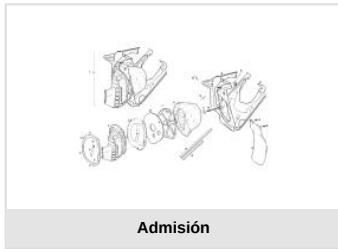




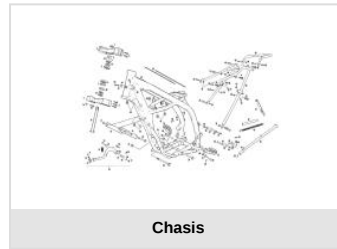
EC - MX - SM 2T ENDURO 125 MARZOCCHI
2004
Exploded



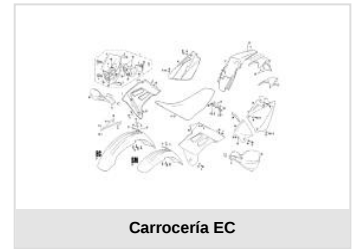
Admisión



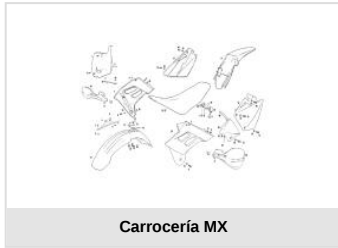
Basculante



Chasis



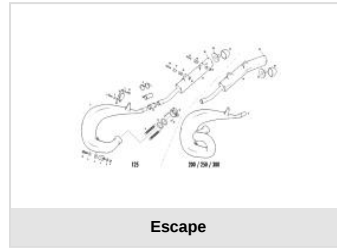
Carrocería EC



Carrocería MX



Depósito carburante



Escape



Adhesivos EC



Adhesivos MX



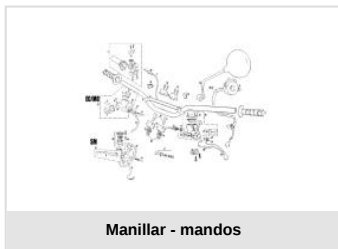
Adhesivos SM



Horquilla delantera marzocchi EC 250-300



Horquilla delantera OHLINS



Manillar - mandos



Rueda delantera EC-MX



Rueda delantera SM



Rueda trasera EC-MX



Rueda trasera SM

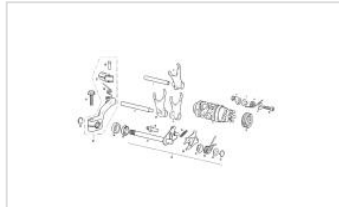


Conjunto de cables



Herramientas de asistencia 125

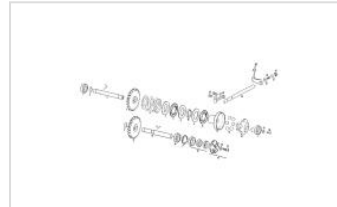
EC - MX - SM 2T 125-200-250-300 2004- Engine



Arbol selector cambio 125



Arbol selector cambio 200-250-300



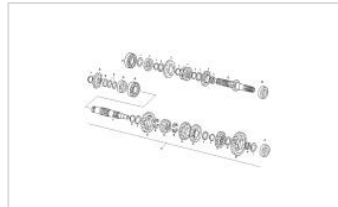
Bomba agua 125



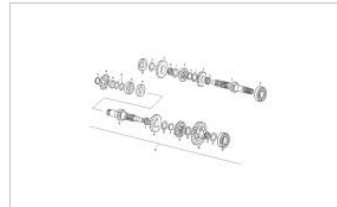
Bomba agua 200-250-300



Cambio 125



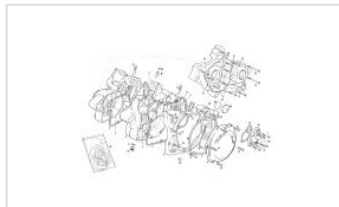
Cambio 200-250-300



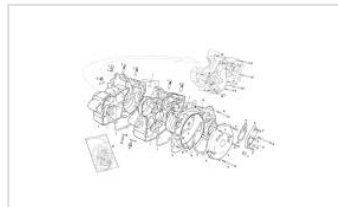
Cambio MX250



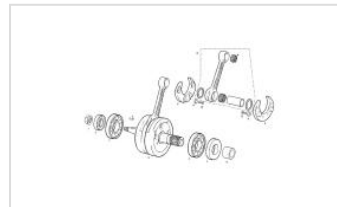
Carburador



Carter de motor 125



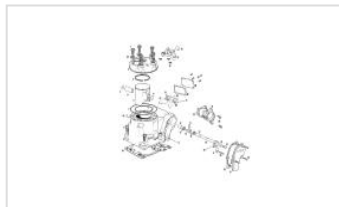
Carter de motor 200-250-300



Cigüeñal 125



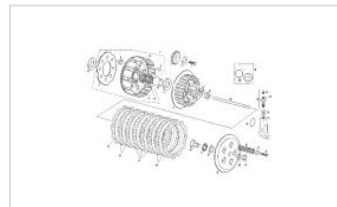
Cigüeñal 200-250-300



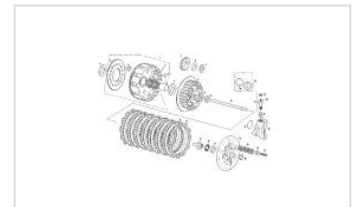
Cilindro 125



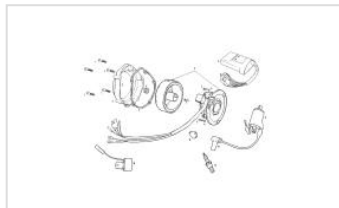
Cilindro 200-250-300



Embrague 125



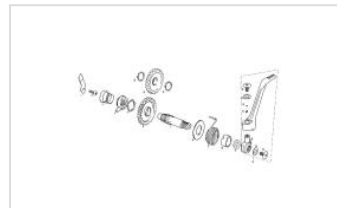
Embrague 200-250-300



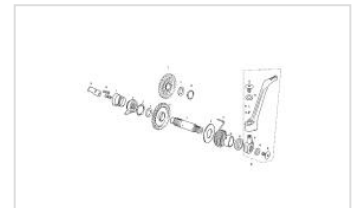
Generador 125



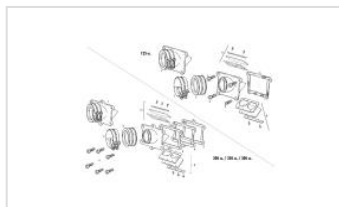
Generador 200-250-300



Palanca de arranque 125



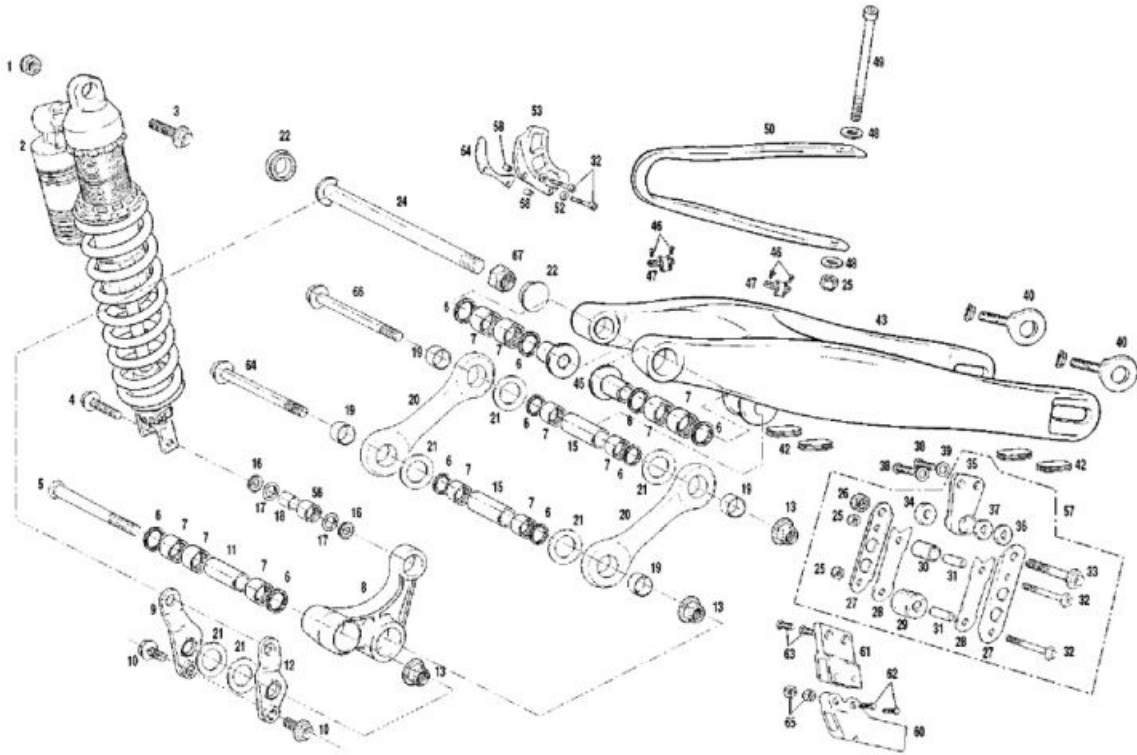
Palanca de arranque 200-250-300



Válvula de láminas

10	VARILLA-PALOM.FILTRO BE25628003 (u. 1)	OBSOLETO
11	SEMI-CAJA ESPUMA FILTRO EC-2001 BE250128016 (u. 1)	
12	PROT.AMORT.EC 2018 0/000.220.9117 (u. 1)	
	PROT.SUSP.TRAS.2740 BE25620008 (u. 1)	OBSOLETO
	PROT.AMORT.EC 2018 BE79555GG-CLJ-1 (u. 1)	OBSOLETO
13	TORN.ESP.M6x25 FIL.20 ROND.D.15 8.8 ZINC T0606025 (u. 1)	OBSOLETO
	TORN.ESP.M6x20 FIL.20 ROND.D.15 8.8 ZINC T0606020 (u. 1)	OBSOLETO
14	SEMI-CAJA TUBERA FILTRO EC-2001 BE250128015 (u. 1)	
15	ABRAZ.COBRA D.21 INOX A2 0/000.680.9105 (u. 1)	
	ABRAZ.COBRA-21 L200046 (u. 1)	OBSOLETO
16	TIRA ADHESIVA 118 mm C.FILTRO.AIRE BE250128029 (u. 1)	
17	TIRA ADHESIVA 180mm C.FILTRO.AIRE BE250128030 (u. 1)	
18	REMACHE 4X12 ALUMINIO T4504012 (u. 1)	OBSOLETO
19	REMACHE 4x18 T4504018 (u. 1)	
20	RESTRICCION FILTRO AIRE ENDURO 2003 BE250328014 (u. 1)	

Basculante



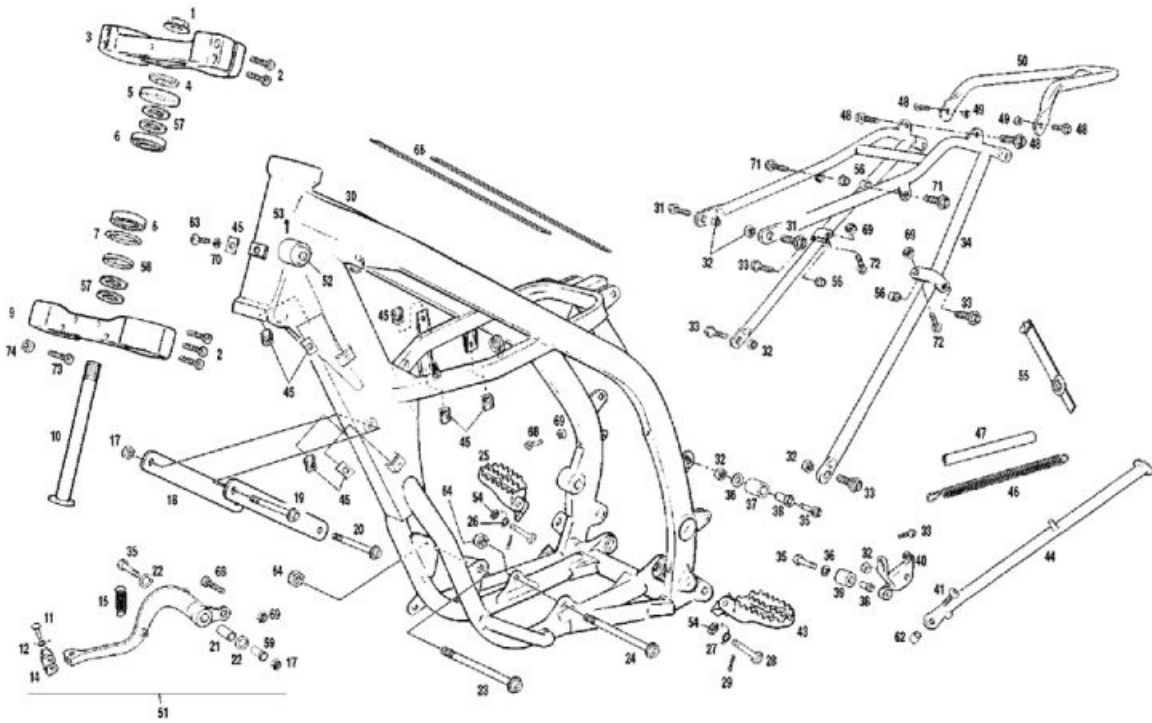
1	TUERCA AUTOBL.M-10 (DIN 985) CLASE (10) T2110001 (u. 1)	
	AMORT.TRAS.GG4920 OHLINS BC250414004 (u. 1)	OBSOLETO
	AMORT.OHLINS K-54 (GG4840) BFS450414004 (u. 1)	OBSOLETO
2	AMORT.GG 481 K-50 OHLINS 2004 BE120414004 (u. 1) - 125	
	AMORT.GG 482 K-52 ENDURO 2004 OHLINS BE250414004 (u. 1)	OBSOLETO
	AMORT.TRAS.TRAIL 400-4T GG483 BTL400214004 (u. 1)	OBSOLETO
3	PERNO 10X60 ISO 898-1 GEOMET 10.9 0/000.460.9131 (u. 1)	
	PERNO 10X55 10.9 GEOMET ISO 898-1 T0210055 (u. 1)	OBSOLETO
4	TORN.ESPE M10X40X1.25 FL.14 ZIN.BL. T0110042 (u. 1)	OBSOLETO
5	TORN.ESP.14X110 1.50 FIL.25 12.9 MEC.INT T0214110R (u. 1)	OBSOLETO
	TORN.ESP.14X110 1.50 FIL.20 IN 12.9 T0214110 (u. 1)	OBSOLETO
6	RETEN 22x28X4 BASC. BE25610011 (u. 1)	OBSOLETO
7	JAULA AGUJAS DIAM.EXT 28 DIAM.INT.22 ANC BE25614010 (u. 1)	

	BALANCIN TT BE25614005 (u. 1)	
8	BALANCIN EC COMP. BE25614005CT (u. 1)	OBSOLETO
	BALANCIN EC COMP. BE250514005CT (u. 1)	
9	SOP.BALANCIN DCH.O.ALUMINIO BE250314006 (u. 1)	
10	TORN.ESP.12X25X1.25 FIL.20 12.9 T02012025 (u. 1)	OBSOLETO
	TORN.ESP.12X25X1.25 FIL.20 12.9 GEOMET 0/000.460.9114 (u. 1)	
11	CASQ.14X22X62.5 BE25612005 (u. 1)	
12	SOP.BALANCIN IZQDO.ALUMINIO BE250314007 (u. 1)	
13	TUERCA AUTOBLOC.M14X150 CLASE 10 REBAJAD T2114003 (u. 1)	
	SWINGARM NUT T2114001 (u. 1)	OBSOLETO
15	CASQ.14X22X57 BE25612014 (u. 1)	
16	ARANDELA REGL.21X10.2X1 T4001022 (u. 1)	
17	TORICA BIELETA 15X3.5 BE25814015 (u. 1)	
18	CASQ.INF.AMORT.D.16X21x10 (BALANCIN) BE25642005 (u. 1)	
19	CASQ.BIELETA TT BE25642002 (u. 1)	
20	BIELETA 123 EC125cc BE120114008 (u. 1) - 125	
	BIELETA CROSS 122 BC250014008 (u. 1) - 200-250-300	
21	ARANDELA 22.4x36X0.7 REGLAJE CASQ.BASC y T4022036 (u. 1)	
22	TAP.BASCUL.8927 G230000 BE25636001 (u. 1)	OBSOLETO
	TAP.BASCUL.8927 =BE25636001 G230000 (u. 1)	OBSOLETO
24	EJE BASCUL.EC250-2003 BE250312008 (u. 1)	
25	TUERCA AUTOBL.M-6 ALTA(CEX) T2106002 (u. 1)	OBSOLETO
26	TUERCA AUTOBLOCANTE M-8 BAJA DIN 985 ZINC. T2108001 (u. 1)	OBSOLETO
	TUERCA AUTOBL.M-8 BAJA DIN 985 ZINC 0/000.340.9114 (u. 1)	
27	PLATINA GUIA CADENA BE25912017 (u. 1)	
28	TIRA NYLON ANTIRUIDO TT BE25612022 (u. 1)	
29	RODILLO GUIA CAD.13.5X32X23.5 BE25610032 (u. 1)	
30	RODILLO GUIA CAD.SUP.65414 BE25610014 (u. 1)	

31	CASQ.GUIA CADE.TT BE25610025 (u. 1)	
32	TORN.ESP.6x40 Fil.20 GEOMET 10.9 0/000.460.9125 (u. 1)	
	TORN.ESP.6x40 Fil.20 GEOMET 10.9 0/000.460.9125 (u. 1)	
33	TORN.ESP.6X45 8.8 ZINC. T0206045 (u. 1)	OBSOLETO
	TORN.ESP.8X45 8.8 ZINC. T0208045 (u. 1)	OBSOLETO
34	BIG CHAIN GUIDE SUPPORT SPACER BE25612021 (u. 1)	OBSOLETO
35	SOPOR.GUIA CADENA BE25612018 (u. 1)	OBSOLETO
36	DISTANC.SOP.GUIA CADENA PEQ. BE25612020 (u. 1)	OBSOLETO
	CASQ.6.25X25X3.5 T90062250004K (u. 1)	OBSOLETO
37	CHAIN GUIDE HOLDER SILENBLOCK BE25612019 (u. 1)	OBSOLETO
38	EXAG.8X20 (DIN 933) TODO ROS. T0108020 (u. 1)	OBSOLETO
39	ARANDELA DE 8X16X1,5 T4008016 (u. 1)	OBSOLETO
	GUARNIZ. FISSAGGIO TELAIO PARTE POST. 0/000.440.0160 (u. 1)	
40	TENSOR RUEDA 2004 BE250418022 (u. 1)	OBSOLETO
	CTO.TENSOR RUEDA 2004 BE250418022CT (u. 1)	
42	GOMA PROT.BASCUL. BE25836005 (u. 1)	
43	BASCUL.EC2001 BE250112002 (u. 1)	OBSOLETO
	BASCUL.EC-NG. BE250612002RC (u. 1)	
45	CASQ.BASCUL.EC2003 BE250312007 (u. 1)	
46	ULS 5X12 T0505012 (u. 1)	OBSOLETO
47	SUJ.LATIG.SOBRE BASC. BE25612006 (u. 1)	OBSOLETO
	SUJ.LATIG.SOBRE BASC. 0/000.630.9101 (u. 1)	
48	ARANDELA 6X18X1.5 DIN 9021 ZINC 0/000.440.9126 (u. 1)	
	ARANDELA 6X18X1.5 (DIN 9021) T4006018 (u. 1)	OBSOLETO
49	ALLEN 6 X 100 12.9 T03060100 (u. 1)	
50	PATIN CADENA EC-FSR 2008 BE420502508 (u. 1)	
	PATIN CADENA EC-2001 BE250112015 (u. 1)	OBSOLETO

52	ARANDELA PLANA 6X12X1.5 DIN 125 ZINC 0/000.440.9124 (u. 1)	
	ARANDELA PLANA 6X12X1.5 (DIN 125) T4006012 (u. 1)	OBSOLETO
53	PROT.PIÑON PLASTICO ENDURO ME250036121 (u. 1)	OBSOLETO
	PROT.PIÑON PLASTICO NG.EC-2008 BE486002508 (u. 1)	
54	PLATINA PROT.PIÑON ME25636021 (u. 1)	
56	JAULA AGUJAS DL1612 (IGBM2212) BE25614009 (u. 1)	
57	CTO.GUIA CADENA COMP.EC-2009 BE42000CT2509 (u. 1)	
	TENSOR CADENA COMP.EC BE25612018CT (u. 1)	OBSOLETO
58	CASQ.DIST.PIÑON ME250036019 (u. 1)	OBSOLETO
	CASQ.DIST.PIÑON 0/000.980.9112 (u. 1)	
60	Chain Guide Rubber Block,Pampera BC250212028 (u. 1)	OBSOLETO
	GUIA CADENA ABIERTA BE420002511 (u. 1)	
61	SOP.GUIA CADENA CROSS 250-2002 BC250221018 (u. 1) - MX	
62	TORN.ESP.6X45 8.8 ZINC. T0206045 (u. 1)	OBSOLETO
	TORN.ESP.6x40 Fil.20 GEOMET 10.9 0/000.460.9125 (u. 1)	
	TORN.ESP.6x40 Fil.20 GEOMET 10.9 0/000.460.9125 (u. 1)	
63	ALLEN 8X20 T0308020 (u. 1) - MX	
64	TORN.ESP.14X95X1.5 FIL.20 12.9 MEC.INT. T0201495R (u. 1)	OBSOLETO
	TORN.ESP.14X100X1.50 FIL.20 IN 12.9 T02014100 (u. 1)	OBSOLETO
65	TUERCA AUTOBLOC. M-6 C/ARAND DIN-6926 ZINC 0/000.340.9117 (u. 1)	
	TUERCA AUTOBLOC.DIN-6926 M-6 C/ARAND ZN T2206002 (u. 1)	OBSOLETO
66	TORN.ESP.14x95x1.5 FIL.20 IN 12.9 T0201495 (u. 1)	OBSOLETO
	TORN.ESP.14X95X1.5 FIL.20 12.9 MEC.INT. T0201495R (u. 1)	OBSOLETO
67	TUERCA BASC.TT 49650 BE25612009 (u. 1)	OBSOLETO
	TUERCA BASC.TT 49650 0/000.340.9103 (u. 1)	

Chasis



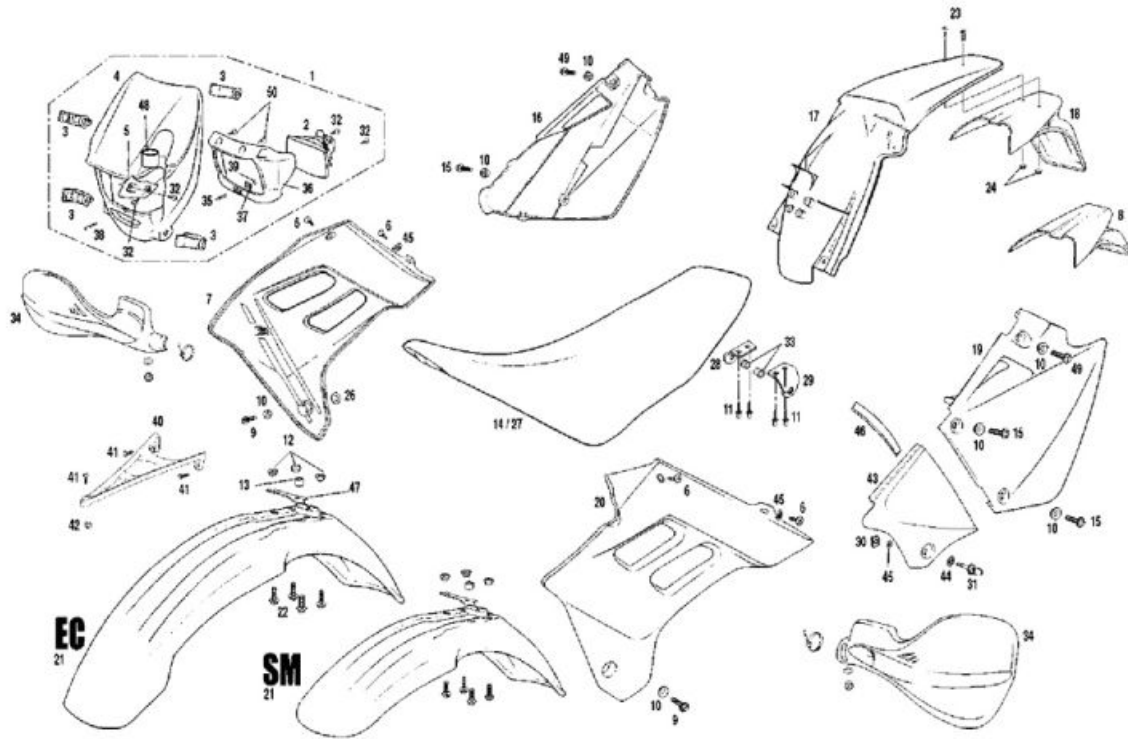
1	TUERCA DIR.SUP. 0/000.340.9102 (u. 1)	
	TUERCA DIR.SUP. BE25610030 (u. 1)	OBSOLETO
2	ALLEN 7X30 DIN 912 ZINC 12.9 0/000.460.9151 (u. 1)	
	ALLEN DIN 912 7X30 12.9 ZN T0307030 (u. 1)	OBSOLETO
3	BRIDA SUP.SUSP.2004 BE250414001 (u. 1) - SM	
4	TUERCA DIR.INFE. 0/000.340.9101 (u. 1)	
	TUERCA DIR.INFE. BE25610029 (u. 1)	OBSOLETO
5	GUARDAPOLVO COJ.DIR.TT BE25610126 (u. 1)	OBSOLETO
	GUARDAPOLVO COJ.DIR.TT BLANCO 0/000.200.9102 (u. 1)	
6	COJINETE DIR.30205A BE25610008 (u. 1)	OBSOLETO
	COJINETE DIR.30205A 0/000.960.9101 (u. 1)	
7	TORICA DIR.50X5 0/000.490.9102 (u. 1)	
	TORICA DIR.50X5 BE25610012 (u. 1)	OBSOLETO
9	BRIDA INF.EC250-2001 OHLINS D.58.4 BE250114002 (u. 1)	OBSOLETO
	BRIDA INF.SUSP.CROSS2002 BC250214002 (u. 1)	OBSOLETO

10	EJE DIR. BE25614003 (u. 1) - SM	
11	REMACHE PUNTERA PEDAL FRENO 23X5.8 BE25922018 (u. 1) - SM	
13	MUELLE PUNTERA PEDAL CAMBIO ME25636029 (u. 1) - SM	
14	PUNTERA PEDAL FRENO BT27922017 (u. 1)	OBSOLETO
15	MUELLE PEDAL FRENO BE25610023 (u. 1) - SM	
17	TUERCA AUTOBL + ARANDELA M8 ZINC 0/000.340.9119 (u. 1)	
	TUERCA AUTOBL+ARANDELA M8 T2208002 (u. 1)	OBSOLETO
18	TIRANTE CULATA TT 99 BE25910050 (u. 1) - SM	
19	TORN.ESP.8X65 FIL.20 8.8 T0208065 (u. 1)	OBSOLETO
20	TORN.ESP.8X70 FIL.20 12.9 ZINC. T0208070 (u. 1) - SM	
21	GLACIER PEDAL FRENO DAP 1220P10E BE250010009 (u. 1) - SM	
22	TORICA D-11x2=M01016100=ME25610026 ME250036063 (u. 1) - SM	
23	TORN.MOTOR M10x118 T0210118 (u. 1)	OBSOLETO
24	TORN.MOTOR LARGO M10X128 T0210128 (u. 1)	OBSOLETO
25	CTO.ESTRIBOS COMP.S EC-2013(CEX) ESK-569 BE14000CT2509/2 (u. 1)	
	ESTRIBO DCH.EC-2000 BE250010002 (u. 1)	OBSOLETO
26	MUELLE ESTRIBO DCH. BE25610037 (u. 1) - SM	
27	MUELLE ESTRIBO IZD. BE25610038 (u. 1) - SM	
28	CASQUILLO PASADOR ESTRIBOS BE14025GG-CAB-1 (u. 1)	OBSOLETO
	CASQ.ESTRIBO TT-96 BE25610006 (u. 1) - SM	
	CASQUILLO PASADOR ESTRIBOS 0/000.480.9101 (u. 1)	
29	CLAVILLA ZINC.3X35 (DIN 94) PASADOR ESTR BE25622022 (u. 1) - SM	
30	CHASIS EC125-2004 BE120410000 (u. 1)	OBSOLETO
	CHASIS CR250-2004 BC250410000 (u. 1)	OBSOLETO
	CHASIS CR125-2004 BC120410000 (u. 1) - MX125	
31	TORN.ESP.8x25 12.9+DIST.5mm T02080255 (u. 1)	OBSOLETO
32	TUERCA AUTOBL.M-8 BAJA DIN 985 ZINC 0/000.340.9114 (u. 1)	
	TUERCA AUTOBLOCANTE M-8 BAJA DIN 985 ZINC. T2108001 (u. 1)	OBSOLETO

33	TORN.ESP.8x20 8.8 ZINC. T0208020 (u. 1) - SM	
34	COLA CHASIS EC-2000 ALUMINIO BE250010001 (u. 1)	
35	TORN.ESP.8X45 8.8 ZINC. T0208045 (u. 1)	OBSOLETO
36	ARANDELA 8X20X1.5 T4008020 (u. 1)	
37	RODILLO GUIA CAD.SUP.65414 BE25610014 (u. 1)	
38	CASQ.ROD.8.5 X 16 X 31.5 BE25612016 (u. 1)	
39	RODILLO GUIA CAD.13.5X32X23.5 BE25610032 (u. 1)	
40	SOP.CABALLETE EC250-2002 BE250212023 (u. 1)	
41	ULS 8X30 CAV. T0508030 (u. 1)	
43	CTO.ESTRIBOS COMP.S EC-2013(CEX) ESK-569 BE14000CT2509/2 (u. 1)	
	ESTRIBO IZQ.EC-2000 BE250010003 (u. 1)	OBSOLETO
44	CABALLETE EC-2001 BE250112010 (u. 1)	OBSOLETO
	CABALLETE EC 2010 BE142002510 (u. 1)	
45	CABALLETE EC250 SM BE250112010SM (u. 1)	OBSOLETO
	TUERCA NUT 956 M-6 HRC 40/48 T2606000 (u. 1)	OBSOLETO
	TUERCA NUT 956 RAPIDA M-6 HRc 40/48 0/000.340.9120 (u. 1)	
46	MUELLE CABALLETE+TUBO RETRACTIL BE250410039 (u. 1)	
	MUELLE CABALLETE=M120000 BE25610039 (u. 1)	OBSOLETO
47	TUBO PLASTICO PROT.MUELLE CAB.D-13X BT27912050 (u. 1)	OBSOLETO
48	TORN.ESP.6X25 DIN 6921 GEOMET 10.9 VALONA 11MM 0/000.460.9121 (u. 1)	
	TORN.ESP.6X25(10.9) VALONA 11MM T0206025 (u. 1)	OBSOLETO
49	TUERCA AUTOBL.M-6 ALTA(CEX) T2106002 (u. 1)	OBSOLETO
50	COLIN SOP.GUARDA.TRAS.ALUMINIO BE250010018 (u. 1)	
51	CTO.PEDAL FRENO EC-2000 BE250022021 (u. 1)	OBSOLETO
	CTO.PEDAL FRENO ENDURO 2010 BE13000CT2510 (u. 1)	
52	CTO.ANTIRROBO+REMACHES EC-2000 BE250010075 (u. 1)	
53	CTO.REMACHE ANTIRROBO EC (2 u.) BE250010076 (u. 1)	OBSOLETO

54	ARANDELA 10x21x2 T4010021 (u. 1)	OBSOLETO
	ARANDELA 10.5x19x2 T4001019 (u. 1)	OBSOLETO
55	GOMA SUJ.CDI 0/000.360.9101 (u. 1)	
	GOMA SUJ.CDI BE250034100 (u. 1)	OBSOLETO
56	TUERCA REMACH.M6 REF.23307060230 CILINDR BE250010070 (u. 1)	OBSOLETO
	TUERCA REMACH.M6 REF.23307060230 CILINDR BE250010070/2 (u. 1)	
57	ARANDELA DIR.INF. 0/000.440.9101 (u. 1)	
	ARANDELA DIR.INF. BE25610028 (u. 1)	OBSOLETO
58	CAZOLETA DIR. BE25610026 (u. 1)	OBSOLETO
59	CASQ.SOP.PEDAL FRENO EC250-2002 BE250210916 (u. 1)	
62	CASQ.CABALLETE EC250-2001 BE250112011 (u. 1)	
63	TORNILLO ULS 6X16 ISO 7380-1 ZINC 12.9 T0506016 (u. 1)	
64	TUERCA AUTOBL.M-10 (DIN 985) CLASE (10) T2110001 (u. 1)	
66	TIRA GOMA ADH.LAT.ES CHASIS 26cm(CEX) BE25638018 (u. 1)	
68	EXAG.6x25 8.8 (DIN 933) T0106025 (u. 1)	OBSOLETO
69	TUERCA AUTOBL.BAJA M-6 DIN 985 ZN CR3 6 0/000.340.9113 (u. 1)	
	TUERCA AUTOBL.BAJA M-6 (DIN 985) T2106001 (u. 1)	OBSOLETO
70	ARANDELA PLANA 6X12X1.5 (DIN 125) T4006012 (u. 1)	OBSOLETO
	ARANDELA PLANA 6X12X1.5 DIN 125 ZINC 0/000.440.9124 (u. 1)	
71	ULS 6X25 CLAX,RADI. T0506025 (u. 1)	
72	TORN.ESP.M6x20 FIL.20 ROND.D.15 8.8 ZINC T0606020 (u. 1)	OBSOLETO
	TORN.ESP.M6x25 FIL.20 ROND.D.15 8.8 ZINC T0606025 (u. 1)	OBSOLETO
73	ALLEN 8x16 T0308016 (u. 1)	
74	Serrated 8mm Nut T2208000 (u. 1)	OBSOLETO
	TUERCA+ARAN.ESTR.M-8 ZINCADA T2208001 (u. 1)	OBSOLETO
	TUERCA ESTRIADA M-8 DIN 6927 ACERO 8 0/000.340.9118 (u. 1)	

Carrocería EC



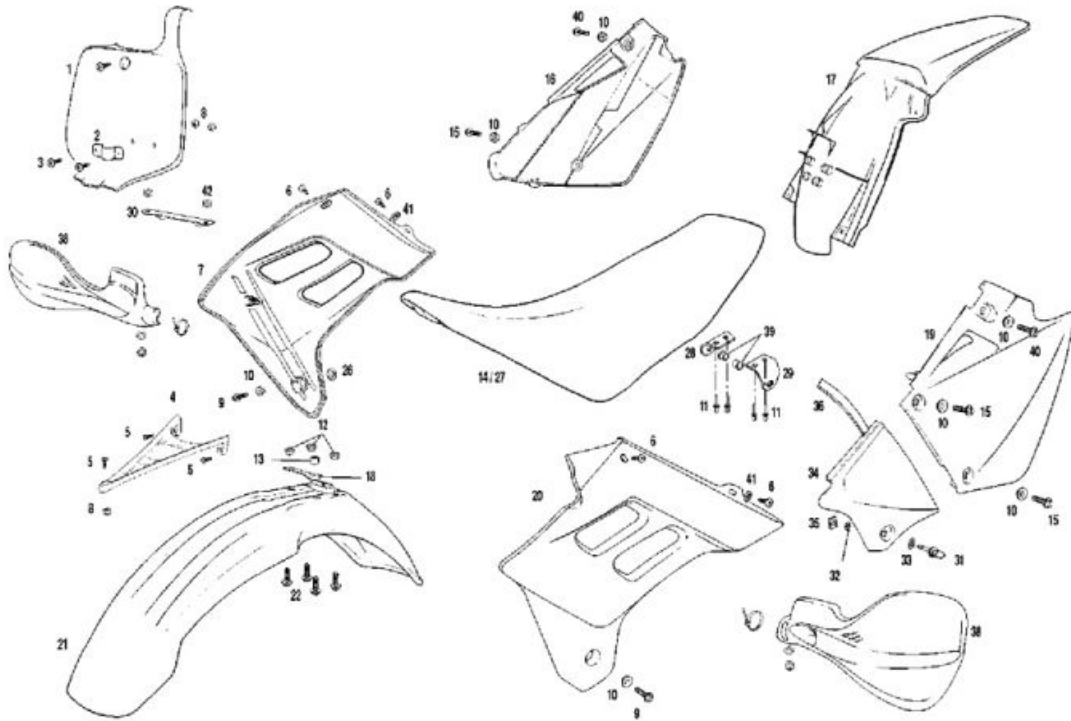
	PORTAFAROS DEL.EC300-2004 BE300420020CT (u. 1)	OBSOLETO
1	PORTAFAROS DEL.EC250-2004 BE250420020CT (u. 1)	OBSOLETO
	PORTAFARO DEL.EC125-2004 COMP. BE120420020CT (u. 1)	OBSOLETO
2	OPTICA 307.17 (Reg.57) BE250220024 (u. 1)	
3	GOMA SUJETA FARO D.38 PP HP2070291G 0/000.360.9102 (u. 1)	
	GOMA SUJETA FARO D.38 PP HP2070291G BE25636015 (u. 1)	OBSOLETO
4	FRONT HEADLAMP GRANADA BE300420020 (u. 1)	OBSOLETO
	FARO DEL.AMARILLO BE120420020 (u. 1) - AMARILLO	
	FRONT HEADLAMP EC250 RED BE250420020 (u. 1)	OBSOLETO
5	TAPETA GUIA CABLE FARO GRANADA AZ. BX300120023 (u. 1)	OBSOLETO
	TAPETA GUIA CABLE FARO GRANADA AMARILLO BX200120023 (u. 1)	OBSOLETO
	TAPETA GUIA CABLE FARO GRANADA 2001 ROJO BX250120023 (u. 1)	OBSOLETO
6	TORN.CHAPA PHILIPS 4.8x13 0134 04813 T0606013 (u. 1)	
7	TAPA LAT.RAD.DCH.O EC250-2004 BE250420012 (u. 1) - ROJO	
	TAPA LAT.RAD.DCH.O EC300-2004 BE300420012 (u. 1) - AZUL	

8	PORTAMATRICULAS EC 2004 BE250420003 (u. 1)	
	PORTAMATRICULAS RACING BE250121003 (u. 1)	OBSOLETO
9	TORN.ESP.6X16 10.9 ZINC. T0206016 (u. 1)	OBSOLETO
	TORN.ESP.6X16 DIN 6921 ZINC.10.9 0/000.460.9119 (u. 1)	
10	CASQ.TAPA RAD.ALUMINIO(CEX) BE250032060 (u. 1)	
11	REMACHE LACADO NG.4.8x12 T4504812N (u. 1)	OBSOLETO
	SEAT RIVET 14X48X14 BE25610017 (u. 1)	OBSOLETO
12	CASQ.GUARDAB.+VALONA BE250014118 (u. 1)	
13	CASQ.GUARDAB.DEL. BE25714118 (u. 1)	OBSOLETO
14	SILLIN EC250-2004 BE250410015 (u. 1)	OBSOLETO
	CTO.SILLIN EC 250-2005 BE250510015CT (u. 1)	OBSOLETO
15	TORN.ESP.6x20 10.9 ZINC.(CEX) T0206020 (u. 1)	OBSOLETO
	TORN.ESP.6x20 DIN 6921 GEOMET 10.9 0/000.460.9120 (u. 1)	
16	PLACA LAT.DCH. BE250520004R (u. 1)	
	PORTANUM.LAT.DCH.O AZ.EC300-2004 BE300420004 (u. 1)	OBSOLETO
	RIGHT SIDE COVER EC250 RED BE250420004 (u. 1)	OBSOLETO
	PORTANUMS.LAT.DCH.O.AMAR BE120420004 (u. 1) - AMARILLO	
17	GUARDAB.TRAS.EC125-2004 BE120420007 (u. 1)	OBSOLETO
	GUARDAB.TRAS.EC250 2004 BE250420007 (u. 1)	OBSOLETO
	GUARDAB.TRAS.EC250-2006 BE250620007 (u. 1)	
	GUARDAB.TRAS.EC300-2004 BE300420007 (u. 1)	OBSOLETO
	GUARDAB.TRAS.EC300-2006 BE300620007 (u. 1)	
18	PORTAMATRICULAS EC 2004 BE250420003 (u. 1)	
19	PORTANUM.LAT.IZQ.AZ.300-2004 BE300420005 (u. 1) - AZUL	
	PORTANUMS.LAT.IZQ.AMAR. BE120420005 (u. 1) - AMARILLO	
	PORTANUM.LAT.IZQ.ROJO EC250 2004 BE250420005 (u. 1) - ROJO	
20	TAPA LAT.RAD.IZDA.EC300-2004 BE300420013 (u. 1) - AZUL	
	TAPA LAT.RAD.IZDA.EC250 2004 BE250420013 (u. 1) - ROJO	

	GUARDAB.DEL.EC300-2004 BE300420006 (u. 1)	OBSOLETO
21	GUARDAB.DEL.EC125-2004 BE120420006 (u. 1) - <i>AMARILLO</i>	
	GUARDAB.DEL.EC250 2004 BE250420006 (u. 1)	OBSOLETO
22	TORN.ESP.M6x25 FIL.20 ROND.D.15 8.8 ZINC T0606025 (u. 1)	OBSOLETO
23	Flat/Philips/Coin Bolt 6X25 T0706025 (u. 1)	OBSOLETO
	TORN.PHILIPS M6x20 T0706020 (u. 1)	OBSOLETO
24	TUERCA AUTOBL.M-6 ALTA(CEX) T2106002 (u. 1)	OBSOLETO
26	ARANDELA NYLON 6,5x16x1 T06065017 (u. 1)	OBSOLETO
27	FUNDA SILLIN TT2004 BE250410055 (u. 1)	OBSOLETO
	FUNDA SILLIN 2005 BE250510055 (u. 1)	
28	SOP.SILLIN DCH.ALUMINIO BE250010019 (u. 1)	
29	SOP.SILLIN IZQ.ALUMINIO BE250010020 (u. 1)	
30	CIERRE RAPIDO DZUS 334-300-190 TAPA LAT. BE250128026 (u. 1)	
31	TORN.CIERRE RAPIDO DZUS 314-417-170 BE250128027 (u. 1)	OBSOLETO
32	Phillips Screw 3.5x13 T0603513 (u. 1)	OBSOLETO
	TORN.ROSCA CHAPA 3x9 T1003009 (u. 1)	OBSOLETO
33	TUERCA REMACH.M6 REF.23307060230 CILINDR BE250010070/2 (u. 1)	
	TUERCA REMACH.M6 REF.23307060230 CILINDR BE250010070 (u. 1)	OBSOLETO
34	JUEGO PARAMANOS HD2050N TRAIL GC BTL400220034GC (u. 1)	
35	MUELLE TORN.REG.OPTICA BX250020026 (u. 1)	OBSOLETO
	MUELLE TORN.REG.OPTICA 0/000.470.9107 (u. 1)	
36	PORTAOPTICA FARO GRANADA 2000 BX250020027 (u. 1)	OBSOLETO
37	GRAPA REG.FARO GRANADA 02130035 BX250020029 (u. 1)	OBSOLETO
38	LAMP REG ALLEN T0304035 (u. 1)	OBSOLETO
39	TUERCA TORN.REG.OPTICA HP2070286G T2004000 (u. 1)	OBSOLETO
40	TIRANTE GUARDAB.DEL.EC250-2002 BE250220039 (u. 1)	OBSOLETO
41	ULS 6X20 ZINC. T0506020 (u. 1)	

42	TUERCA+ARAN.M-6 (DIN 6923) ESTR. T2206000 (u. 1)	OBSOLETO
	TUERCA+ARAN.M-6 ESTR. DIN 6923 ZINC 8 0/000.340.9116 (u. 1)	
43	TAPA LAT.C.FILTRO.EC-2001 BE250128025 (u. 1)	
44	ARANDELA 5X12X1.5 T4005012 (u. 1)	OBSOLETO
	ARANDELA 5X12X1.5 DIN 125A ZINC 0/000.440.9121 (u. 1)	
45	ARANDELA NYLON 4,5x14x1 T6004141 (u. 1)	
46	JUNTA ESPUMA T.FILTRO.EC250-2002 BE250228031 (u. 1)	
47	GUIA CABLE ENDURO 2004 BE250420016 (u. 1)	OBSOLETO
48	SUJ.RESTRICCION AIRE HOMOL. BE25920053 (u. 1)	
49	TORN.ESP.6X25(10.9) VALONA 11MM T0206025 (u. 1)	OBSOLETO
	TORN.ESP.6X25 DIN 6921 GEOMET 10.9 VALONA 11MM 0/000.460.9121 (u. 1)	
50	TORN.ROSCA CHAPA 3x9 T1003009 (u. 1)	OBSOLETO

Carrocería MX

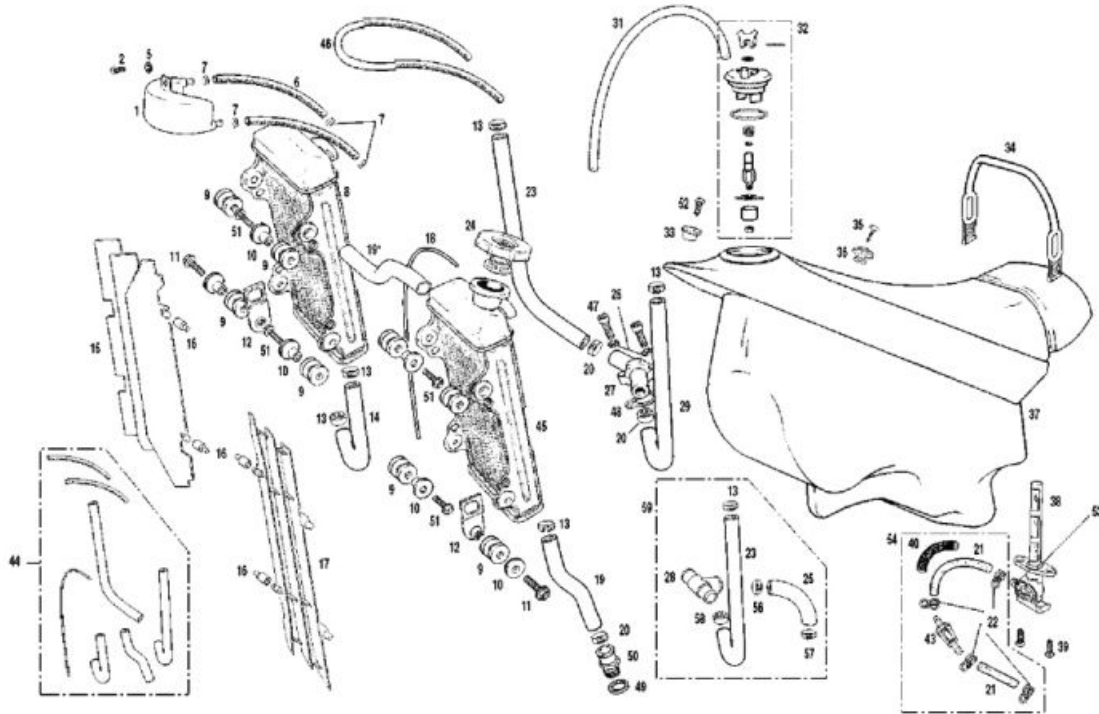


1	PLACA PORTANUMEROS REF. 2853 BC250220020 (u. 1)	OBSOLETO
2	GUIA LATIGUILLO 2464 NERO BC250220009 (u. 1)	OBSOLETO
3	TORNILLO ULS 6X16 ISO 7380-1 ZINC 12.9 T0506016 (u. 1)	
4	TIRANTE GUARDAB.DEL.EC250-2002 BE250220039 (u. 1)	OBSOLETO
5	ULS 6X20 ZINC. T0506020 (u. 1)	
6	TORN.CHAPA PHILIPS 4.8x13 0134 04813 T0606013 (u. 1)	
7	PLACA LAT.DCH.A.CROSS 2003 BC250320012 (u. 1) - ROJO PLACA LAT.RAD.DCH.A.CROSS 125-2003 BC120320012 (u. 1) - AMARILLO	
8	TUERCA+ARAN.M-6 ESTR. DIN 6923 ZINC 8 0/000.340.9116 (u. 1) TUERCA+ARAN.M-6 (DIN 6923) ESTR. T2206000 (u. 1)	OBSOLETO
9	TORN.ESP.6X16 10.9 ZINC. T0206016 (u. 1) TORN.ESP.6X16 DIN 6921 ZINC.10.9 0/000.460.9119 (u. 1)	OBSOLETO
10	CASQ.TAPA RAD.ALUMINIO(CEX) BE250032060 (u. 1)	
11	REMACHE LACADO NG.4.8x12 T4504812N (u. 1) SEAT RIVET 14X48X14 BE25610017 (u. 1)	OBSOLETO OBSOLETO

12	CASQ.GUARDAB.+VALONA BE250014118 (u. 1)	
13	CASQ.GUARDAB.DEL. BE25714118 (u. 1)	OBSOLETO
14	CTO.SILLIN EC 250-2005 BE250510015CT (u. 1)	OBSOLETO
	SILLIN EC250-2004 BE250410015 (u. 1)	OBSOLETO
15	TORN.ESP.M6x25 FIL.20 ROND.D.15 8.8 ZINC T0606025 (u. 1)	OBSOLETO
	TORN.ESP.M6x20 FIL.20 ROND.D.15 8.8 ZINC T0606020 (u. 1)	OBSOLETO
16	PORTANUM.LAT.DCH.O.ROJO EC250-2003 BE250320004 (u. 1)	OBSOLETO
17	GUARDAB.TRAS.EC125-2003 BE120320007 (u. 1) - AMARILLO	
	REAR FENDER EC250 RED BE250320007 (u. 1)	OBSOLETO
18	GUIA CABLE ENDURO 2004 BE250420016 (u. 1)	OBSOLETO
19	PORTANUM.LAT.IZQ.ROJO EC250-2003 BE250320005 (u. 1)	OBSOLETO
	PORTANUMS.LAT.IZQ.AMARILLO BE120320005 (u. 1)	OBSOLETO
20	PLACA LAT.RAD.IZDA.CROSS 125-2003 BC120320013 (u. 1) - AMARILLO	
	PLACA LAT.RAD.IZDA CROSS 2003 BC250320013 (u. 1) - ROJO	
21	GUARDAB.DEL.EC125-2003 BE120320006 (u. 1) - AMARILLO	
	GUARDAB.DEL.EC250-2003 BE250320006 (u. 1)	OBSOLETO
	FRONT FENDER BE250220006 (u. 1)	OBSOLETO
	GUARDAB.DEL.ROJO BP120720006 (u. 1)	
23	TORN.PHILIPS M6x20 T0706020 (u. 1)	OBSOLETO
26	ARANDELA NYLON 6,5x16x1 T06065017 (u. 1)	OBSOLETO
27	FUNDA SILLIN 2005 BE250510055 (u. 1)	
	FUNDA SILLIN TT2004 BE250410055 (u. 1)	OBSOLETO
28	SOP.SILLIN DCH.ALUMINIO BE250010019 (u. 1)	
29	SOP.SILLIN IZQ.ALUMINIO BE250010020 (u. 1)	
30	FRONT COVER SUPPORT BC250220032 (u. 1)	OBSOLETO
	PLACA PORTANUMEROS DELANTERA CROSS COUNTRY 2018 BLANCA BE90500GG-MXC-1 (u. 1)	
31	CIERRE RAPIDO DZUS 334-300-190 TAPA LAT. BE250128026 (u. 1)	
32	NYLON WASHER BE250128028 (u. 1)	OBSOLETO

33	ARANDELA 5X10X1 DIN 125 ZINC 0/000.440.9120 (u. 1)	
	ARANDELA 5X10X1 (DIN 125) T4005010 (u. 1)	OBSOLETO
34	TAPA LAT.C.FILTRO.EC-2001 BE250128025 (u. 1)	
35	TORN.CIERRE RAPIDO DZUS 314-417-170 BE250128027 (u. 1)	OBSOLETO
36	JUNTA ESPUMA T.FILTRO.EC250-2002 BE250228031 (u. 1)	
38	JUEGO PARAMANOS HD2050N TRAIL GC BTL400220034GC (u. 1)	
39	TUERCA REMACH.M6 REF.23307060230 CILINDR BE250010070 (u. 1)	OBSOLETO
	TUERCA REMACH.M6 REF.23307060230 CILINDR BE250010070/2 (u. 1)	
40	TORN.ESP.6X25 DIN 6921 GEOMET 10.9 VALONA 11MM 0/000.460.9121 (u. 1)	
	TORN.ESP.6X25(10.9) VALONA 11MM T0206025 (u. 1)	OBSOLETO
41	ARANDELA NYLON 4,5x14x1 T6004141 (u. 1)	
42	GOMAS RAD.A CHASIS =BE25632003 G220000 (u. 1)	OBSOLETO
	GOMAS RAD.A CHASIS =BE25632003 0/000.360.9112 (u. 1)	

Depósito carburante



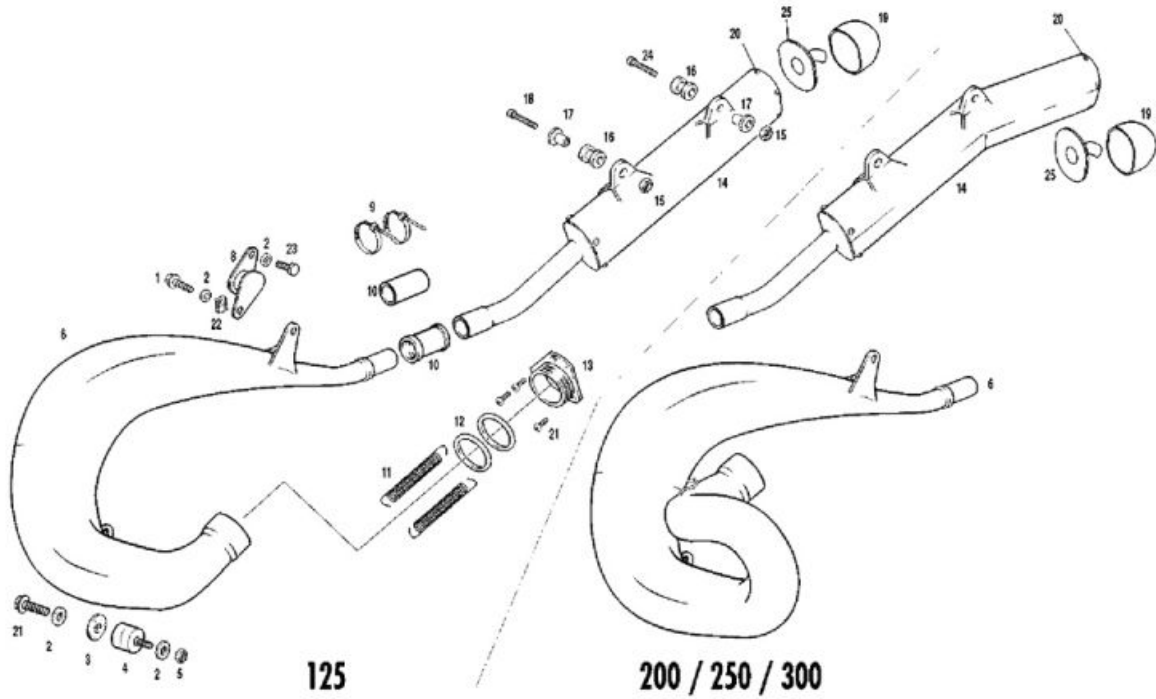
1	EXPANSION TANK BE250132005 (u. 1)	OBSOLETO
2	TORNILLO ULS 6X16 ISO 7380-1 ZINC 12.9 T0506016 (u. 1)	
5	ARANDELA PLANA 6X12X1.5 (DIN 125) T4006012 (u. 1)	OBSOLETO
	ARANDELA PLANA 6X12X1.5 DIN 125 ZINC 0/000.440.9124 (u. 1)	
6	TUBO.RAD.AL VASO ESPANSION BE25632008 (u. 1)	
7	ABRAZ.MUELLE D.12.9-13.6 AMARILLO 020161 BE250210047 (u. 1)	
8	RAD.DRC.TT-96 REF.45234 BE25632000 (u. 1)	OBSOLETO
	RAD.DCH.EC125-2014 (213.118) BE700001213 (u. 1)	
	RIGHT RADIATOR BE120132000 (u. 1)	OBSOLETO
	KIT SUBSTITUCION RADIADOR DCHO EC 96-2006 BE250532000 (u. 1)	
9	GOMA TOPE RAD.49100025 BIE500132031 (u. 1)	
10	CASQ.INF.SUJ.RAD. BE25832040 (u. 1)	
11	TORN.ESP.6X16 DIN 6921 ZINC.10.9 0/000.460.9119 (u. 1)	
	TORN.ESP.6X16 10.9 ZINC. T0206016 (u. 1)	OBSOLETO
12	PLASTICO LAT.RAD. BE25632015 (u. 1)	

13	ABRAZ.COBRA DE 22 L200038 (u. 1)	
14	TUBO RAD.INF.DCH.O.EC125-2001 BE120132006 (u. 1) - 125	
	TUBO RAD.INF.DCH.TT 250-96 BE25632006 (u. 1) - 200-250-300	
15	REJILLA RAD.L 49100090W BE25620001 (u. 1)	
16	RADIATOR RACK END BE25620101 (u. 1)	OBSOLETO
17	REJILLA RAD.R 49100089W BE25620002 (u. 1)	
18	TUBO SOBRANTE RAD.5X8 - 39cm.- TT-96 0/000.290.9117 (u. 1)	
	TUBO SOBRANTE RAD.5X8 - 39cm.- TT-96 BE25632009 (u. 1)	OBSOLETO
19	TUBO RAD.INF.IZQ.-DCH.EC125-2003 BE25632007 (u. 1)	
20	ABRAZ.COBRA-21 L200046 (u. 1)	OBSOLETO
	ABRAZ.COBRA D.21 INOX A2 0/000.680.9105 (u. 1)	
21	TUBO GASOLINA TT-96 = 16cm. BE25636004 (u. 1)	OBSOLETO
	CTO.TUBO DESVAP.GASOLINA 26cm 0/000.290.9115 (u. 1)	
	CTO.TUBO DESVAP.GASOLINA 26cm BT280310018 (u. 1)	OBSOLETO
22	ABRAZ.MOLLA M-11.6-12.3 ROSA 02016098 BE25610044 (u. 1)	OBSOLETO
	ABRAZ.MOLLA M-11.6-12.3 ZINC CR3 0/000.680.9102 (u. 1)	
23	RADIATOR HOSE EC125-2003 (LEFT) BE120332002 (u. 1)	OBSOLETO
	TUBO RAD.SUP.DCH. BE25632012 (u. 1) - 200-250-300	
24	TAPON RADIADOR 1.8 (214T2618) BFS701504509 (u. 1)	
	Radiator Cap TXT L200110 (u. 1)	OBSOLETO
25	TUBO CULATA EC125cc BE120332018 (u. 1)	
26	ARANDELA COBRE 6x10x1.5 TAPA TERMOSTATO ME25916002 (u. 1)	OBSOLETO
	ARANDELA COBRE 6X10X1.5 TORN.VAC.AGUA CI T4006008 (u. 1)	OBSOLETO
	ARANDELA COBRE 6X10X1.5 TORN.VAC.AGUA CI 0/000.440.9122 (u. 1)	
27	TAPA TERMOSTATO ENDUCROSS 2003 ME250316001 (u. 1)	
28	TUBO BIFURCACION RAD. BE120132011 (u. 1)	OBSOLETO

	TUBO RAD.SUP.IZQ.TT 250-96 BE25632002 (u. 1)	OBSOLETO
29	TUBO RAD.SUP.IZQ.EC-2007 2T BE250732002 (u. 1)	
	RADIATOR HOSE EC125-2003 (RIGHT) BE120332012 (u. 1)	OBSOLETO
31	TUBO DESVAP.TAP.GAS.(26cm.) BE25620011 (u. 1)	OBSOLETO
32	CTO.TAP.GASOLINA TRIAL 2004 BT280420010 (u. 1)	OBSOLETO
33	CASQ.DEP.=B560040 BE25610007 (u. 1)	
34	TIRA SUJ.DEP.EC-2001 BE250136020 (u. 1)	
35	TORN.c/plana 4.5x25 T0610001 (u. 1)	OBSOLETO
36	TANK BUSHING BE250010007 (u. 1)	OBSOLETO
37	DEP.GASOL.EC-2010 BE760002510 (u. 1)	OBSOLETO
	DEP.EC-2004 BE250410024 (u. 1)	OBSOLETO
38	GRIFO GASOLINA ref.01z3314006 BE25610031 (u. 1)	
39	ULS 6X12 T0506012 (u. 1)	OBSOLETO
40	MUELLE PROTECION TUBO GASOLINA BE25910068 (u. 1)	
43	FILTRO GASOLINA EC 1FL0001 BE25610051 (u. 1)	
44	CTO.TUBO RAD.TT 250 BE25632010 (u. 1)	
45	RAD.IZQ.EC-250-2014 2T(213.119) BE700503013 (u. 1)	
	RAD.IZQ.TT-2003 ref.45451U BE250332001 (u. 1) - 200-250-300	
	RAD.IZQ.EC125-2003 ref.45410U BE120332001 (u. 1)	OBSOLETO
46	TUBO 15 CM.LARGO (PARA COMU.RAD.DCH.-IZQ) BC25732008 (u. 1)	OBSOLETO
47	ALLEN 5x30 8.8 DRACOMET T0305030 (u. 1)	
48	JUNTA TAPA TERMOSTATO ME25944011 (u. 1)	
49	ARAN.FIBRA 14X20X2 RACORD ENTRADA AGUA = ME25610014 (u. 1)	
50	RACORD ENTRADA AGUA ME25610013 (u. 1)	
51	TORN.ESP.6x20 10.9 ZINC.(CEX) T0206020 (u. 1)	OBSOLETO
	ALLEN 6X20 12.9 T0306020 (u. 1)	
	TORN.ESP.6x20 DIN 6921 GEOMET 10.9 0/000.460.9120 (u. 1)	

52	TORN.ESP.6x20 10.9 ZINC.(CEX) T0206020 (u. 1)	OBSOLETO
	TORN.ESP.6x20 DIN 6921 GEOMET 10.9 0/000.460.9120 (u. 1)	
53	TORICA GRIFO GASOLINA 10X2.5 B740120 (u. 1)	
54	FILTRO GASOLINA EC 1FL0001 BE25610051 (u. 1)	OBSOLETO
	CTO.FILTRO GASOLINA EC250-2002 BE250210133 (u. 1)	
56	ABRAZ.COBRA 26 BE120132051 (u. 1)	OBSOLETO
57	ABRAZ.COBRA 25 BE120132052 (u. 1) - 125	
58	ABRAZ.COBRA-23 L200041 (u. 1) - 125	
59	CTO.TUBOS SUP.RAD.CULATA EC125-2003 BE120332045 (u. 1) - 125	

Escape



1	TORN.ESP.6X16 10.9 ZINC. T0206016 (u. 1)	OBSOLETO
	TORN.ESP.6X16 DIN 6921 ZINC.10.9 0/000.460.9119 (u. 1)	
2	ARANDELA 6X18X1.5 (DIN 9021) T4006018 (u. 1)	OBSOLETO
	ARANDELA 6X18X1.5 DIN 9021 ZINC 0/000.440.9126 (u. 1)	
3	ARANDELA KLINGERIT 7x25x2 T4006725 (u. 1)	OBSOLETO
4	SILENBLOCK ESCAPE 8986 25/20MF6 BE25626007 (u. 1)	
5	TUERCA AUTOBL.BAJA M-6 DIN 985 ZN CR3 6 0/000.340.9113 (u. 1)	OBSOLETO
	TUERCA AUTOBL.BAJA M-6 (DIN 985) T2106001 (u. 1)	
6	TUBO ESCAPE EC125-2009 BE850001209 (u. 1)	OBSOLETO
	TUBO ESCAPE EC125-2003 BE120326001 (u. 1)	
	TUBO ESCAPE ENDURO 300-2003 BE300326001 (u. 1)	
	TUBO ESCAPE EC-2008 BE850002508 (u. 1)	
	TUBO ESCAPE CR250-2003 BC250326001 (u. 1)	
	TUBO ESCAPE EC250-2003 BE250326001 (u. 1)	
8	SILENBLOC ESCAPE 10942 BE25626004 (u. 1)	

	ABRAZADERA INSTALACION 0/000.680.0060 (u. 1)	
9	BRIDA UNEX NYLON 2244 16/102 4.8X36 0/000.660.9104 (u. 1)	
	BRIDA UNEX 2244 16/102 4.8X36 BE25634007 (u. 1)	OBSOLETO
10	JUNTA ESCAPE 250 SILIC.5916 0/000.490.9103 (u. 1)	
	JUNTA ESCAPE 250 SILIC.5916 BE25626003 (u. 1)	OBSOLETO
11	MUELLE ESCAPE BE25610042 (u. 1)	OBSOLETO
	MUELLE ESCAPE EC 0/000.470.9106 (u. 1)	
	MUELLE ESCAPE EC BE86050GG-EKF-1 (u. 1)	OBSOLETO
12	TORICA TUBERA ESCAPE 44.2X3 SIL. BE25626006 (u. 1)	OBSOLETO
	TORICA TUBERA ESCAPE 44X3 FP (viton) BE250526006 (u. 1)	
13	TUBERA ESCAPE 2005 ME250516019 (u. 1)	
	TUBERA ESCAPE AL. ME25916019 (u. 1)	OBSOLETO
	TUBERA ESCAPE INOX.EC125-2003 ME120316019 (u. 1)	
	TUBERA ESCAPE AL. ME120116019 (u. 1)	OBSOLETO
14	SILENC.FINAL HOMOLOGACIO EC125-2006 BE120626002H (u. 1)	OBSOLETO
	SILENC.CROSS 125-2007 BC120726002 (u. 1)	OBSOLETO
	SILENC.FINAL EC250-2007 BE250726002 (u. 1)	OBSOLETO
	SILENC.HOMOL.EC125-2007 BE120726002H (u. 1)	
	SILENC.CROSS 250-2007 BC250726002 (u. 1)	OBSOLETO
	SILENC.BANANA C.TIT.EC-2010 BE870002510 (u. 1)	
15	TUERCA+ARAN.M-6 ESTR. DIN 6923 ZINC 8 0/000.340.9116 (u. 1)	
	TUERCA+ARAN.M-6 (DIN 6923) ESTR. T2206000 (u. 1)	OBSOLETO
	TUERCA M-6+ARANDELA T2306000 (u. 1)	OBSOLETO
16	SILENBLOCK SILENCIADOR EC-2000 BE250026005 (u. 1)	
17	CASQ.SILENBLOCK SILENCIADOR ALUM. BE250026000 (u. 1)	
18	ALLEN 6x30 12.9 T0306030 (u. 1)	
19	TAPA SILENC. BE250326120 (u. 1)	
	CAZOLETA FINAL SILENC.PULIDA TT125 BE120326120 (u. 1)	OBSOLETO

20	REMACHE D.4x10 ALUMINI SILENC.EC-2000 BE250026032 (u. 1)	OBSOLETO
21	EXAG.6x14+ARANDELA INCORP. T0206014 (u. 1)	OBSOLETO
	EXAG+ARANDELA 6x14 DIN 6921 0/000.460.9118 (u. 1)	
22	TUERCA NUT 956 RAPIDA M-6 HRc 40/48 0/000.340.9120 (u. 1)	
	TUERCA NUT 956 M-6 HRC 40/48 T2606000 (u. 1)	OBSOLETO
23	EXAG.6x15 12.9 T0106015 (u. 1)	
24	ALLEN 6X50 DIN 912 12.9 COMPLETAMENTE ROSCADO GEOMET T0306050 (u. 1)	OBSOLETO
25	CTO.CAZOLETA INTERIOR EC250-2001 BE250126100 (u. 1)	OBSOLETO
	CAZOLETA INTERIOR SILENCIOSO 125TT BE120326100 (u. 1)	OBSOLETO

Adhesivos EC



CTO.ADH.S 250 2004 AZ.
BE250438000AZ (u. 1) - 250 AZUL

ADH.S ENDURO 125CC 2004
BE120438000 (u. 1)

OBSOLETO

1

CTO.ADH.S 250CC 2004
BE250438000 (u. 1) - 250 ROJO

CTO.ADH.S 300 2004
BE300438000 (u. 1)

OBSOLETO

ADH.S 200 2004
BE200438000 (u. 1)

OBSOLETO

2

ADH.BASCUL.EC-2004
BE250438005 (u. 1)

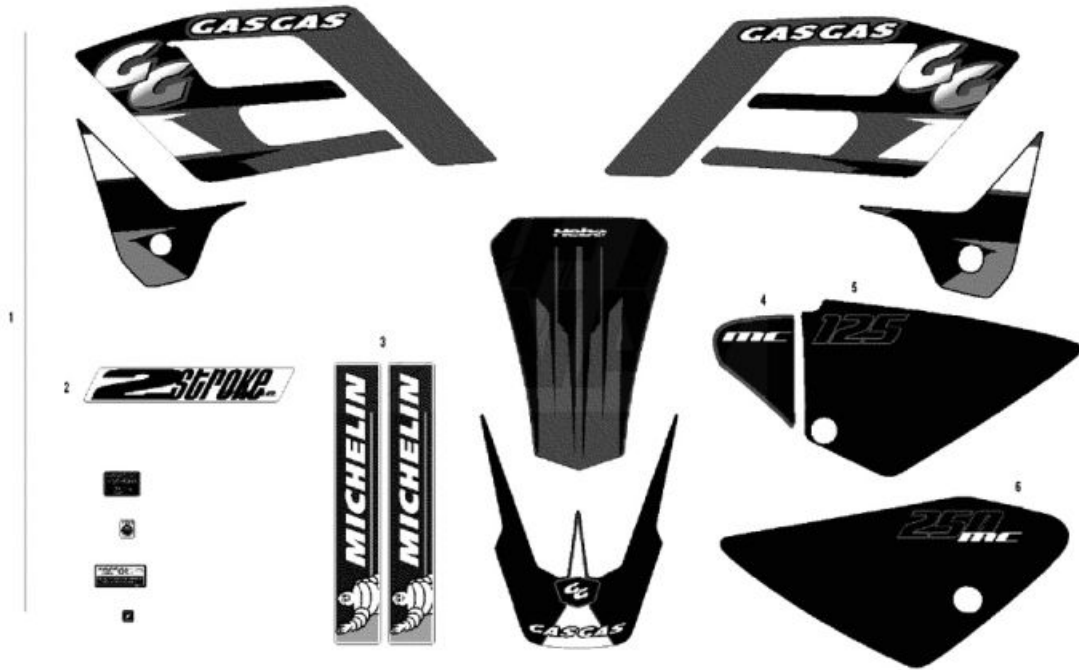
OBSOLETO

3

ADH.MICHELIN
PU000238006 (u. 1)

OBSOLETO

Adhesivos MX



1	KIT ADH.S 125 CROSS BC120438000 (u. 1)	
2	ADH.BASCUL.EC-2004 BE250438005 (u. 1)	OBSOLETO
3	ADH.CILINDR.BASCUL.E250-2003 BE250338005 (u. 1)	OBSOLETO
4	FILTER COVER STICKER 2004 BC250438049 (u. 1)	OBSOLETO

Adhesivos SM



1 COJUNTO ADH.S SUPER MOTARD 2004
BE250438000SM (u. 1)

2 ADH.BASCUL.EC-2004
BE250438005 (u. 1)

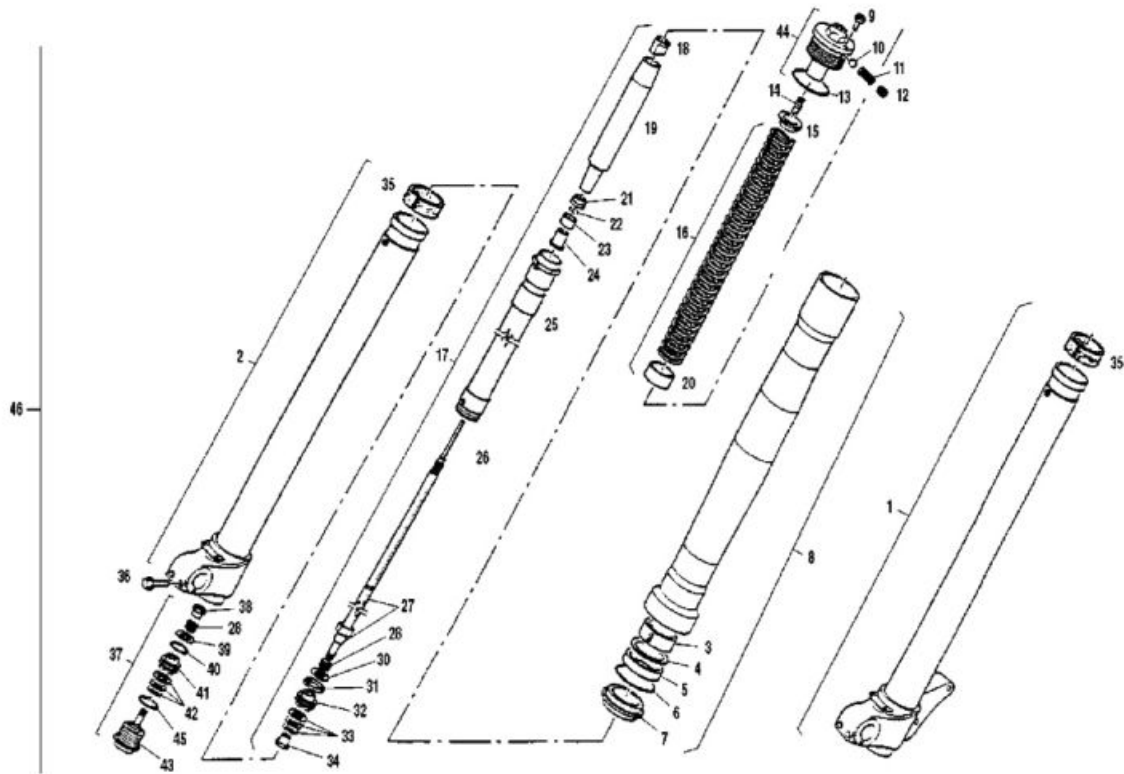
OBSOLETO

3 ADH.MICHELIN
PU000238006 (u. 1)

OBSOLETO

4 ADH.T.FILTRO.SUPERMOTARD 2004
BE250438049SM (u. 1)

Horquilla delantera marzocchi EC 250-300

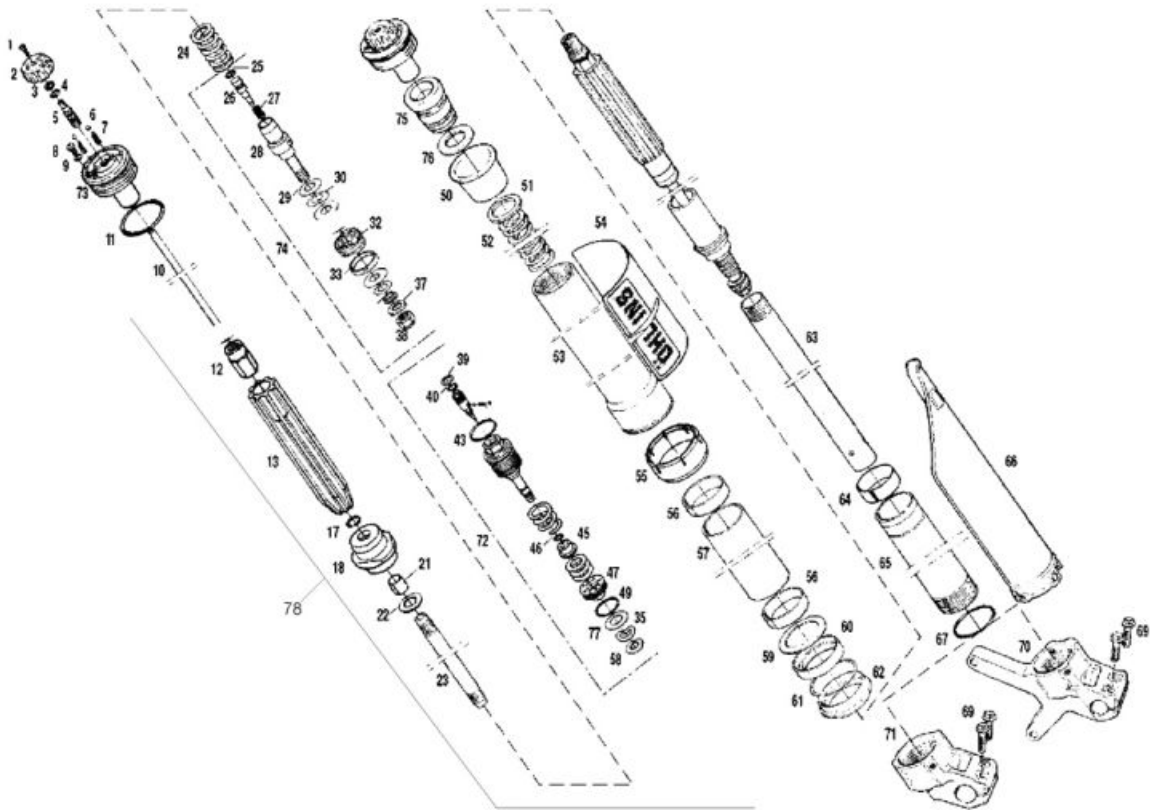


1	BASE+BARRA IZQ.819191/C BE250414143 (u. 1)	
2	BASE+BARRA DCH.819190/C BE250414142 (u. 1)	
3	GLACIER BOTELLA 538103 50x45x15 BE250314131 (u. 1)	
4	CLOSE RING BE250114133 (u. 1)	OBSOLETO
5	SUSPENSION SEAL C240701 (u. 1)	OBSOLETO
6	ANILLO DE CIERRE BE25714132 (u. 1)	OBSOLETO
7	GUARDAPOLVO D.45 58.4 4.6 14 BE25714131 (u. 1)	
8	CTO.BARRA SUS.760066I/C BE250114110 (u. 1)	OBSOLETO
9	BOLT AND O/RING BE25714103 (u. 1)	OBSOLETO
10	BOLA REGUL.525007 BE250114225 (u. 1)	OBSOLETO
11	MUELLE TAP.REGUL.5141027 BE250114226 (u. 1)	OBSOLETO
12	TORN.PEQUEÑO TAP.REGUL.520220AA BE250114227 (u. 1)	OBSOLETO
13	TORICA TAP.REGUL. BE250114104 (u. 1)	
14	REGULATION BUSHING BE250114112 (u. 1)	OBSOLETO
15	CASQ.GUIA MUELLE 536071 BE250114107 (u. 1)	

16	KIT MUELLE Y CASQ.850285 40 BE250114228 (u. 1)	
17	CTO.AMORT.SUSP. BE250114129 (u. 1)	OBSOLETO
18	TUERCA BLOQUEADOR M12X25 521119KM BE250114242 (u. 1)	OBSOLETO
19	TUBO GUIA MUELLE 5181116 BE250114229 (u. 1)	OBSOLETO
20	TOPE PRECARGA 5181146 BE250114109 (u. 1)	OBSOLETO
21	TOPE DE FONDO 521164 BE250114230 (u. 1)	OBSOLETO
22	ANILLO RETENCION 523218 BE250114231 (u. 1)	OBSOLETO
23	TOPE FONDO HUG D45 512080 BE250114232 (u. 1)	OBSOLETO
24	TOPE FONDO USD D45 532911 BE250114233 (u. 1)	OBSOLETO
25	CARTUCHO AMORT. BE250114114 (u. 1)	OBSOLETO
26	VARILLA INTERNA 556492 BE250114234 (u. 1)	
27	CTO.VARILLA 309644CH/R BE250114116 (u. 1)	OBSOLETO
28	MUELLE 5141087 BE250114118 (u. 1)	OBSOLETO
30	JUNTA 19X8.1X0.3 BE250114235 (u. 1)	OBSOLETO
	JUNTA 21X8.1X0.3 BE250114236 (u. 1)	OBSOLETO
	JUNTA 23X8.1X0.2 BE250114243 (u. 1)	OBSOLETO
	JUNTA 20X8.1X0.3 BE250114237 (u. 1)	OBSOLETO
31	PISTON SEGMENT BE250114120 (u. 1)	OBSOLETO
32	PISTON SUSP.530088/A BE250114119 (u. 1)	OBSOLETO
33	ARANDELA SUSP.19X8.1X0.1 BE250114239 (u. 1)	OBSOLETO
	ARANDELA SUSP.21X8.1X0.1 BE250114241 (u. 1)	OBSOLETO
	ARANDELA SUSP.17X8.1X0.1 BE250114240 (u. 1)	OBSOLETO
	ARANDELA SUSP.15X8.1X0.1 BE250114238 (u. 1)	OBSOLETO
34	VALV.BASE 521092/D BE250114126 (u. 1)	OBSOLETO
35	CASQ.INT.BOTELLA 538095 BE250114128 (u. 1)	
36	TORN.ESP.M6x30 DIN 6921 GEOMET 0/000.460.9123 (u. 1)	
	TORN.6X30 520339AR>A BE250114144 (u. 1)	OBSOLETO
	TORN.ESP.M6x30 T0206030 (u. 1)	OBSOLETO

37	GRUPO AMORT. BE250114124 (u. 1)	
38	CASQ.M6X0.75 BE250114244 (u. 1)	OBSOLETO
39	JUNTA 23X8.1X0.3 C72 BLU BE250114245 (u. 1)	OBSOLETO
40	TORICA 2087 D21.95 S1.78 BE250114246 (u. 1)	OBSOLETO
41	PISTON D.26 SINTER.530089/A BE250114247 (u. 1)	OBSOLETO
42	JUNTA 23X8.1X0.1 517082 BE250114248-2 (u. 1)	OBSOLETO
	JUNTA 16X8.1X0.1 517236 BE250114248-8 (u. 1)	OBSOLETO
	JUNTA 14X8.1X0.1 517230 BE250114248-7 (u. 1)	OBSOLETO
	JUNTA 17X8.1X0.1 517151 BE250114248-3 (u. 1)	OBSOLETO
	JUNTA 20X8.1X0.1 517214 BE250114248-4 (u. 1)	OBSOLETO
	GASKET 19X81X01 BE250114248-1 (u. 1)	OBSOLETO
	JUNTA 12X8.1X0.1 517229 BE250114248-6 (u. 1)	OBSOLETO
	JUNTA 15X8.1X0.1 517080 BE250114248 (u. 1)	OBSOLETO
	JUNTA 22X8.1X0.1 517217 BE250114248-5 (u. 1)	OBSOLETO
43	ADJUSTING VALVE BE250114249 (u. 1)	OBSOLETO
44	CTO.TAP.REGUL.701166/R BE250114105 (u. 1)	OBSOLETO
46	SUSP.MARZOCCHI EC125-2004 REF:131698 BE120414000MZ (u. 1) - 125	
	SUSP.DEL.2004 MARZ.131699 BE250414000MZ (u. 1) - 250-300	

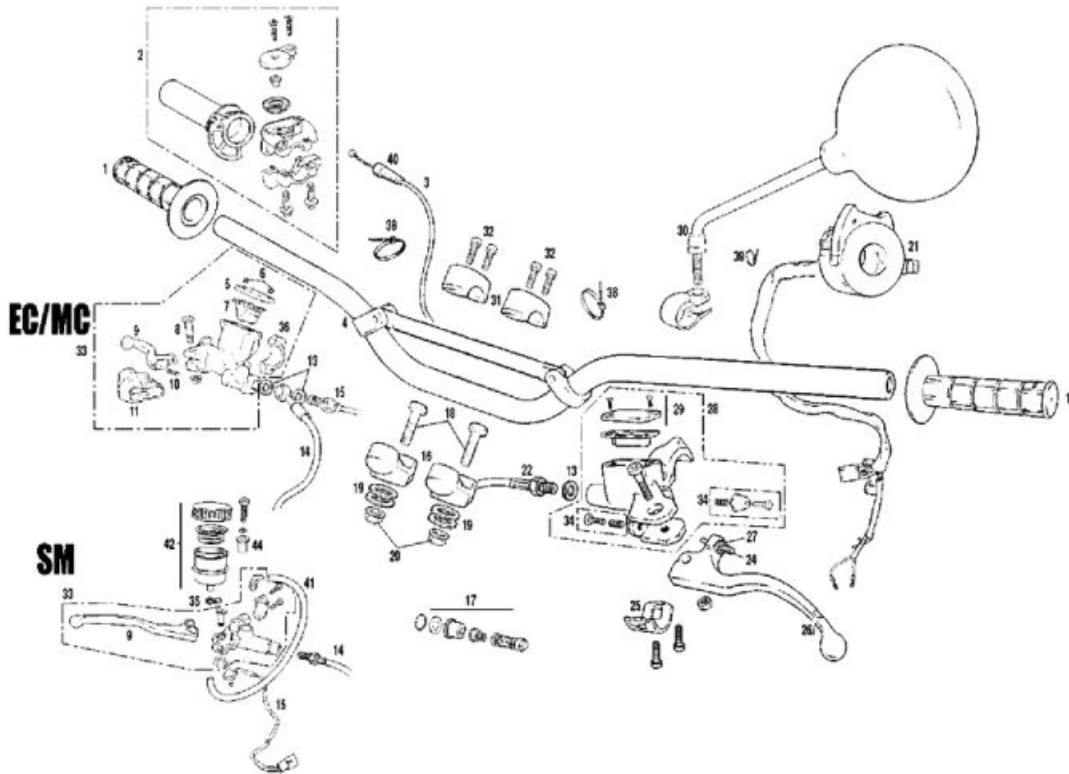
Horquilla delantera OHLINS



2	RODILLO REGUL.OHLINS 00820-01 BE250314101OH (u. 1)	OBSOLETO
9	TORICA SUSP.CION OHLINS 00438-17 BE250114104OH (u. 1)	OBSOLETO
52	MUELLE HORQUILLA DELANTERA 4.1 BE250114108OH (u. 1)	OBSOLETO
53	BOTELLA SUS.02324-0 BE250114206OH (u. 1)	OBSOLETO
55	PROT.GUARDAPOLVO 02409-01 BE250314182OH (u. 1)	
56	GLACIER BOTELLA OHLINS (02021-01) BE250114134OH (u. 1)	OBSOLETO
57	SEP.02325-01 BE250114109OH (u. 1)	OBSOLETO
59	ARANDELA 01552-01 BE250114133OH (u. 1)	OBSOLETO
60	RETEN SUSP.OHLINS 2336-01 BE250114212OH (u. 1)	
61	CLIP RETEN OHLINS 02015-01 BE250114132OH (u. 1)	OBSOLETO
62	GUARDAPOLVO SUSP.OHLINS 02014-01 BE250114131OH (u. 1)	OBSOLETO
64	GLACIER BARRA OHLINS 02022-01 BE250114111OH (u. 1)	OBSOLETO
65	BARRA SUSPENCION OHLINS 02315-83 BE250114110OH (u. 1)	OBSOLETO
66	JUEGO PROT.HORQ. NG. BC250114040 (u. 1)	
67	TORICA SUSP.OHLINS 00438-03 BE250114263OH (u. 1)	OBSOLETO

69	TORN.BASE HORQ.02314-02 BE250114209OH (u. 1)	OBSOLETO
70	BASE IZQ.OHLINS 02372-27 BE250414143OH (u. 1)	OBSOLETO
71	BASE DERECHA OHLINS 02372-28 BE250414142OH (u. 1)	OBSOLETO
78	SUSP.DEL.INV.OHLINS2004(FGGG 4120) BE250414000OH (u. 1)	OBSOLETO

Manillar - mandos

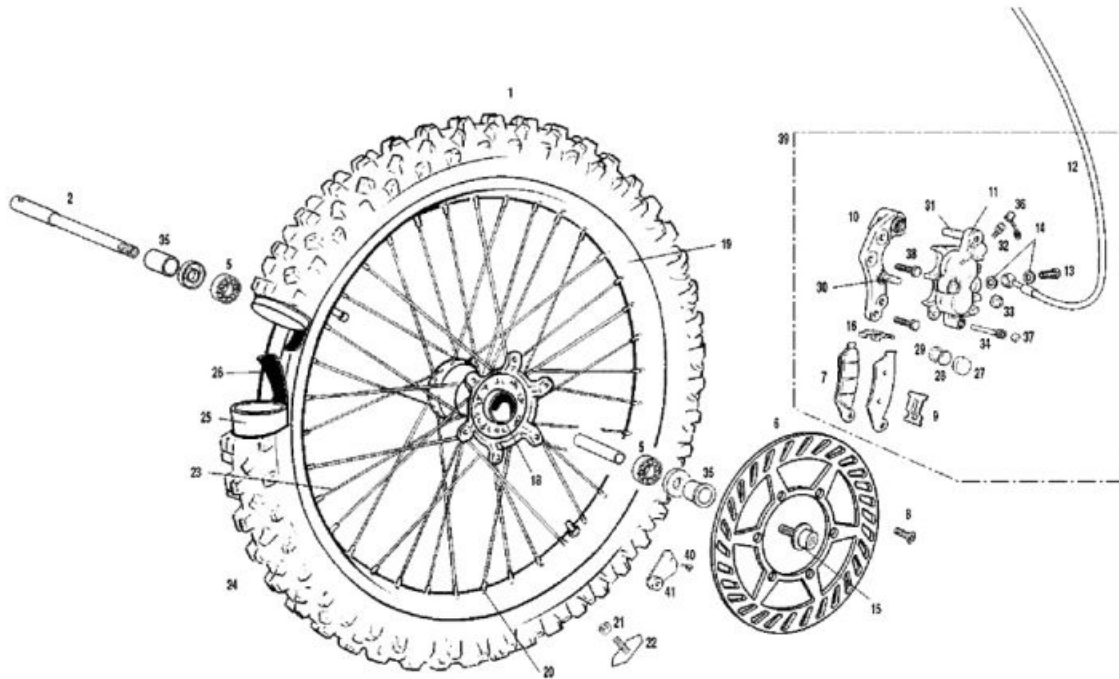


	JUEGO EMPUÑADURA EC 2016 NEGRO 0/000.530.9102 (u. 1)	
1	JUEGO EMPUÑADURA EC 2016 NEGRO BE26100GG-EKF-1 (u. 1)	OBSOLETO
	JUEGO EMPUÑADURAS EC250-2002 HP2150301G BE250236002 (u. 1)	OBSOLETO
2	PUÑO GAS TT (3291.03.00-1) 0/000.530.9100 (u. 1)	
	PUÑO GAS TT (3291.03.00-1) BE25724007 (u. 1)	OBSOLETO
3	CABLE DE GAS EC-2009 BE785002509 (u. 1)	
	CABLE GAS TT-97 BE25724008 (u. 1)	OBSOLETO
4	MANILLAR COMP.EC250-2002 855-6021 BE250224001 (u. 1)	
5	TAPA BOMBA 009-M91-099 BC25922210 (u. 1)	
6	TORN.TAPA BOMBA 049-Z02-064 BC25922217 (u. 1)	
7	GOMA ANTIESPUMANTE 003-M68-042 BC25922216 (u. 1)	
8	TORN.ESP.083-M87-012 BC25922212 (u. 1)	
9	MANETA FRENO TT250 2904 (3274) BC250022045R (u. 1)	
	MANETA FRENO DEL.EC-250 003-M05-GAS CEX BC250022045 (u. 1)	OBSOLETO
10	TENSOR MANETA NISSIN 003-M84-107 BC25922218 (u. 1)	

11	GUARDAPOLVO BC25922213 (u. 1)	
13	ARANDELA LATIGUILLO 10X14X1 BE25622007 (u. 1)	
14	LATIGUILLO FRENO DEL.SM 4T 2007 BFS450722002SM (u. 1)	
	LATIGUILLO FRENO DEL.EC-2004- 740 746112 BE250422002 (u. 1) - EC	
	LATIGUILLO FRENO DEL.EC250 SM BE250122002SM (u. 1)	OBSOLETO
15	INTERRUPTOR 23-016/1 STOP BOMBA NISSIN 3 0/000.720.9104 (u. 1)	
	RACORD SUJ.LATIGUILLO 10X1,25(9257) BC25722006 (u. 1) - MX	
	INTERRUPTOR 23.024/1 STOP BOMBA NISSIN BE250034003 (u. 1)	OBSOLETO
	INTERRUPTOR 23-016/1 STOP BOMBA NISSIN 3 BE250334003 (u. 1)	OBSOLETO
16	BRIDA SUJ.MANILLAR INF. BE25814013 (u. 1)	OBSOLETO
17	KIT PISTON FRENO A 113-MK1-GAS BC25922219 (u. 1)	
18	EXAG.M10x40 ROSCA 20 PAS 1.50 12.9 T0110043 (u. 1)	
19	DIST.BRIDA INF.MANILLAR EC2003 BE250314035 (u. 1)	
20	TUERCA DIN 6923 ZINC 8.8 ESP.10/150 C13 0/000.340.9105 (u. 1)	
	TUERCA CIL.ESP.10/150 C13 = M01613001 ME25616031 (u. 1)	OBSOLETO
	TUERCA CIL.8.8 ESP.10/150 C13 =ME2561603 M01613001 (u. 1)	OBSOLETO
21	CONMUTADOR LUZ TT-97 BE25734001 (u. 1)	
22	LATIGUILLO EMBR.ENDURO (FK003CE021E) BE250522003 (u. 1)	
	LATIGUILLO EMBR. BE25622003 (u. 1)	OBSOLETO
24	TORN.REGUL.MANETA BT27922046 (u. 1)	OBSOLETO
25	SOP.BOMBA EMBR. BE250022211 (u. 1)	OBSOLETO
26	MANETA EMBR.PLATA 134.75.001C E200701 (u. 1) - DE SERIE	
	Clutch Lever Medium Silver BT27922040 (u. 1)	OBSOLETO
27	TUERCA M-6 BAJA DIN 936 T2006001 (u. 1)	
28	BOMBA EMBR.HIDR.650.00.701 BE250022009 (u. 1)	
29	KIT TAPA BOMBA FRENO Y EMB.97 BT27722210 (u. 1)	

	CTO.ESPEJO RETROVISOR(REG 81) 0/000.990.9100 (u. 1)	
30	ESPEJO RETROVISOR(CEX) L300760 (u. 1)	
	CTO.ESPEJO RETROVISOR(REG 81) BT29000GG-CKR-1 (u. 1)	OBSOLETO
31	BRIDA SUJ.MANILLAR SUP. BE25814012 (u. 1)	OBSOLETO
32	TORN.ALLEN DIN-912 8X30 ZN CULATA T0308030 (u. 1)	
	CTO.FRENO DEL.PURGADO ENDURO 2003 BE250322108 (u. 1)	OBSOLETO
	BOMBA FRENO AXIAL 13 R.10.5053.53 BE250122008SM (u. 1) - SM	
	CTO.FRENO DEL.PURGADO EC 2003 SUPERMOTAR BE250322108SM (u. 1)	OBSOLETO
33	CTO.FRENO DEL.PURGADO SM 4T 2007 BFS450722108SM (u. 1)	OBSOLETO
	CTO.FRENO DEL.PURGADO ENDURO 2004 0/000.820.9107 (u. 1)	
	CTO.FRENO DEL.PURGADO CROSS 2003 BC250322108 (u. 1)	OBSOLETO
	BOMBA FRENO DEL.NISSIN=BC25922008 BC25922008/2 (u. 1) - EC	
	CTO.FRENO DEL.PURGADO ENDURO 2004 BE250422108 (u. 1)	OBSOLETO
34	KIT BOMBA FRENO DEL.Y EMB.97 150.00.595. BT27722208 (u. 1)	
	ABRAZ.MOLLA M-11.6-12.3 ZINC CR3 0/000.680.9102 (u. 1)	
35	ABRAZ.MOLLA M-11.6-12.3 ROSA 02016098 BE25610044 (u. 1)	OBSOLETO
	BRIDA BC25922211 (u. 1) - EC	
36	SOP.MANETA FRENO R361700 (u. 1)	OBSOLETO
	BRIDA UNEX 2244 4.8X20 BE25634009 (u. 1)	OBSOLETO
38	BRIDA UNEX NYLON 2244 4.8X20 0/000.660.9105 (u. 1)	
	ABRAZADERA INSTALACION 0/000.680.0060 (u. 1)	
	BRIDA UNEX NYLON CORTA 2221-0 2.5X98 =P380003 0/000.660.9106 (u. 1)	
39	BRIDA nylon CORTA 2221-0 2.5X98 =P380003 BE25634010 (u. 1)	OBSOLETO
	BRIDA 2,5x100 T18ROS-PA66HS-BK 0/000.680.0081 (u. 1)	
40	GUARDAPOLVO PUÑO GAS G600000 (u. 1)	
41	TUBO LIQUIDO FRENO A BOMBA DEL.20.5 CM BFS400310116SM (u. 1)	OBSOLETO
42	BRAKE FLUID TANK BE250110016SM (u. 1)	OBSOLETO
44	CASQ.SILENBLOCK SILENCIADOR ALUM. BE250026000 (u. 1) - SM	

Rueda delantera EC-MX



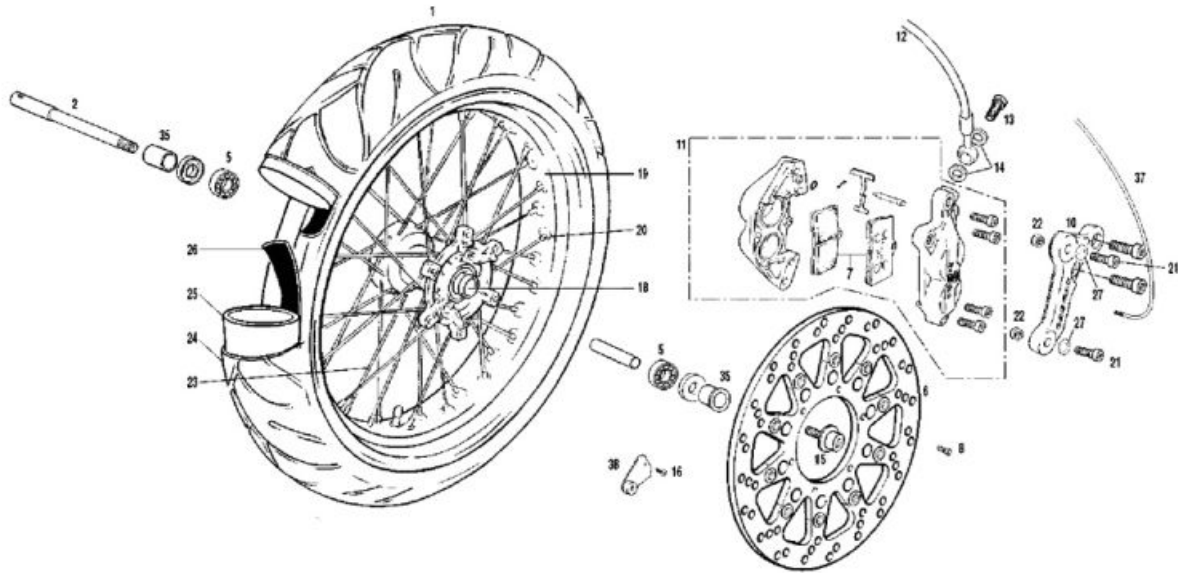
1	RUEDA DEL.EC250-2003 BE250318000 (u. 1)	OBSOLETO
	RUEDA DEL.CROSS 250-2003 BC250318000 (u. 1)	OBSOLETO
2	CTO.EJE RUEDA DEL.+TORN. BC250418017CT (u. 1)	
	EJE RUEDA DEL.CROSS 2004 BC250418017 (u. 1)	OBSOLETO
5	RODAM.61905 2RS1 ME120136055 (u. 1)	
6	D.FRENO.DEL.NG 731 EC250-2002 BE250222011 (u. 1)	OBSOLETO
	DISCO FRENO DELANTERO ENDURO 2018 260mm 0/001.090.9105 (u. 1)	
	DISCO FRENO DELANTERO ENDURO 2018 BE52000GG-CLJ-1 (u. 1)	OBSOLETO
	FRONT BRAKE DISK WAVE GALFER 0913 BE520002509 (u. 1)	OBSOLETO
7	JUEGO PAST.NISSIN PAD SET CP2K1 GAS BC250022065 (u. 1)	OBSOLETO
	KIT PASTILLAS DEL.FD164 G1396 SINTER BE620652508/1 (u. 1)	
	JUEGO P.FRENO.DEL.PM375 B BE250022065 (u. 1)	OBSOLETO
	KIT PASTILLAS DEL.EC 002-C94-540 CEX BE620652508 (u. 1)	

	TORN.ESP.6X16 DIN 6921 ZINC.10.9 0/000.460.9119 (u. 1)	
8	HEXAGONAL BOLT 6X16 BE250018029 (u. 1)	OBSOLETO
	TORN.ESP.6X16 10.9 ZINC. T0206016 (u. 1)	OBSOLETO
9	PLATINA SUJ.PASTILLAS EC 002-C30-110 BE620112508 (u. 1)	
	PLATINA (A) SUJ.PAST.DEL.002-C80-014 BE250022063 (u. 1)	OBSOLETO
10	SOP.PINZA DEL.EC 002-C08-225 BE620102508 (u. 1)	
	SOP.PINZA DEL.EC-2000 BE250022110 (u. 1)	OBSOLETO
11	PINZA FRENO DEL+SOP.EC-2003 BE250322000 (u. 1)	
12	LATIGUILLO FRENO DEL.EC-2000 BE250022002 (u. 1)	OBSOLETO
	LATIGUILLO FRENO DEL.EC-2004- 740 746112 BE250422002 (u. 1)	
	LATIG.FRENO DEL. BC25922002 (u. 1)	OBSOLETO
13	RACORD SUJ.LATIGUILLO 10X1,25(9257) BC25722006 (u. 1)	
14	ARANDELA LATIGUILLO 10X14X1 BE25622007 (u. 1)	
15	Front Axle Lock Bolt, Pro 04 (Marz) BT280418026 (u. 1)	OBSOLETO
	TORN.EJE DEL.COLOR TIT.T.RAGA 2009 BT53010R3009 (u. 1)	OBSOLETO
16	PLATINA SUJ.PASTILLAS 002-C80-014 BE620122508 (u. 1)	
	PLATINA (B) SUJ.PASTILLAS DEL.002-C30-11 BE250022064 (u. 1)	OBSOLETO
18	CUBO RUEDA DEL.25mm 334.00.220c BE250418007 (u. 1)	
19	LLANTA DEL.U TYPE 21x1.60 ENDURO 2001 BE250118006 (u. 1)	OBSOLETO
	LLANTA 1.60X21 EXCEL SILVER 53504 BE25618006 (u. 1)	OBSOLETO
20	TUERCA RADIO DEL. BE250218010 (u. 1)	OBSOLETO
	KIT RADIO Y TUERCA RUEDA DELANTERA MOD. 2002-2013 BE542002508 (u. 1)	
21	NUT WITH WASHER BE25818060 (u. 1)	OBSOLETO
22	AGARRE CUBIERTA DEL.Nø1 TT-96 =R120000 H BE25618027 (u. 1)	
	AGARRE CUBIERTA N1 =BE25618027 HR9010101 R120000 (u. 1)	OBSOLETO
23	MRADIO DEL.243x3.5 BE250218009 (u. 1)	OBSOLETO
	KIT RADIO Y TUERCA RUEDA DELANTERA MOD. 2002-2013 BE542002508 (u. 1)	

24	NEUMATICO DEL.90/90-21 54R COMP.III BE25618102 (u. 1)	OBSOLETO
	NEUMATICO 90-90-21 CROSS M12 BC25718102 (u. 1) - MX	
25	CAMARA DELANTERA 21MDR VALVE TR4 BE502002511 (u. 1)	OBSOLETO
	CAMARA DELAN.21 ABR BE25618001 (u. 1)	OBSOLETO
	CAMARA DELANTERA 21MDR VALVE TR4 833092 0/000.520.9100 (u. 1)	
26	PROT.BANDA DEL.FLAP 1.60/1.85 X 21(1400X25) 949947 0/000.220.9108 (u. 1)	
	PROTECTOR BANDA DELANTERA FLAP 1.60/1.85 X 21(1400X25) BE503002511 (u. 1)	OBSOLETO
	PROTECTOR.BANDA DEL.FLAP 21 1.60/1.85 X 21 1400X25 (949947) BE25618028 (u. 1)	
27	PISTON COMPRESION PINZA DEL.272-C35-021 BE250022042 (u. 1)	
28	TORICA PISTON PINZA FRENO DEL. BE250022032 (u. 1)	
29	RETEN PINZA FRENO DEL.270-C43-100 BE250022033 (u. 1)	
30	TORN.CLAVIJA PINZA FRENO 082-C48-023 BE250022034 (u. 1)	
31	TORN.GUIA NISSIN 002-C46-086 BE250022092 (u. 1)	
	TORN.CLAVILLA A PINZA FRENO DEL. BE250022043 (u. 1)	OBSOLETO
32	SANGRADOR NISSIN 079-Z50-001 BE250022060 (u. 1)	
	SANGRADOR FRENO DEL 079-Z50-001 BE250022038 (u. 1)	OBSOLETO
33	GUARDAPOLVO PINZA EC 002-C49-104 BE620692508 (u. 1)	
	PROTECC.TORN.002.C49.011 BE250022039 (u. 1)	OBSOLETO
34	PASADOR PAS.PINZA F.DEL.002-C50-031 BE250022041 (u. 1)	
35	DIST.RUEDA DEL.2004 BC250418019 (u. 1)	OBSOLETO
	CASQUILLO RUEDA DELANTERA 0/000.480.9100 (u. 1)	
36	TAP.SANGRADOR NISSIN 009-Z51-015 BE250022055 (u. 1)	
37	PROTECC.PASADOR NISSIN 002-C51-012 BE250022095 (u. 1)	
38	TORN.ESP.8X30 GEOMET 10.9 0/000.460.9138 (u. 1)	
	SPEZIAL SCREW 8X45 T0208030 (u. 1)	OBSOLETO
	TORN.ESP.8X30 T0228030 (u. 1)	OBSOLETO

	CTO.FRENO DEL.PURGADO ENDURO 2004 BE250422108 (u. 1)	OBSOLETO
39	CTO.FRENO DEL.PURGADO ENDURO 2003 BE250322108 (u. 1)	OBSOLETO
	CTO.FRENO DEL.PURGADO ENDURO 2003 BE250322108C (u. 1)	OBSOLETO
	CTO.FRENO DEL.PURGADO ENDURO 2004 0/000.820.9107 (u. 1)	
41	CTO.PLATINA+IMAN CTA.KM BP120734008CT (u. 1)	

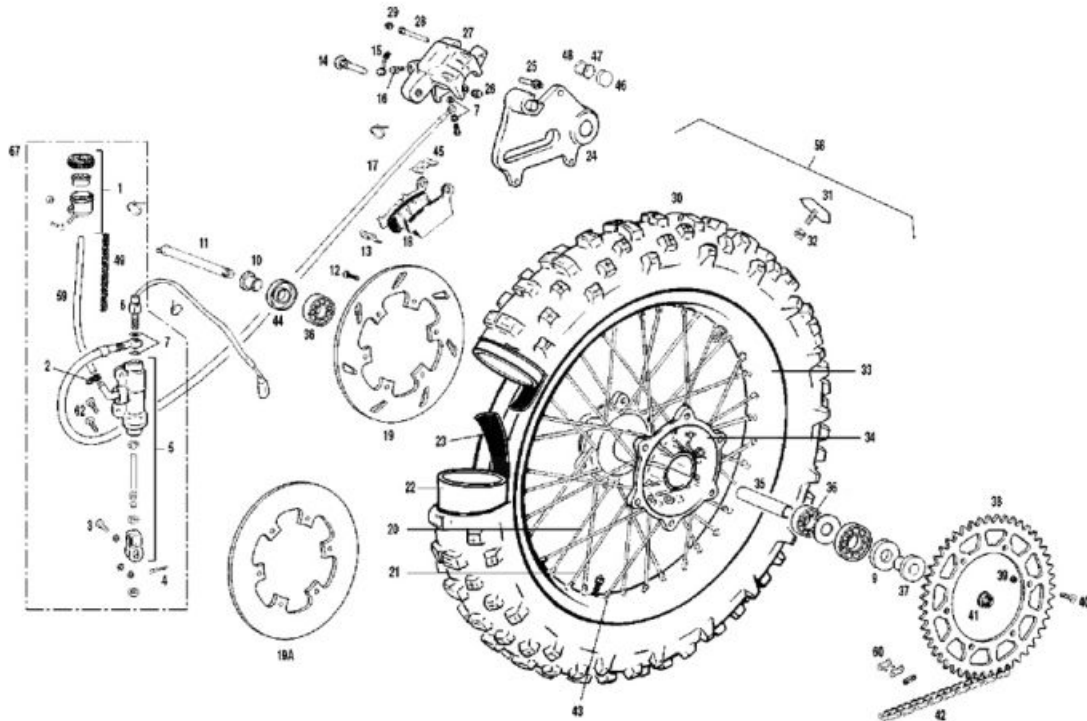
Rueda delantera SM



1	CTO.RUEDA DEL.SUPERMOTARD 2009 NG. BFS50000SMCT4509 (u. 1)	OBSOLETO
	RUEDA DEL.TT2001 SUPERMOTARD BE250118000SM (u. 1)	OBSOLETO
2	CTO.EJE RUEDA DEL.+TORN. BC250418017CT (u. 1)	
	EJE RUEDA DEL.CROSS 2004 BC250418017 (u. 1)	OBSOLETO
5	RODAM.61905 2RS1 ME120136055 (u. 1)	
6	D.FRENO.DEL.SUPERMOTARD 022 BE250322011SM (u. 1)	
	D.FRENO.DEL.COMP.EC250 SM BE250122011SM (u. 1)	OBSOLETO
7	PASTILLAS DEL.SUPERMOTARD 107.4426.45 BE250122065SM (u. 1)	OBSOLETO
10	SOP.PINZA FRENO DEL.EC250 SM BE250122110SM (u. 1)	OBSOLETO
11	PINZA 4P 30/34 GOLD SX 20516558 BE250122000SM (u. 1)	OBSOLETO
12	LATIGUILLO FRENO DEL.SM 4T 2007 BFS450722002SM (u. 1)	
	LATIGUILLO FRENO DEL.EC250 SM BE250122002SM (u. 1)	OBSOLETO
13	TOR.LAT.BOMBA FRENO TRAS.= BE25622006 R320000 (u. 1)	OBSOLETO
	RACOR LATIGUILLO FRENO TRASERO M10X1 BT280522006 (u. 1)	
14	ARANDELA LATIGUILLO 10X14X2 BE25622057 (u. 1)	OBSOLETO

15	TORN.EJE DEL.COLOR TIT.T.RAGA 2009 BT53010R3009 (u. 1)	OBSOLETO
	Front Axle Lock Bolt, Pro 04 (Marz) BT280418026 (u. 1)	OBSOLETO
18	CUBO RUEDA DEL.EC-2000 sep.int.aluminio BC250018007 (u. 1)	OBSOLETO
19	LLANTA DEL.3.5x17 EC250 SM BE250118006SM (u. 1)	OBSOLETO
20	TUERCA RADIOS M4 RUEDA TRAS.DIA.7 =R5000 BT27718016 (u. 1)	
21	TORN.ESP.8X45 8.8 ZINC. T0208045 (u. 1)	OBSOLETO
22	TUERCA AUTOBL + ARANDELA M8 ZINC 0/000.340.9119 (u. 1)	
	TUERCA AUTOBL+ARANDELA M8 T2208002 (u. 1)	OBSOLETO
23	RADIO DEL.185x3.5 INOX BE250118009SM (u. 1)	OBSOLETO
25	CAMARA DEL.120-60/17 SUPERMOTARD BE250118001SM/2 (u. 1)	
26	PROT.3.25-3.5-4.00-18/19 RH12022 BE250118028SM (u. 1)	
27	ARANDELA DE 8X16X1,5 T4008016 (u. 1)	OBSOLETO
	GUARNIZ. FISSAGGIO TELAIO PARTE POST. 0/000.440.0160 (u. 1)	
35	DIST.RUEDA DEL. BC250018019 (u. 1)	
37	CABLE MULTIFUNCION TT 2003 BE250334050 (u. 1)	OBSOLETO
38	CTO.PLATINA+IMAN CTA.KM BP120734008CT (u. 1)	

Rueda trasera EC-MX



1	DEPLIQUIDO FRENO G-G TRIAL PRO 2004 BT280410016 (u. 1)	OBSOLETO
2	ABRAZ.MOLLA M-11.6-12.3 ROSA 02016098 BE25610044 (u. 1)	OBSOLETO
	ABRAZ.MOLLA M-11.6-12.3 ZINC CR3 0/000.680.9102 (u. 1)	
3	PASADOR 8X20 PEDAL FRENO BE25622026 (u. 1)	OBSOLETO
	PASADOR 8X20 PEDAL FRENO 0/000.840.9101 (u. 1)	
4	CLAVILLA PASADOR FRENO 2X20 BE25622027 (u. 1)	OBSOLETO
	CLAVILLA PASADOR FRENO 2X20 0/000.840.9102 (u. 1)	
5	BOMBA FRENO TRAS.NISSIN R2MRC019=BE25622 BE25622010 (u. 1)	
	REAR BRAKE PUMP NISSIN BE25622010/2 (u. 1)	OBSOLETO
6	INTERRUPTOR 23.024/1 STOPO BOMBA NISSIN BE250034003/2 (u. 1)	OBSOLETO
	INTERRUPTOR 23-016/1 STOP BOMBA NISSIN 3 BE250334003 (u. 1)	OBSOLETO
	INTERRUPTOR 23-016/1 STOP BOMBA NISSIN 3 0/000.720.9104 (u. 1)	
7	ARANDELA LATIGUILLO 10X14X1 BE25622007 (u. 1)	
9	RETEN RUEDA TT 2003 32X47X7 BE250318055 (u. 1)	

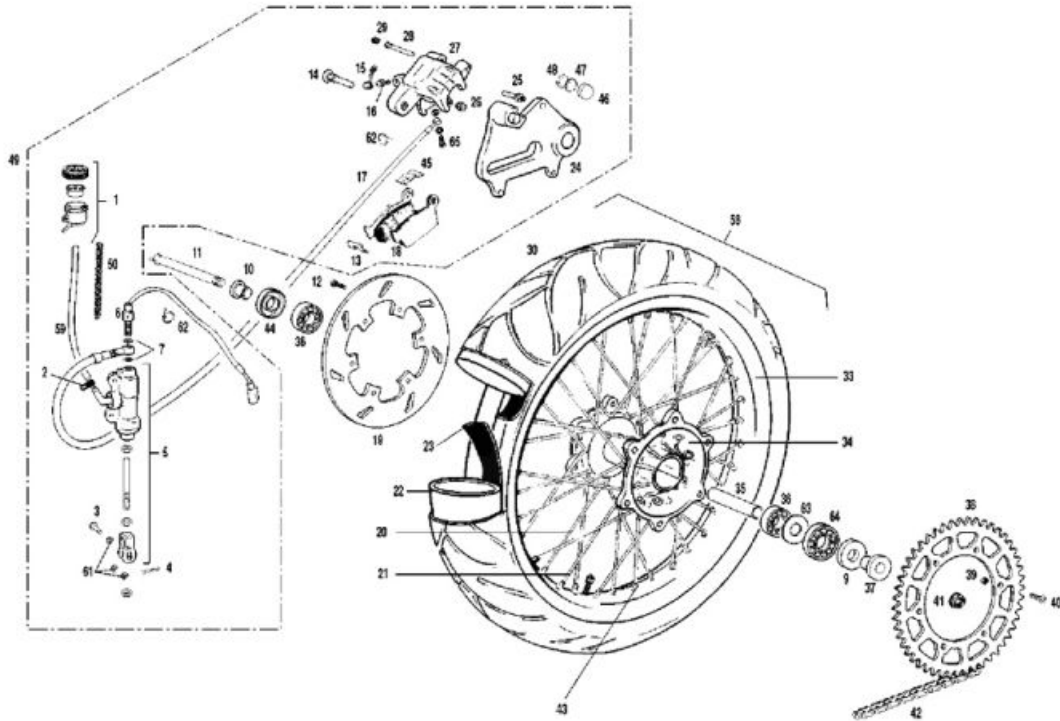
10	DIST.RUEDA TRAS.CORTO EC-2000 BE250018025 (u. 1)	OBSOLETO
	DIST.RUEDA TRAS.CORTO EC-2000 0/000.480.9104 (u. 1)	
11	EJE RUEDA TRAS. BE25618020 (u. 1)	
12	TORN.ESP.6X16 DIN 6921 ZINC.10.9 0/000.460.9119 (u. 1)	OBSOLETO
	TORN.ESP.6X16 10.9 ZINC. T0206016 (u. 1)	
	HEXAGONAL BOLT 6X16 BE250018029 (u. 1)	
13	PLATINA (A) SUJ.PAS.TRAS.002-C80-001 BE250022090 (u. 1)	
14	TORN.SUJ.PINZA 012-C54-001 BE250022096 (u. 1)	
15	TAP.SANGRADOR NISSIN 009-Z51-015 BE250022055 (u. 1)	
16	SANGRADOR NISSIN 079-Z50-001 BE250022060 (u. 1)	
17	LATIG.FRENO TRAS.NISSIN BE250022004 (u. 1)	
18	JGO.PASTILLAS FRENO NISSIN CP1K21-GAS(TO BE250422068 (u. 1)	OBSOLETO
	JUEGO P.FRENO.TRAS.PM392 B BE250022068 (u. 1)	
	KIT PASTILLAS DEL.EC 002-C94-540 CEX BE620652508 (u. 1)	
	JUEGO PAST.NISSIN PAD SET CP2K1 GAS BC250022065 (u. 1)	
19	D.FRENO.TRAS.FLOR 1057X EC-2010 0/001.090.9102 (u. 1)	OBSOLETO
	D.FRENO.TRAS.EC250-2008 1057 BE250422012 (u. 1)	
	D.FRENO.TRAS.FLOR 1057X EC-2010 BE570002510 (u. 1)	
19	D.FRENO.TRAS.FLOR 1057X EC-2010 0/001.090.9102 (u. 1)	OBSOLETO
	D.FRENO.TRAS.EC250-2008 1057 BE250422012 (u. 1)	
	D.FRENO.TRAS.LISO NG 243 BE250222012/2 (u. 1)	
	D.FRENO.TRAS.FLOR 1057X EC-2010 BE570002510 (u. 1)	
20	RADIO RUEDA TRAS.206x4.5 BC250218015 (u. 1)	OBSOLETO
	RADIO RUEDA TRAS.205.5X4.5 BC250418015 (u. 1)	
	KIT RADIO Y TUERCA TRASERO188x4,5 LADO CORONA MOD. 2000-2013 BE250018014 (u. 1)	
21	KIT RADIO Y TUERCA TRASERO 192x4,5 LADO FRENO MOD. 2000-2013 BE250018015 (u. 1)	OBSOLETO
	RADIO RUEDA TRAS.201x4.5 BC250218014 (u. 1)	

	CAMARA TRAS.MC19 CROSS 250-97 BC25718004 (u. 1) - MX	
22	CAMARA TRASERA CH 18 MGR VALVE TR4 MICHELIN 0/000.520.9102 (u. 1)	
	CAMARA TRAS.18CR BE25618004 (u. 1)	OBSOLETO
	CAMARA TRASERA CH 18 MGR VALVE TR4 MICHELIN BE552002511 (u. 1)	OBSOLETO
	PROT.BANDA TRASERO 1.60/2.00 X 18/19 (1300X25) 656415 MICHELIN BE553002511 (u. 1)	OBSOLETO
23	PROT.BANDA TRAS.18 BE25618003 (u. 1)	OBSOLETO
	PROT.BANDA TRASERO 1.60/2.00 X 18/19 (1300X25) 656415 MICHELIN 0/000.220.9110 (u. 1)	
	SOP.PINZA TRAS.EC-2000 BE250022120 (u. 1)	
24	TORN.GUIA NISSIN 002-C46-086 BE250022092 (u. 1)	
26	GUARDAPOLVO EC 002-C40-101 BE620682508 (u. 1)	
	GUARDAPOLVO NISSIN 002-C40-041 BE250022093 (u. 1)	OBSOLETO
27	PINZA FRENO TRAS+SOP.EC-2003 BE250322001 (u. 1)	
28	PASADOR PASTILLAS TRAS.002-C50-053 BE250022094 (u. 1)	
29	PROTECC.PASADOR NISSIN 002-C51-012 BE250022095 (u. 1)	
30	NEUMATICO TRAS.140/80-18 70R END.CO BE25618005 (u. 1)	OBSOLETO
	NEUMATICO CROSS 120/80-19 M12 BC25718005 (u. 1)	OBSOLETO
31	AGARRE CUBIERTA TRAS.N.2 HR9010102 BE250218008 (u. 1)	OBSOLETO
	AGARRE TRAS.EC-2009 2.15x18 BE555002509 (u. 1)	OBSOLETO
	AGARRE TRAS.EC-2009 2.15x18 0/000.220.9115 (u. 1)	
32	NUT WITH WASHER BE25818060 (u. 1)	OBSOLETO
33	LLANTA 19 CROSS 250 NG. BC25718011 (u. 1)	OBSOLETO
	LLANTA TRAS.U TYPE 18x2.15 ENDURO 2001 BE250118011 (u. 1)	OBSOLETO
34	CUBO RUEDA TRAS.ENDURO 2003 326.00.400 BE250318027 (u. 1)	
35	DISTAN.RUEDA TRAS.INTER.CUBO R575700 (u. 1)	
36	COJINETE 6004 2RS1 C160001 (u. 1)	
37	DIST.RUEDA TRAS.LARGO BE250318021 (u. 1)	

	CORONA Z-50 R840701 (u. 1)	OBSOLETO
	CORONA Z-54 BE25918126 (u. 1)	OBSOLETO
	CORONA Z-49 CROSS 250 BC25818024 (u. 1)	OBSOLETO
	CORONA Z 50 ENDURO 2011 COLOR TIT. BE573022511 (u. 1)	
	CORONA Z-48 ENDURO 2004 BE250418034 (u. 1) - 200-250-300	
	CORONA Z-44 PPF BF250018024 (u. 1)	
	CORONA Z-52 125 BE12618024 (u. 1)	
38	CORONA Z-47 250 BE25618024 (u. 1)	OBSOLETO
	CORONA Z-42 BE250118034SM (u. 1)	OBSOLETO
	CORONA Z-42 0/000.500.9103 (u. 1)	
	CORONA Z 48 ENDURO 2011 COLOR TIT. BE573002511 (u. 1)	OBSOLETO
	CORONA Z 48 ENDURO 2011 COLOR TIT. 0/000.500.9101 (u. 1)	
	PLATO ARRASTRE Z-49 CROSS 250 0/000.500.9100 (u. 1)	
	CORONA Z-53 BE25918125 (u. 1)	OBSOLETO
	CORONA Z-51 BE12618034 (u. 1) - 125	
	CORONA Z-46 BE25918124 (u. 1)	
39	TUERCA AUTOBL.M-8 ALTA (DIN 982) T2108002 (u. 1)	OBSOLETO
40	ALLEN+8X30 TENS.CAD. T0408030 (u. 1)	OBSOLETO
	ALLEN CONICO 8X30 DIN 7991 ZINC 12.9 0/000.460.9153 (u. 1)	
41	TUERCA AUTOBL.RUEDA TRAS.PR80 DIA.32 ZIN BE25618023 (u. 1)	
42	CADENA ABIERTA 135 ZRA 112 PASOS CON CLIP BE57800GG-CLJ-1 (u. 1)	OBSOLETO
	CADENA RX3 112 LINKS BC120110036 (u. 1) - MX 125	
	135ORCX112 CHAIN EC2003 BE250310036 (u. 1)	OBSOLETO
	CADENA ABIERTA 135 ZRA 112 PASOS CON CLIP 0/001.050.9100 (u. 1)	
43	TUERCA RADIO TRAS. BE250018016 (u. 1)	OBSOLETO
44	RETEN RUEDA DEL.TT 25x42x7 C160710 (u. 1)	
45	PLATINA (B) SUJ.PAST.TRAS.002-C53-101 BE250022091 (u. 1)	
46	PISTON PINZA FRENO TRAS.272-C34-013 BE250022044 (u. 1)	

47	RETEN PISTON PINZA TRAS 270-C42-015 BE250022047 (u. 1)	
48	TORICA PISTON PINZA TRAS 270-C43-009 BE250022048 (u. 1)	
49	MUELLE DESVAP. M150000 (u. 1)	
58	RUEDA TRAS.CROSS 250-2003 BC250318100 (u. 1)	OBSOLETO
	RUEDA TRAS.EC250-2003 BE250318100 (u. 1)	OBSOLETO
59	TUBO DEP.LIQ.FRENO A BOMBA (60 CM.) BE250010116 (u. 1)	OBSOLETO
60	ENGANCHE CADENA 26/135ORC6 BE250310066 (u. 1)	
67	CTO.FRENO TRAS.PURGADO CROSS 2003 BC250322118 (u. 1)	OBSOLETO

Rueda trasera SM

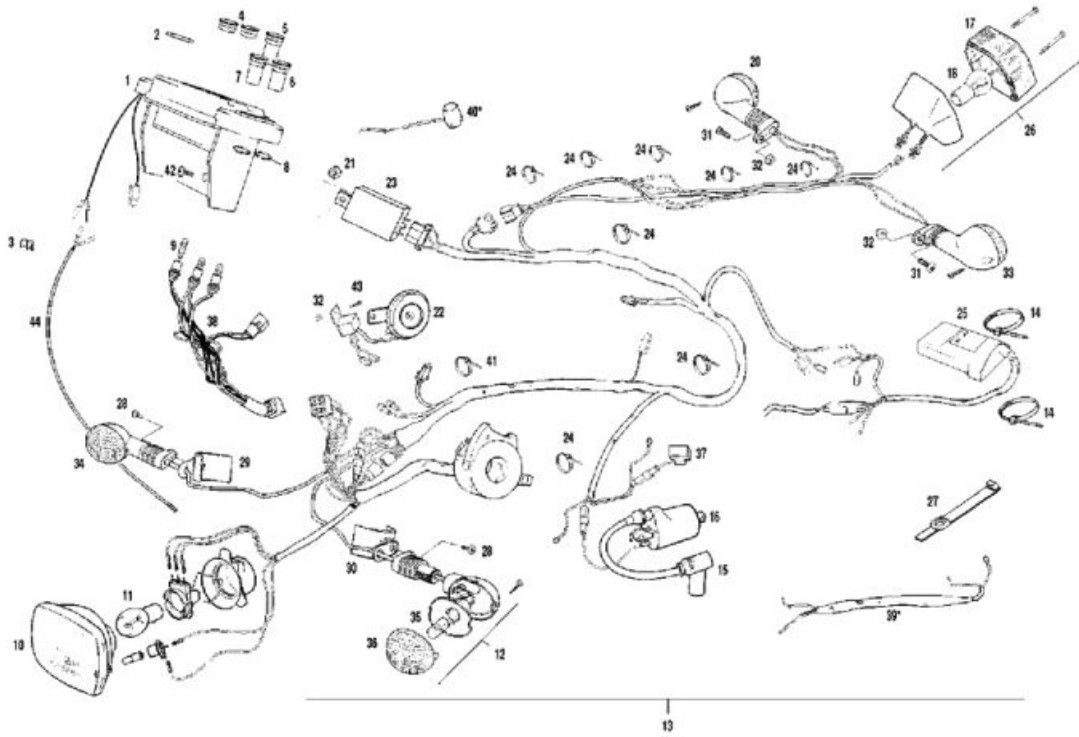


1	DEP.LIQUIDO FRENOS =BE25610016 L200010 (u. 1)	OBSOLETO
2	ABRAZ.MOLLA M-11.6-12.3 ROSA 02016098 BE25610044 (u. 1)	OBSOLETO
	ABRAZ.MOLLA M-11.6-12.3 ZINC CR3 0/000.680.9102 (u. 1)	
3	PASADOR 8X20 PEDAL FRENO BE25622026 (u. 1)	OBSOLETO
	PASADOR 8X20 PEDAL FRENO 0/000.840.9101 (u. 1)	
4	CLAVILLA PASADOR FRENO 2X20 0/000.840.9102 (u. 1)	
	CLAVILLA PASADOR FRENO 2X20 BE25622027 (u. 1)	OBSOLETO
5	BOMBA FRENO TRAS.NISSIN R2MRC019=BE25622 BE25622010 (u. 1)	
6	INTERRUPTOR 23-016/1 STOP BOMBA NISSIN 3 BE250334003 (u. 1)	OBSOLETO
	INTERRUPTOR 23-016/1 STOP BOMBA NISSIN 3 0/000.720.9104 (u. 1)	
7	INTERRUPTOR 23.024/1 STOPO BOMBA NISSIN BE250034003/2 (u. 1)	OBSOLETO
	ARANDELA LATIGUILLO 10X14X1 BE25622007 (u. 1)	
9	RETEN RUEDA TT 2003 32X47X7 BE250318055 (u. 1)	
10	DIST.RUEDA TRAS.CORTO EC-2000 0/000.480.9104 (u. 1)	
	DIST.RUEDA TRAS.CORTO EC-2000 BE250018025 (u. 1)	OBSOLETO

11	EJE RUEDA TRAS. BE25618020 (u. 1)	
12	TORN.ESP.6X16 10.9 ZINC. T0206016 (u. 1)	OBSOLETO
	HEXAGONAL BOLT 6X16 BE250018029 (u. 1)	OBSOLETO
	TORN.ESP.6X16 DIN 6921 ZINC.10.9 0/000.460.9119 (u. 1)	
13	PLATINA (A) SUJ.PAS.TRAS.002-C80-001 BE250022090 (u. 1)	
14	TORN.SUJ.PINZA 012-C54-001 BE250022096 (u. 1)	
15	TAP.SANGRADOR NISSIN 009-Z51-015 BE250022055 (u. 1)	
16	SANGRADOR NISSIN 079-Z50-001 BE250022060 (u. 1)	
17	LATIG.FRENO TRAS.NISSIN BE250022004 (u. 1)	
18	JUEGO P.FRENO.TRAS.PM392 B BE250022068 (u. 1)	
19	D.FRENO.TRAS.EC250-2002 BE250222012 (u. 1)	
20	RADIO 170x4 INOX BE250118015SM (u. 1)	
21	RADIO 168x4 INOX BE250118014SM (u. 1)	
22	CAMARA TRAS.17 CG REF.R.1466 BE250118004SM (u. 1)	
23	PROT.3.25-3.5-4.00-18/19 RH12022 BE250118028SM (u. 1)	
24	SOP.PINZA TRAS.EC-2000 BE250022120 (u. 1)	
25	TORN.GUIA NISSIN 002-C46-086 BE250022092 (u. 1)	
26	GUARDAPOLVO NISSIN 002-C40-041 BE250022093 (u. 1)	OBSOLETO
	GUARDAPOLVO EC 002-C40-101 BE620682508 (u. 1)	
27	PINZA FRENO TRAS+SOP.EC-2003 BE250322001 (u. 1)	
28	PASADOR PASTILLAS TRAS.002-C50-053 BE250022094 (u. 1)	
29	PROTECC.PASADOR NISSIN 002-C51-012 BE250022095 (u. 1)	
30	NEUMATICO TRAS.150/60 ZR 17 66W PILOT SP BE250118005SM (u. 1)	
33	LLANTA TRAS.4.25x17 EC250 SM BE250118011SM (u. 1)	OBSOLETO
34	CUBO RUEDA TRAS.TT COLOR NG. BC25718027 (u. 1)	OBSOLETO
35	DISTAN.RUEDA TRAS.INTER.CUBO R575700 (u. 1)	
36	COJINETE 6004 2RS1 C160001 (u. 1)	
37	DIST.RUEDA TRAS.LARGO BE250318021 (u. 1)	

38	CORONA Z-42 0/000.500.9103 (u. 1)	
	CORONA Z-42 BE250118034SM (u. 1)	OBSOLETO
39	TUERCA AUTOBL.M-8 ALTA (DIN 982) T2108002 (u. 1)	OBSOLETO
40	ALLEN+8X30 TENS.CAD. T0408030 (u. 1)	OBSOLETO
	ALLEN CONICO 8X30 DIN 7991 ZINC 12.9 0/000.460.9153 (u. 1)	
41	TUERCA AUTOBL.RUEDA TRAS.PR80 DIA.32 ZIN BE25618023 (u. 1)	
42	CADENA RX3 PASOS 108 (INCL.ENGANCHE) BE250110036SM (u. 1)	
43	TUERCA RADIO D7 M4.5x0.75 EC250-2001 SUP BE250118016SM (u. 1)	
44	RETEN RUEDA DEL.TT 25x42x7 C160710 (u. 1)	
45	PLATINA (B) SUJ.PAST.TRAS.002-C53-101 BE250022091 (u. 1)	
46	PISTON PINZA FRENO TRAS.272-C34-O13 BE250022044 (u. 1)	
47	RETEN PISTON PINZA TRAS 270-C42-015 BE250022047 (u. 1)	
48	TORICA PISTON PINZA TRAS 270-C43-009 BE250022048 (u. 1)	
49	CTO.FRENO TRAS.PURGADO ENDURO 2003 BE250322118 (u. 1)	OBSOLETO
50	MUELLE DESVAP. M150000 (u. 1)	
58	RUEDA TRAS.EC250-2003 SUPERMOTARD BE250318100SM (u. 1)	OBSOLETO
	CTO.RUEDA TRAS.SUPERMOTARD 2009 NG. BFS55000SMCT4509 (u. 1)	OBSOLETO
59	TUBO DEP.LIQ.FRENO A BOMBA (60 CM.) BE250010116 (u. 1)	OBSOLETO
61	ARANDELA 8X16X1 ZINCADA PEDAL FRENO T4008018 (u. 1)	OBSOLETO
	ARANDELA 8X16X1 DIN 9021 ZINC 0/000.440.9129 (u. 1)	
62	BRIDA 2,5x100 T18ROS-PA66HS-BK 0/000.680.0081 (u. 1)	
	BRIDA nylon CORTA 2221-0 2.5X98 =P380003 BE25634010 (u. 1)	OBSOLETO
	BRIDA UNEX NYLON CORTA 2221-0 2.5X98 =P380003 0/000.660.9106 (u. 1)	
63	ARANDELA SUPLEMENTO CUBO RUEDA TRAS.EC09 BE555012509 (u. 1)	
64	COJINETE RUEDA TRAS.6005-2SRH C3 BE250318054 (u. 1)	
65	RACORD SUJ.LATIGUILLO 10X1,25(9257) BC25722006 (u. 1)	

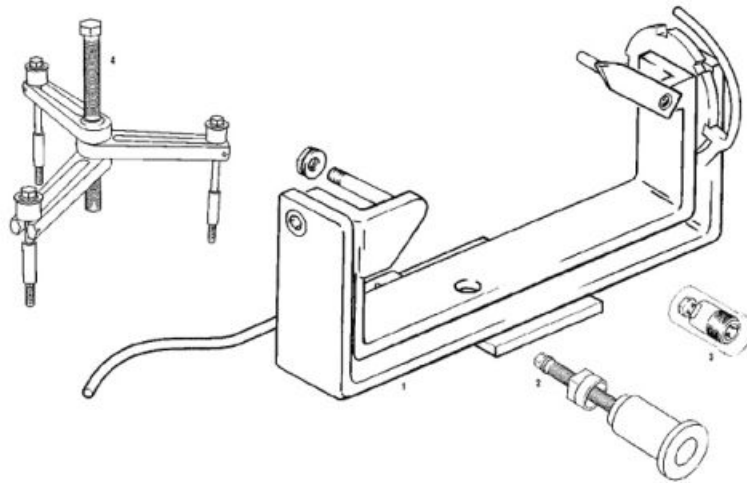
Conjunto de cables



1	CTO.MULTIFUNCION ENDURO 2003 BE250334045 (u. 1)	OBSOLETO
3	PASACABLES CTA.KM.ENDURO 2003 BE250334053 (u. 1)	
4	BLACK INDICATOR CAP BE250134043 (u. 1)	OBSOLETO
5	TESTIGO LUZ INTERMITENTES EC2001 BE250134036 (u. 1)	OBSOLETO
6	TESTIGO LUZ POSICION EC-2001 BE250134037 (u. 1)	OBSOLETO
7	LONG LIGHT INDICATOR BE250134038 (u. 1)	OBSOLETO
8	LIGHT CLIP BE250134042 (u. 1)	OBSOLETO
9	BOMBILLA 12516 12V TAB.PP PH12516 L300123 (u. 1)	OBSOLETO
10	OPTICA 307.17 (Reg.57) BE250220024 (u. 1)	
11	BOMBILLA 12v 25/25 AM0335 L300124 (u. 1)	OBSOLETO
12	INTERMITENTE IZQ.DEL.2005 0/000.150.9101 (u. 1)	
	Turn Lamp, Lt. Frt. Pampera 02 BE250134019 (u. 1)	OBSOLETO
	INTERMITENTE IZQ.DEL.2005 BE250634019 (u. 1)	OBSOLETO

	INST.ENDURO 250-2003 BE250334004 (u. 1) - EC	
13	INST.TT XC-2005 FARO HALOGENO BX250534014/2 (u. 1)	
	INST.TT XC-2000 BX250034014 (u. 1)	OBSOLETO
14	BRIDA UNEX NYLON 2244 16/102 4.8X36 0/000.660.9104 (u. 1)	
	ABRAZADERA INSTALACION 0/000.680.0060 (u. 1)	
	BRIDA UNEX 2244 16/102 4.8X36 BE25634007 (u. 1)	OBSOLETO
15	PIPA BUJIA LB05EMH=BT27934000 0/005.110.9100 (u. 1)	
	PIPA BUJIA BE25934000 (u. 1)	OBSOLETO
16	BOB.KOKUSAN IG512L ME250434006 (u. 1)	
17	FARO PILOTO PP 250-97 277.10 BP25734015 (u. 1)	
	CRISTAL PILOTO TRAS.PP BP25734115 (u. 1)	OBSOLETO
18	BOMBILLA 12V5-21W L300116 (u. 1)	OBSOLETO
20	INTERMITENTE DCH.TRAS.EC-2001 BE250134021 (u. 1)	OBSOLETO
	INTERMITENTE DCH.TRAS.2005 0/000.150.9102 (u. 1)	
	INTERMITENTE DCH.TRAS.2005 BE250634021/2 (u. 1)	OBSOLETO
21	TUERCA AUTOBL.BAJA M-6 (DIN 985) T2106001 (u. 1)	OBSOLETO
	TUERCA AUTOBL.BAJA M-6 DIN 985 ZN CR3 6 0/000.340.9113 (u. 1)	
22	CLAXON TT PE40045200 BE25634020 (u. 1)	
23	CAJA INTERMITENCIAS PE40355C00 L300720 (u. 1)	
24	ABRAZADERA INSTALACION 0/000.680.0060 (u. 1)	
	BRIDA UNEX NYLON 2244 4.8X20 0/000.660.9105 (u. 1)	
	BRIDA UNEX 2244 4.8X20 BE25634009 (u. 1)	OBSOLETO
25	KIT ADAPTACION CDI 2005 (2000-2004. ME200334007 (u. 1)	OBSOLETO
	CDI KOKUSAN CU7460 EC125-2001 AMARILLO ME120134007 (u. 1)	OBSOLETO
	CDI KOKUSAN EC-2000 CU-7448 MULTISPARK N ME250034007 (u. 1)	OBSOLETO
	CDI KOKUSAN 2001 CU7457 MULTISPARK ROJO ME250134007 (u. 1)	OBSOLETO
26	FARO PILOTO PP 250-97 277.10 BP25734015 (u. 1)	
	PILOTO TRAS.EC2002 277.11 BE250234015 (u. 1)	OBSOLETO

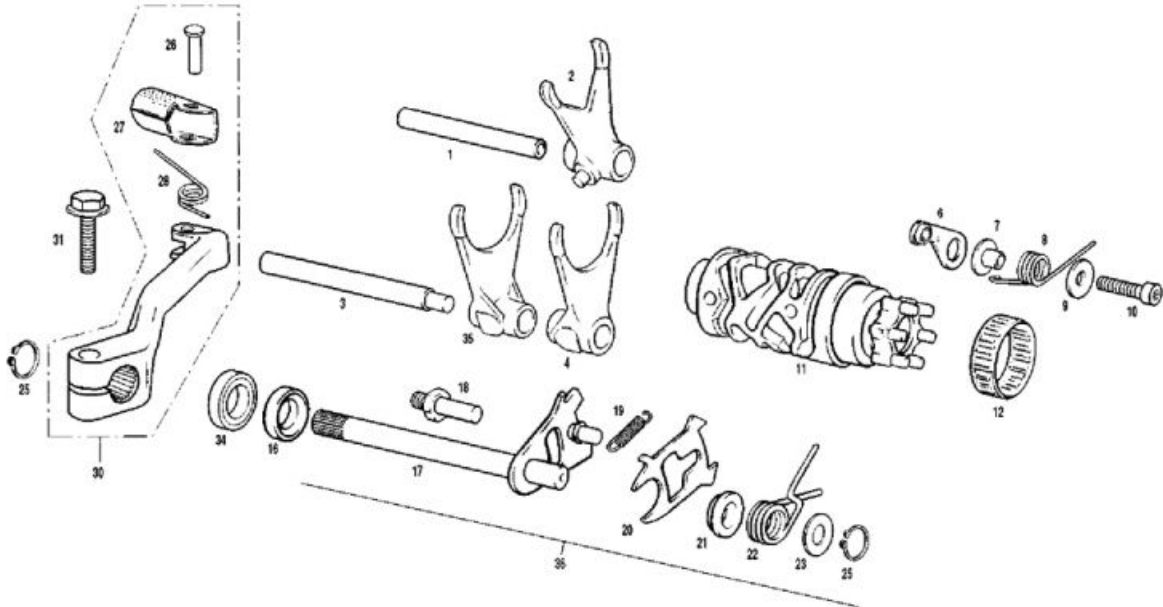
27	GOMA SUJ.CDI 0/000.360.9101 (u. 1)	
	GOMA SUJ.CDI BE250034100 (u. 1)	OBSOLETO
28	TORN.PHILIPS CHAPA 6.3x16 ZINCADO.NEGRO. T0706316 (u. 1)	OBSOLETO
29	SOP.INTER.DEL.DCH.O.EC2001 BE250134017 (u. 1) - 125	
30	SOP.INTERM.DEL.IZQ.EC2001 BE250134020 (u. 1) - 125	
31	TORN.ULS 6x16 PL.PRIM,GUAR,FIL NG. T0506016N (u. 1)	OBSOLETO
	ULS 6x16 ISO 7380-1 NEGRO 12.9 0/000.460.9156 (u. 1)	
32	TUERCA+ARAN.M-6 (DIN 6923) ESTR. T2206000 (u. 1)	OBSOLETO
	TUERCA+ARAN.M-6 ESTR. DIN 6923 ZINC 8 0/000.340.9116 (u. 1)	
33	INTERMITENTE IZQ.TRAS.2005 0/000.150.9103 (u. 1)	
	INTERMITENTE IZQ.TRAS.2005 BE250634022/2 (u. 1)	OBSOLETO
	INTERMITENTE IZQ.TRAS.EC-2001 BE250134022 (u. 1)	OBSOLETO
34	INTERMITENTE DCH.O.DEL.EC-2001 BE250134018 (u. 1) - 125	
35	BOMBILLA 12V 10W L200118 (u. 1) - 125	
36	CRISTAL INTERMITENTE ENDURO 2001 BE250134120 (u. 1) - 125	
37	REGUL.ALTERNADOR 415 C = ME25634009 L300031 (u. 1) - 125	
38	CABLEADO CTA.KM. BE250134023 (u. 1) - 125	
39	ALARGO ENCENDIDO CROSS BC250034016 (u. 1)	OBSOLETO
40	BOTON DE PARO KE9B CEX BC250334055 (u. 1) - MX125	
41	BRIDA UNEX NYLON 3.6x140 LATIG.EMBR. 0/000.680.9100 (u. 1)	
	ABRAZADERA INSTALACION 0/000.680.0060 (u. 1)	
	BRIDA NYLON 3.6x140 LATIG.EMBR. BE250022031 (u. 1)	OBSOLETO
43	TORN.PHILIPS CABOTA ANCHA T0706013 (u. 1) - 125	
44	CABLE MULTIFUNCION TT 2003 BE250334050 (u. 1)	OBSOLETO

Herramientas de asistencia 125


1	BANCADA MONT.MOTOR BT27950050 (u. 1)	OBSOLETO
2	EXTRACTOR COJINETE CIGUEÑAL ME25950000 (u. 1)	OBSOLETO
3	KOKUSAN FLYWHEEL EXTRACTOR ME25634045 (u. 1)	OBSOLETO
	EXTRACTOR VOL.MAG.KUKUSAN 5238 M04015001 (u. 1)	
4	EXTRACTOR CARTER ME25950005 (u. 1)	OBSOLETO

EC - MX - SM 2T 125-200-250-300 2004- Engine

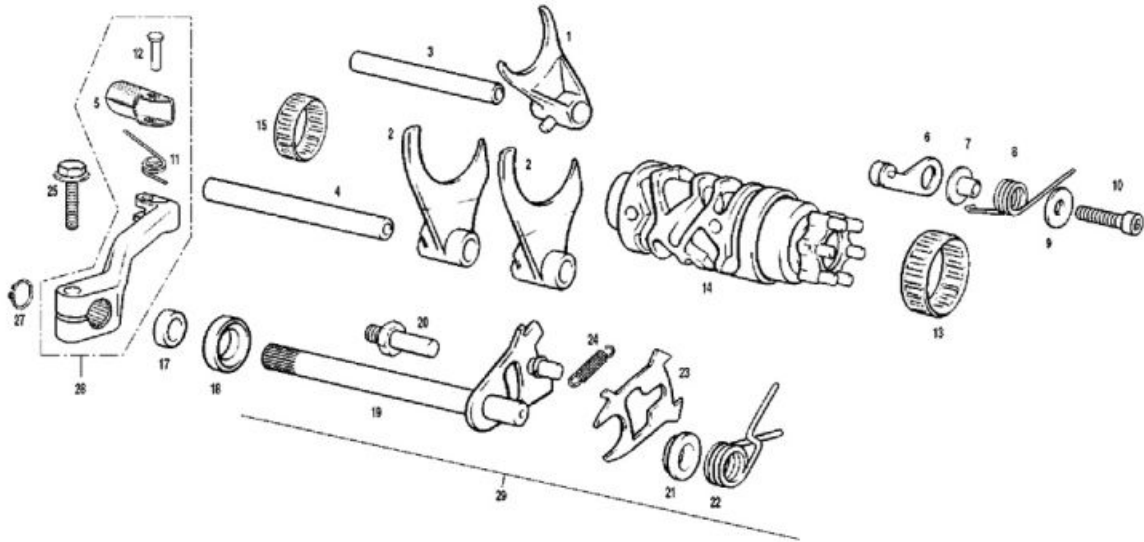
Arbol selector cambio 125



1	EJE HORQ.CORTO EC125-2001 ME120136045 (u. 1)	OBSOLETO
2	HORQ.PRIM.5-6 ME120136009 (u. 1)	OBSOLETO
3	EJE HORQ.LARGO ME120136044 (u. 1)	
4	HORQ.SEC.1-4 EC125-2001 ME120136008 (u. 1)	OBSOLETO
7	CASQU.PLATINA FIJ.MARCHAS ME25636047 (u. 1)	OBSOLETO
	CASQU.PLATINA FIJ.MARCHAS 0/000.480.9122 (u. 1)	
8	MUELLE FIJADOR MARCHAS EC125cc ME120136034 (u. 1)	
9	ARANDELA PLANA 6.5X16X1.5 DIN 125 ZINC 0/000.440.9125 (u. 1)	
	ARANDELA PLANA 6.5X16X1.5 T4006016 (u. 1)	OBSOLETO
10	ALLEN 6X25 TA.EMB,CART,SUSP.12.9 T0306025 (u. 1)	
11	DESMODROMICO EC125-2004 ME120436031 (u. 1)	OBSOLETO
12	ROD.DESMO.HK3512=M03650000 ME25636054 (u. 1)	OBSOLETO
	ROD.DESMO.HK3512=M03650000 0/000.960.9110 (u. 1)	
16	CASQ.EJE SELEC. ME250136050 (u. 1)	

17	CTO.EJE SELEC.EC125-2002 ME120236038 (u. 1)	OBSOLETO
	EJE SELEC.EC125 COMP. ME120236038CT (u. 1)	
18	TORN.CENTR.MUELLE SELEC. 0/000.460.9110 (u. 1)	OBSOLETO
	TORN.CENTR.MUELLE SELEC. ME25636042 (u. 1)	
19	MUELLE ESCORPION 250.TT. ME25636039 (u. 1)	
20	ESCORPION EC250-2002 ME250236036 (u. 1)	
21	DOLLA CENTRADOR ESCORPION EC250-2002 ME250236041 (u. 1)	
22	MUELLE SELEC. ME25636035 (u. 1)	
23	ARANDELA 12,10/12.25x22x3 EJE SELEC. T4012022 (u. 1)	OBSOLETO
25	SEEGER 12X1 DIN 471 0/000.300.9104 (u. 1)	OBSOLETO
	SEEGER 12X1 EXT.EJE SELEC. ME25636043 (u. 1)	
26	PASADOR PUNT.PEDAL 6X18 =M03810010 ME25636030 (u. 1)	
27	PUNTERA PEDAL CAMBIO TRIAL ME25636027 (u. 1)	
28	MUELLE PUNTERA PEDAL CAMBIO ME25636029 (u. 1)	
30	PEDAL CAMBIO EC125-2003 ME120336026 (u. 1)	
31	TORN.ESP.6x20 DIN 6921 GEOMET 10.9 0/000.460.9120 (u. 1)	OBSOLETO
	TORN.ESP.6x20 10.9 ZINC.(CEX) T0206020 (u. 1)	
34	RETEN SELEC.12-19-5 AS-CC ME120136048 (u. 1)	
35	HORQ.SEC.2-3 EC125-2001 ME120136108 (u. 1)	OBSOLETO
36	EJE SELEC.EC125 COMP. ME120236038CT (u. 1)	

Arbol selector cambio 200-250-300

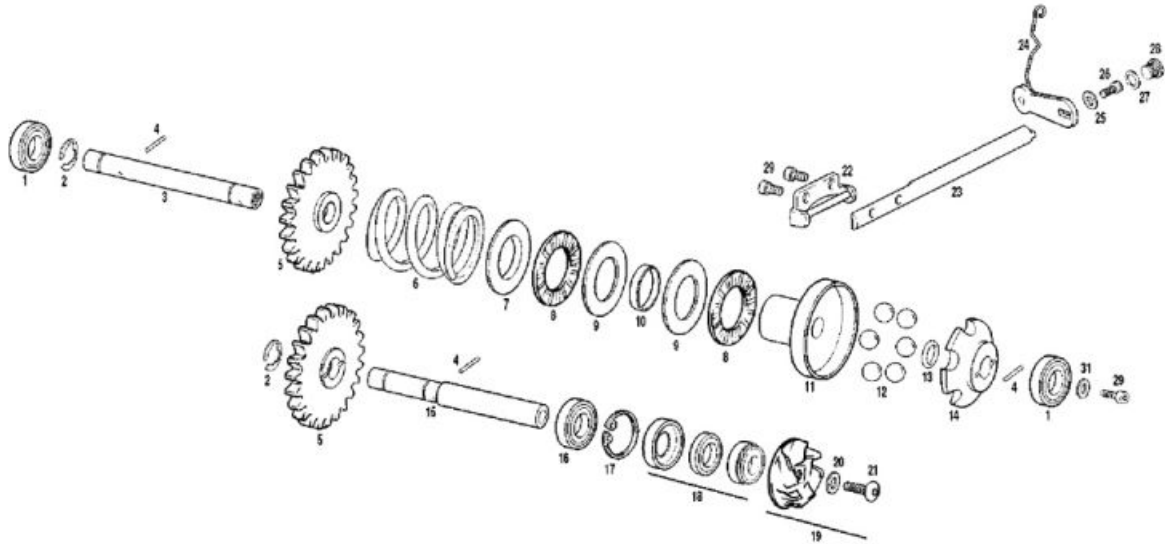


	HORQ.5-6 ME25636009 (u. 1)	OBSOLETO
1	HORQ.5-6 0/005.330.9101 (u. 1)	
	HORQ.3-4 CROSS MC25836009 (u. 1)	OBSOLETO
2	HORQ.1-2-3-4 ME25636008 (u. 1)	OBSOLETO
	HORQ.1-2 CROSS MC25836008 (u. 1)	OBSOLETO
	HORQ.1-2-3-4 0/005.330.9100 (u. 1)	OBSOLETO
3	EJE HORQ.CORTO 0/000.190.9107 (u. 1)	
	EJE HORQ.CORTO ME25636045 (u. 1)	OBSOLETO
4	EJE HORQ.LARGO ME25636044 (u. 1)	OBSOLETO
	EJE HORQ.LARGO 0/000.190.9106 (u. 1)	
5	PUNTERA PEDAL CAMBIO TRIAL ME25636027 (u. 1)	
6	FIJADOR MARCHAS EC COMP. ME250036033CT (u. 1)	OBSOLETO
	FIJADOR MARCHAS EC-2000 ME250036033 (u. 1)	OBSOLETO
	FIJADOR MARCHAS EC COMP. 0/005.560.9100 (u. 1)	

7	CASQU.PLATINA FIJ.MARCHAS 0/000.480.9122 (u. 1)	
	CASQU.PLATINA FIJ.MARCHAS ME25636047 (u. 1)	OBSOLETO
8	MUELLE FIJADOR MARCHAS EC-2000 ME250036034 (u. 1)	OBSOLETO
	MUELLE FIJADOR MARCHAS EC-2000 0/000.470.9108 (u. 1)	
9	ARANDELA PLANA 6.5X16X1.5 T4006016 (u. 1)	OBSOLETO
	ARANDELA PLANA 6.5X16X1.5 DIN 125 ZINC 0/000.440.9125 (u. 1)	
10	ALLEN 6X25 TA.EMB,CART,SUSP.12.9 T0306025 (u. 1)	
11	MUELLE PUNTERA PEDAL CAMBIO ME25636029 (u. 1)	
12	PASADOR PUNT.PEDAL 6X18 =M03810010 ME25636030 (u. 1)	
13	ROD.DESMO.HK3512=M03650000 ME25636054 (u. 1)	OBSOLETO
	ROD.DESMO.HK3512=M03650000 0/000.960.9110 (u. 1)	
14	DESMODROMICO EC-2005 0/005.090.9100 (u. 1)	
	DESMODROMICO EC-2000 ME250036031 (u. 1)	OBSOLETO
	DESMODROMICO CROSS 97 4 MARCHAS MC25736031 (u. 1)	OBSOLETO
	DESMODROMICO EC-2005 ME250536031 (u. 1)	OBSOLETO
15	RODAM.DESMODROMICO HK2512 =M03645000 0/000.960.9111 (u. 1)	
	RODAM.DESMODROMICO HK2512 =M03645000 ME25636055 (u. 1)	OBSOLETO
17	RETEN SELEC.12-22-7 AS-CC =M03821000 0/000.890.9107 (u. 1)	
	RETEN SELEC.12-22-7 AS-CC =M03821000 ME25636048 (u. 1)	OBSOLETO
18	CASQ.EJE SELEC. ME250136050 (u. 1)	
19	EJE SELEC.EC250-2002 ME250236038 (u. 1)	OBSOLETO
	EJE SELEC.COMP.EC250 0/005.010.9100 (u. 1)	
	EJE SELEC.COMP.EC250 ME250236038CT (u. 1)	OBSOLETO
20	TORN.CENTR.MUELLE SELEC. 0/000.460.9110 (u. 1)	
	TORN.CENTR.MUELLE SELEC. ME25636042 (u. 1)	OBSOLETO
21	DOLLA CENTRADOR ESCORPION EC250-2002 ME250236041 (u. 1)	
22	MUELLE SELEC. ME25636035 (u. 1)	
23	ESCORPION EC250-2002 ME250236036 (u. 1)	

24	MUELLE ESCORPION 250.TT. ME25636039 (u. 1)	
25	TORN.ESP.6x20 10.9 ZINC.(CEX) T0206020 (u. 1)	OBSOLETO
	TORN.ESP.6x20 DIN 6921 GEOMET 10.9 0/000.460.9120 (u. 1)	
27	SEEGER 12X1 EXT.EJE SELEC. ME25636043 (u. 1)	OBSOLETO
	SEEGER 12X1 DIN 471 0/000.300.9104 (u. 1)	
28	PEDAL CAMBIO EC125-2003 ME120336026 (u. 1)	
	PEDAL CAMBIO EC-2000 ME250036026 (u. 1)	OBSOLETO
29	EJE SELEC.COMP.EC250 ME250236038CT (u. 1)	OBSOLETO
	EJE SELEC.COMP.EC250 0/005.010.9100 (u. 1)	

Bomba agua 125

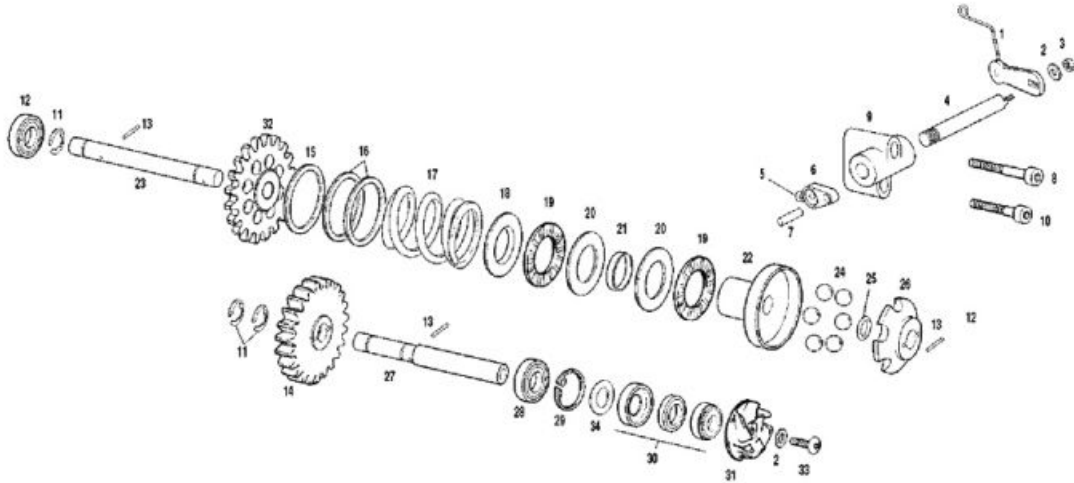


1	RODA.EJE CENTRI.Y BOMBA 608.Z.C3 0/000.960.9108 (u. 1)	
	RODA.EJE CENTRI.Y BOMBA 608.Z.C3 ME25616032 (u. 1)	OBSOLETO
2	SEEGER DIN 6799 E-7 ME25616024 (u. 1)	OBSOLETO
	SEEGER DIN 6799 E-7 0/000.300.9103 (u. 1)	
3	EJE CENTRIFUGO EC125-2003 ME120316005 (u. 1)	OBSOLETO
4	RODILLO 3X14 .DIN 7 ISO 2338 INOX A1 BOMBA AGUA CENTRIFUGO 0/000.280.9101 (u. 1)	
	RODILLO 3X14 BOMBA AGUA CENTRI. ME25616028 (u. 1)	OBSOLETO
5	PIÑOM BOMBA AGUA Y CENTRIFUGO ME120110005 (u. 1)	
6	MUELLE CENTRIFUGO VALV.ESCAPE ME120116026 (u. 1)	
7	ARANDELA CENTRAJE MUELLE CENTRIFUGO ME25616029 (u. 1)	
8	JAULA AGUJA VALV.ESCAPE AXK 1528 0/000.960.9109 (u. 1)	
	JAULA AGUJA VALV.ESCAPE AXK 1528 ME25632046 (u. 1)	OBSOLETO
9	PLACA AGUJA ROD.BOLET Y VAL.ESCAPE AS 15 ME25632016 (u. 1)	OBSOLETO
	PLACA AGUJA ROD.BOLET Y VAL.ESCAPE AS 15 0/000.440.9107 (u. 1)	
10	SEP.COJINETE CENTRIFUGO ME25616008 (u. 1)	

11	CAMPANA CENTRIFUGA ME25616007 (u. 1)	
12	BOLA CENTRIFUGO EMB.DE 8 m/m. ME25616033 (u. 1)	
13	TORICA 6X2 EJE CENTR.VAL.ESCAPE ME25616045 (u. 1)	
14	ESTRELLA CENTRIFUGO 6 BOLAS ME25916006 (u. 1)	
15	EJE PIÑON BOMBA AGUA ME25610006 (u. 1)	OBSOLETO
	EJE PIÑON BOMBA AGUA 0/000.190.9104 (u. 1)	
16	RODAM.BOMBA AGUA 6000C3Z =M03313001 ME25610010 (u. 1)	OBSOLETO
	RODAM.BOMBA AGUA 6000C3Z =M03313001 0/000.960.9107 (u. 1)	
17	SEEGER D.26 DIN 472-I26 0/000.300.9106 (u. 1)	
	SEEGER INT.26 B.AGUA=M03314012 DIN 472-I26 ME25636065 (u. 1)	OBSOLETO
18	RETEN BOMBA AGUA (ESTOPADA) 1510 CA/CE 1 ME25610011 (u. 1)	OBSOLETO
	RETEN BOMBA AGUA (ESTOPADA) 1510 CA/CE 1 0/000.890.9104 (u. 1)	
19	TURBINA BOMBA AGUA 2014 ME56000GG-CAB-1 (u. 1)	OBSOLETO
	TURBINA BOMBA AGUA 2014 0/005.220.9100 (u. 1)	
	TURBINA BOMBA AGUA ME25610007 (u. 1)	OBSOLETO
20	ARANDELA PLANA 6X12X1.5 DIN 125 ZINC 0/000.440.9124 (u. 1)	
	ARANDELA PLANA 6X12X1.5 (DIN 125) T4006012 (u. 1)	OBSOLETO
21	TORNILLO ULS 6X16 ISO 7380-1 ZINC 12.9 T0506016 (u. 1)	
22	CTO.PALANCA SALIDA CENTRIFUGO EC125-2001 ME120116009 (u. 1)	
23	EJE PALANCA CENTRIFUGO EC125-2001 ME120116011 (u. 1)	OBSOLETO
24	CTO.PALANCA VARILLA EC125-2001 ME120116110 (u. 1)	
25	ARANDELA 5X12X1.5 T4005012 (u. 1)	OBSOLETO
	ARANDELA 5X12X1.5 DIN 125A ZINC 0/000.440.9121 (u. 1)	
26	ALLEN 5x16 DRACOMET T0305016 (u. 1)	
	ALLEN 5x15 DRACOMET T0305015 (u. 1)	OBSOLETO
27	ARANDELA COBRE 12X18X1.5 ME25810030 (u. 1)	

	TAP.LLENADO ACEITE =M01016002 ME25610016 (u. 1)	OBSOLETO
28	TAP.LLENADO ACEITE =ME25610016 M01016002 (u. 1)	
	TAPON VACIADO ACEITE+IMAN ME25610017 (u. 1)	
29	ALLEN 4x8 DIN 912 ZINCADO PLATA 8.8 T0304008 (u. 1)	

Bomba agua 200-250-300

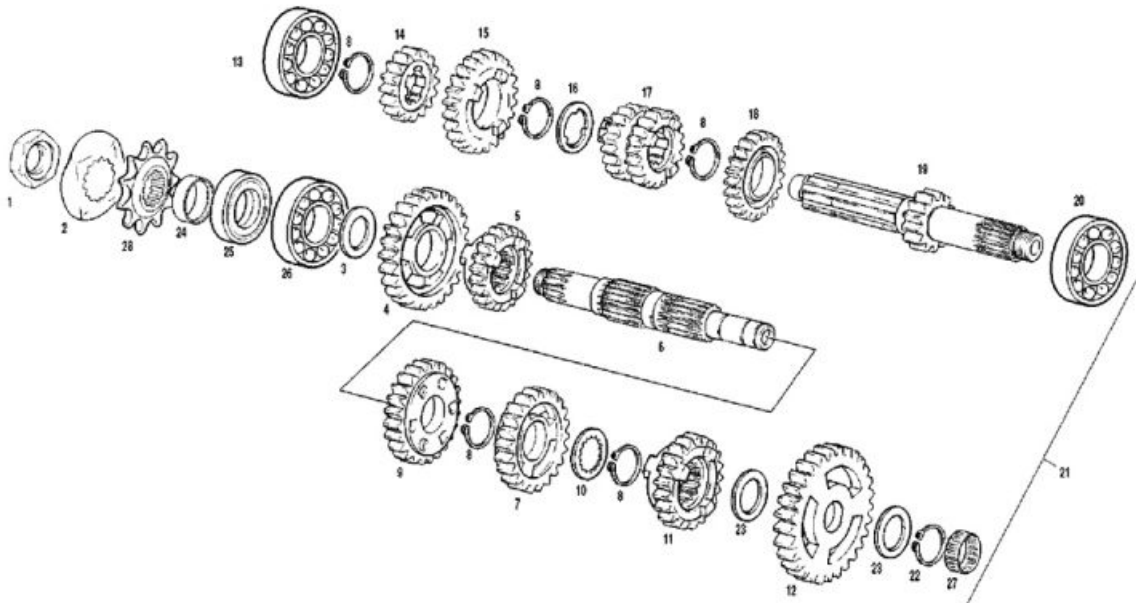


1	CTO.PALANCA VARILLA ME25616110 (u. 1)	OBSOLETO
	CTO.PALANCA VARILLA COMP. ME250216115 (u. 1)	
2	ARANDELA 5X12X1.5 T4005012 (u. 1)	OBSOLETO
	ARANDELA 5X12X1.5 DIN 125A ZINC 0/000.440.9121 (u. 1)	
3	TUERCA AUTOBL. M-5 BAJA DIN-985 ZINC 8 0/000.340.9112 (u. 1)	OBSOLETO
	TUERCA AUTOBL.DIN-985 M-5 ZN BAJA T2105000 (u. 1)	
4	EJE PALANCA CENTRIFUGO ME25616011 (u. 1)	
5	ALLEN 5 X 6 (12.9) T0305006 (u. 1)	
6	PALANCA SALIDA CENTRIFUGO COMPL. ME25616009CT (u. 1)	OBSOLETO
	PALANCA SALIDA CENTRIFUGO ME25616009 (u. 1)	
7	AGUJA 4X15.8 VALV.ESCAPE ME25616037 (u. 1)	OBSOLETO
	PALANCA SALIDA CENTRIFUGO COMPL. ME25616009CT (u. 1)	
8	ALLEN 6X50 DIN 912 12.9 COMPLETAMENTE ROSCADO GEOMET T0306050 (u. 1)	OBSOLETO
9	SOP.EJE MANDO VALV.TT-250 ME25616025 (u. 1)	OBSOLETO
10	ALLEN 6X35 12.9 T0306035 (u. 1)	

11	SEEGER DIN 6799 E-7 0/000.300.9103 (u. 1)	
	SEEGER DIN 6799 E-7 ME25616024 (u. 1)	OBSOLETO
12	RODA.EJE CENTRI.Y BOMBA 608.Z.C3 ME25616032 (u. 1)	OBSOLETO
	RODA.EJE CENTRI.Y BOMBA 608.Z.C3 0/000.960.9108 (u. 1)	
13	RODILLO 3X14 .DIN 7 ISO 2338 INOX A1 BOMBA AGUA CENTRIFUGO 0/000.280.9101 (u. 1)	
	RODILLO 3X14 BOMBA AGUA CENTRI. ME25616028 (u. 1)	OBSOLETO
14	PIÑON BOMBA AGUA Y CENTRI. 0/005.400.9111 (u. 1)	
	PIÑON BOMBA AGUA Y CENTRI. ME25610005 (u. 1)	OBSOLETO
15	VOLAN.RECL.MUELLE VAL.ESCAPE 31.5X22.5X0 ME25616076 (u. 1)	
16	VOLAN.REGLAJE MUELLE VAL.ESCAPE 31.5X22. ME25616077 (u. 1)	
17	MUELLE CENTRIFUGO VALV.ESC.99 ME25916026 (u. 1)	
18	ARANDELA CENTRAJE MUELLE CENTRIFUGO ME25616029 (u. 1)	
19	JAULA AGUJA VALV.ESCAPE AXK 1528 0/000.960.9109 (u. 1)	
	JAULA AGUJA VALV.ESCAPE AXK 1528 ME25632046 (u. 1)	OBSOLETO
20	PLACA AGUJA ROD.BOLET Y VAL.ESCAPE AS 15 ME25632016 (u. 1)	OBSOLETO
	PLACA AGUJA ROD.BOLET Y VAL.ESCAPE AS 15 0/000.440.9107 (u. 1)	
21	SEP.COJINETE CENTRIFUGO ME25616008 (u. 1)	
22	CAMPANA CENTRIFUGA ME25616007 (u. 1)	
23	EJE CENTRIFUGO ME25616005 (u. 1)	
24	BOLA CENTRIFUGO EMB.DE 8 m/m. ME25616033 (u. 1)	
25	TORICA 6X2 EJE CENTR.VAL.ESCAPE ME25616045 (u. 1)	
26	ESTRELLA CENTRIFUGO 6 BOLAS ME25916006 (u. 1)	
27	EJE PIÑON BOMBA AGUA ME25610006 (u. 1)	OBSOLETO
	EJE PIÑON BOMBA AGUA 0/000.190.9104 (u. 1)	
28	RODAM.BOMBA AGUA 6000C3Z =M03313001 0/000.960.9107 (u. 1)	
	RODAM.BOMBA AGUA 6000C3Z =M03313001 ME25610010 (u. 1)	OBSOLETO
29	SEEGER INT.26 B.AGUA=M03314012 DIN 472-I26 ME25636065 (u. 1)	OBSOLETO
	SEEGER D.26 DIN 472-I26 0/000.300.9106 (u. 1)	

30	RETEN BOMBA AGUA (ESTOPADA) 1510 CA/CE 1 ME25610011 (u. 1)	OBSOLETO
	RETEN BOMBA AGUA (ESTOPADA) 1510 CA/CE 1 0/000.890.9104 (u. 1)	
31	TURBINA BOMBA AGUA 2014 0/005.220.9100 (u. 1)	
	TURBINA BOMBA AGUA ME25610007 (u. 1)	OBSOLETO
	TURBINA BOMBA AGUA 2014 ME56000GG-CAB-1 (u. 1)	OBSOLETO
32	CENTRIFUGO COMP.EC250-2004 ME250416005CT (u. 1)	
	PIÑÓN CENTRIFUGO 2012 ME580012511 (u. 1)	
	PIÑÓN CENTRIFUGO 2003 ME250310005 (u. 1)	OBSOLETO
33	TORNILLO ULS 6X16 ISO 7380-1 ZINC 12.9 T0506016 (u. 1)	
34	ARANDELA 25.8x17.5x0.5 BOMBA AGUA 0/000.440.9103 (u. 1)	
	ARANDELA 25.8x17.5x0.5 BOMBA AGUA M03625000 (u. 1)	OBSOLETO

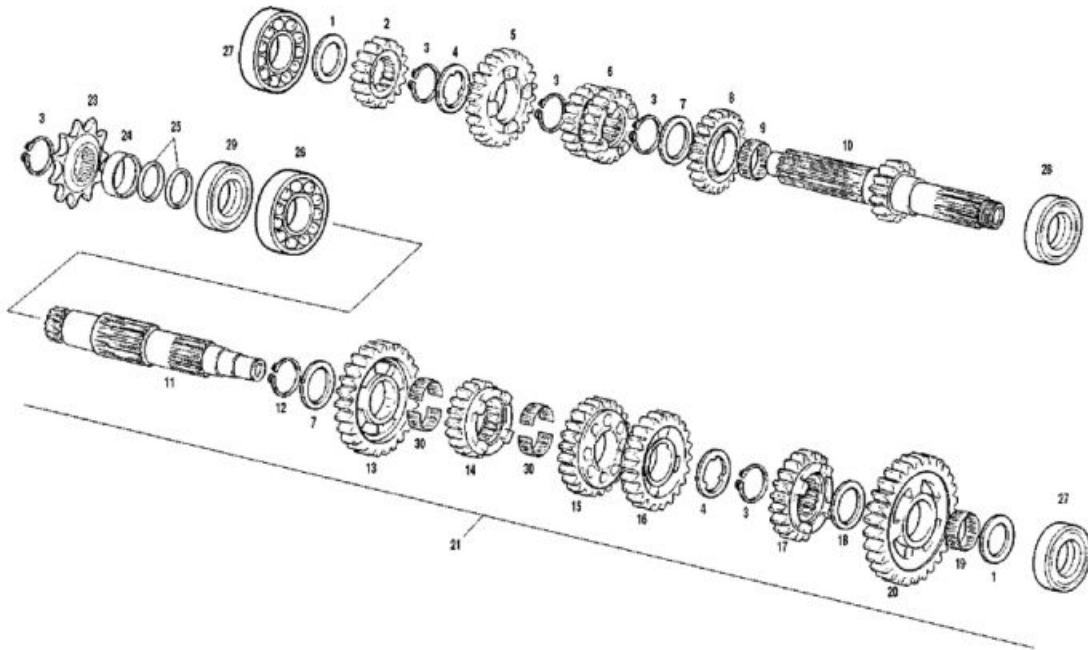
Cambio 125



1	TUERCA FIJ.PIÑON SALIDA EC125-2001 ME120136021 (u. 1)	
2	ARANDELA PRECINTO PIÑON SALIDA EC125cc ME120136121 (u. 1)	
3	ARANDELA CAMBIO 20x34x2 ME120136101 (u. 1)	OBSOLETO
4	PIÑON II SECUNDARIO TT 125 Z-28 ME120136077 (u. 1)	
5	PIÑON VI SECUNDARIO TT 125 Z-24 ME120136081 (u. 1)	
6	EJE SECUNDARIO 125CC. ME120136075 (u. 1)	
7	PIÑON IV SECUNDARIO TT 125 Z-27 ME120136079 (u. 1)	
8	CIRCLIP E22 DIN 471 MT280236166 (u. 1)	
9	PIÑON III SECUNDARIO TT 125 Z-26 ME120136078 (u. 1)	
10	ARANDELA CAMBIO,ESTR.A22x19.5 DIN 5480 ME120136091 (u. 1)	
11	PIÑON V SECUNDARIO TT 125 Z-26 ME120136080 (u. 1)	
12	PIÑON I SECUNDARIO TT 125 Z-30 ME120136076 (u. 1)	
13	RODAM.6202/C3 ME120136057 (u. 1)	
14	PIÑON II PRIMARIO Z-15 ME120136071 (u. 1)	
15	PIÑON VI PRIMARIO Z-24 ME120136074 (u. 1)	

16	ARANDELA PRIMARIO 3 PUNTAS ME120136100 (u. 1)	
17	PIÑON III/IV PRIMARIO Z-17/Z-21 ME120136072 (u. 1)	
18	PIÑON V PRIMARIO Z-23 ME120136073 (u. 1)	
19	EJE PRIMARIO 125CC. ME120136070 (u. 1)	
20	RODAM.6204-ZC4 PRIMARIO ME120136056 (u. 1)	
21	GRUPO CAMBIO COMP.EC125-2005 ME120536010 (u. 1)	OBSOLETO
	GRUPO CAMBIO COMP.EC125-2001 ME120136010 (u. 1)	OBSOLETO
22	SEEGER EJE 15 EMBR. ME25632017 (u. 1)	
23	VOLANDERA CAMBIO 24x15.15x0.4 ME120136012 (u. 1)	OBSOLETO
24	CASQ.PIÑON SALIDA EC125-2001 ME120136046 (u. 1)	
25	RETEN 28x38x7 DOBLE LABIO PIÑON SALIDA E ME120136024 (u. 1)	
26	RODAM.SEC.6304/C3 ME120136058 (u. 1)	
27	COJINETE TR152512 SECUNDARIO EC125cc ME120136157 (u. 1)	
28	PIÑON SALIDA TG336X13T ME120136025 (u. 1)	

Cambio 200-250-300

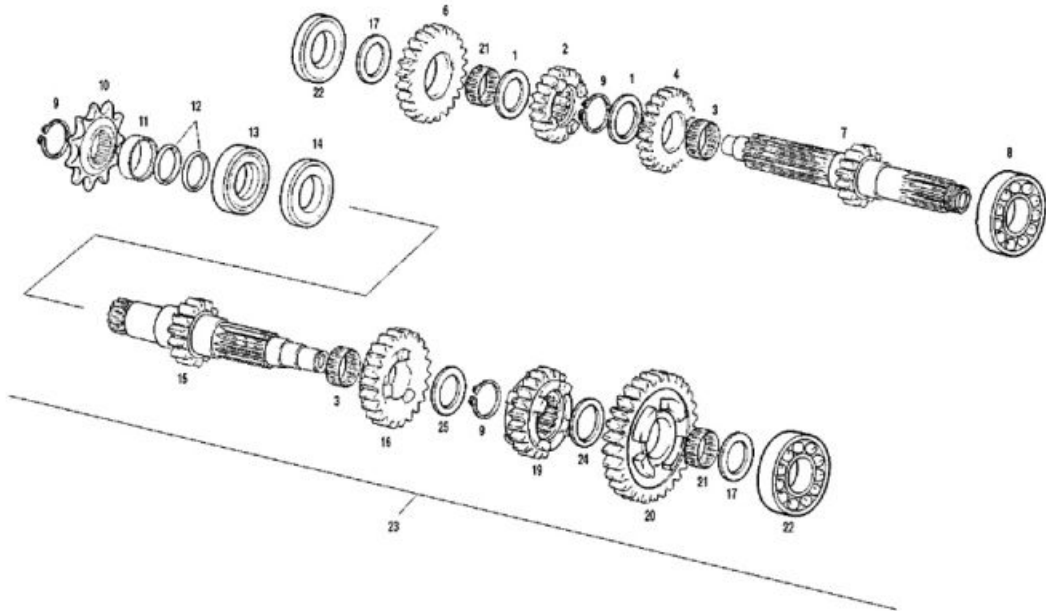


1	ARANDELA 18X31.5X0.7 CAMBIO ME25636014 (u. 1)	
2	PIÑÓN PRIMARIO II Z-16 ME25636071 (u. 1)	
3	CIRCLIP D.25 DIN 471 ME25936084 (u. 1)	OBSOLETO
	CIRCLIP D.25 DIN 471 0/000.300.9107 (u. 1)	
4	ARANDELA 31.5X(25X22)X1 SEC.3-4 ESTR.CAM ME25636091 (u. 1)	
5	PIÑÓN PRIMARIO VI Z-24 ME25636074 (u. 1)	
6	PIÑÓN PRIMARIO III Y IV ME25636072 (u. 1)	
7	ARANDELA 25.2X31.5X1 CAMBIO ME25636017 (u. 1)	
8	PIÑÓN PRIMARIO V Z-23 ME25636073 (u. 1)	
9	COJINETE AGUJAS K25-29-10 M02616000 (u. 1)	OBSOLETO
	COJINETE AGUJAS K25-29-10 0/000.960.9104 (u. 1)	
10	EJE PRIMARIO TT ME25636070 (u. 1)	OBSOLETO
	EJE PRIMARIO EC 250-2002 ME250236070 (u. 1)	
11	EJE SECUNDARIO EC 250-2002 ME250236075 (u. 1)	
12	CIRCLIP D.25 DIN 983 =25049255 ME25636095 (u. 1)	

13	PIÑÓN SECUNDARIO II 7-26 ME250136077 (u. 1)	
	PIÑÓN SECUNDARIO II Z-26 ME25636077 (u. 1)	OBSOLETO
14	PIÑÓN SECUNDARIO VI Z-19 ME250136081 (u. 1)	
15	PIÑÓN SECUNDARIO III Z-24 ME25636078 (u. 1)	
16	PIÑÓN SECUNDARIO IV Z-22 ME25636079 (u. 1)	
17	PIÑÓN SECUNDARIO V Z-21 ME25636080 (u. 1)	
18	ARANDELA 20.8X29X1 CAMBIO ME25636016 (u. 1)	
19	RODA.AGUJ.K20X24X10 0/000.960.9114 (u. 1)	
	RODA.AGUJ.K20X24X10 ME25636059 (u. 1)	OBSOLETO
20	PIÑÓN SECUNDARIO I Z-29 ME25636076 (u. 1)	
21	GRUPO CAMBIO COMP.EC250-2002 ME250236010 (u. 1)	OBSOLETO
	CTO. CAMBIO MARCHAS ME40000CT-CSK-1 (u. 1)	OBSOLETO
	CTO. CAMBIO MARCHAS 0/005.400.9107 (u. 1)	
	CTO.CAMBIO COMP.EC-2008 ME40000CT2508 (u. 1)	OBSOLETO
23	PIÑÓN SALIDA TG421X13T 0/005.400.9112 (u. 1)	
	PIÑÓN SALIDA TG421X12T MF25836025 (u. 1)	OBSOLETO
	PIÑÓN SALIDA TG421X12T 0/005.400.9113 (u. 1)	
	PIÑÓN SALIDA TG421X13T ME25636025 (u. 1)	OBSOLETO
24	DOLLA RETEN SALIDA CAMBIO ME25636046 (u. 1)	OBSOLETO
	DOLLA RETEN SALIDA CAMBIO 0/000.260.9100 (u. 1)	
25	TORICA 25 X 2 NBR PIÑ SAL. 0/000.490.9107 (u. 1)	
	TORICA 25 X 2 NBR PIÑ SAL. ME25632025 (u. 1)	OBSOLETO
26	RODAM.CAMBIO 6305 C3 ME25636058 (u. 1)	OBSOLETO
	RODAM.CAMBIO 6305 C3 0/000.960.9113 (u. 1)	
27	RODAM.CAMBIO 6203C3 ME25636057 (u. 1)	OBSOLETO
	RODAM.CAMBIO 6203C3 0/000.960.9112 (u. 1)	
28	RODAM.CAMBIO 6205-RSH/C3 ME250136056 (u. 1)	OBSOLETO
	RODAM.CAMBIO 6205-RSH/C3 0/000.960.9106 (u. 1)	

29	RETEN 30X40X7 DOBLE LABIO.PIÑ.SAL. 0/000.890.9106 (u. 1)	
	RETEN 30X40X7 DOBLE LABIO.PIÑ.SAL. ME25636024 (u. 1)	OBSOLETO
30	JAULA AGUJAS KD22x25x9.8 GRUPO CAMBIO ME250236102 (u. 1)	OBSOLETO
	JAULA AGUJAS KD22x25x9.8 GRUPO CAMBIO 0/005.150.9101 (u. 1)	

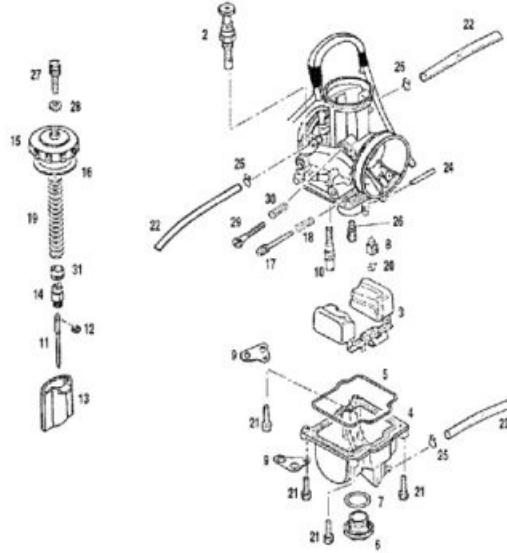
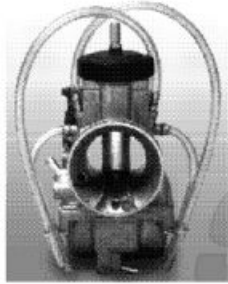
Cambio MX250



1	ARANDELA 20.8X29X1 CAMBIO ME25636016 (u. 1)	
2	PIÑÓN II PRIMARIO Z-18 MC25836071 (u. 1)	OBSOLETO
3	COJINETE AGUJAS K25-29-13 EMBR. ME120132031 (u. 1)	
4	PIÑÓN III PRIMARIO Z-20 MC25836072 (u. 1)	OBSOLETO
6	PIÑÓN IV PRIMARIO Z-23 MC25836073 (u. 1)	OBSOLETO
7	EJE PRIMARIO Z-16 MC25836070 (u. 1)	OBSOLETO
8	RODAM.CAMBIO 6205-RSH/C3 0/000.960.9106 (u. 1)	OBSOLETO
	RODAM.CAMBIO 6205-RSH/C3 ME250136056 (u. 1)	
9	CIRCLIP D.25 DIN 471 0/000.300.9107 (u. 1)	OBSOLETO
	CIRCLIP D.25 DIN 471 ME25936084 (u. 1)	
10	PIÑÓN SALIDA TG421X13T ME25636025 (u. 1)	OBSOLETO
	PIÑÓN SALIDA TG421X13T 0/005.400.9112 (u. 1)	
11	DOLLA RETEN SALIDA CAMBIO ME25636046 (u. 1)	OBSOLETO
	DOLLA RETEN SALIDA CAMBIO 0/000.260.9100 (u. 1)	

12	TORICA 25 X 2 NBR PIÑ SAL. ME25632025 (u. 1)	OBSOLETO
	TORICA 25 X 2 NBR PIÑ SAL. 0/000.490.9107 (u. 1)	
13	RETEN 30X40X7 DOBLE LABIO.PIÑ.SAL. ME25636024 (u. 1)	OBSOLETO
	RETEN 30X40X7 DOBLE LABIO.PIÑ.SAL. 0/000.890.9106 (u. 1)	
14	RODAM.CAMBIO 6305 C3 ME25636058 (u. 1)	OBSOLETO
	RODAM.CAMBIO 6305 C3 0/000.960.9113 (u. 1)	
15	EJE SECUNDARIO Z-21 MC25836075 (u. 1)	OBSOLETO
16	PIÑON II SECUNDARIO MC25836077 (u. 1)	OBSOLETO
17	ARANDELA 18X31.5X1 REG.PRIMARIO ME25636013 (u. 1)	OBSOLETO
19	PIÑON III SECUNDARIO Z-22 MC25836078 (u. 1)	OBSOLETO
20	PIÑON I SECUNDARIO Z-26 MC25836076 (u. 1)	OBSOLETO
21	COJIENTE CAMBIO 20X24X13 MC25836059 (u. 1)	OBSOLETO
22	RODAM.CAMBIO 6203C3 0/000.960.9112 (u. 1)	OBSOLETO
	RODAM.CAMBIO 6203C3 ME25636057 (u. 1)	
23	GRUPO CAMBIO CROSS 97 MC25736010 (u. 1) - MX	
24	ARANDELA 20.8X29X1 CAMBIO ME25636016 (u. 1)	
25	ARANDELA 25.2X31.5X1 CAMBIO ME25636017 (u. 1)	

Carburador



	CARBURADOR PWK 36S (10FK-A90H-0020) BE780001210 (u. 1)	
1	CARB. EC125-2003 1000-51S-A001 ME120390000 (u. 1)	OBSOLETO
	CARBURADOR KEIHIN PWK 38 WINGS ME250290000 (u. 1)	OBSOLETO
	CARB. KEIHIN PWK38 1000-50S-A001 ME300290000 (u. 1) - 300	
2	MANDO ESTARTER 1166-818-2101 ME25690011 (u. 1)	
3	BOYA FLOTADOR W1310-079-9921 ME25690012 (u. 1)	
4	CUBETA FLOTADOR ME25690013 (u. 1)	
5	JUNTA CUBETA 16163-N04-7510-M1 ME25690014 (u. 1)	OBSOLETO
6	TAP.CUBETA 1018-ND4-7511 ME25690015 (u. 1)	
7	TORICA TAP.CUBETA 16173-001-0040 ME25690016 (u. 1)	
8	AGUJA FLOTADOR 1062-814-2103 ME25690017 (u. 1)	
9	SUJ.TUBO RESPIRADERO ME25690018 (u. 1)	

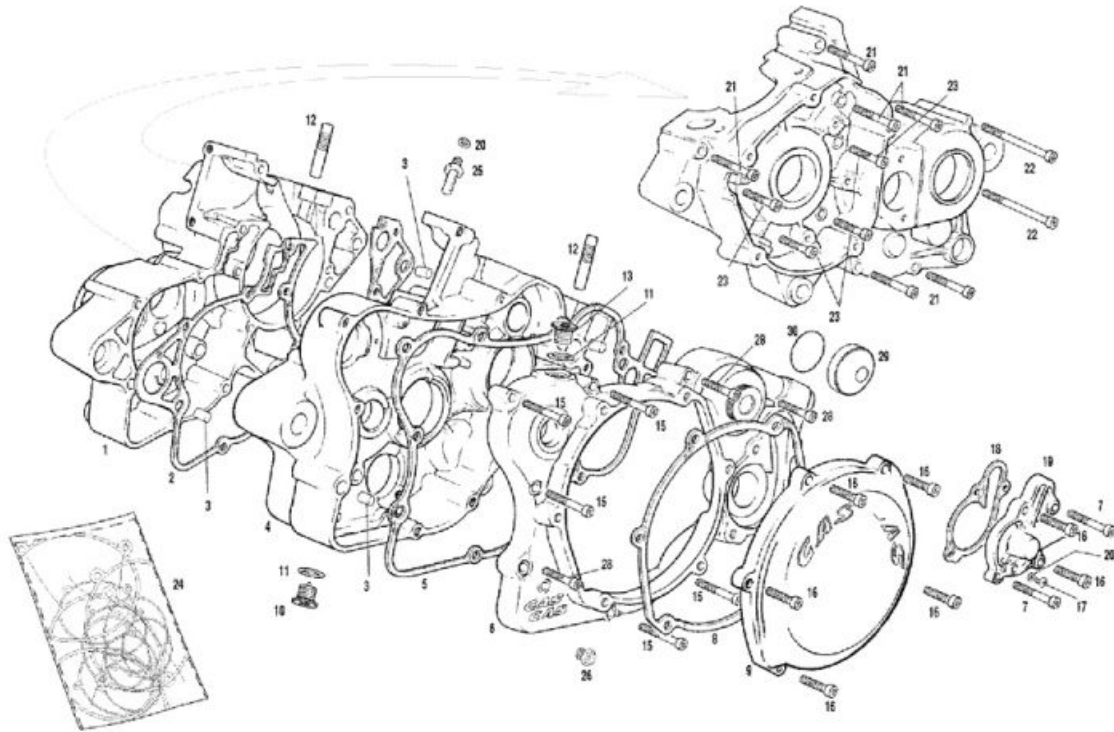
	CHICLE RALENTI 35 (N424-21035) ME25690035 (u. 1)	OBSOLETO
10	CHICLE RALENTI 38 (N424-21038) ME25690019 (u. 1) - 250	
	CHICLE RALENTI 48 N424-25048 ME120390048 (u. 1) - 125-200	
	CHICLE RALENTI 35 (N424-21035) 0/005.991.9100 (u. 1)	
	AGUJA N1ED (N427-1ED00) ME25690020 (u. 1) - 300	
11	AGUJA -N1EC ME25690427 (u. 1) - 250	
	AGUJA KEIHIN N1EE (N427-1EE00) ME250290427 (u. 1)	
	AGUJA KEIHIN N1EG (N427-1EG00) ME250290428 (u. 1)	
12	CLIP AGUJA 16115-169-0040 ME25690021 (u. 1)	
13	COMPUERTA NS7 N502-27F00 ME25690022 (u. 1)	
14	FIJADOR AGUJA-CABLE 1101-804-2001 ME25690023 (u. 1)	
15	TAP.COMPUERTA 1030-841-2101 ME25690024 (u. 1)	OBSOLETO
16	JUNTA TAP.COMP.16110-ND5-7610-M1 ME25690025 (u. 1)	
17	TORN.REGUL.AIRE W1446-231-9900 ME25690028 (u. 1)	
18	MUELLE TORN.REG.AIRE W1711-416-9900 ME25690029 (u. 1)	
19	MUELLE COMPUERTA 1290-920-2000 ME25690026 (u. 1)	
20	CLIP NIVEL FLOTADOR 0405-019-1000 ME25690027 (u. 1)	
21	TORN.CUBETA N114-04163 ME25690030 (u. 1)	
22	TUBO RESPIRADERO 95003-0704831 ME25690031 (u. 1)	
23	TUBO RESPIRADERO 95003-05033-31 ME25690032 (u. 1)	
24	EJE FLOTADOR W9525-25250 ME25690033 (u. 1)	
25	CLIP TUBO RESPIRADERO W9535-35000 ME25690034 (u. 1)	
26	CHICLE ALTA 182 ME25690182 (u. 1) - 300	
	CHICLE ALTA 185 (99101-357-1850) ME25690185 (u. 1)	OBSOLETO
27	TENSOR CABLE 1036-804-2000 ME25690036 (u. 1)	
28	TUERCA TENSOR CABLE W1793-130-9900 ME25690037 (u. 1)	OBSOLETO
29	TORN.REGUL.RALENTI 1034-853-2000 ME25690038 (u. 1)	
30	MUELLE TORN.REG.1290-963-2000 ME25690039 (u. 1)	

31

VALV.ESCAPE CENT.200-99
ME20916015 (u. 1) - 125-200

CASQ.MUELLE COMP.1118-929-7000
ME25690040 (u. 1) - 250

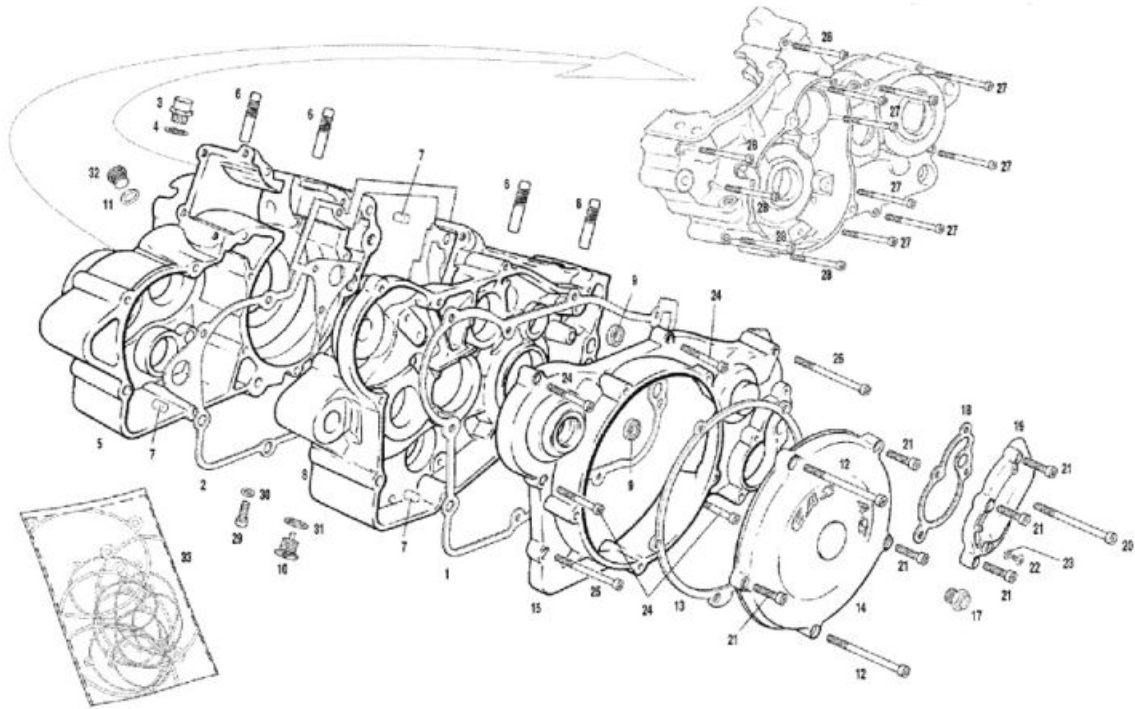
Carter de motor 125



1	CARTER IZQ.EC125-2002 ME120310001 (u. 1)	
2	JUNTA CARTER CENT.EC125-2001 ME120144001 (u. 1)	
3	CASQ.CENTRADOR CARTER 14X9X6IN =M0101700 ME25610018 (u. 1)	OBSOLETO
	CASQ.CENTRADOR CARTER 6X9X14 =ME25610018 M01017000 (u. 1)	OBSOLETO
	CASQ.CENTRADOR CARTER 6X9X14 =ME25610018 0/000.480.9119 (u. 1)	
4	CARTER DCH.EC125-2004 ME120410000 (u. 1)	
	CARTER DCH.EC125-2003 ME120310000 (u. 1)	OBSOLETO
5	JUNTA TAPA EMBR.0.5MM ME120144002 (u. 1)	
6	TAPA EMBR.EC125-2003 ME120332001 (u. 1)	
7	ALLEN 6X60 12.9 T0306060 (u. 1)	OBSOLETO
	ALLEN 6X60 DIN 912 ZINC 12.9 0/000.460.9150 (u. 1)	
8	JUNTA TAPA DISCOS 0.8 ME120144003 (u. 1)	
9	TAPA DISCOS EMBR.MAGNESIO 125 2014 ME22010GG-BZV-1 (u. 1)	
	TAPA DISCOS EMBR.MAGNESIO ME120132002 (u. 1)	OBSOLETO
10	TAPON VACIADO ACEITE+IMAN ME25610017 (u. 1)	

11	ARANDELA COBRE 12X18X1.5 ME25810030 (u. 1)	
12	ESPARRAGO CIL.EC125-2001 M8 ME120116023 (u. 1)	
13	TAP.LLENADO ACEITE =M01016002 ME25610016 (u. 1)	OBSOLETO
	TAP.LLENADO ACEITE =ME25610016 M01016002 (u. 1)	
	TAPON VACIADO ACEITE+IMAN ME25610017 (u. 1)	
15	ALLEN 6x30 12.9 T0306030 (u. 1)	
16	ALLEN 6X25 TA.EMB,CART,SUSP.12.9 T0306025 (u. 1)	
17	ULS 6X10 DIR. T0506010 (u. 1)	OBSOLETO
18	JUNTA TAPA BOMBA AGUA EC125-2001(FOAMET) ME120144008 (u. 1)	
19	TAPA BOMBA AGUA EC125-2001 ME120110008 (u. 1)	
20	ARANDELA FIBRA 6X10X1.5 T4006010 (u. 1)	OBSOLETO
	ARANDELA FIBRA 6X10X1.5 0/000.440.9123 (u. 1)	
21	ALLEN 6X50 DIN 912 12.9 COMPLETAMENTE ROSCADO GEOMET T0306050 (u. 1)	OBSOLETO
	ALLEN 6X55 12.9 T0306055 (u. 1)	OBSOLETO
22	ALLEN 6X70 12.9 T0306070 (u. 1)	
23	ALLEN 6x45 12.9 T0306045 (u. 1)	OBSOLETO
	ALLEN 6x45 DIN 912 ZINC 12.9 0/000.460.9149 (u. 1)	
24	KIT JUNTAS EC.125 2001 ME120144100 (u. 1)	
25	DESVAP.CARTER D.3=ME25610012 M01032001 (u. 1)	OBSOLETO
	DESVAP.CARTER D.3=ME25610012 0/000.630.9105 (u. 1)	
	DESVAP.CARTER D.3 =M01032001 ME25610012 (u. 1)	OBSOLETO
26	VISOR NIVEL ACEITE =M01016110 ME25610015 (u. 1)	OBSOLETO
28	ALLEN 6x40 12.9 (DIN 912) T0306040 (u. 1)	OBSOLETO
	ALLEN 6x40 DIN 912 ZINC 12.9 0/000.460.9148 (u. 1)	
29	TAP.EJE CENTRIFUGO EC125-2003 ME120332085 (u. 1)	OBSOLETO
30	TORICA TAP.EJE CENTRIFUGO 28.3x1.78 EC12 ME120332086 (u. 1)	

Carter de motor 200-250-300

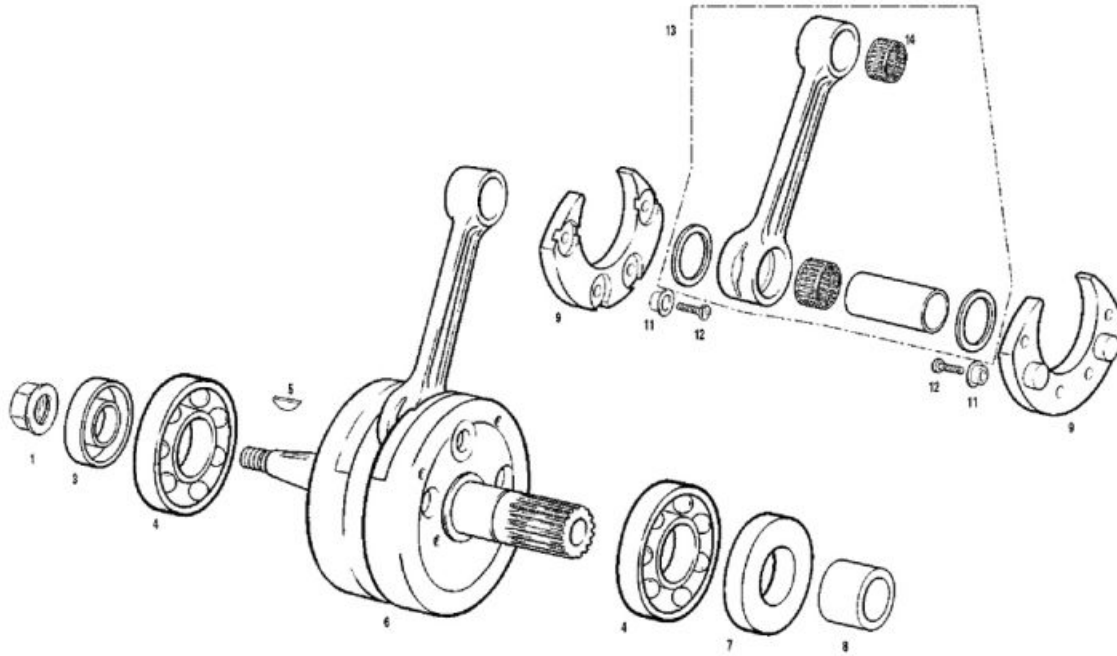


1	JUNTA TAPA EMBR.0.5mm 0/000.490.9108 (u. 1)	
	JUNTA TAPA EMBR.0.5mm ME25644002 (u. 1)	OBSOLETO
2	JUNTA CARTER CENT. ME25944001 (u. 1)	
3	RACORD ENTRADA AGUA ME25610013 (u. 1)	
4	ARAN.FIBRA 14X20X2 RACORD ENTRADA AGUA = ME25610014 (u. 1)	
5	CARTER IZQ.EC250-2003 ME250310001 (u. 1)	OBSOLETO
	CARTER IZQ.EC200-2003 ME200310001 (u. 1) - 200	
6	ESPARRAGO CIL. ME25616023 (u. 1)	OBSOLETO
	ESPARRAGO CIL. 0/000.280.9100 (u. 1)	
7	CASQ.CENTRADOR CARTER 6X9X14 =ME25610018 0/000.480.9119 (u. 1)	
	CASQ.CENTRADOR CARTER 14X9X6IN =M0101700 ME25610018 (u. 1)	OBSOLETO
	CASQ.CENTRADOR CARTER 6X9X14 =ME25610018 M01017000 (u. 1)	OBSOLETO
8	CARTER DCH.O EC250-2003 ME250310000 (u. 1)	OBSOLETO
	CARTER DCH.O.EC200-2003 ME200310000 (u. 1) - 200	

9	RODA.EJE CENTRI.Y BOMBA 608.Z.C3 ME25616032 (u. 1)	OBSOLETO
	RODA.EJE CENTRI.Y BOMBA 608.Z.C3 0/000.960.9108 (u. 1)	
10	TAPON VACIADO ACEITE+IMAN ME25610017 (u. 1)	
11	ARANDELA COBRE 12X18X1.5 ME25810030 (u. 1)	
12	ALLEN 6X75 12.9 T0306075 (u. 1)	OBSOLETO
13	JUNTA TAPA DISCOS 0.8 (MATERIAL CS5208) ME25644003 (u. 1)	
14	TAPA DISCOS EMBRAGUE GRIS 0/000.350.9105 (u. 1)	OBSOLETO
	TAPA DISCOS EMBR. ME250332002 (u. 1)	
	TAPA DISCOS EMBRAGUE GRIS ME22010GG-CLJ-1 (u. 1)	
	TAPA DISCOS EMBR.EC-2007 ME250732002 (u. 1)	
15	TAPA BOMBA AGUA EC-2010 ME570002510 (u. 1)	OBSOLETO
	TAPA EMBR.EC2001 ME250132001 (u. 1)	
17	VISOR NIVEL ACEITE =M01016110 ME25610015 (u. 1)	OBSOLETO
18	JUNTA TAPA BOMBA AGUA ME25944008 (u. 1)	
19	TAPA BOMBA AGUA TT-99 ME25910008 (u. 1)	OBSOLETO
20	ALLEN 6X80 12.9 T0306080 (u. 1)	OBSOLETO
	TORN.ESP.6X80 8.8 DRACOMET T0206080 (u. 1)	OBSOLETO
21	ALLEN 6X25 TA.EMB,CART,SUSP.12.9 T0306025 (u. 1)	
22	ULS 6X10 DIR. T0506010 (u. 1)	OBSOLETO
23	ARANDELA FIBRA 6X10X1.5 0/000.440.9123 (u. 1)	OBSOLETO
	ARANDELA FIBRA 6X10X1.5 T4006010 (u. 1)	
24	ALLEN 6x30 12.9 T0306030 (u. 1)	
25	ALLEN 6X35 12.9 T0306035 (u. 1)	
26	ALLEN 6X50 DIN 912 12.9 COMPLETAMENTE ROSCADO GEOMET T0306050 (u. 1)	OBSOLETO
	ALLEN 6X55 12.9 T0306055 (u. 1)	OBSOLETO
27	ALLEN 6X70 12.9 T0306070 (u. 1)	
28	ALLEN 6X60 12.9 T0306060 (u. 1)	OBSOLETO
	ALLEN 6X60 DIN 912 ZINC 12.9 0/000.460.9150 (u. 1)	

29	ALLEN 8X14 T0308014 (u. 1)	
30	ARANDELA COBRE 8X12X1,5 TORN.VAC.CAM.PRE T4008012 (u. 1)	OBSOLETO
	ARANDELA COBRE 8X12X1,5 DIN 125 A ISO 7089 0/000.440.9128 (u. 1)	
31	TORICA D-11x2=M01016100=ME25610026 ME250036063 (u. 1)	
	TORICA 11X2 TAP.ACEITE =M01016100 ME25610026 (u. 1)	OBSOLETO
32	TAP.LLENADO ACEITE =ME25610016 M01016002 (u. 1)	
	TAPON VACIADO ACEITE+IMAN ME25610017 (u. 1)	
	TAP.LLENADO ACEITE =M01016002 ME25610016 (u. 1)	OBSOLETO
33	KIT JUNTA ENDURO 250-300 ME25944100 (u. 1)	

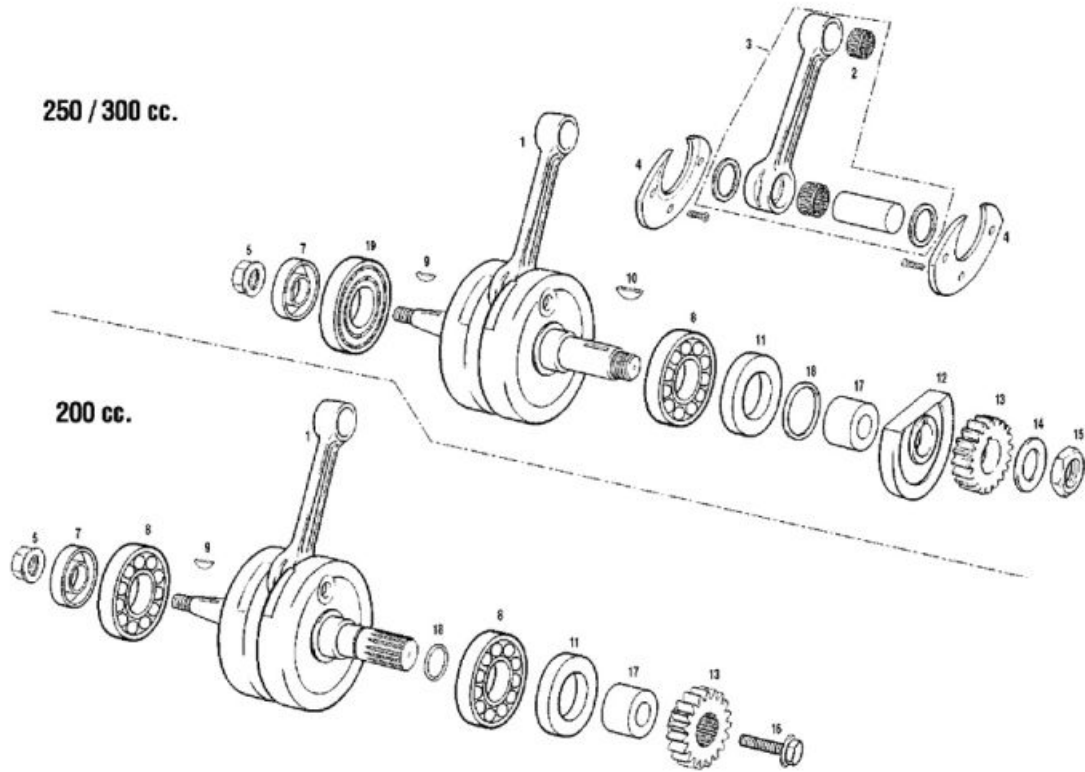
Cigüeñal 125



1	TUERCA VOLANTE M12x1,25 COD.DC12FF1 8.8 MC25934011 (u. 1)	OBSOLETO
	TUERCA VOLANTE EC400 4T M12x1.25 10.9 MFS400134011 (u. 1)	
3	RETEN LADO IZ.CIG.TCJ 20x35x6/6.5 0/000.890.9103 (u. 1)	
	RETEN LADO IZ.CIG.TCJ 20x35x6/6.5 ME250112009 (u. 1)	OBSOLETO
4	ROD.CIGUEÑAL SKF 63/22 HN3C403LVK311 ME120112006R (u. 1)	
	RODAM.CIGUEÑAL 125cc 63/22C3 ME120112006 (u. 1)	OBSOLETO
5	CHAVETA VOLANTE =M01224001 ME25634016 (u. 1)	
6	CIGUEÑAL EC125-2001 ME120112000 (u. 1)	
7	RETEN DCH.O.CIG.TB2J 32 45 6.5 ME120112008 (u. 1)	
8	CASQ.CIGUEÑAL TRANS.PRIM. ME120112014 (u. 1)	OBSOLETO
9	NYLON CONTRAPESO EC125-2001 ME120112021 (u. 1)	
11	CASQ.NYLON CONTRAPESO EC125cc ME120112011 (u. 1)	
12	ULS 6x16 ISO 7380-1 NEGRO 12.9 0/000.460.9156 (u. 1)	
	TORN.ULS 6x16 PL.PRIM,GUAR,FIL NG. T0506016N (u. 1)	OBSOLETO
13	BIELA TT125-2001 (CONROD KIT VA-6005) ME120112100 (u. 1)	

14	COJINETE 152018BL2 KOYO PIE BIELA 21.221 ME120116035 (u. 1)
-----------	--

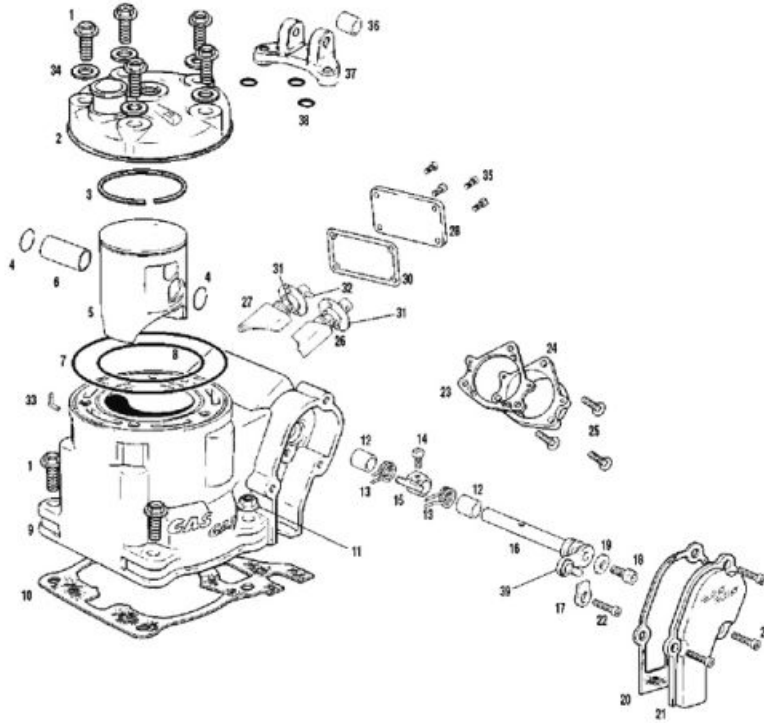
Cigüeñal 200-250-300



1	CIGUEÑAL EC200-2002 ME200212000 (u. 1)	OBSOLETO
	CTO.CIGUEÑAL EC250-2002 ME250212000 (u. 1) - 250-300	
2	ROD.RV.18X22X21,8 S PIE DE BIELA ME25616035 (u. 1)	
3	CTO.BIELA ENDURO ME25612100 (u. 1)	
4	NYLON CONTRAPESO CIGUEÑAL 250 -300 0/005.075.9101 (u. 1)	
	NYLON CONTRAPESO CIGUEÑAL 200 0/005.075.9100 (u. 1)	
	NYLON CONTRAPESO CIGUEÑAL EC250-2002 ME250212021 (u. 1)	OBSOLETO
	NYLON CONTRAPESO ME20812021 (u. 1)	OBSOLETO
5	TUERCA VOLANTE EC400 4T M12x1.25 10.9 MFS400134011 (u. 1)	
	TUERCA VOLANTE M12x1,25 COD.DC12FF1 8.8 MC25934011 (u. 1)	OBSOLETO
7	RETEN LADO IZ.CIG.TCJ 20x35x6/6.5 ME250112009 (u. 1)	OBSOLETO
	RETEN LADO IZ.CIG.TCJ 20x35x6/6.5 0/000.890.9103 (u. 1)	
8	RODAM.CIGUEÑAL 200 cc.63/28 C3 ME20912006 (u. 1) - 200-250-300	
9	CHAVETA VOLANTE =M01224001 ME25634016 (u. 1)	
10	CHAVETA CIGUEÑAL =M01223000 ME25612010 (u. 1)	

	RETEN DCH.O.CIGUEÑAL TB2J 38-52 7 0/000.890.9102 (u. 1)	
11	RETEN LADO DRC.CIG.ATSL 30-52-8 ME25612008 (u. 1) - 200	
	RETEN DCH.O.CIGUEÑAL TB2J 38-52 7 ME250112008 (u. 1)	OBSOLETO
12	INERCIA VOLANTE EC-2001 ME250112017 (u. 1)	OBSOLETO
	PIÑON CIGUEÑAL TRANS.PRIM. ME25612004 (u. 1)	OBSOLETO
13	CTO.CORONA-PIÑON EMBR.ENDURO 250-300 2014 0/005.400.9104 (u. 1)	
	PIÑON CIGUEÑAL TRANS.PRIMA.Z19 200-99 ME20912004 (u. 1) - 200	
	CTO.CORONA EMBR.ENDURO 250-300 2014 ME21000CT-CAB-1 (u. 1)	OBSOLETO
14	ARAN.BISEL.D.20 / 125-B-M 5.6 PULIDA PIÑ ME25632019 (u. 1)	OBSOLETO
	ARANDELA DIN 125 PULIDA D-20 ZINC 40-42HRC 0/000.440.9108 (u. 1)	
15	TUERCA BLOCAJE PIÑON CIGUEÑAL EC-2000 0/000.340.9106 (u. 1)	
	TUERCA BLOCAJE PIÑON CIGUEÑAL EC-2000 ME250032018 (u. 1)	OBSOLETO
16	TORN.ESP.12X25X1.25 FIL.20 12.9 GEOMET 0/000.460.9114 (u. 1)	
	TORN.ESP.12X25X1.25 FIL.20 12.9 T02012025 (u. 1)	OBSOLETO
17	CASQ.CIGUEÑAL 25x38x17 ME250112014 (u. 1)	
18	TORICA CIGUEÑAL 23x2 NBR ME250112011 (u. 1) - 250-300	
	JUNTA TORICA 20X1 ST950207 (u. 1)	OBSOLETO
19	RODAM.NJ 206 ETC3 CIGUEÑAL ME250112013 (u. 1)	

Cilindro 125

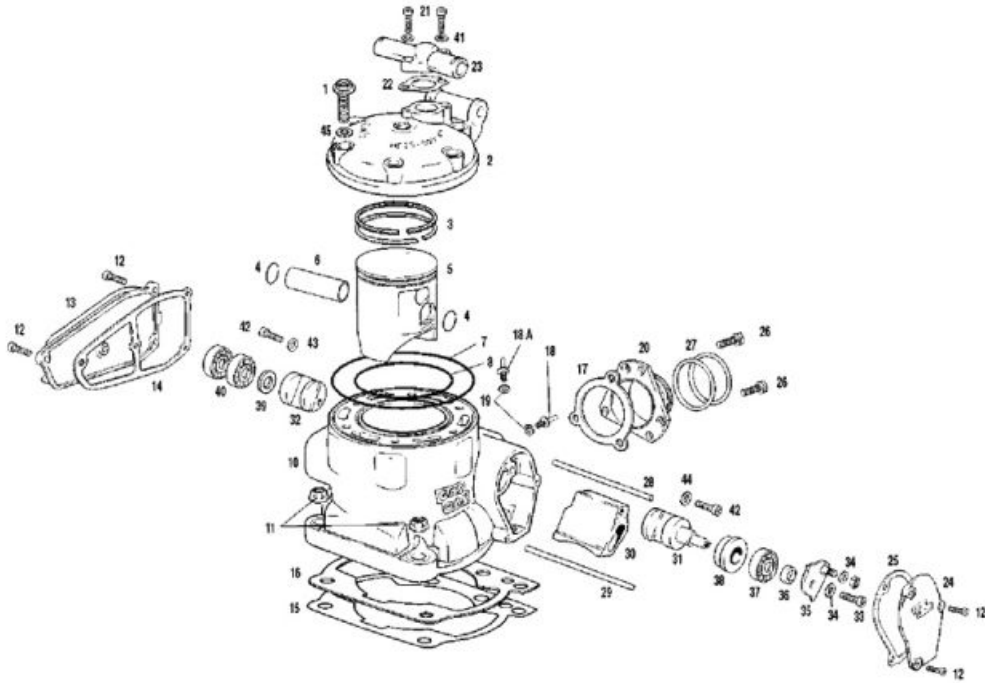


	CULATA CR125-2003 MC120316000 (u. 1)	OBSOLETO
2	CULATA TT125-2003 ME120316000 (u. 1)	OBSOLETO
	CULATA EC125-2009 ME750001209 (u. 1)	
3	ARO PISTON TT125 ME120116040 (u. 1)	OBSOLETO
	ARO DE 1mm.PISTON 2010 ME710101210 (u. 1)	
4	CLIP PISTO TT 125 ME120116126 (u. 1)	OBSOLETO
5	PISTON CR125-2002 762M05400 MC120216020 (u. 1)	OBSOLETO
6	BULON PISTON TT 125cc ME120116125 (u. 1)	
7	TOR.CUL.EXT.1.78x91.7=MO1619216 ME120116060 (u. 1)	
8	TORICA CULATA INT.VITON 1.78x63.22 ME120116065 (u. 1)	
9	CIL.TT 125cc ME120116022 (u. 1)	OBSOLETO
	CIL.ENDURO 125-2009 ME700001209 (u. 1)	
10	JUNTA CIL.EC125cc BELPA CSA 25 0.50mm ME120144000 (u. 1)	
	JUNTA CIL.0.3 ME120144009 (u. 1)	
	JUNTA CIL.TT125-2001 0.15 ME120144010 (u. 1)	

11	TUERCA CIL.M8 DC08FN1 ME120116031 (u. 1)	
12	CASQ.EJE VALV.ESCAPE EC125-2001 ME120116051 (u. 1)	
13	MUELLE EJE VALV.ESCAPE EC125-2001 ME120116052 (u. 1)	OBSOLETO
14	ALLEN 4x8 DIN 912 ZINCADO PLATA 8.8 T0304008 (u. 1)	
15	PALANCA MUELLES VALV.ESCAPE EC125-2001 ME120116053 (u. 1)	OBSOLETO
16	EJE VALV.ESCAPE CIL.EC125-2001 ME120116017 (u. 1)	OBSOLETO
17	PLANCHA FIJADOR EJE VALV.ESCAPE/CIL. ME120116114 (u. 1)	OBSOLETO
18	ALLEN 5X10 DIN 912 ZINC 12.9 0/000.460.9145 (u. 1) ALLEN 5X10 T0305010 (u. 1)	OBSOLETO
19	ARANDELA 5X12X1.5 DIN 125A ZINC 0/000.440.9121 (u. 1) ARANDELA 5X12X1.5 T4005012 (u. 1)	OBSOLETO
20	JUNTA TAPA VALV.DCH.O.1mm ME120144007 (u. 1)	
21	TAPA VALV.DCH.A.EC125-2001 ME120110002 (u. 1)	
22	ALLEN 5X10 T0305010 (u. 1) ALLEN 5X10 DIN 912 ZINC 12.9 0/000.460.9145 (u. 1)	OBSOLETO
23	JUNTA ESCAPE EC125-2001 ME120144012 (u. 1)	
24	TUBERA ESCAPE INOX.EC125-2003 ME120316019 (u. 1)	
25	EXAG+ARANDELA 6x14 DIN 6921 0/000.460.9118 (u. 1) EXAG.6x14+ARANDELA INCORP. T0206014 (u. 1)	OBSOLETO
26	VALV.ESCAPE DCH.A.EC125-2004 ME120416016 (u. 1) VALV.ESCAPE DCH.A EC125-2002 ME120216016 (u. 1)	OBSOLETO OBSOLETO
27	VALV.ESCAPE IZDA.EC125-2004 ME120416014 (u. 1) VALV.ESCAPE IZDA.EC125-2002 ME120216014 (u. 1)	OBSOLETO OBSOLETO
28	TAPA VALV.CENT.EC125cc ME120110003 (u. 1)	OBSOLETO
30	JUNTA TAPA VALV.CENT.EC125-2001 ME120144006 (u. 1)	
31	GUIA VALV.ESCAPE EC125-2002 ME120216054 (u. 1) - MX125 GUIA VALV.ESCAPE ENDURO 125-2002 SM ME120116054SM (u. 1)	OBSOLETO
32	AGUJA VALV.ESCAPE 4x19.8 ME120216055 (u. 1)	OBSOLETO

33	DESVAP.11375.00.838 MIT50010012 (u. 1)	
34	ARANDELA COBRE 8.5x16x1.5 T4008516 (u. 1)	OBSOLETO
	ARANDELA COBRE 8.5x16x1.5 DIN 125 A ISO 7090 0/000.440.9130 (u. 1)	
35	0/000.460.2000 (u. 1)	
	ULS 5X10 BN13255 10.9 LAMINAS ZIN. T0505010 (u. 1)	OBSOLETO
36	CASQ.SOP.TIRANTE CULATA CROSS BC120310149 (u. 1)	OBSOLETO
37	SOP.TIRANTES CULATA CROSS 125-2003 BC120310049 (u. 1) - <i>MX125</i>	
38	TORICA SOP.TIRANTE CULATA 12.42x1.78 CRO BC120310170 (u. 1) - <i>MX125</i>	
39	PALANCA VALV.ESCAPE EC125-2001 ME120116050 (u. 1)	OBSOLETO
	PALANCA VALV.ESCAPE CTO.EC 125 ME120116050CT (u. 1)	

Cilindro 200-250-300



CULATA EC300-2000
ME300016000 (u. 1) - 300

CULATA CR250-2001
MC250116000 (u. 1)

2

OBSOLETO

CULATA EC200-2002
ME200216000 (u. 1)

OBSOLETO

CULATA EC250- 2000
ME250016000 (u. 1) - 250

JUEGO AROS PISTON TT-200
ME20916040 (u. 1) - 200

JUEGO AROS PISTON TT 250
ME25616040 (u. 1) - 250

3

JUEGO AROS PISTON TT-300 2835CD
ME30916040 (u. 1) - 300

JUEGO CLIP BULON TT 250
ME25616126 (u. 1)

4

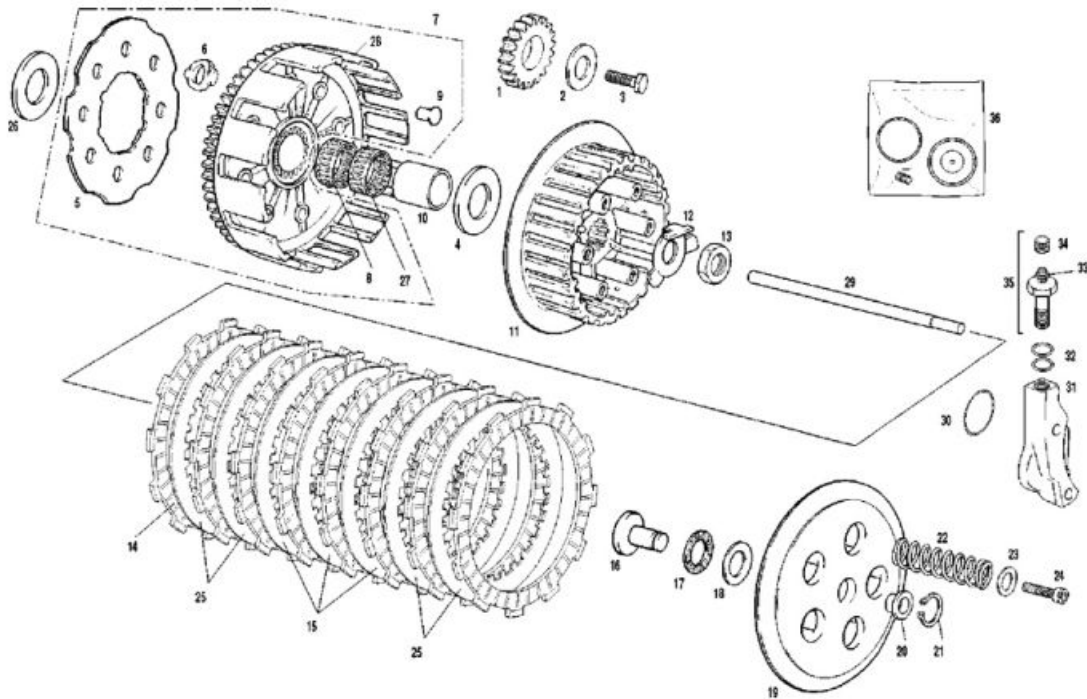
	PISTON TT 300 71.96 C ME30916122 (u. 1)	OBSOLETO
	PISTON TT 200 62.50 F ME20816125 (u. 1) - 200 62.50 F	
	PISTON TT 250 66.35 C ME25616122 (u. 1)	OBSOLETO
	PISTON 66.35 250 ENDURO C ME25616122R (u. 1)	
	PISTON TT 300 71.97 D ME30916123 (u. 1)	OBSOLETO
	PISTON TT 300 71.95 B ME30916121 (u. 1)	OBSOLETO
	PISTON TT 200 62.48 D ME20816123 (u. 1)	OBSOLETO
	PISTON 250 ENDURO B ME25616121R (u. 1)	
	PISTON TT 250 66.34 B ME25616121 (u. 1)	OBSOLETO
5	PISTON TT 300 71.95 B ME300416121 (u. 1)	
	PISTON TT 200 62.46 B ME20816121 (u. 1) - 200 62.46 B	
	PISTON TT 300 71.94 ME30916020 (u. 1)	OBSOLETO
	PISTON 300CC C ME30916122R (u. 1)	
	PISTON TT 300 EC-2004 ME300416020 (u. 1)	
	PISTON TT 250 66.33 NOIR ME25616020R (u. 1)	
	PISTON TT 250 66.36 D ME25616123 (u. 1)	OBSOLETO
	PISTON TT 200 62.45 A ME20816020 (u. 1) - 200 62.45 A	
	PISTON TT 200 62.47 C ME20816122 (u. 1)	OBSOLETO
	PISTON TT 250 66.33 ME25616020 (u. 1)	OBSOLETO
6	BULON PISTON TT 250 ME25616125 (u. 1)	
	TORICA CULATA EXT.101.32X1.78 ME25616060 (u. 1)	OBSOLETO
7	TORICA CULATA EXT.107.67x1.78 0/000.490.9109 (u. 1)	
	TORICA CULATA EXT.107.67x1.78 ME25916060 (u. 1)	OBSOLETO
	TORICA EXT=ME25616060 c.c.101.32X1.78 M01619135 (u. 1)	
	TORICA CULATA INT.VITON 72.7x1.78 ME25916065 (u. 1)	OBSOLETO
8	TORICA CULATA INTER.75.92X1.78 VITON 0/000.490.9111 (u. 1)	
	TORICA CULATA INTER.75.92X1.78 VITON ME30916065 (u. 1)	OBSOLETO
	TORICA CULATA INT.VITON 72.7x1.78 0/000.490.9110 (u. 1)	

	CILINDRO ENDURO 300 2018 ME70000GG-CLJ-1 (u. 1)	
	CIL.EC 300C.C.2013 ME700003013 (u. 1)	OBSOLETO
	CIL.EC300-2002 ME300216022 (u. 1)	OBSOLETO
10	CIL.TT 99 ME25916022 (u. 1)	OBSOLETO
	CIL.200-99 ME20916022 (u. 1)	OBSOLETO
	CIL.EC 250 C.C.2013 ME700002513 (u. 1)	
	TUERCA CIL.ESP.10/150 C13 = M01613001 ME25616031 (u. 1)	OBSOLETO
11	TUERCA DIN 6923 ZINC 8.8 ESP.10/150 C13 0/000.340.9105 (u. 1)	
	TUERCA CIL.8.8 ESP.10/150 C13 =ME2561603 M01613001 (u. 1)	OBSOLETO
	ALLEN 5x15 DRACOMET T0305015 (u. 1)	OBSOLETO
12	ALLEN 5x16 DRACOMET T0305016 (u. 1)	
13	TAPA VALV.IZQ.TT 250 CAQUI ME25610003 (u. 1)	
14	JUNTA TAPA VAL.IZDA. ME25644006 (u. 1)	
15	JUNTA CIL.0.15 ME25644010 (u. 1)	
	JUNTA CIL.0.3 ME25644009 (u. 1)	
16	JUNTA CIL.BELPA CSA 25 0.50mm ME25644000 (u. 1)	
17	JUNTA ESCAPE ME25644012 (u. 1)	
18	DESVP.CARTER D.0.50 97 ME25710012 (u. 1)	
	DESVP.CARTER D.3=ME25610012 M01032001 (u. 1)	OBSOLETO
18	DESVP.CARTER D.3 =M01032001 ME25610012 (u. 1)	OBSOLETO
	DESVP.CARTER D.3=ME25610012 0/000.630.9105 (u. 1)	
	DESVP.CARTER D.0.50 97 ME25710012 (u. 1)	
	ARANDELA FIBRA 6X10X1.5 0/000.440.9123 (u. 1)	
19	ARANDELA FIBRA 6X10X1.5 T4006010 (u. 1)	OBSOLETO
	TUBERA ESCAPE 2005 ME250516019 (u. 1)	
20	TUBERA ESCAPE AL. ME25916019 (u. 1)	OBSOLETO

	ALLEN 6X20 12.9 T0306020 (u. 1)	
21	TORN.ESP.6x20 DIN 6921 GEOMET 10.9 0/000.460.9120 (u. 1)	
	TORN.ESP.6x20 10.9 ZINC.(CEX) T0206020 (u. 1)	OBSOLETO
22	JUNTA TAPA TERMOSTATO ME25944011 (u. 1)	
23	TAPA TERMOSTATO ENDUCROSS 2003 ME250316001 (u. 1)	
24	TAPA VALV.IZQ.EC 2013 ME100033013 (u. 1)	OBSOLETO
	TAPA VALV.DCH.TT 250 ME25610002 (u. 1)	OBSOLETO
	TAPA VALV.IZQ.EC 2013 0/000.350.9104 (u. 1)	
25	JUNTA TAPA VAL.DCH.1mm ME25644007 (u. 1)	
26	EXAG.6x14+ARANDELA INCORP. T0206014 (u. 1)	OBSOLETO
	EXAG+ARANDELA 6x14 DIN 6921 0/000.460.9118 (u. 1)	
27	TORICA TUBERA ESCAPE 44.2X3 SIL. BE25626006 (u. 1)	OBSOLETO
	TORICA TUBERA ESCAPE 44X3 FP (viton) BE250526006 (u. 1)	
28	EJE VALV.ESCAP LARGO 93mm. ME25616027 (u. 1)	
29	VALV.ESCAPE CENT.200-99 ME20916015 (u. 1) - 200	
	EJE VALV.ESCAPE CORTO 83mm. ME25616017 (u. 1) - 250	
30	VALV.ESCAPE CENT. ME25616015 (u. 1)	
31	VALV.ESCAPE DCH.A.(LARGA) ME25616016 (u. 1)	
32	VALV.ESCAPE IZDA.(CORTA) ME25616014 (u. 1)	
33	ALLEN 5x12 T0305012 (u. 1)	
34	ARANDELA 5X12X1.5 DIN 125A ZINC 0/000.440.9121 (u. 1)	
	ARANDELA 5X12X1.5 T4005012 (u. 1)	OBSOLETO
35	CTO.PALANCA VALV.ESCAPE ME25616050 (u. 1)	
36	SEP.COJINETE VAL.ESCAPE ME25916048 (u. 1)	OBSOLETO
37	RODAM.BOMBA AGUA 6000C3Z =M03313001 0/000.960.9107 (u. 1)	
	RODAM.BOMBA AGUA 6000C3Z =M03313001 ME25610010 (u. 1)	OBSOLETO
38	DIST.COJINETE VALV.ESCAPE ME25616036 (u. 1)	

39	GUARNIZ. FISSAGGIO TELAIO PARTE POST. 0/000.440.0160 (u. 1)	
	ARANDELA DE 8X16X1,5 T4008016 (u. 1)	OBSOLETO
40	RODA.EJE CENTRI.Y BOMBA 608.Z.C3 ME25616032 (u. 1)	OBSOLETO
	RODA.EJE CENTRI.Y BOMBA 608.Z.C3 0/000.960.9108 (u. 1)	
41	ARANDELA COBRE 6x10x1.5 TAPA TERMOSTATO ME25916002 (u. 1)	OBSOLETO
	ARANDELA COBRE 6X10X1.5 TORN.VAC.AGUA CI T4006008 (u. 1)	OBSOLETO
	ARANDELA COBRE 6X10X1.5 TORN.VAC.AGUA CI 0/000.440.9122 (u. 1)	
42	ALLEN 6X10 8.8 BOB. T0306010 (u. 1)	
43	ARANDELA 6X18X1.5 (DIN 9021) T4006018 (u. 1)	OBSOLETO
	ARANDELA 6X18X1.5 DIN 9021 ZINC 0/000.440.9126 (u. 1)	
44	ARANDELA PLANA 6X12X1.5 DIN 125 ZINC 0/000.440.9124 (u. 1)	
	ARANDELA PLANA 6X12X1.5 (DIN 125) T4006012 (u. 1)	OBSOLETO
45	ARANDELA COBRE 8.5x16x1.5 T4008516 (u. 1)	OBSOLETO
	ARANDELA COBRE 8.5x16x1.5 DIN 125 A ISO 7090 0/000.440.9130 (u. 1)	

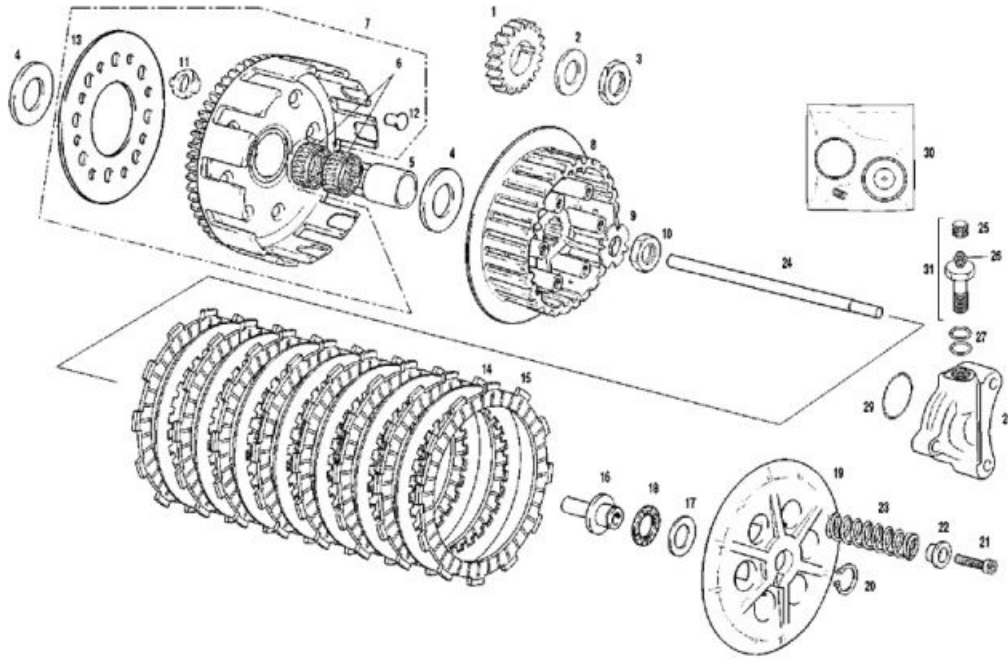
Embrague 125



1	PIÑON CIGUEÑAL TRANS.PRIM. ME120112004 (u. 1)	OBSOLETO
2	ARANDELA GRUESO 10x28x4 NG.TORN.PIÑON PR T4001028 (u. 1)	OBSOLETO
4	ARANDELA CAMBIO 20x34x2 ME120136101 (u. 1)	OBSOLETO
5	ARANDELA SUJ.22104-KS6-700 ME120132009 (u. 1)	OBSOLETO
6	SILENBLOCK CORONA 22109-KA3-710 ME120132008 (u. 1)	
7	CTO.EMBR.TT125 COMP. ME120132000 (u. 1)	OBSOLETO
8	COJINETE AGUJAS K25-29-13 EMBR. ME120132031 (u. 1)	
9	REMACHE CAMPANA 22103-KS6-300 ME120132010 (u. 1)	
10	CASQ.CAMPANA EMBR.EC125-2001 ME120132012 (u. 1)	
11	CUBO EMBR.22120-KZ4-A90 EC125-2001 ME120132005 (u. 1)	
12	PRECINTO EMBR.EC125-2001 ME120132022 (u. 1)	
13	TUERCA EMBR.EC125-2001 ME120132028 (u. 1)	
14	DISCO EMBR.FORRADO 22201-KS6-700(16.1205 ME120132007 (u. 1)	
15	DISCO EMBR.HIERRO 272M9 (16.1253) ME120132037 (u. 1) - ACERO	
16	EMPUJADOR EMBR.EC125-2001 ME120132014 (u. 1)	OBSOLETO

17	RODAM.AXIAL BOLET EMBR.AXK1024 ME120132042 (u. 1)	
18	ARANDELA BOLET EMBR.AS1024 ME120132041 (u. 1)	
19	PLATO EMBR.22351-KZ4-A90 ME120132006 (u. 1)	
20	CASQ.APRETADOR EMBR.EC125-2001 ME120132044 (u. 1)	OBSOLETO
21	SEEGER EJE 15 EMBR. ME25632017 (u. 1)	
22	MUELLE EMBR.39.5x18x2.3x5 pas EC125-2001 ME120132015 (u. 1)	OBSOLETO
23	ARANDELA 6X18X1.5 (DIN 9021) T4006018 (u. 1)	OBSOLETO
	ARANDELA 6X18X1.5 DIN 9021 ZINC 0/000.440.9126 (u. 1)	
24	ALLEN 6X25 TA.EMB,CART,SUSP.12.9 T0306025 (u. 1)	
25	DISCO EMBR.ALUMINIO 22321-KA3-710(16.125) ME120132038 (u. 1) - ALUMINIO	
26	ARAND.EMB.TOPE 20.15X38X3.25 M03226000 (u. 1)	OBSOLETO
27	COJINETE AGUJAS K25-29-10 0/000.960.9104 (u. 1)	
	COJINETE AGUJAS K25-29-10 M02616000 (u. 1)	OBSOLETO
28	CTO.EMBR.TT125 COMP. ME120132000 (u. 1)	OBSOLETO
	CAMPANA EMBR.22101-KZ4-A900 ME120132004 (u. 1)	OBSOLETO
29	VARILLA EMBR.EC125-2001 ME120132040 (u. 1)	
31	BOMBIN EMBR.HIDRAULICO EC125-2001 ME120132026 (u. 1)	OBSOLETO
	CTO.BOMBIN EMBR.ENDURO 2013 (405.00.006C) BE481001213CT (u. 1)	
32	ARANDELA LATIGUILLO 10X14X1 BE25622007 (u. 1)	
33	SANGRADOR PINZA EMBR.TT BE25622060 (u. 1)	
34	TAP.SANGRADOR FD-G006-00 BT27922055 (u. 1)	
	TAP.SANGRADOR TT BE25622055 (u. 1)	OBSOLETO
35	RACORD PINZA EMBR.HIDRAU M01060000 (u. 1)	OBSOLETO
	RACOR LATIG.EMBR.(B19007AL/NY) M10X1+SAN BT280522106 (u. 1)	
36	KIT REP.BOMBIN EMBR. 160.00.030C BE120122050 (u. 1)	

Embrague 200-250-300



CTO.CORONA EMBR.ENDURO 250-300 2014
ME21000CT-CAB-1 (u. 1)

OBSOLETO

CTO.CORONA-PIÑON EMBR.ENDURO 250-300 2014
0/005.400.9104 (u. 1)

1

PIÑON CIGUEÑAL TRANS.PRIM.
ME25612004 (u. 1)

OBSOLETO

PIÑON CIGUEÑAL TRANS.PRIMA.Z19 200-99
ME20912004 (u. 1) - 200

ARAN.BISEL.D.20 / 125-B-M 5.6 PULIDA PIÑ
ME25632019 (u. 1)

2

ARANDELA DIN 125 PULIDA D-20 ZINC 40-42HRC
0/000.440.9108 (u. 1)

OBSOLETO

ARAN.CAMPANA EMBRAG.22.1X42X2.8
0/000.440.9106 (u. 1)

4

ARAN.CAMPANA EMBRAG.22.1X42X2.8
ME25632011 (u. 1)

OBSOLETO

CASQ.CAMPANA EMBR.
ME25632012 (u. 1)

5

CASQ.CAMPANA EMBR.
0/000.480.9121 (u. 1)

OBSOLETO

COJI.CAMP.EMB.K28X33X13FV-M1 M3
ME25632029 (u. 1)

6

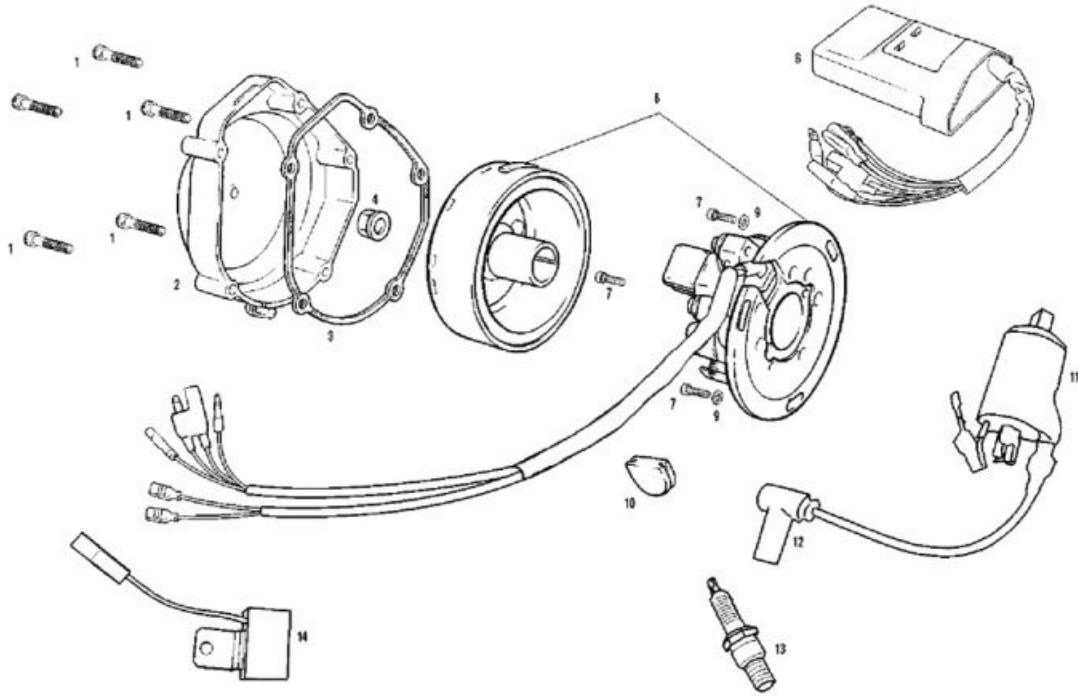
COJI.CAMP.EMB.K28X33X13FV-M1 M3
0/000.980.9113 (u. 1)

OBSOLETO

	CTO.CORONA-PIÑON EMBR.ENDURO 250-300 2014 0/005.400.9104 (u. 1)	
	CTO.CORONA EMBR.ENDURO 250-300 2014 ME21000CT-CAB-1 (u. 1)	OBSOLETO
7	CTO.CORONA EMBR.ENDURO 200 ME20932003CT (u. 1)	OBSOLETO
	CTO.CORONA EMBR.TT 200-99 ME20932003 (u. 1)	OBSOLETO
	CTO.COR.CAMP.EMBR.EC250-2000 ME250032003 (u. 1)	OBSOLETO
	CTO.CORONA EMBR.ENDURO 200 0/005.400.9103 (u. 1)	
8	CTO.CUBO EMBR.ENDURO 2018 0/005.350.9100 (u. 1)	
	CTO.CUBO EMBR.ENDURO 2018 ME22005CT-CLJ-1 (u. 1)	OBSOLETO
	CUBO EMBR.4541A ME25632005 (u. 1)	OBSOLETO
9	ARANDELA PRECINTO EMBR. ME25632022 (u. 1)	
10	TUERCA FIJ.CUBO EMB. ME25632028 (u. 1)	OBSOLETO
	TUERCA FIJ.CUBO EMB. 0/000.340.9107 (u. 1)	
11	GOMA SILENBLOC C4015/115 EMBR.3376 ME20932008 (u. 1)	
12	REMACHE CAMPANA EMBR. ME250132010 (u. 1)	
13	ARANDELA CORONA EMBR. ME20932009 (u. 1)	
14	DISCO EMB.HIERRO 272M44 ME25632037 (u. 1) - ACERO	
15	DISCOS EMB.FORRADO 7138 ME25632007 (u. 1)	
16	BOLET EMBR.EC 2012 ME20000013011 (u. 1)	
	BOLET EMBR. ME25632014 (u. 1)	OBSOLETO
17	PLACA AGUJA ROD.BOLET Y VAL.ESCAPE AS 15 0/000.440.9107 (u. 1)	
	PLACA AGUJA ROD.BOLET Y VAL.ESCAPE AS 15 ME25632016 (u. 1)	OBSOLETO
18	JAULA AGUJA VALV.ESCAPE AXK 1528 ME25632046 (u. 1)	OBSOLETO
	JAULA AGUJA VALV.ESCAPE AXK 1528 0/000.960.9109 (u. 1)	
19	PRENSA EMBR.4898A ME25632006 (u. 1)	
	PREMSA EMBR.EC 2012 ME20000003011 (u. 1)	
20	SEEGER EJE 15 EMBR. ME25632017 (u. 1)	

	ALLEN 6X20 12.9 T0306020 (u. 1)	
21	TORN.ESP.6x20 DIN 6921 GEOMET 10.9 0/000.460.9120 (u. 1)	
	TORN.ESP.6x20 10.9 ZINC.(CEX) T0206020 (u. 1)	OBSOLETO
22	CASQ.MUELLE EMBR.ALUMINIO ME250032020 (u. 1)	
23	MUELLE EMBR.TT ME25632015 (u. 1)	
24	VARILLA EMBR. 0/000.190.9105 (u. 1)	
	VARILLA EMBR. ME25632040 (u. 1)	OBSOLETO
25	TAP.SANGRADOR FD-G006-00 BT27922055 (u. 1)	
	TAP.SANGRADOR TT BE25622055 (u. 1)	OBSOLETO
26	SANGRADOR PINZA EMBR.TT BE25622060 (u. 1)	
27	ARANDELA LATIGUILLO 10X14X1 BE25622007 (u. 1)	
28	CTO.BOMBIN EMBR.HIDR.550.00.004-C ME25632026 (u. 1)	
29	TORICA BOMB.EMB.LIQ.32X2 EPDM ME25632024 (u. 1)	
30	KIT PINZA EMBR.160.00.128 BE25622050 (u. 1)	
31	RACORD PINZA EMBR.HIDRAU M01060000 (u. 1)	OBSOLETO
	RACOR LATIG.EMBR.(B19007AL/NY) M10X1+SAN BT280522106 (u. 1)	

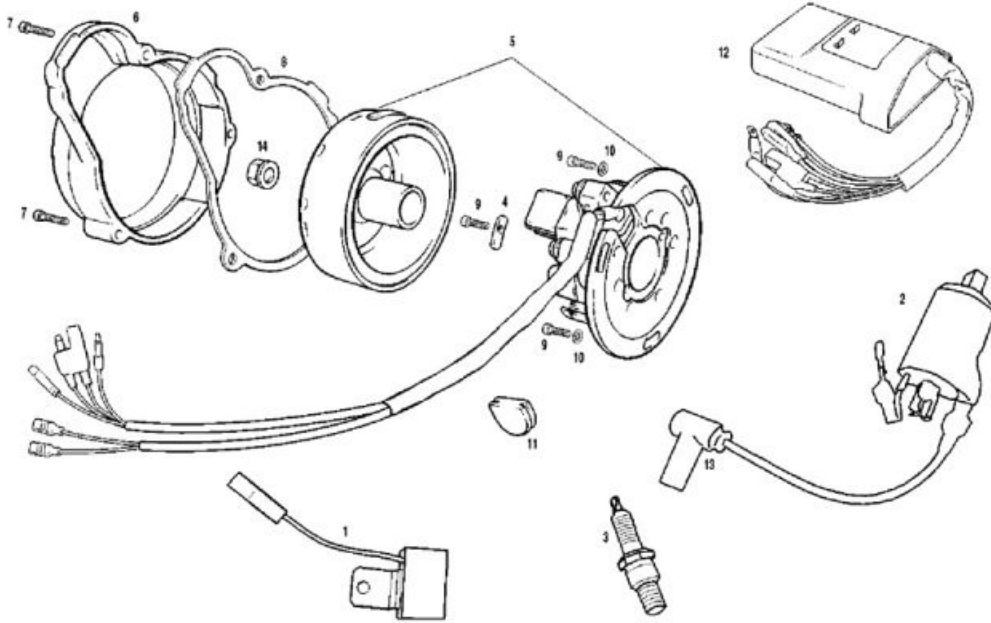
Generador 125



1	ALLEN 6X35 12.9 T0306035 (u. 1)	
2	TAPA ENCENDIDO PLASTICO EC125-2001 ME120110004 (u. 1)	
3	JUNTA TAPA VOLANTE EC125-2001 ME120144004 (u. 1)	
4	TUERCA VOLANTE EC400 4T M12x1.25 10.9 MFS400134011 (u. 1)	
	TUERCA VOLANTE M12x1,25 COD.DC12FF1 8.8 MC25934011 (u. 1)	OBSOLETO
6	CTO. VOL.MAG.KOKUSAN FP-8009 MULTISPARK ME250034005 (u. 1)	OBSOLETO
	VOL.MAG.N.FP8188 2G3 MULTISPARK MC250034005 (u. 1) - MX125	
7	ALLEN 5X20 DRACOMET CEX 12.9 T0305020 (u. 1)	
8	CDI KOKUSAN CU7460 EC125-2001 AMARILLO ME120134007 (u. 1)	OBSOLETO
	CDI KOKUSAN UNIT CU 7476 GRIS MC120234007 (u. 1)	OBSOLETO
9	ARANDELA 5X12X1.5 T4005012 (u. 1)	OBSOLETO
	ARANDELA 5X12X1.5 DIN 125A ZINC 0/000.440.9121 (u. 1)	
10	TAP.GOMA ENCENDIDO ME25934014 (u. 1)	
11	BOB.KOKUSAN IG512L ME250434006 (u. 1)	

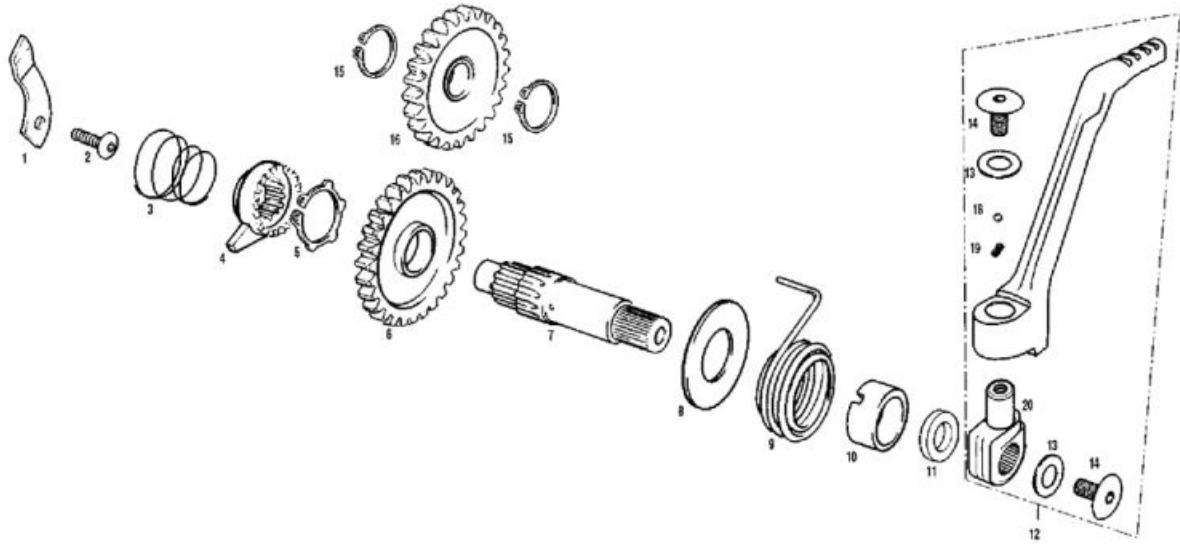
12	BUJIA W24ESRU 0/005.110.9101 (u. 1)	
	BUJIA W24ESRU ME25934000 (u. 1)	OBSOLETO
13	BUJIA W27ESRU ME120134000 (u. 1)	
14	REGUL.ALTERNADOR 415 C = ME25634009 L300031 (u. 1)	

Generador 200-250-300



1	REGUL.ALTERNADOR 415 C = ME25634009 L300031 (u. 1)	
2	BOB.KOKUSAN IG512L ME250434006 (u. 1)	
3	BUJIA W24ESRU 0/005.110.9101 (u. 1)	
3	BUJIA W24ESRU ME25934000 (u. 1)	OBSOLETO
4	CENTRAJE ENCENDIDO ME25934025 (u. 1)	OBSOLETO
5	VOL.MAG.N.FP8188 2G3 MULTISPARK MC250034005 (u. 1) - MX250	
5	CTO. VOL.MAG.KOKUSAN FP-8009 MULTISPARK ME250034005 (u. 1)	OBSOLETO
6	TAPA ENCENDIDO PLASTICO ME250010004 (u. 1)	
7	ALLEN 6X35 12.9 T0306035 (u. 1)	
8	JUNTA TAPA VOLANTE (SILIC.) ME250244004 (u. 1)	
9	ALLEN 6X16 BOMBA EMB.12.9 T0306016 (u. 1)	OBSOLETO
9	ALLEN 5X20 DRACOMET CEX 12.9 T0305020 (u. 1)	
9	ALLEN 6X16 BOMBA EMB. DIN 912 ZINC 12.9 0/000.460.9147 (u. 1)	

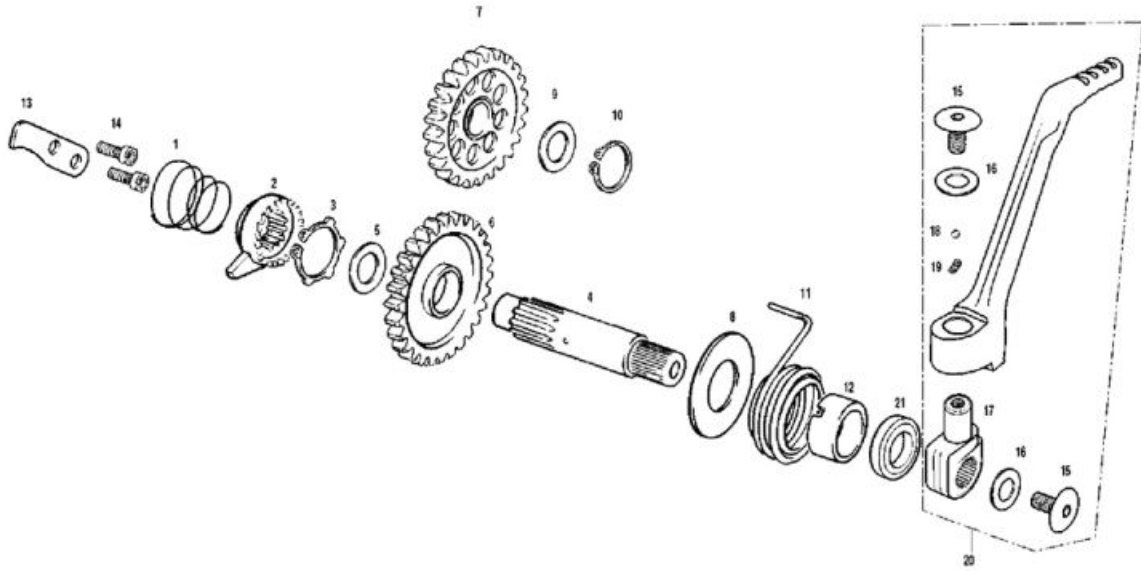
	ARANDELA 5X12X1.5 DIN 125A ZINC 0/000.440.9121 (u. 1)	
10	ARANDELA PLANA 6X12X1.5 DIN 125 ZINC 0/000.440.9124 (u. 1)	
	ARANDELA PLANA 6X12X1.5 (DIN 125) T4006012 (u. 1)	OBSOLETO
	ARANDELA 5X12X1.5 T4005012 (u. 1)	OBSOLETO
11	TAP.GOMA ENCENDIDO ME25934014 (u. 1)	
12	CDI KOKUSAN 2001 CU7457 MULTISPARK ROJO ME250134007 (u. 1)	OBSOLETO
	CDI KOKUSAN EC-2000 CU-7448 MULTISPARK N ME250034007 (u. 1)	OBSOLETO
	KIT ADAPTACION CDI 2005 (2000-2004. ME200334007 (u. 1)	OBSOLETO
13	PIPA BUJIA BE25934000 (u. 1)	OBSOLETO
	PIPA BUJIA LB05EMH=BT27934000 0/005.110.9100 (u. 1)	
14	TUERCA VOLANTE EC400 4T M12x1.25 10.9 MFS400134011 (u. 1)	
	TUERCA VOLANTE M12x1,25 COD.DC12FF1 8.8 MC25934011 (u. 1)	OBSOLETO

Palanca de arranque 125


1	PLATINA TRINQUETE ARRANQUE EC125-2001 ME120136005 (u. 1)	
	0/000.460.2000 (u. 1)	
2	ULS 5X10 BN13255 10.9 LAMINAS ZIN. T0505010 (u. 1)	OBSOLETO
3	MUELLE TRINQUETE ARRANQUE ME25636006 (u. 1)	OBSOLETO
	MUELLE TRINQUETE ARRANQUE 0/000.470.9109 (u. 1)	
4	TRINQUETE ARRANQUE EC125cc ME120126004 (u. 1)	OBSOLETO
	TRINQUETE ARRANQUE EC125cc 0/005.400.9110 (u. 1)	
5	SEEGER AK-20 PARA EJE DIN 983 MT27836052 (u. 1)	OBSOLETO
6	PIÑON ARRANQUE MT27836002 (u. 1)	OBSOLETO
7	EJE ARRANQUE+AGUJERO EC125-2001 ME120136003 (u. 1)	
8	ARANDELA ARRANQUE 46X18.6X1 M02614002 (u. 1)	
9	MUELLE RETORNO PEDAL.18. M02613001 (u. 1)	
10	CASQ.CENTRADOR MUELLE ARRANQUE ME250136053 (u. 1)	
11	RETEN PEDAL ARRANQUE 18x28x7 ME120132021 (u. 1)	

	CTO.PEDAL ARRANQUE 0/005.430.9101 (u. 1)	
	PEDAL ARRANQUE Y MUÑ.EC125-2001 ME120136060 (u. 1)	OBSOLETO
12	CTO.PEDAL ARRANQUE ME89000CT2511 (u. 1)	OBSOLETO
	PEDAL ARRANQUE Y MUÑEQUILLA EC 250 4T 20 MFS890002510 (u. 1)	OBSOLETO
	PEDAL ARRANQUE EC 125 2014 ME89000CT-BZV-1 (u. 1)	OBSOLETO
13	ARANDELA 6,5X20X1.5 T4006020 (u. 1)	
	TORN.6X12 HUELLA TORX ESP.ZI T0316012 (u. 1)	OBSOLETO
14	TORN.ESP.+ARAND.5x15 DIN 6921 GEOMET 10.9 0/000.460.9115 (u. 1)	
	ALLEN 6X12 T0306012 (u. 1)	OBSOLETO
15	SEEGER EJE 15 EMBR. ME25632017 (u. 1)	
16	PIÑON INT.ARRANQUE EC125-2001 ME120126001 (u. 1)	
18	BOLA MUÑEQUILLA PEDAL ARRANQUE ME250036062 (u. 1)	
19	MUELLE MUÑEQUILLA PEDAL ARRANQUE ME250036066 (u. 1)	

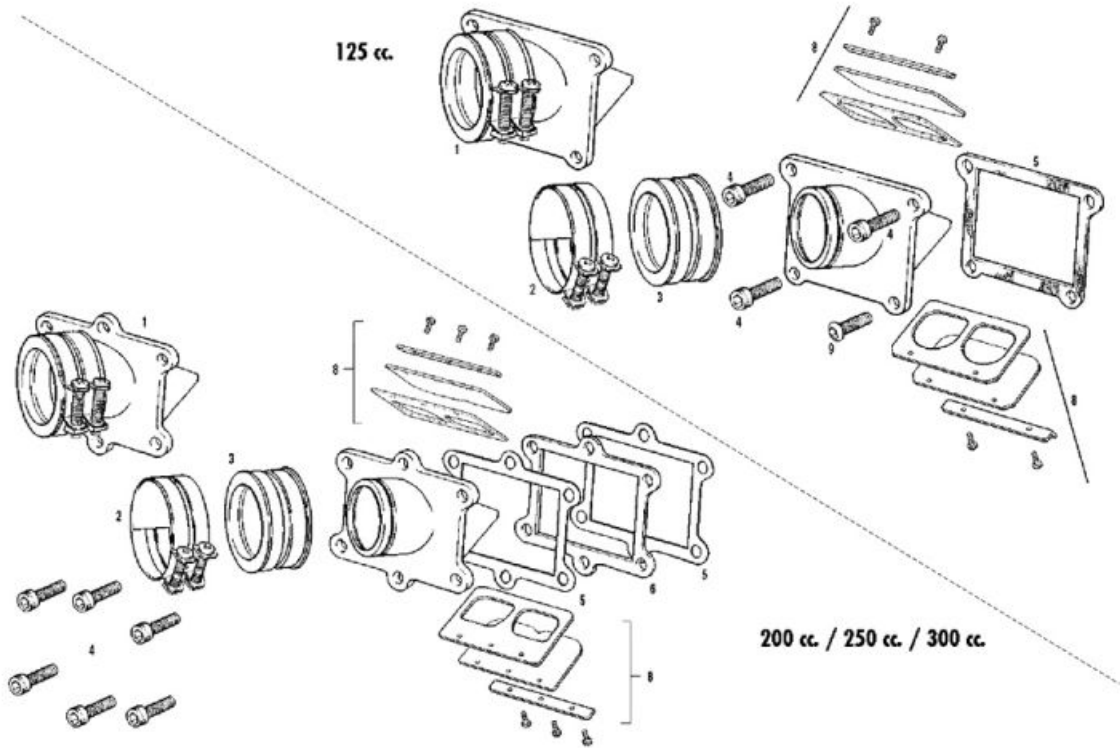
Palanca de arranque 200-250-300



1	MUELLE TRINQUETE ARRANQUE ME25636006 (u. 1)	OBSOLETO
	MUELLE TRINQUETE ARRANQUE 0/000.470.9109 (u. 1)	
2	TRINQUETE ARRANQUE EC125cc 0/005.400.9110 (u. 1)	OBSOLETO
	TRINQUETE ARRANQUE EC125cc ME120126004 (u. 1)	
3	SEEGER DE 20 ARRANQUE=M03615000 ME25636052 (u. 1)	OBSOLETO
	SEEGER D.20 DIN 471 0/000.300.9105 (u. 1)	
4	EJE ARRANQUE EC-2001 ME250126003 (u. 1)	OBSOLETO
	EJE ARRANQUE EC-2001 0/005.400.9106 (u. 1)	
5	ARAN.TOPE 27X20.2X1 DESPL ARRAN. 0/000.440.9109 (u. 1)	OBSOLETO
	ARAN.TOPE 27X20.2X1 DESPL ARRAN. ME25636000 (u. 1)	
6	PIÑÓN ARRANQUE EC-2001 ME250126002 (u. 1)	OBSOLETO
	PIÑÓN ARRANQUE EC-2001 0/005.400.9105 (u. 1)	
7	PIÑÓN INT.ARRANQUE EC-2001 ME250126001 (u. 1)	
8	ARANDELA ARRANQUE 20X40X1 ME25636051 (u. 1)	OBSOLETO
	ARANDELA ARRANQUE 20X40X1 0/000.440.9111 (u. 1)	

9	VOLANDERA PIÑON ARRAN.24X15.15X0.8 ME25636012 (u. 1)	OBSOLETO
	VOLANDERA PIÑON ARRAN.24X15.15X0.8 0/000.440.9110 (u. 1)	
10	SEEGER EJE 15 EMBR. ME25632017 (u. 1)	
11	MUELLE ARRANQUE ME25636007 (u. 1)	
12	CASQ.CENTRADOR MUELLE ARRANQUE ME250136053 (u. 1)	
13	PLATINA TRINQUETE ARRANQUE 0/000.980.9114 (u. 1)	
	PLATINA TRINQUETE ARRANQUE ME25636005 (u. 1)	OBSOLETO
14	ALLEN 5x15 DRACOMET T0305015 (u. 1)	OBSOLETO
	ALLEN 5x16 DRACOMET T0305016 (u. 1)	
15	TORN.6X12 HUELLA TORX ESP.ZI T0316012 (u. 1)	OBSOLETO
	TORN.ESP.+ARAND.5x15 DIN 6921 GEOMET 10.9 0/000.460.9115 (u. 1)	
	ALLEN 6X12 T0306012 (u. 1)	OBSOLETO
16	ARANDELA 6,5X20X1.5 T4006020 (u. 1)	
17	MUÑEQUILLA PEDAL ARRANQUE D.18 ME250036061 (u. 1)	
18	BOLA MUÑEQUILLA PEDAL ARRANQUE ME250036062 (u. 1)	
19	MUELLE MUÑEQUILLA PEDAL ARRANQUE ME250036066 (u. 1)	
20	CTO.PEDAL ARRANQUE 0/005.430.9101 (u. 1)	
	PEDAL ARRANQUE Y MUÑEQUILLA EC 250 4T 20 MFS890002510 (u. 1)	OBSOLETO
	CTO.PEDAL ARRANQUE ME89000CT2511 (u. 1)	OBSOLETO
	PEDAL ARRANQUE Y MUÑ.EC-2001 ME250136060 (u. 1)	OBSOLETO
21	RETEN PEDAL ARRAN.20X30X7 0/000.890.9105 (u. 1)	
	RETEN PEDAL ARRAN.20X30X7 ME25632021 (u. 1)	OBSOLETO

Válvula de láminas



	CTO.CAJA LAMINAS ACABADA ENDURO HOBBIE 2 ME200716021CT (u. 1)	OBSOLETO
	CAJA LAMINAS RAD 93-2 EC125-2002 ME120216021 (u. 1)	OBSOLETO
1	CTO CAJA DE LAMINAS BOYESEN RAD93-2A ME26500CT-BZV-1 (u. 1)	
	CAJA LAMINAS RAD 91 ME25616021 (u. 1)	OBSOLETO
	CAJA LAMINAS TT 200-2003 ME200316021 (u. 1)	OBSOLETO
	KIT SUBST.ME25616021 ME25616021R (u. 1)	
2	TUBERA CAJA LAMINAS ME120116131R (u. 1)	
	ABRAZ.CAJA LAMINA BOYESEN ME25616132 (u. 1) - 250	
	ABRAZ.CAJA LAMINAS BOYESEN ME120116132 (u. 1)	OBSOLETO
3	TUBERA CAJA LAMINAS ME120116131R (u. 1)	
	TUBERA CAJA DE LAMINAS ME25616131R (u. 1)	
	GOMA CAJA DE LAMINAS RB-1 ME25616131 (u. 1)	OBSOLETO
	GOMA CAJA LAMINAS BOYESEN EC125-2001 ME120116131 (u. 1)	OBSOLETO

	ALLEN 6X16 BOMBA EMB. DIN 912 ZINC 12.9 0/000.460.9147 (u. 1)	
4	ALLEN 6X25 TA.EMB,CART,SUSP.12.9 T0306025 (u. 1) - 300	
	ALLEN 6X16 BOMBA EMB.12.9 T0306016 (u. 1)	OBSOLETO
5	JUNTA CAJA LAMINAS 125 ME120144005 (u. 1) - 125	
	JUNTA CAJA LAMINAS ME25644005 (u. 1) - 200-250-(300 2PZ)	
6	PLATINA DIST.LAMINAS ME30916057 (u. 1)	OBSOLETO
	DIST.CAJA LAMINAS 4 mm. MC250416057 (u. 1)	OBSOLETO
	DIST.CAJA LAMINAS 4mm.V-FORCE ME300616057 (u. 1)	
8	JUEGO LAMINAS ADMISION TT125cc 952 ME120216041 (u. 1)	OBSOLETO
	JGO.LAMINAS TT OER50001 ME25616041 (u. 1) - 200-250-300	
	JUEGO LAMINAS ADMISION TT 125cc ME120116041 (u. 1)	
9	TORN.ULS TORX 8.8 6x16 ZN T0506016T (u. 1)	