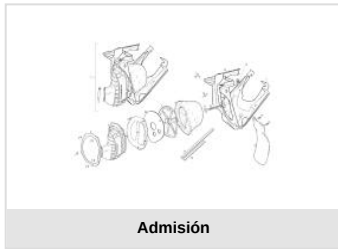




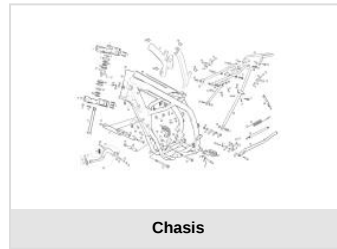
EC - MX - SM 2T 250cc 2006
Exploded



Admisión



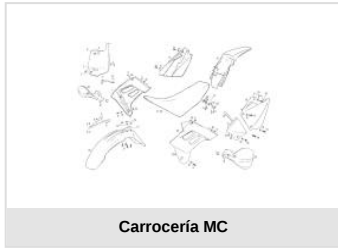
Basculante



Chasis



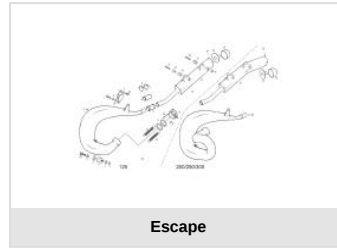
Carrocería EC-SM



Carrocería MC



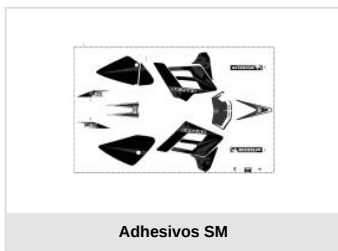
Depósito carburante



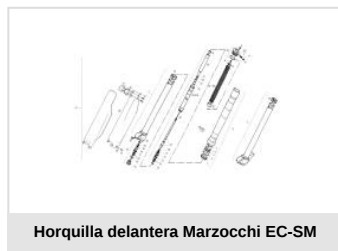
Escape



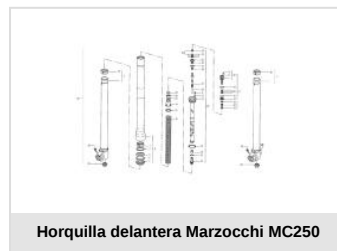
Adhesivos EC-MC



Adhesivos SM



Horquilla delantera Marzocchi EC-SM



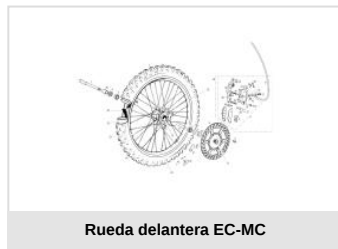
Horquilla delantera Marzocchi MC250



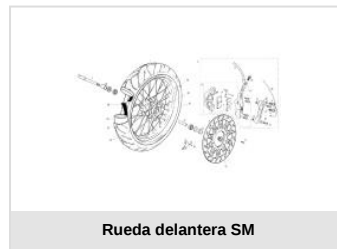
Horquilla delantera Ohlins



Manillar - mandos



Rueda delantera EC-MC



Rueda delantera SM



Rueda trasera EC-MC



Rueda trasera SM



Conjunto de cables



Herramientas de asistencia

EC - MX - SM 2T 125-200-250-300 2006- Engine



Arbol selector cambio 125



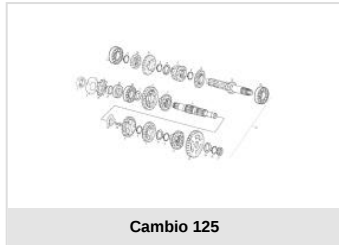
Arbol selector cambio 200-250-300



BOMBA AGUA 125



BOMBA AGUA 200-250-300



Cambio 125



Cambio 200-250-300



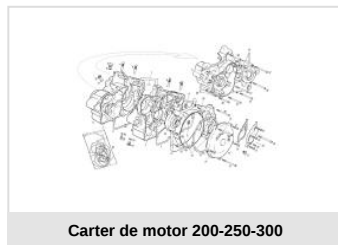
Cambio MC250



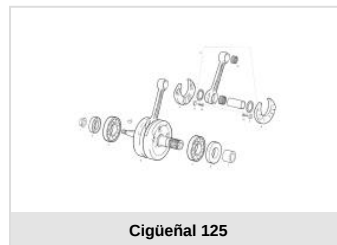
Carburador



Carter de motor 125



Carter de motor 200-250-300



Cigüeñal 125



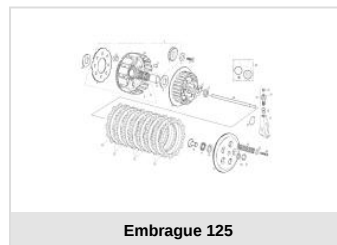
Cigüeñal 200-250-300



Cilindro 125



Cilindro 200-250-300



Embrague 125



Embrague 200-250-300



Generador 125



Generador 200-250-300



Palanca de arranque 125

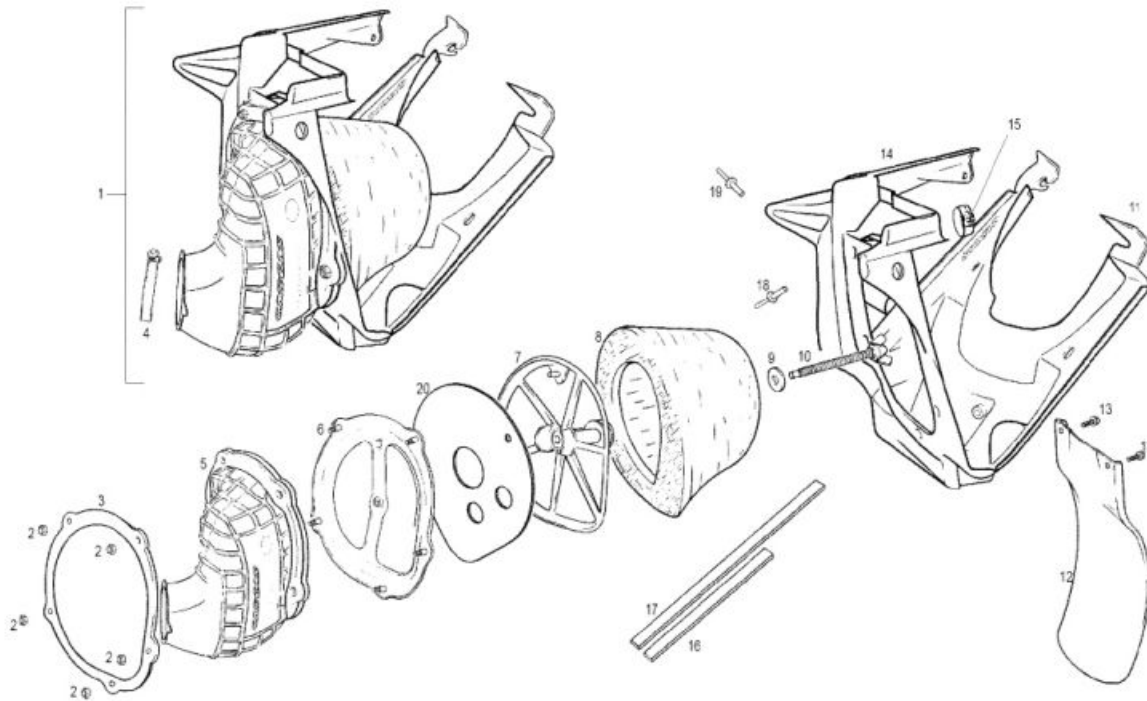


Palanca de arranque 200-250-300



Válvula de láminas

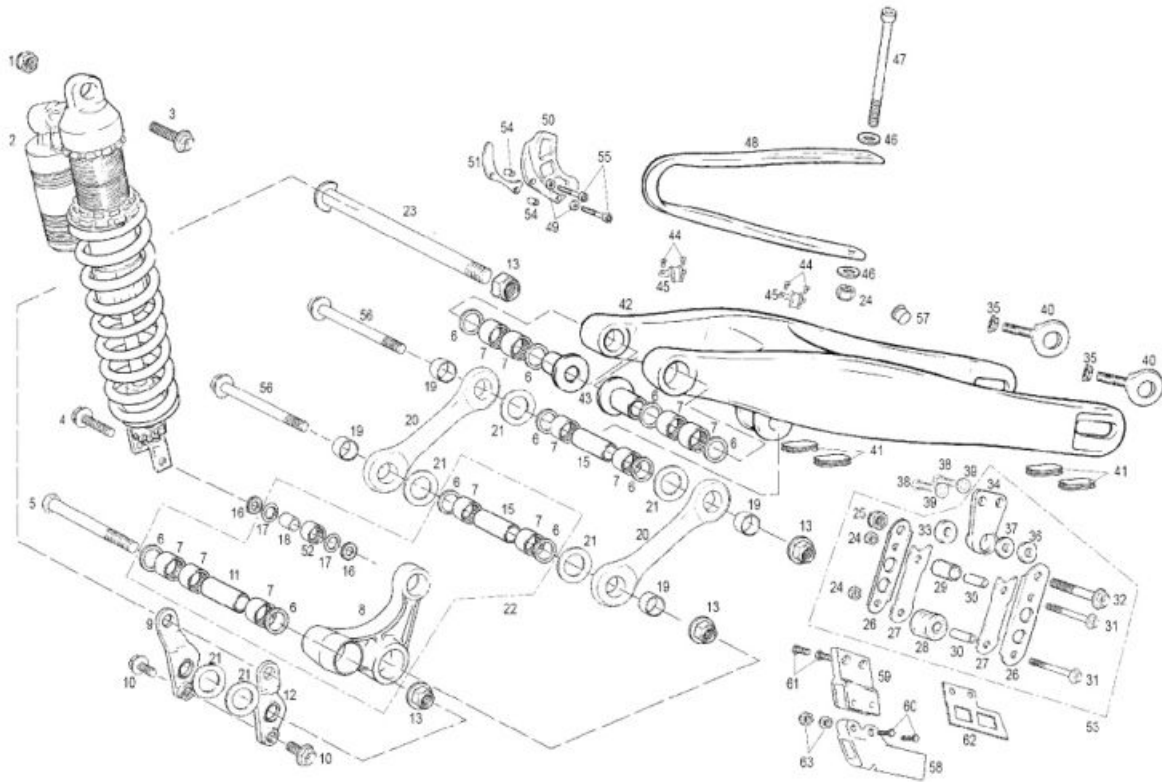
Admisión



1	AIR FILTER BOX SET EC 2005 BE250528001 (u. 1)	OBSOLETO
2	TUERCA AUTOBL. M-5 BAJA DIN-985 ZINC 8 0/000.340.9112 (u. 1)	OBSOLETO
3	TUERCA AUTOBL.DIN-985 M-5 ZN BAJA T2105000 (u. 1)	OBSOLETO
4	PLATINA SOP.JAULA FILTRO EXT.66013 BE25628021 (u. 1)	OBSOLETO
5	ABRAZ.50-70/9 W2 FILTRO AIRE/CARB. BE250328033 (u. 1)	OBSOLETO
6	ABRAZ.50-70/9 W2 FILTRO AIRE/CARB. INOX FE 0/000.680.9101 (u. 1)	OBSOLETO
7	GOMA TUBERA C.FILTRO. BE250128017 (u. 1)	OBSOLETO
8	GOMA TUBERA C.FILTRO. BE250128017/2 (u. 1)	OBSOLETO
9	PLATINA SOP.JAULA FILTRO INT.66013 BE25628020 (u. 1)	OBSOLETO
10	FILTER CAGE INNER SUPPORT PLATE BE250528020 (u. 1)	OBSOLETO
11	JAULA FILTRO AIRE 2666 BE25628002 (u. 1)	OBSOLETO
12	AIR FILTER EC 19962006 BE250128000 (u. 1)	OBSOLETO
13	FILTRO AIRE EC-2007 2T OEM158046X BE250728000 (u. 1)	OBSOLETO
14	ARANDELA PLANA 6.5X16X1.5 DIN 125 ZINC 0/000.440.9125 (u. 1)	OBSOLETO
15	ARANDELA PLANA 6.5X16X1.5 T4006016 (u. 1)	OBSOLETO

10	VARILLA-PALOM.FILTRO BE25628003 (u. 1)	OBSOLETO
11	SEMI-CAJA ESPUMA FILTRO EC-2001 BE250128016 (u. 1)	
12	PROT.AMORT.EC 2018 0/000.220.9117 (u. 1)	
	PROT.SUSP.TRAS.2740 BE25620008 (u. 1)	OBSOLETO
	PROT.AMORT.EC 2018 BE79555GG-CLJ-1 (u. 1)	OBSOLETO
13	TORN.ESP.M6x25 FIL.20 ROND.D.15 8.8 ZINC T0606025 (u. 1)	OBSOLETO
	TORN.ESP.M6x20 FIL.20 ROND.D.15 8.8 ZINC T0606020 (u. 1)	OBSOLETO
14	SEMI-CAJA TUBERA FILTRO EC-2001 BE250128015 (u. 1)	
15	ABRAZ.COBRA 20 L200045 (u. 1)	OBSOLETO
	ABRAZ.COBRA DE 20 L200035 (u. 1)	
16	TIRA ADHESIVA 118 mm C.FILTRO.AIRE BE250128029 (u. 1)	
17	TIRA ADHESIVA 180mm C.FILTRO.AIRE BE250128030 (u. 1)	
18	REMACHE 4X12 ALUMINIO T4504012 (u. 1)	OBSOLETO
19	REMACHE 4x18 T4504018 (u. 1)	
20	RESTRICCION FILTRO AIRE ENDURO 2003 BE250328014 (u. 1)	

Basculante



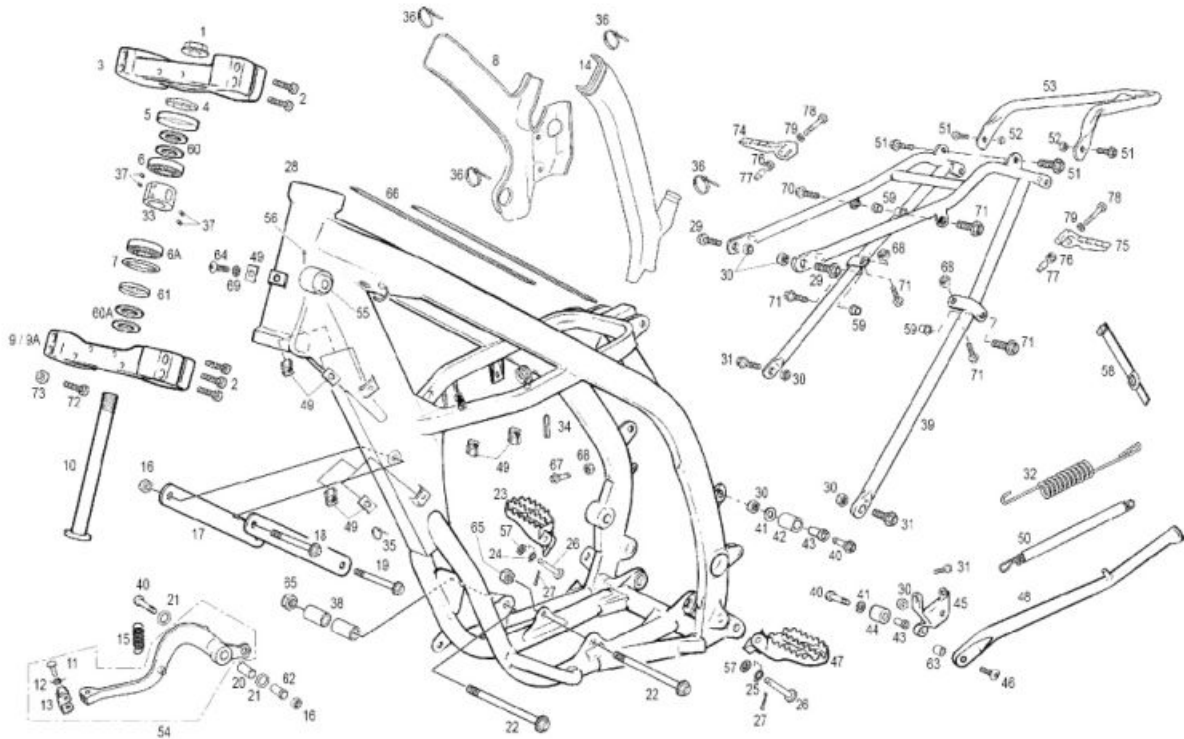
1	TUERCA AUTOB.M10 PASO 1.25 PLATA T3110002 (u. 1)	OBSOLETO
	TUERCA AUTOB.M10 PASO 1.25 ZINC 8 0/000.340.9123 (u. 1)	
2	AMORT.GG 681 K-50 OHLINS 2006 BE120614004 (u. 1)	OBSOLETO
	AMORT.GG 682 K-52 ENDURO 2006 OHLINS BE250614004 (u. 1)	OBSOLETO
	AMORT.TRAS.TRAIL 400-4T GG483 BTL400214004 (u. 1)	OBSOLETO
	AMORT.TRAS.GG4920 OHLINS BC250414004 (u. 1)	OBSOLETO
3	PERNO 10X55 10.9 GEOMET ISO 898-1 T0210055 (u. 1)	OBSOLETO
	PERNO 10X60 ISO 898-1 GEOMET 10.9 0/000.460.9131 (u. 1)	
4	TORN.ESPE M10X40X1.25 FL.14 ZIN.BL. T0110042 (u. 1)	OBSOLETO
5	TORN.ESP.14X110 1.50 FIL.20 IN 12.9 T0214110 (u. 1)	OBSOLETO
	TORN.ESP.14X110 1.50 FIL.25 12.9 MEC.INT T0214110R (u. 1)	
6	TORICA 3.5X21 BE250510011 (u. 1)	
7	JAULA AGUJAS DIAM.EXT 28 DIAM.INT.22 ANC BE25614010 (u. 1)	
8	BALANCIN TT BE25614005 (u. 1)	
9	SOP.BALANCIN DCH.O.ALUMINIO BE250314006 (u. 1)	

10	TORN.ESP.12X25X1.25 FIL.20 12.9 T02012025 (u. 1)	OBSOLETO
	TORN.ESP.12X25X1.25 FIL.20 12.9 GEOMET 0/000.460.9114 (u. 1)	
11	CASQ.14X22X62.5 BE25612005 (u. 1)	
12	SOP.BALANCIN IZQDO.ALUMINIO BE250314007 (u. 1)	
13	TUERCA BASC.TT 49650 BE25612009 (u. 1)	OBSOLETO
	TUERCA BASC.TT 49650 0/000.340.9103 (u. 1)	
15	CASQ.14X22X57 BE25612014 (u. 1)	
16	ARANDELA REGL.21X10.2X1 T4001022 (u. 1)	
17	TORICA BIELETA 15X3.5 BE25814015 (u. 1)	
18	CASQ.INF.AMORT.D.16X21x10 (BALANCIN) BE25642005 (u. 1)	
19	CASQ.BIELETA TT BE25642002 (u. 1)	
20	BIELETA CROSS 122 BC250014008 (u. 1)	
21	ARANDELA 22.4x36X0.7 REGLAJE CASQ.BASC y T4022036 (u. 1)	
22	BALANCIN EC COMP. BE250514005CT (u. 1)	
23	EJE BASCUL.EC250-2003 BE250312008 (u. 1)	
24	TUERCA AUTOBL.M-6 ALTA(CEX) T2106002 (u. 1)	OBSOLETO
25	TUERCA AUTOBL.M-8 BAJA DIN 985 ZINC 0/000.340.9114 (u. 1)	OBSOLETO
	TUERCA AUTOBLOCANTE M-8 BAJA DIN 985 ZINC. T2108001 (u. 1)	
26	PLATINA GUIA CADENA BE25912017 (u. 1)	
27	TIRA NYLON ANTIRUIDO TT BE25612022 (u. 1)	
28	RODILLO GUIA CAD.13.5X32X23.5 BE25610032 (u. 1)	
29	RODILLO GUIA CAD.SUP.65414 BE25610014 (u. 1)	
30	CASQ.GUIA CADE.TT BE25610025 (u. 1)	
31	TORN.ESP.6x40 Fil.20 GEOMET 10.9 0/000.460.9125 (u. 1)	OBSOLETO
	TORN.ESP.6X45 8.8 ZINC. T0206045 (u. 1)	
	TORN.ESP.6x40 Fil.20 GEOMET 10.9 0/000.460.9125 (u. 1)	
32	TORN.ESP.8X45 8.8 ZINC. T0208045 (u. 1)	OBSOLETO
33	BIG CHAIN GUIDE SUPPORT SPACER BE25612021 (u. 1)	OBSOLETO

34	SOPOR.GUIA CADENA BE25612018 (u. 1)	OBSOLETO
35	TUERCA CIL.8.8 ESP.10/150 C13 =ME2561603 M01613001 (u. 1)	OBSOLETO
	TUERCA DIN 6923 ZINC 8.8 ESP.10/150 C13 0/000.340.9105 (u. 1)	
36	DISTANC.SOP.GUIA CADENA PEQ. BE25612020 (u. 1)	OBSOLETO
	CASQ.6.25X25X3.5 T90062250004K (u. 1)	OBSOLETO
37	CHAIN GUIDE HOLDER SILENBLOCK BE25612019 (u. 1)	OBSOLETO
38	EXAG.8X20 (DIN 933) TODO ROS. T0108020 (u. 1)	OBSOLETO
39	ARANDELA DE 8X16X1,5 T4008016 (u. 1)	OBSOLETO
	GUARNIZ. FISSAGGIO TELAIO PARTE POST. 0/000.440.0160 (u. 1)	
40	TENSOR RUEDA 2004 BE250418022 (u. 1)	OBSOLETO
	CTO.TENSOR RUEDA 2004 BE250418022CT (u. 1)	
41	GOMA PROT.BASCUL. BE25836005 (u. 1)	
42	BASCUL.EC-NG. BE250612002RC (u. 1)	
	BASCUL.EC2001 BE250112002 (u. 1)	OBSOLETO
43	CASQ.BASCUL.EC2003 BE250312007 (u. 1)	
44	ULS 5X12 T0505012 (u. 1)	OBSOLETO
45	SUJ.LATIG.SOBRE BASC. 0/000.630.9101 (u. 1)	
	SUJ.LATIG.SOBRE BASC. BE25612006 (u. 1)	OBSOLETO
46	ARANDELA 6X18X1.5 DIN 9021 ZINC 0/000.440.9126 (u. 1)	
	ARANDELA 6X18X1.5 (DIN 9021) T4006018 (u. 1)	OBSOLETO
47	ALLEN 6 X 100 12.9 T03060100 (u. 1)	
48	PATIN CADENA EC-FSR 2008 BE420502508 (u. 1)	
	PATIN CADENA EC-2001 BE250112015 (u. 1)	OBSOLETO
49	ARANDELA PLANA 6X12X1.5 (DIN 125) T4006012 (u. 1)	OBSOLETO
	ARANDELA PLANA 6X12X1.5 DIN 125 ZINC 0/000.440.9124 (u. 1)	
50	PROT.PIÑON PLASTICO NG.EC-2008 BE486002508 (u. 1)	
	PROT.PIÑON PLASTICO ENDURO ME250036121 (u. 1)	OBSOLETO
51	PLATINA PROT.PIÑON ME25636021 (u. 1)	

52	JAULA AGUJAS DL1612 (IGBM2212) BE25614009 (u. 1)	
53	CTO.GUIA CADENA COMP.EC-2009 BE42000CT2509 (u. 1)	
	TENSOR CADENA COMP.EC BE25612018CT (u. 1)	OBSOLETO
54	CASQ.DIST.PIÑON 0/000.980.9112 (u. 1)	
	CASQ.DIST.PIÑON ME250036019 (u. 1)	OBSOLETO
55	ALLEN 6x45 12.9 T0306045 (u. 1)	OBSOLETO
	ALLEN 6x45 DIN 912 ZINC 12.9 0/000.460.9149 (u. 1)	
56	TORN.ESP.14X95X1.5 FIL.20 12.9 MEC.INT. T0201495R (u. 1)	OBSOLETO
	TORN.ESP.14x95x1.5 FIL.20 IN 12.9 T0201495 (u. 1)	OBSOLETO
57	TAP.BASCUL.REF.12980 BE250436001 (u. 1)	
58	Chain Guide Rubber Block,Pampera BC250212028 (u. 1)	OBSOLETO
	GUIA CADENA ABIERTA BE420002511 (u. 1)	
59	SOP.GUIA CADENA CROSS 250-2002 BC250221018 (u. 1)	
60	TORN.ESP.6X45 8.8 ZINC. T0206045 (u. 1)	OBSOLETO
	TORN.ESP.6x40 Fil.20 GEOMET 10.9 0/000.460.9125 (u. 1)	
	TORN.ESP.6x40 Fil.20 GEOMET 10.9 0/000.460.9125 (u. 1)	
61	ALLEN 8X20 T0308020 (u. 1)	
62	PLACA REFUERZO GUIA CADENA CROSS 2004 BC250412032 (u. 1)	
63	TUERCA AUTOBLOC. M-6 C/ARAND DIN-6926 ZINC 0/000.340.9117 (u. 1)	
	TUERCA AUTOBLOC.DIN-6926 M-6 C/ARAND ZN T2206002 (u. 1)	OBSOLETO

Chasis



1	TUERCA DIR.SUP. BE25610030 (u. 1)	OBSOLETO
	TUERCA DIR.SUP. 0/000.340.9102 (u. 1)	
2	ALLEN 7X30 DIN 912 ZINC 12.9 0/000.460.9151 (u. 1)	OBSOLETO
	ALLEN DIN 912 7X30 12.9 ZN T0307030 (u. 1)	
3	BRIDA SUP.SUSP.2004 BE250414001 (u. 1)	OBSOLETO
	BRIDA SUP.DIAM.58 SUSP.CROSS 2004 BC250414001 (u. 1)	
4	TUERCA DIR.INFE. 0/000.340.9101 (u. 1)	OBSOLETO
	TUERCA DIR.INFE. BE25610029 (u. 1)	
5	GUARDAPOLVO COJ.DIR.TT BLANCO 0/000.200.9102 (u. 1)	OBSOLETO
	GUARDAPOLVO COJ.DIR.TT BE25610126 (u. 1)	
6	COJINETE DIR.INF.320/28 0/000.960.9100 (u. 1)	OBSOLETO
	COJINETE DIR.30205A BE25610008 (u. 1)	
	COJINETE DIR.INF.320/28 BE250610008 (u. 1)	
	COJINETE DIR.30205A 0/000.960.9101 (u. 1)	

6	COJINETE DIR.30205A BE25610008 (u. 1)	OBSOLETO
	COJINETE DIR.30205A 0/000.960.9101 (u. 1)	
7	TORICA DIR.50X5 BE25610012 (u. 1)	OBSOLETO
	TORICA DIR.50X5 0/000.490.9102 (u. 1)	
8	PROT.LAT.CHASIS DCH.EC 2005 BE250520030 (u. 1)	
	CTO.PROT.CHASIS EC BE250520030CT (u. 1)	
9	BRIDA INF.DIAM.61 SUSP.CROSS 2004 BC250414002 (u. 1)	OBSOLETO
	BRIDA INF.SUSP.FSR450-2007 BFS450714002 (u. 1)	
	BRIDA INF.SUSP.D 28 EC2006 BE250614002 (u. 1)	
9_	BRIDA INF.EC250-OHLINS D.59.3 BE250414002OH (u. 1)	OBSOLETO
	BRIDA INF.SUSP.FSR450-2007 BFS450714002 (u. 1)	
	BRIDA INF.SUSP.D 28 EC2006 BE250614002 (u. 1)	
	BRIDA INF.DIAM.61 SUSP.CROSS 2004 BC250414002 (u. 1)	
10	EJE DIR.ENDURO 2006 BE250614003 (u. 1)	
11	REMACHE PUNTERA PEDAL FRENO 23X5.8 BE25922018 (u. 1)	
12	MUELLE PUNTERA PEDAL CAMBIO ME25636029 (u. 1)	
13	PUNTERA PEDAL FRENO BT27922017 (u. 1)	OBSOLETO
14	CTO.PROT.CHASIS EC BE250520030CT (u. 1)	
	PROT.LAT.CHASIS IZQ.EC 2005 BE250520031 (u. 1)	
15	MUELLE PEDAL FRENO BE25610023 (u. 1)	
16	TUERCA AUTOBL+ARANDELA M8 T2208002 (u. 1)	OBSOLETO
	TUERCA AUTOBL + ARANDELA M8 ZINC 0/000.340.9119 (u. 1)	
17	TIRANTE CULATA EC 200CC 2005 BE200510050 (u. 1) - 200	
	TIRANTE CULATA TT 99 BE25910050 (u. 1)	
18	TORN.ESP.8X65 FIL.20 8.8 T0208065 (u. 1)	OBSOLETO
19	TORN.ESP.8X70 FIL.20 12.9 ZINC. T0208070 (u. 1)	
20	GLACIER PEDAL FRENO DAP 1220P10E BE250010009 (u. 1)	
21	TORICA D-11x2=M01016100=ME25610026 ME250036063 (u. 1)	

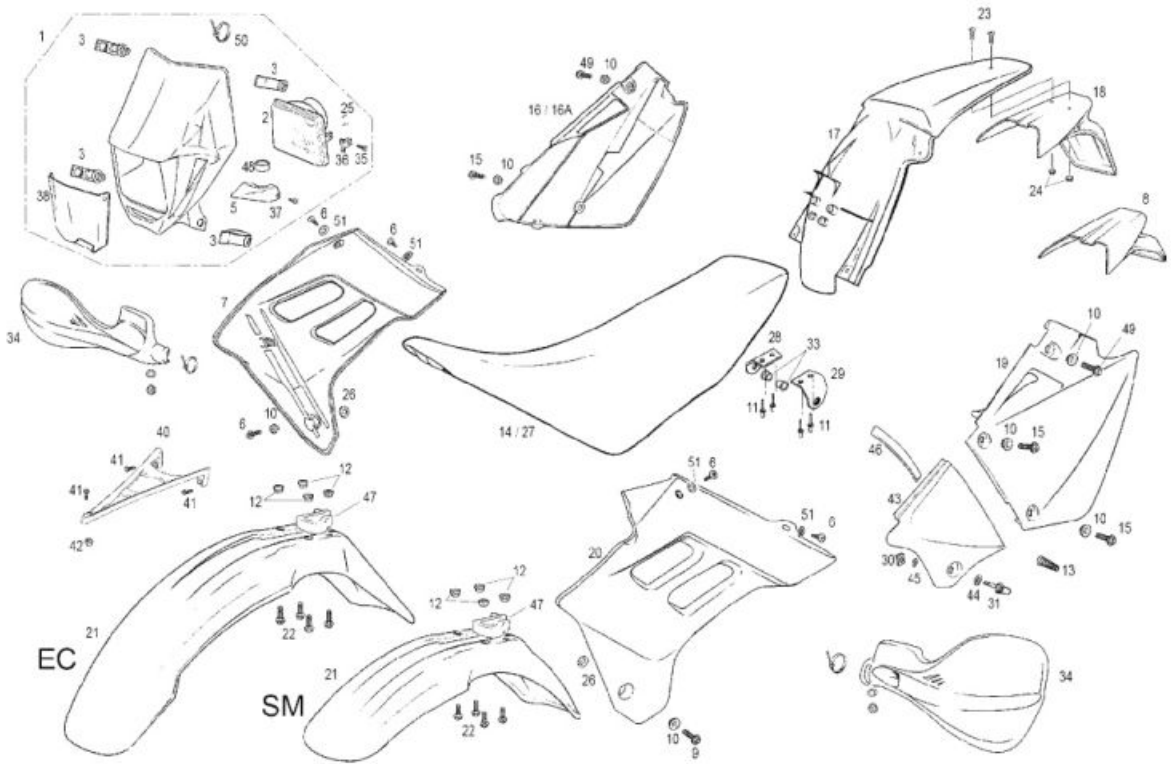
22	TORN.MOTOR M10x118 T0210118 (u. 1)	OBSOLETO
23	CTO.ESTRIBOS COMP.S EC-2013(CEX) ESK-569 BE14000CT2509/2 (u. 1)	OBSOLETO
	ESTRIBO DCH.EC-2000 BE250010002 (u. 1)	
24	MUELLE ESTRIBO DCH. BE25610037 (u. 1)	
25	MUELLE ESTRIBO IZD. BE25610038 (u. 1)	
26	CASQUILLO PASADOR ESTRIBOS 0/000.480.9101 (u. 1)	OBSOLETO
	CASQ.ESTRIBO TT-96 BE25610006 (u. 1)	
	CASQUILLO PASADOR ESTRIBOS BE14025GG-CAB-1 (u. 1)	
27	CLAVILLA ZINC.3X35 (DIN 94) PASADOR ESTR BE25622022 (u. 1)	
28	CHASIS EC125-2006 BE120610000 (u. 1) - 125	OBSOLETO
	CHASIS COMP.EC-2010 MICROFUSION BE100002510 (u. 1)	OBSOLETO
	CHASIS COMP.CROSS/USA 250-2006 BC250610000 (u. 1)	OBSOLETO
	CHASIS COMP.EC250-2006 BE250610000 (u. 1)	OBSOLETO
	CHASIS CROSS/USA 125-2006 BC120610000 (u. 1)	OBSOLETO
29	TORN.ESP.8x25 12.9+DIST.5mm T02080255 (u. 1)	OBSOLETO
30	TUERCA AUTOBL.M-8 BAJA DIN 985 ZINC 0/000.340.9114 (u. 1)	OBSOLETO
	TUERCA AUTOBLOCANTE M-8 BAJA DIN 985 ZINC. T2108001 (u. 1)	
31	TORN.ESP.8x20 8.8 ZINC. T0208020 (u. 1)	
32	MUELLE EXT.CABALLETE BE250510039 (u. 1)	
33	CASQ.ANTIRROBO EJE DIR. BE25910072 (u. 1)	OBSOLETO
34	FUNDA CLIP 1X70 art.04/00053 BE250411000 (u. 1)	
35	BRIDA UNEX NYLON 2244 4.8X20 0/000.660.9105 (u. 1)	OBSOLETO
	BRIDA UNEX 2244 4.8X20 BE25634009 (u. 1)	
	ABRAZADERA INSTALACION 0/000.680.0060 (u. 1)	
36	BRIDA UNEX NYLON 2244 16/102 4.8X36 0/000.660.9104 (u. 1)	OBSOLETO
	ABRAZADERA INSTALACION 0/000.680.0060 (u. 1)	
	BRIDA UNEX 2244 16/102 4.8X36 BE25634007 (u. 1)	
37	TORN.PRISIONERO M6X8 BE250310073 (u. 1)	

38	CASQ.SEP.MOTOR EC125cc BE120110065 (u. 1)	OBSOLETO
39	COLA CHASIS+SOP.EST.EC-2004 SM BE250410001SM (u. 1)	OBSOLETO
	COLA CHASIS EC-2000 ALUMINIO BE250010001 (u. 1)	
40	TORN.ESP.8X45 8.8 ZINC. T0208045 (u. 1)	OBSOLETO
41	ARANDELA 8X20X1.5 T4008020 (u. 1)	
42	RODILLO GUIA CAD.SUP.65414 BE25610014 (u. 1)	
43	CASQ.ROD.8.5 X 16 X 31.5 BE25612016 (u. 1)	
44	RODILLO GUIA CAD.13.5X32X23.5 BE25610032 (u. 1)	
45	SOP.CABALLETE EC250-2002 BE250212023 (u. 1)	
46	ULS 8X30 CAV. T0508030 (u. 1)	
47	CTO.ESTRIBOS COMP.S EC-2013(CEX) ESK-569 BE14000CT2509/2 (u. 1)	
	ESTRIBO IZQ.EC-2000 BE250010003 (u. 1)	OBSOLETO
48	CABALLETE EC 2010 BE142002510 (u. 1)	
	SM SUPERMOTARD EC2005 SUPPORT BE250512010SM (u. 1)	OBSOLETO
	CABALLETE EC-2005 BE250512010 (u. 1)	OBSOLETO
49	TUERCA NUT 956 RAPIDA M-6 HRc 40/48 0/000.340.9120 (u. 1)	
	TUERCA NUT 956 M-6 HRC 40/48 T2606000 (u. 1)	OBSOLETO
50	MUELLE CABALLETE+TUBO RETRACTIL BE250410039 (u. 1)	
51	TORN.ESP.6X25(10.9) VALONA 11MM T0206025 (u. 1)	OBSOLETO
	TORN.ESP.6X25 DIN 6921 GEOMET 10.9 VALONA 11MM 0/000.460.9121 (u. 1)	
52	TUERCA AUTOBL.M-6 ALTA(CEX) T2106002 (u. 1)	OBSOLETO
53	COLIN SOP.GUARDA.TRAS.ALUMINIO BE250010018 (u. 1)	
54	CTO.PEDAL FRENO ENDURO 2010 BE13000CT2510 (u. 1)	
	PEDAL FRENO EC COMP.2005 BE250522016CT (u. 1)	OBSOLETO
55	CTO.ANTIRROBO+REMACHES EC-2000 BE250010075 (u. 1)	
56	CTO.REMACHE ANTIRROBO EC (2 u.) BE250010076 (u. 1)	OBSOLETO
57	ARANDELA 10.5x19x2 T4001019 (u. 1)	OBSOLETO

58	GOMA SUJ.CDI 0/000.360.9101 (u. 1)	
	GOMA SUJ.CDI BE250034100 (u. 1)	OBSOLETO
59	TUERCA REMACH.M6 REF.23307060230 CILINDR BE250010070 (u. 1)	OBSOLETO
	TUERCA REMACH.M6 REF.23307060230 CILINDR BE250010070/2 (u. 1)	
60	ARANDELA DIR.INF. BE25610028 (u. 1)	OBSOLETO
	ARANDELA DIR.INF. 0/000.440.9101 (u. 1)	
60_	ARANDELA DIR.INF. 0/000.440.9101 (u. 1)	
	ARANDELA DIR.INF. BE25610028 (u. 1)	OBSOLETO
	ARANDELA DIR.INF.EC2006 BE250610028 (u. 1)	
61	CAZOLETA DIR.D28 BE250610026 (u. 1)	OBSOLETO
	CAZOLETA DIR.D28 0/000.200.9101 (u. 1)	
62	CASQ.SOP.PEDAL FRENO EC250-2002 BE250210916 (u. 1)	
63	CASQ.CABALLETE EC250-2001 BE250112011 (u. 1)	
64	TORNILLO ULS 6X16 ISO 7380-1 ZINC 12.9 T0506016 (u. 1)	
65	TUERCA AUTOB.M10 PASO 1.25 PLATA T3110002 (u. 1)	OBSOLETO
	TUERCA AUTOB.M10 PASO 1.25 ZINC 8 0/000.340.9123 (u. 1)	
66	TIRA GOMA ADH.LAT.ES CHASIS 26cm(CEX) BE25638018 (u. 1)	
67	EXAG.6x25 8.8 (DIN 933) T0106025 (u. 1)	OBSOLETO
68	TUERCA ARAND.M-6 AUTOB. T2206001 (u. 1)	
69	ARANDELA PLANA 6X12X1.5 (DIN 125) T4006012 (u. 1)	OBSOLETO
	ARANDELA PLANA 6X12X1.5 DIN 125 ZINC 0/000.440.9124 (u. 1)	
70	ULS 6x25+ARANDELA ZINC. T0556025 (u. 1)	
71	TORN.ESP.M6x20 FIL.20 ROND.D.15 8.8 ZINC T0606020 (u. 1)	OBSOLETO
	TORN.ESP.M6x25 FIL.20 ROND.D.15 8.8 ZINC T0606025 (u. 1)	OBSOLETO
72	ALLEN 8X20 T0308020 (u. 1)	
73	TUERCA tope DIR.M8x13x8 ZINCADA BL.BN133 T2008002 (u. 1)	OBSOLETO
	TUERCA tope DIR.M8x13x8 ISO 4033 ZINC 0/000.340.9109 (u. 1)	
74	SM REAR RIGHT FOOTREST BE250410102SM (u. 1)	OBSOLETO

75	SM REAR LEFT FOOTREST BE250410103SM (u. 1)	OBSOLETO
76	MUELLE ESTRIBO TRAS. BIE500110037 (u. 1)	
77	CASQ.GUIA ESTRIBOS TRAS.S BIE500110104 (u. 1)	OBSOLETO
78	ALLEN 8X45 .ESTRIB. T0308045 (u. 1)	
79	GUARNIZ. FISSAGGIO TELAIO PARTE POST. 0/000.440.0160 (u. 1)	
	ARANDELA DE 8X16X1,5 T4008016 (u. 1)	OBSOLETO
	ARANDELA PLANA 8X17X1.5 (DIN 125) T4008017 (u. 1)	OBSOLETO

Carrocería EC-SM



1	CTO.PORTAFAROS DEL.EC300-2006 BE300620020CT (u. 1)	OBSOLETO
	CTO.PORTAFAROS DEL.EC250-2006 BE250620020CT (u. 1)	OBSOLETO
	CTO.PORTAFAROS DEL.SUPERMOTARD 2005 BE250520020CTSM (u. 1)	OBSOLETO
	CTO.PORTAFAROS DEL.EC125-2006 BE120620020CT (u. 1)	OBSOLETO
2	OPTICA HALOGENA HS1 35W-12V (1003204)+L. BE250520024 (u. 1)	
3	GOMA SUJETA FARO D.38 PP HP2070291G BE25636015 (u. 1)	OBSOLETO
	GOMA SUJETA FARO D.38 PP HP2070291G 0/000.360.9102 (u. 1)	
5	FARO DEL.AMARILLO 2006 BE120620020 (u. 1) - EC125,EC200	
	FARO DEL.AZ.2006 BE300620020 (u. 1)	OBSOLETO
	FARO DEL.AZ.2005 BE300520020 (u. 1)	
	FARO DEL.ROJO 2006 BE250620020 (u. 1)	
6	TOR.ROSC.PLAST.C.ALOM+ARAND.4.5X14 AAZ Z BE250420063/2 (u. 1)	OBSOLETO
	TORN.ROSCA PLASTICO(RF77R)4,5X14 NG. BE250420063 (u. 1)	

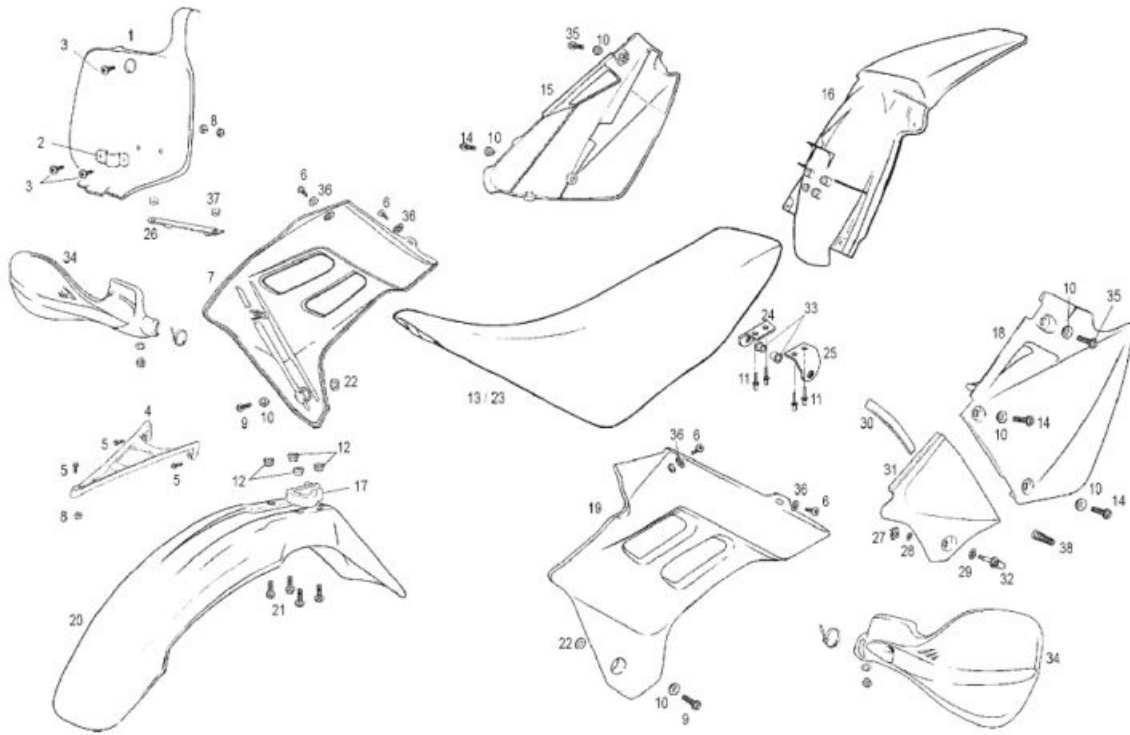
	TAPA LAT.RAD.DCH.O EC250 SM 2004 BE250420012SM (u. 1) - SM125,SM250	
7	TAPA LAT.RAD.DCH.EC250-2006 BE250620012 (u. 1)	
	RIGHT SIDE RADIATOR COVER EC250300 BLUE BE300620012 (u. 1)	OBSOLETO
	TAPA RAD.DCH.AMAR.EC2006 BE120620012 (u. 1) - EC125,EC200	
8	PORTAMATRICULAS RACING BE250121003 (u. 1)	OBSOLETO
	PORTAMATRICULAS EC 2004 BE250420003 (u. 1)	
9	TORN.ESP.6X16 10.9 ZINC. T0206016 (u. 1)	OBSOLETO
	TORN.ESP.6X16 DIN 6921 ZINC.10.9 0/000.460.9119 (u. 1)	
10	CASQ.TAPA RAD.ALUMINIO(CEX) BE250032060 (u. 1)	
11	REMACHE LACADO NG.4.8x12 T4504812N (u. 1)	OBSOLETO
	SEAT RIVET 14X48X14 BE25610017 (u. 1)	OBSOLETO
12	CASQ.GUARDAB.+VALONA BE250014118 (u. 1)	
13	MUELLE DZUS 324-201-200 BE250528047 (u. 1)	
14	SILLIN EC250-2004 BE250410015 (u. 1)	OBSOLETO
	SILLIN EC 250-2005 BE250510015 (u. 1)	OBSOLETO
	CTO.SILLIN EC 250-2005 BE250510015CT (u. 1)	OBSOLETO
15	TORN.ESP.6x20 DIN 6921 GEOMET 10.9 0/000.460.9120 (u. 1)	
	TORN.ESP.6x20 10.9 ZINC.(CEX) T0206020 (u. 1)	OBSOLETO
16_	PORTANUMERO LAT.DCH.EC300-2006 BE300620004 (u. 1)	OBSOLETO
	PORTANUMS.LAT.DCH.125CC 2006 BE120620004 (u. 1) - EC125	
	PORTAN.LAT.DCH.O.EC SM 2004 BE120420004SM (u. 1) - SM125	
	TAPA PORTANUMS.LAT.DERCH.EC250 SM 2004 BE250420004SM (u. 1) - SM250	
	PORTANUMS.LAT.DCH.EC250-2006 BE250620004 (u. 1)	OBSOLETO
16	TAPA PORTANUMS.LAT.DERCH.EC250 SM 2004 BE250420004SM (u. 1) - SM250	
	PORTANUMS.LAT.DCH.EC250-2006 BE250620004 (u. 1)	OBSOLETO
	PORTANUMS.LAT.DCH.125CC 2006 BE120620004 (u. 1) - EC125	
	PORTAN.LAT.DCH.O.EC SM 2004 BE120420004SM (u. 1) - SM125	
	PORTANUMERO LAT.DCH.EC300-2006 BE300620004 (u. 1)	OBSOLETO

17	GUARDAB.TRAS.EC125 2006 BE120620007 (u. 1) - <i>EC125,EC200</i>	
	GUARDAB.TRAS.EC300-2006 BE300620007 (u. 1) - <i>EC300</i>	
	GUARDAB.TRAS.EC250SM 2004 BE250420007SM (u. 1) - <i>SM125,SM250</i>	
	GUARDAB.TRAS.EC250-2006 BE250620007 (u. 1)	
18	PORTAMATRICULAS EC 2004 BE250420003 (u. 1)	
19	PORTANUMS.LAT.IZQ.EC125 SM 2004 BE120420005SM (u. 1) - <i>SM125</i>	
	PLACA LATERAL IZQ. BE250520005R (u. 1)	
	PORTANUMERO LAT.IZQ.EC300-2006 BE300620005 (u. 1) - <i>EC300</i>	
	PORTANUMS.LAT.IZQ.EC250-2006 BE250620005 (u. 1)	
	LEFT SIDE COVER EC200 BE120620005 (u. 1)	OBSOLETO
	TAPA PORTANUMS.LAT.IZDA EC250SM 2004 BE250420005SM (u. 1) - <i>SM250</i>	
20	LEFT SIDE RADIATOR COVER EC250300 BLUE BE300620013 (u. 1)	OBSOLETO
	TAPA LAT.RAD.IZQ.EC250-2006 BE250620013 (u. 1)	
	TAPA RAD.IZQ.AMAR.EC2006 BE120620013 (u. 1) - <i>EC125,200</i>	
	TAPA LAT.RAD.IZDA.EC 250 SM 2004 BE250420013SM (u. 1) - <i>SM125,SM250</i>	
21	GUARDAB.DEL.EC125 2006 BE120620006 (u. 1) - <i>EC125,200</i>	
	GUARDAB.DEL.EC250-2006 BE250620006 (u. 1)	
	GUARDAB.DEL.EC 250 SM 2004 BE250420006SM (u. 1) - <i>SM125,SM250</i>	
	GUARDAB.DEL.EC300-2006 BE300620006 (u. 1) - <i>EC300</i>	
22	TORN.ESP.M6x25 FIL.20 ROND.D.15 8.8 ZINC T0606025 (u. 1)	OBSOLETO
23	TORN.PHILIPS M6x20 T0706020 (u. 1)	OBSOLETO
	Flat/Philips/Coin Bolt 6X25 T0706025 (u. 1)	OBSOLETO
24	TUERCA AUTOBL.M-6 ALTA(CEX) T2106002 (u. 1)	OBSOLETO
25	TORN.ROSCA PLASTICO 3.5x12 TRIAL PRO BT280228035 (u. 1)	OBSOLETO
26	ARANDELA NYLON 6,5x16x1 T06065017 (u. 1)	OBSOLETO

	FUNDA SILLIN 2005 BE250510055 (u. 1)	
27	SILLIN EC250-2004 BE250410015 (u. 1)	OBSOLETO
	CTO.SILLIN EC 250-2005 BE250510015CT (u. 1)	OBSOLETO
	FUNDA SILLIN TT2004 BE250410055 (u. 1)	OBSOLETO
28	SOP.SILLIN DCH.ALUMINIO BE250010019 (u. 1)	
29	SOP.SILLIN IZQ.ALUMINIO BE250010020 (u. 1)	
30	CIERRE RAPIDO DZUS 334-300-190 TAPA LAT. BE250128026 (u. 1)	
31	TORN.CIERRE RAPIDO DZUS 314-417-170 BE250128027 (u. 1)	OBSOLETO
33	TUERCA EXAG.23341060230 REMACH.CUERP.MOL T2706000 (u. 1)	OBSOLETO
34	JUEGO PARAMANOS HD2050N TRAIL GC BTL400220034GC (u. 1)	
35	TORN.ESP.6X16 DIN 6921 ZINC.10.9 0/000.460.9119 (u. 1)	
	TORN.ESP.6X16 10.9 ZINC. T0206016 (u. 1)	OBSOLETO
36	SOP.OPTICA HAL.LOGENA BE250520028 (u. 1)	
37	TORN.ROSCA CHAPA 3x9 T1003009 (u. 1)	OBSOLETO
38	PROT.OPTICA HALOGENA ENDURO 2005 BE250520071 (u. 1)	OBSOLETO
40	TIRANTE GUARDAB.DEL.EC250-2002 BE250220039 (u. 1)	OBSOLETO
41	ULS 6X20 ZINC. T0506020 (u. 1)	
42	TUERCA+ARAN.M-6 ESTR. DIN 6923 ZINC 8 0/000.340.9116 (u. 1)	
	TUERCA+ARAN.M-6 (DIN 6923) ESTR. T2206000 (u. 1)	OBSOLETO
43	TAPA LAT.C.FILTRO.SM 2004 BE250428025SM (u. 1)	OBSOLETO
	TAPA LAT.C.FILTRO.EC-2001 BE250128025 (u. 1)	
44	ARANDELA 5X12X1.5 T4005012 (u. 1)	OBSOLETO
	ARANDELA 5X12X1.5 DIN 125A ZINC 0/000.440.9121 (u. 1)	
45	ARANDELA NYLON 4,5x14x1 T6004141 (u. 1)	
46	JUNTA ESPUMA T.FILTRO.EC250-2002 BE250228031 (u. 1)	
47	GUIA CABLE ENDURO 2005 BE250520016 (u. 1)	
48	SUJ.RESTRICCIÓN AIRE HOMOL. BE25920053 (u. 1)	

49	TORN.ESP.6X25 DIN 6921 GEOMET 10.9 VALONA 11MM 0/000.460.9121 (u. 1)	
	TORN.ESP.6X25(10.9) VALONA 11MM T0206025 (u. 1)	OBSOLETO
50	ABRAZADERA INSTALACION 0/000.680.0060 (u. 1)	
	BRIDA UNEX NYLON 3.6x140 LATIG.EMBR. 0/000.680.9100 (u. 1)	
	BRIDA NYLON 3.6x140 LATIG.EMBR. BE250022031 (u. 1)	OBSOLETO
51	ARANDELA PLACAS RAD.EC2005 BE250511002 (u. 1)	

Carrocería MC

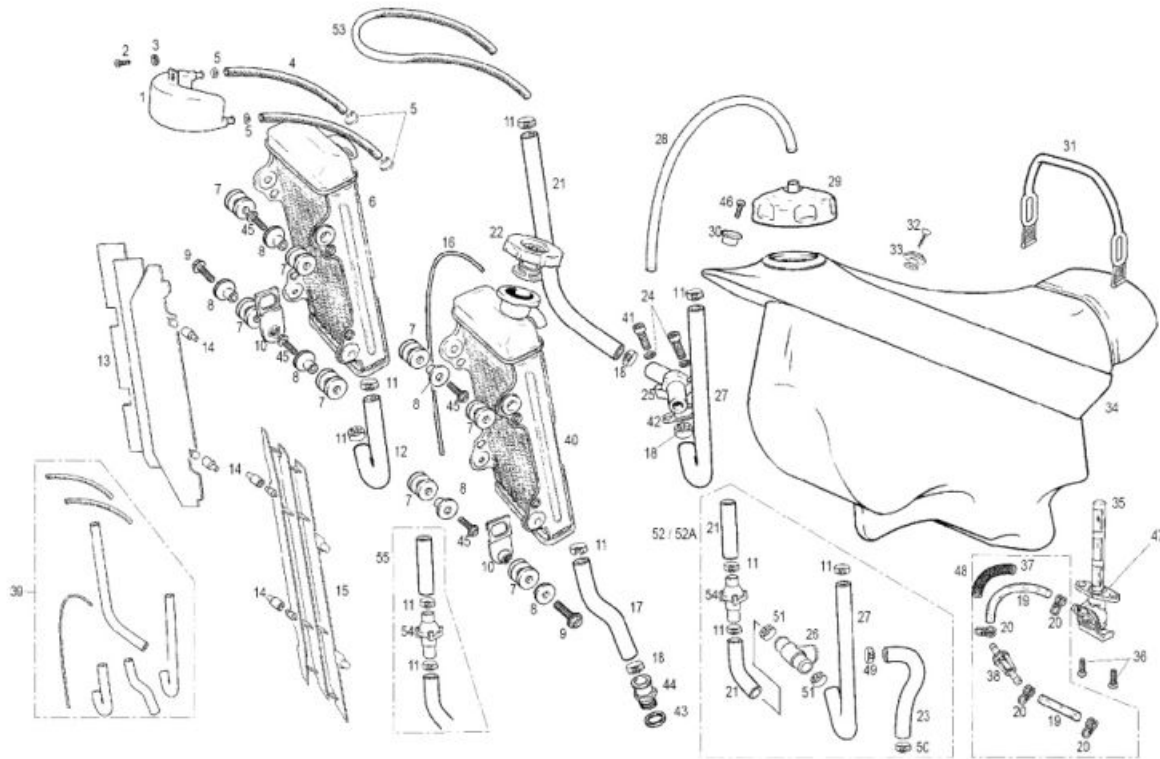


1	CTO.PLACA PORTAN.DEL+ADH.CROSS 250c BC250620020CT (u. 1)	OBSOLETO
	CTO. PLACA PORTAN. DEL. CON ADH. CR BC120620020CT (u. 1)	OBSOLETO
2	GUIA LATIGUILLO 2464 NERO BC250220009 (u. 1)	OBSOLETO
3	TORNILLO ULS 6X16 ISO 7380-1 ZINC 12.9 T0506016 (u. 1) - 250 ROJO	
4	TIRANTE GUARDAB.DEL.EC250-2002 BE250220039 (u. 1)	OBSOLETO
5	ULS 6X20 ZINC. T0506020 (u. 1) - 250 ROJO	
6	TOR.ROSC.PLAST.C.ALOM+ARAND.4.5X14 AAZ Z BE250420063/2 (u. 1)	OBSOLETO
	TORN.ROSCA PLASTICO(RF77R)4,5X14 NG. BE250420063 (u. 1)	
7	TAPA LAT.RAD.DCH.EC250-2006 BE250620012 (u. 1) - 250 ROJO	
	TAPA RAD.DCH.AMAR.EC2006 BE120620012 (u. 1) - 125 ROJO	
8	TUERCA+ARAN.M-6 ESTR. DIN 6923 ZINC 8 0/000.340.9116 (u. 1)	
	TUERCA+ARAN.M-6 (DIN 6923) ESTR. T2206000 (u. 1)	OBSOLETO
9	TORN.ESP.6X16 10.9 ZINC. T0206016 (u. 1)	OBSOLETO
	TORN.ESP.6X16 DIN 6921 ZINC.10.9 0/000.460.9119 (u. 1)	
10	CASQ.TAPA RAD.ALUMINIO(CEX) BE250032060 (u. 1) - 250 ROJO	

11	REMACHE LACADO NG.4.8x12 T4504812N (u. 1)	OBSOLETO
	SEAT RIVET 14X48X14 BE25610017 (u. 1)	OBSOLETO
12	CASQ.GUARDAB.+VALONA BE250014118 (u. 1) - 250 ROJO	
13	SILLIN EC 250-2005 BE250510015 (u. 1)	OBSOLETO
	CTO.SILLIN EC 250-2005 BE250510015CT (u. 1)	OBSOLETO
14	TORN.ESP.M6x20 FIL.20 ROND.D.15 8.8 ZINC T0606020 (u. 1)	OBSOLETO
	TORN.ESP.M6x25 FIL.20 ROND.D.15 8.8 ZINC T0606025 (u. 1)	OBSOLETO
16	GUARDAB.TRAS.EC250-2006 BE250620007 (u. 1) - 250 ROJO	
	GUARDAB.TRAS.EC125 2006 BE120620007 (u. 1) - 125 ROJO	
17	GUIA CABLE ENDURO 2005 BE250520016 (u. 1) - 250 ROJO	
19	TAPA RAD.IZQ.AMAR.EC2006 BE120620013 (u. 1) - 125 ROJO	
	TAPA LAT.RAD.IZQ.EC250-2006 BE250620013 (u. 1) - 250 ROJO	
20	GUARDAB.DEL.EC250-2006 BE250620006 (u. 1) - 250 ROJO	
	GUARDAB.DEL.EC125 2006 BE120620006 (u. 1) - 125 ROJO	
21	TORN.ESP.6x20 10.9 ZINC.(CEX) T0206020 (u. 1)	OBSOLETO
	TORN.ESP.6x20 DIN 6921 GEOMET 10.9 0/000.460.9120 (u. 1)	
22	ARANDELA NYLON 6,5x16x1 T06065017 (u. 1)	OBSOLETO
23	FUNDA SILLIN 2005 BE250510055 (u. 1) - 250 ROJO	
24	SOP.SILLIN DCH.ALUMINIO BE250010019 (u. 1) - 250 ROJO	
25	SOP.SILLIN IZQ.ALUMINIO BE250010020 (u. 1) - 250 ROJO	
26	PLACA PORTANUMEROS DELANTERA CROSS COUNTRY 2018 BLANCA BE90500GG-MXC-1 (u. 1)	
	FRONT COVER SUPPORT BC250220032 (u. 1)	OBSOLETO
27	CIERRE RAPIDO DZUS 334-300-190 TAPA LAT. BE250128026 (u. 1) - 250 ROJO	
28	NYLON WASHER BE250128028 (u. 1)	OBSOLETO
29	ARANDELA 5X10X1 DIN 125 ZINC 0/000.440.9120 (u. 1)	
	ARANDELA 5X10X1 (DIN 125) T4005010 (u. 1)	OBSOLETO
30	JUNTA ESPUMA T.FILTRO.EC250-2002 BE250228031 (u. 1) - MC	
31	TAPA LAT.C.FILTRO.EC-2001 BE250128025 (u. 1) - MC	

32	TORN.CIERRE RAPIDO DZUS 314-417-170 BE250128027 (u. 1)	OBSOLETO
33	TUERCA EXAG.23341060230 REMACH.CUERP.MOL T2706000 (u. 1)	OBSOLETO
34	JUEGO PARAMANOS HD2050N TRAIL GC BTL400220034GC (u. 1)	
35	TORN.ESP.6X25(10.9) VALONA 11MM T0206025 (u. 1)	OBSOLETO
	TORN.ESP.6X25 DIN 6921 GEOMET 10.9 VALONA 11MM 0/000.460.9121 (u. 1)	
36	ARANDELA PLACAS RAD.EC2005 BE250511002 (u. 1)	
37	GOMA PROT.LATIGUILLO 4947 G200000 (u. 1)	
38	MUELLE DZUS 324-201-200 BE250528047 (u. 1)	

Depósito carburante



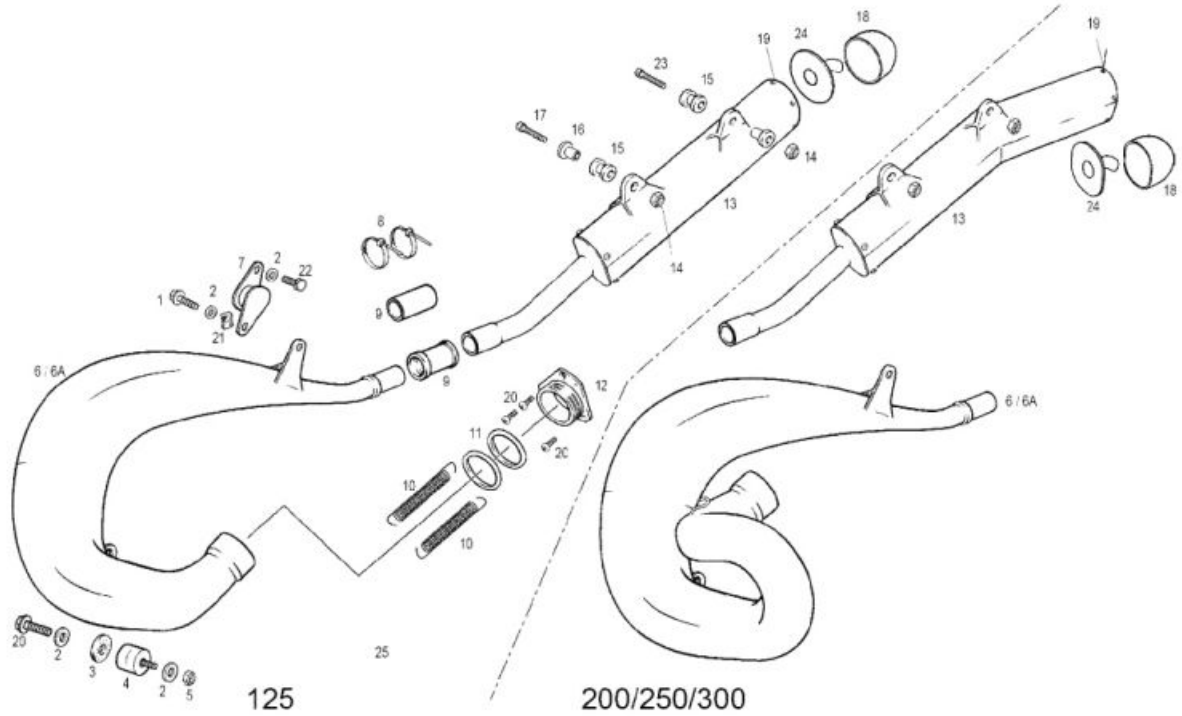
1	EXPANSION TANK BE250132005 (u. 1)	OBSOLETO
2	TORNILLO ULS 6X16 ISO 7380-1 ZINC 12.9 T0506016 (u. 1)	
3	ARANDELA PLANA 6X12X1.5 DIN 125 ZINC 0/000.440.9124 (u. 1)	
	ARANDELA PLANA 6X12X1.5 (DIN 125) T4006012 (u. 1)	OBSOLETO
4	TUBO.RAD.AL VASO ESPANSION BE25632008 (u. 1)	
5	ABRAZ.MUELLE D.12.9-13.6 AMARILLO 020161 BE250210047 (u. 1)	
	RIGHT RADIATOR BE120132000 (u. 1)	OBSOLETO
6	RAD.DCH.EC125-2014 (213.118) BE700001213 (u. 1)	
	KIT SUBSTITUCION RADIADOR DCHO EC 96-2006 BE250532000 (u. 1)	
7	GOMA TOPE RAD.49100025 BIE500132031 (u. 1)	
8	CASQ.INF.SUJ.RAD. BE25832040 (u. 1)	
9	TORN.ESP.6X16 10.9 ZINC. T0206016 (u. 1)	OBSOLETO
	TORN.ESP.6X16 DIN 6921 ZINC.10.9 0/000.460.9119 (u. 1)	
10	PLASTICO LAT.RAD. BE25632015 (u. 1)	
11	ABRAZ.COBRA DE 22 L200038 (u. 1)	

12	TUBO RAD.INF.DCH.O.EC125-2001 BE120132006 (u. 1) - 125	
	TUBO RAD.INF.DCH.TT 250-96 BE25632006 (u. 1)	
13	REJILLA RAD.L 49100090W BE25620001 (u. 1)	
14	RADIATOR RACK END BE25620101 (u. 1)	OBSOLETO
15	REJILLA RAD.R 49100089W BE25620002 (u. 1)	
16	TUBO SOBRANTE RAD.5X8 - 39cm.- TT-96 BE25632009 (u. 1)	OBSOLETO
	TUBO SOBRANTE RAD.5X8 - 39cm.- TT-96 0/000.290.9117 (u. 1)	
17	TUBO RAD.INF.IZQ.-DCH.EC125-2003 BE25632007 (u. 1) - 125	
	TUBO RAD.INF.IZQ.EC 250-2004 BE250432007 (u. 1)	
18	ABRAZ.COBRA D.21 INOX A2 0/000.680.9105 (u. 1)	
	ABRAZ.COBRA-21 L200046 (u. 1)	OBSOLETO
19	CTO.TUBO DESVAP.GASOLINA 26cm 0/000.290.9115 (u. 1)	
	CTO.TUBO DESVAP.GASOLINA 26cm BT280310018 (u. 1)	OBSOLETO
	TUBO GASOLINA TT-96 = 16cm. BE25636004 (u. 1)	OBSOLETO
20	ABRAZ.MOLLA M-11.6-12.3 ROSA 02016098 BE25610044 (u. 1)	OBSOLETO
	ABRAZ.MOLLA M-11.6-12.3 ZINC CR3 0/000.680.9102 (u. 1)	
21	TUBO RAD.SUP.DCH. BE25632012 (u. 1)	
22	TAPON RADIADOR 1.8 (214T2618) BFS701504509 (u. 1)	
	Radiator Cap TXT L200110 (u. 1)	OBSOLETO
23	TUBO CULATA EC125cc BE120332018 (u. 1) - 125	
24	ARANDELA COBRE 6x10x1.5 TAPA TERMOSTATO ME25916002 (u. 1)	OBSOLETO
	ARANDELA COBRE 6X10X1.5 TORN.VAC.AGUA CI 0/000.440.9122 (u. 1)	
	ARANDELA COBRE 6X10X1.5 TORN.VAC.AGUA CI T4006008 (u. 1)	OBSOLETO
25	TAPA TERMOSTATO ENDUCROSS 2003 ME250316001 (u. 1)	
26	TUBO BIFURCACION RAD. BE120132011 (u. 1)	OBSOLETO
27	TUBO RAD.SUP.IZQ.TT 250-96 BE25632002 (u. 1)	OBSOLETO
	TUBO RAD.SUP.IZQ.EC-2007 2T BE250732002 (u. 1)	
28	TUBO DESVAPOR.TAP.GAS.(20cm.SIN VALV.) BE250520011 (u. 1)	

	CTO.TAP.GASOLINA+TUBO EC 2014 BE76010CT-CAB-1 (u. 1)	
29	CTO.TAP.GASOLINA+TUBO BE250520010CT (u. 1)	OBSOLETO
	TAP.GASOLINA 2005 06000109 BE250520010 (u. 1)	OBSOLETO
30	CASQ.DEP.=B560040 BE25610007 (u. 1)	
31	TIRA SUJ.DEPEC-2001 BE250136020 (u. 1)	
32	TORN.c/plana 4.5x25 T0610001 (u. 1)	OBSOLETO
33	CASQ.TORN.DEPEC50cc BIE050210007 (u. 1)	
34	DEP.GASOL.EC-2005 BE250510024 (u. 1)	OBSOLETO
	DEP.GASOL.EC-2010 BE760002510 (u. 1)	OBSOLETO
35	GRIFO GASOLINA ref.01z3314006 BE25610031 (u. 1)	
36	ULS 6X12 T0506012 (u. 1)	OBSOLETO
37	MUELLE PROTECCION TUBO GASOLINA BE25910068 (u. 1)	
38	FILTRO GASOLINA EC 1FL0001 BE25610051 (u. 1)	
39	CTO.TUBO RAD.TT 250 BE25632010 (u. 1)	
40	RAD.IZQ.TT-2003 ref.45451U BE250332001 (u. 1)	
	RAD.IZQ.EC-250-2014 2T(213.119) BE700503013 (u. 1)	
	RAD.IZQ.EC125-2003 ref.45410U BE120332001 (u. 1)	OBSOLETO
41	ALLEN 5x30 8.8 DRACOMET T0305030 (u. 1)	
42	JUNTA TAPA TERMOSTATO ME25944011 (u. 1)	
43	ARAN.FIBRA 14X20X2 RACORD ENTRADA AGUA = ME25610014 (u. 1)	
44	RACORD ENTRADA AGUA ME25610013 (u. 1)	
45	ALLEN 6X20 12.9 T0306020 (u. 1)	
	TORN.ESP.6x20 10.9 ZINC.(CEX) T0206020 (u. 1)	OBSOLETO
	TORN.ESP.6x20 DIN 6921 GEOMET 10.9 0/000.460.9120 (u. 1)	
46	TORN.ESP.6x20 DIN 6921 GEOMET 10.9 0/000.460.9120 (u. 1)	
	TORN.ESP.6x20 10.9 ZINC.(CEX) T0206020 (u. 1)	OBSOLETO
47	TORICA GRIFO GASOLINA 10X2.5 B740120 (u. 1)	

48	CTO.FILTRO GASOLINA EC250-2002 BE250210133 (u. 1)	OBSOLETO
	FILTRO GASOLINA EC 1FL0001 BE25610051 (u. 1)	
49	ABRAZ.COBRA 26 BE120132051 (u. 1)	OBSOLETO
50	ABRAZ.COBRA 25 BE120132052 (u. 1) - 125	
52	CTO.TUBOS SUP.RAD.CULATA EC125-2003 BE120332045 (u. 1) - 125	
52_	CTO.TUBOS SUP.RAD.CULATA EC125-2003 BE120332045 (u. 1) - 125	OBSOLETO
	CTO.TUBO SUP.RAD.CULAT+TERMO.EC125SM-200 BE120432045CT (u. 1)	
53	TUBO 15 CM.LARGO (PARA COMU.RAD.DCH.-IZQ BC25732008 (u. 1)	OBSOLETO
54	CUERPO TERMOSTATO SM BE250432070 (u. 1) - SM 250	
55	CTO.TERMOSTATO SUPERMOTARD 2004 BE250432070CT (u. 1) - SM 250	

Escape



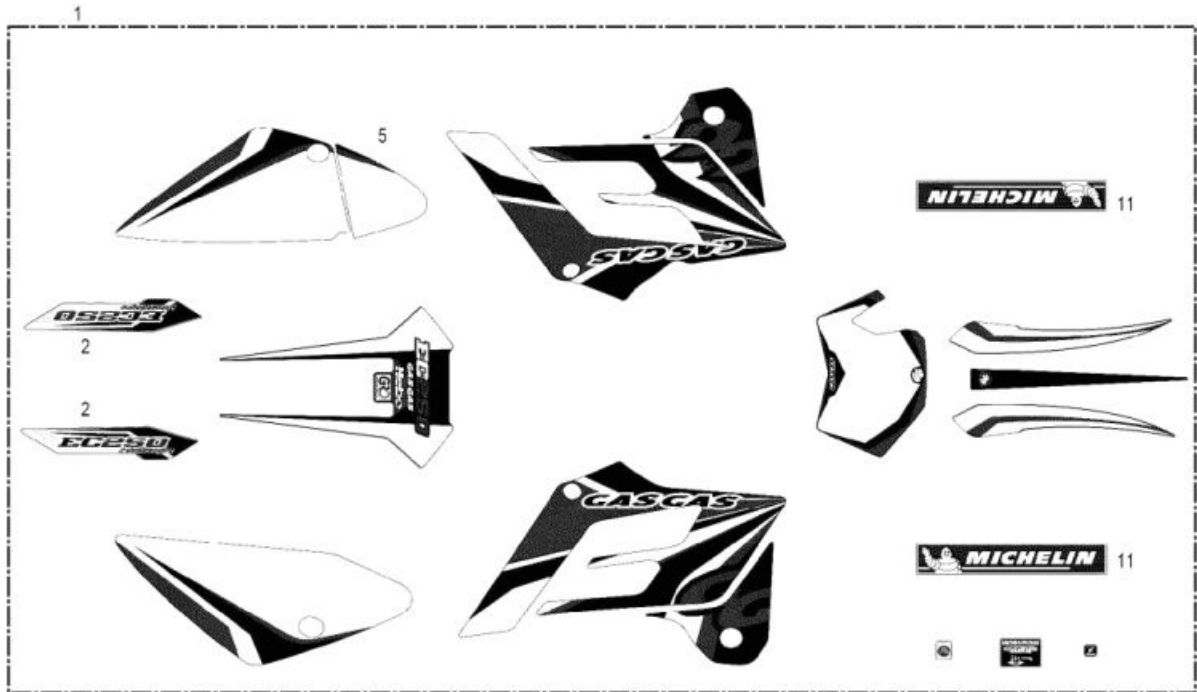
1	EXAG.6x15 12.9 T0106015 (u. 1)	
2	ARANDELA 6X18X1.5 DIN 9021 ZINC 0/000.440.9126 (u. 1)	
2	ARANDELA 6X18X1.5 (DIN 9021) T4006018 (u. 1)	OBSOLETO
3	ARANDELA KLINGERIT 7x25x2 T4006725 (u. 1)	OBSOLETO
4	SILENBLOCK ESCAPE 8986 25/20MF6 BE25626007 (u. 1)	
5	TUERCA AUTOBL.BAJA M-6 DIN 985 ZN CR3 6 0/000.340.9113 (u. 1)	
5	TUERCA AUTOBL.BAJA M-6 (DIN 985) T2106001 (u. 1)	OBSOLETO

	TUBO ESCAPE CR250-2003 BC250326001 (u. 1)	OBSOLETO
	TUBO ESCAPE EC125-2003 BE120326001 (u. 1)	OBSOLETO
	TUBO ESCAPE ENDURO 250-2003 SUPERMOTARD BC250226001SM (u. 1)	OBSOLETO
	TUBO ESCAPE CR250-2003 BC250326001 (u. 1)	OBSOLETO
	TUBO ESCAPE EC250-2003 BE250326001 (u. 1)	OBSOLETO
	TUBO ESCAPE EC125-2003 BE120326001 (u. 1)	OBSOLETO
	TUBO ESCAPE EC250-2003 BE250326001 (u. 1)	OBSOLETO
	TUBO ESCAPE EC-2008 BE850002508 (u. 1)	
6	ESCAPE+CATALIZADOR EC250-2006 H. BE250626001H (u. 1)	OBSOLETO
	ESCAPE+CATALIZADOR EC 125-2006 BE120626001H (u. 1)	OBSOLETO
	ESCAPE EC125-2002 SM BE120226001SM (u. 1)	OBSOLETO
	TUBO ESCAPE HOMOL.EC125-2008 BE85000H1208 (u. 1)	
	ESCAPE+CATALIZADOR EC250-2006 H. BE250626001H (u. 1)	OBSOLETO
	TUBO ESCAPE EC125-2009 BE850001209 (u. 1)	
	TUBO ESCAPE ENDURO 250-2003 SUPERMOTARD BC250226001SM (u. 1)	OBSOLETO
	ESCAPE EC125-2002 SM BE120226001SM (u. 1)	OBSOLETO
	ESCAPE+CATALIZADOR EC 125-2006 BE120626001H (u. 1)	OBSOLETO
	TUBO ESCAPE EC125-2003 BE120326001 (u. 1)	OBSOLETO
	TUBO ESCAPE EC-2008 BE850002508 (u. 1)	
	TUBO ESCAPE EC250-2003 BE250326001 (u. 1)	OBSOLETO
6	TUBO ESCAPE EC125-2009 BE850001209 (u. 1)	
	TUBO ESCAPE CR250-2003 BC250326001 (u. 1)	OBSOLETO
	ESCAPE EC125-2002 SM BE120226001SM (u. 1)	OBSOLETO
	TUBO ESCAPE ENDURO 250-2003 SUPERMOTARD BC250226001SM (u. 1)	OBSOLETO
7	SILENBLOC ESCAPE 10942 BE25626004 (u. 1)	
	BRIDA UNEX 2244 16/102 4.8X36 BE25634007 (u. 1)	OBSOLETO
8	ABRAZADERA INSTALACION 0/000.680.0060 (u. 1)	
	BRIDA UNEX NYLON 2244 16/102 4.8X36 0/000.660.9104 (u. 1)	

	JUNTA ESCAPE DE SILIC.ST.3223 BE12626003 (u. 1) - 125	
9	JUNTA ESCAPE 250 SILIC.5916 0/000.490.9103 (u. 1)	
	JUNTA ESCAPE 250 SILIC.5916 BE25626003 (u. 1)	OBSOLETO
10	MUELLE ESCAPE BE25610042 (u. 1)	OBSOLETO
	MUELLE ESCAPE EC 0/000.470.9106 (u. 1)	
	MUELLE ESCAPE EC BE86050GG-EKF-1 (u. 1)	OBSOLETO
11	TORICA TUBERA ESCAPE 44X3 FP (viton) BE250526006 (u. 1)	
12	TUBERA ESCAPE INOX.EC125-2003 ME120316019 (u. 1) - 125	
	TUBERA ESCAPE 2005 ME250516019 (u. 1)	
13	SILENC.CROSS 250-2007 BC250726002 (u. 1)	OBSOLETO
	SILENC.FINAL EC250-2003 BE250326002 (u. 1)	OBSOLETO
	SILENC.FINAL HOMOLOGACIO EC125-2006 BE120626002H (u. 1)	OBSOLETO
	SILENC.HOMOL.EC125-2007 BE120726002H (u. 1)	
	SILENC.CROSS 125-2007 BC120726002 (u. 1)	OBSOLETO
14	TUERCA AUTOBLOC.DIN-6926 M-6 C/ARAND ZN T2206002 (u. 1)	OBSOLETO
	TUERCA AUTOBLOC. M-6 C/ARAND DIN-6926 ZINC 0/000.340.9117 (u. 1)	
15	SILENBLOCK SILENCIADOR EC-2000 BE250026005 (u. 1)	
16	CASQ.SILENBLOCK SILENCIADOR ALUM. BE250026000 (u. 1)	
17	ALLEN 6x30 12.9 T0306030 (u. 1)	
18	CAZOLETA FINAL SILENC.PULIDA TT125 BE120326120 (u. 1)	OBSOLETO
	TAPA SILENC. BE250326120 (u. 1)	
19	REMACHE D.4x10 ALUMINI SILENC.EC-2000 BE250026032 (u. 1)	OBSOLETO
20	EXAG+ARANDELA 6x14 DIN 6921 0/000.460.9118 (u. 1)	
	EXAG.6x14+ARANDELA INCORP. T0206014 (u. 1)	OBSOLETO
21	TUERCA NUT 956 RAPIDA M-6 HRc 40/48 0/000.340.9120 (u. 1)	
	TUERCA NUT 956 M-6 HRC 40/48 T2606000 (u. 1)	OBSOLETO
22	TORN.ESP.6X16 DIN 6921 ZINC.10.9 0/000.460.9119 (u. 1)	
	TORN.ESP.6X16 10.9 ZINC. T0206016 (u. 1)	OBSOLETO

23	ALLEN 6X50 DIN 912 12.9 COMPLETAMENTE ROSCADO GEOMET T0306050 (u. 1)	OBSOLETO
24	CTO.CAZOLETA INTERIOR EC250-2001 BE250126100 (u. 1)	OBSOLETO
	CAZOLETA INTERIOR SILENCIOSO 125TT BE120326100 (u. 1)	OBSOLETO
25	CATALYST EC125 BE120126250 (u. 1)	OBSOLETO

Adhesivos EC-MC



CONJ.ADH.S 300CC 2006
BE300638000 (u. 1) - AZUL

CONJ.ADH.S MC 2006 125CC
BC120638000 (u. 1)

OBSOLETO

CONJ.ADH.S 250CC 2006
BE250638000 (u. 1) - ROJO

1

CONJ.ADH.S MC 2006
BC250638000 (u. 1)

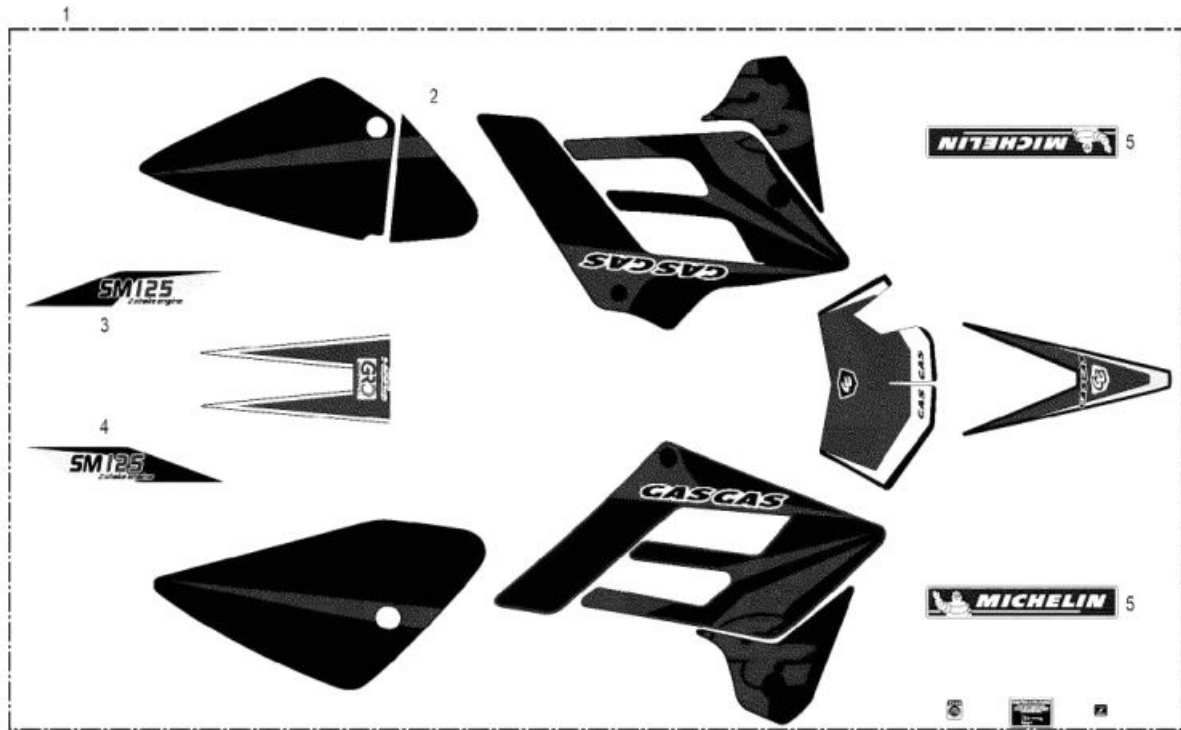
OBSOLETO

CONJ.ADH.S 125CC 2006
BE120638000 (u. 1) - AMARILLO

CONJ.ADH.S 250CC 2006 AZ.
BE250638000AZ (u. 1) - AZUL

	ADH.BASCUL.DCH.EC125-2006 BE120638005 (u. 1) - <i>AMARILLO</i>	
	ADH.BASCUL.IZQ.EC200-2006 BE200638006 (u. 1)	OBSOLETO
	ADH.BASCUL.DCH.EC300-2006 BE300638005 (u. 1) - <i>AZUL</i>	
	ADH.BASCUL.DCH.CROSS125-2006 BC120638005 (u. 1) - <i>AMARILLO</i>	
	ADH.BASCUL.IZQ.EC300-2006 BE300638006 (u. 1) - <i>AZUL</i>	
	ADH.BASCUL.IZQ.EC125-2006 BE120638006 (u. 1) - <i>AMARILLO</i>	
	ADH.BASCUL.DCH.AZ.EC250-2006 BE250638005AZ (u. 1) - <i>AZUL</i>	
	ADH.BASCUL.DCH.EC250-2006 BE250638005 (u. 1)	OBSOLETO
2	ADH.BASCUL.DCH.CROSS250-2006 BC250638005 (u. 1)	OBSOLETO
	ADH.BASCUL.DCH.EC200-2006 BE200638005 (u. 1)	OBSOLETO
	ADH.BASCUL.CROSS IZQ.125-2006 BC120638006 (u. 1) - <i>AMARILLO</i>	
	ADH.BASCUL.EC-2011 BE955002511 (u. 1)	
	ADH.BASCUL.DCH.EC200-2007 BE200738005 (u. 1)	
	ADH.BASCUL.IZQ.EC200-2007 BE200738006 (u. 1)	
	ADH.BASCUL.IZQ.AZ.EC250-2006 BE250638006AZ (u. 1) - <i>AZUL</i>	
	ADH.BASCUL.IZQ.EC250-2006 BE250638006 (u. 1)	OBSOLETO
	ADH.BASCUL.IZQ.CROSS 250-2006 BC250638006 (u. 1) - <i>ROJO</i>	
	ADH.T.FILTRO.EC 2006 ROJA BE250638049 (u. 1)	OBSOLETO
5	ADH.T.FILTRO.EC 2006 AMARILLO BE120638049 (u. 1)	OBSOLETO
	ADH.T.FILTRO.EC2006 AZ. BE300638049 (u. 1)	OBSOLETO
11	ADH.CDI CU7460 PU000538001 (u. 1)	OBSOLETO

Adhesivos SM



2 ADH.T.FILTRO.FSE450-2006 SUPERMOTARD
BFS450638049SM (u. 1) - 250

3 ADH.BASCUL.IZQ.EC125-2006 SUPERMOTARD
BE120638006SM (u. 1) - 125

ADH.BASCUL.IZQ.EC250-2006 SUPERMOTARD
BE250638006SM (u. 1) - 250

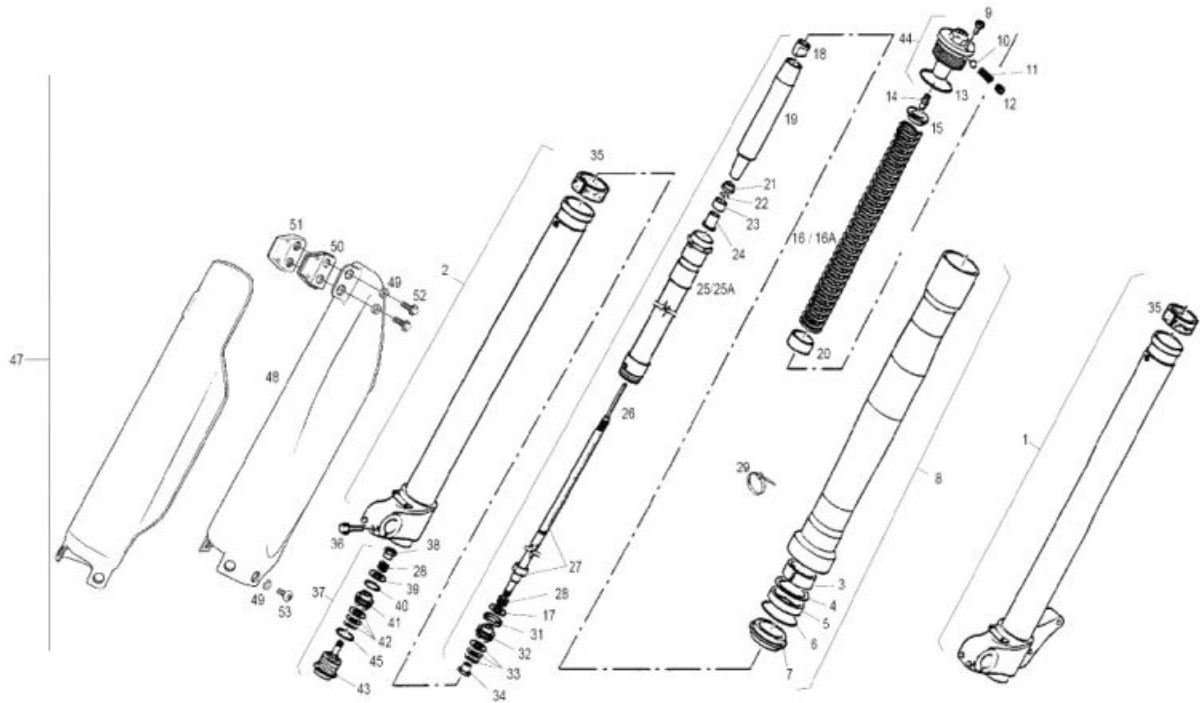
4 ADH.BASCUL.DCH.EC125-2006 SUPERMOTARD
BE120638005SM (u. 1) - 125

ADH.BASCUL.DCH.EC250-2006 SUPERMOTARD
BE250638005SM (u. 1) - 250

5 ADH.MICHELIN
PU000238006 (u. 1)

OBSOLETO

Horquilla delantera Marzocchi EC-SM

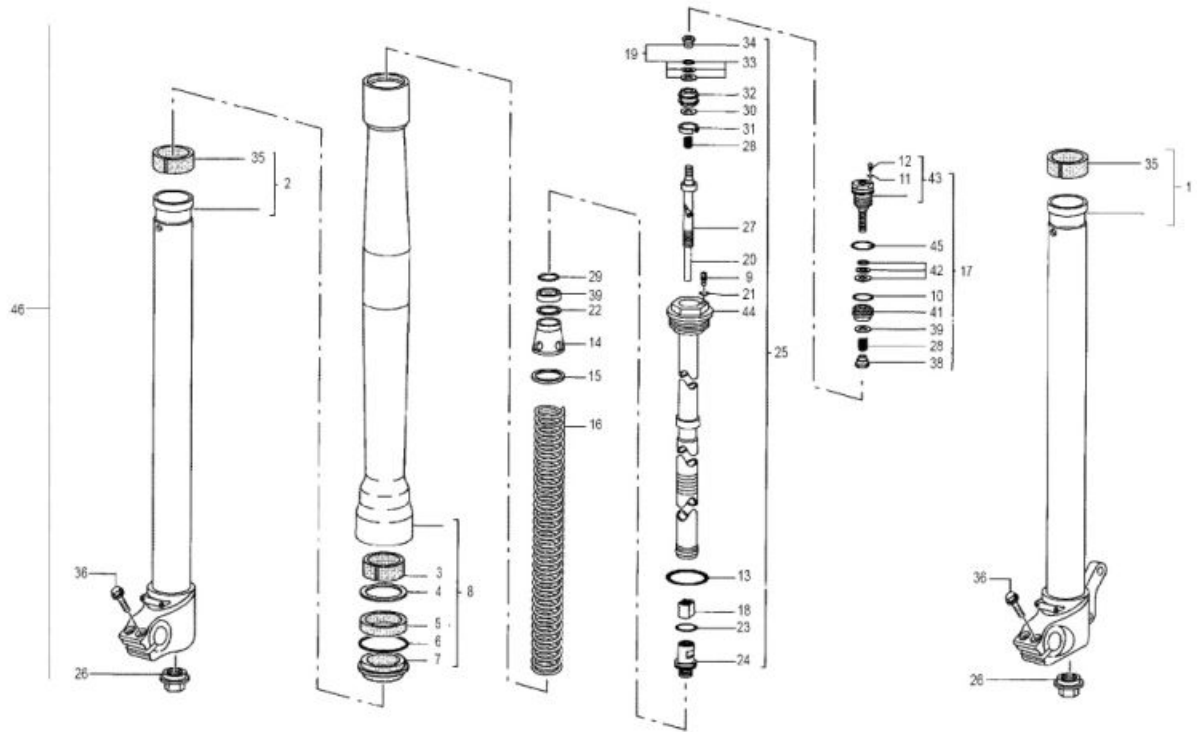


1	BASE+BARRA IZQ.819191/C BE250414143 (u. 1)	
2	BASE+BARRA DCH.819190/C BE250414142 (u. 1)	
3	GLACIER BOTELLA 538103 50x45x15 BE250314131 (u. 1)	
4	CLOSE RING BE250114133 (u. 1)	OBSOLETO
5	SUSPENSION SEAL C240701 (u. 1)	OBSOLETO
6	ANILLO DE CIERRE BE25714132 (u. 1)	OBSOLETO
7	GUARDAPOLVO D.45 58.4 4.6 14 BE25714131 (u. 1)	
8	BOTELLA SUS.760086LA/C 2005 BE250514110 (u. 1)	
	BOTELLA SUSP.CION 760086IA/C BE250314110 (u. 1) - SM	
9	BOLT AND OÆRING BE25714103 (u. 1)	OBSOLETO
10	BOLA REGUL.525007 BE250114225 (u. 1)	OBSOLETO
11	MUELLE TAP.REGUL.5141027 BE250114226 (u. 1)	OBSOLETO
12	TORN.PEQUEÑO TAP.REGUL.520220AA BE250114227 (u. 1)	OBSOLETO
13	TORICA TAP.REGUL. BE250114104 (u. 1)	OBSOLETO
14	REGULATION BUSHING BE250114112 (u. 1)	OBSOLETO

15	CASQ.GUIA MUELLE 536071 BE250114107 (u. 1)	
16	KIT MUELLE Y CASQ.850285 40 BE250114228 (u. 1) - 125,200	
	MUELLE K=4,2 - 5141146/1 BE250114268 (u. 1)	
16	MUELLE K=4,2 - 5141146/1 BE250114268 (u. 1)	
17	JUNTA 23X8.1X0.3 C72 BLU BE250114245 (u. 1)	OBSOLETO
18	TUERCA BLOQUEADOR M12X25 521119KM BE250114242 (u. 1)	OBSOLETO
20	FRE BE120514109 (u. 1) - 125	
	TOPE PRECARGA 5181393 BE250514109 (u. 1)	
21	TOPE DE FONDO 521164 BE250114230 (u. 1)	OBSOLETO
22	ANILLO RETENCION 523218 BE250114231 (u. 1)	OBSOLETO
24	TOPE FONDO USD D45 532911 BE250114233 (u. 1)	OBSOLETO
26	VARILLA INTERNA 556492 BE250114234 (u. 1)	
27	CTO.HIDRAULICO 8031331 BE250514116 (u. 1)	
	CTO.VARILLA 309644CH/R BE250114116 (u. 1)	OBSOLETO
28	MUELLE 5141087 BE250114118 (u. 1)	OBSOLETO
29	ABRAZADERA INSTALACION 0/000.680.0060 (u. 1)	
	BRIDA UNEX 2244 16/102 4.8X36 BE25634007 (u. 1)	OBSOLETO
	BRIDA UNEX NYLON 2244 16/102 4.8X36 0/000.660.9104 (u. 1)	
31	PISTON SEGMENT BE250114120 (u. 1)	OBSOLETO
33	ARANDELA SUSP.15X8.1X0.1 BE250114238 (u. 1)	OBSOLETO
	ARANDELA SUSP.19X8.1X0.1 BE250114239 (u. 1)	OBSOLETO
	ARANDELA SUSP.21X8.1X0.1 BE250114241 (u. 1)	OBSOLETO
	ARANDELA SUSP.17X8.1X0.1 BE250114240 (u. 1)	OBSOLETO
34	VALV.BASE 521092/D BE250114126 (u. 1)	OBSOLETO
35	CASQ.INT.BOTELLA 538095 BE250114128 (u. 1)	
36	TORN.ESP.M6x30 T0206030 (u. 1)	OBSOLETO
	TORN.6X30 520339AR>A BE250114144 (u. 1)	OBSOLETO
	TORN.ESP.M6x30 DIN 6921 GEOMET 0/000.460.9123 (u. 1)	

37	GRUPO AMORT.717090/R BE250514124 (u. 1)	OBSOLETO
38	CASQ.M6X0.75 BE250114244 (u. 1)	OBSOLETO
39	JUNTA 23X8.1X0.3 C72 BLU BE250114245 (u. 1)	OBSOLETO
40	TORICA 2087 D21.95 S1.78 BE250114246 (u. 1)	OBSOLETO
42	JUNTA 15X8.1X0.1 517080 BE250114248 (u. 1)	OBSOLETO
43	ADJUSTING VALVE BE250514249 (u. 1)	OBSOLETO
	ADJUSTING VALVE BE250114249 (u. 1)	OBSOLETO
44	CTO.TAP.REGUL.701166/R BE250114105 (u. 1)	OBSOLETO
45	TORICA 2100 D25.1 S1.78 528152 BE250114250 (u. 1)	
47	SUSP.MARZ.EC 125-2005 (131731) BE120514000MZ (u. 1) - 125,200	
	SUSP.DEL.INV.MARZOCCHI 45 REF.131682 BE250114000 (u. 1) - SM	
	SUSP.DEL.2005 MARZ.(131732) BE250514000MZ (u. 1)	
48	JUEGO PROT.HORQ.SM BE250114040SM (u. 1)	OBSOLETO
	JUEGO PROT.HORQ.ROJO BC250514040 (u. 1)	OBSOLETO
	JUEGO PROT.HORQ.NG. BC250114040 (u. 1)	
	JUEGO PROT.HORQUILLO AZ. BC300514040 (u. 1)	OBSOLETO
	JUEGO PROT.HORQ.AMARILLO BC120514040 (u. 1)	OBSOLETO
49	CASQUILLO PROTECTOR SUSPENSION INVERTIDA BC250014050 (u. 1)	OBSOLETO
50	Clamp, Frt. Brake Hose (MC) BC250014155 (u. 1)	OBSOLETO
51	FIJ.LATIGUILLO CROSS+TUERCAS BC250014156 (u. 1)	OBSOLETO
52	TORN.ESP.6X16 10.9 ZINC. T0206016 (u. 1)	OBSOLETO
	TORN.ESP.6X16 DIN 6921 ZINC.10.9 0/000.460.9119 (u. 1)	
53	TORN.6X12 HUELLA TORX ESP.ZI T0316012 (u. 1)	OBSOLETO
	ALLEN 6X12 T0306012 (u. 1)	OBSOLETO
	TORN.ESP.+ARAND.5x15 DIN 6921 GEOMET 10.9 0/000.460.9115 (u. 1)	

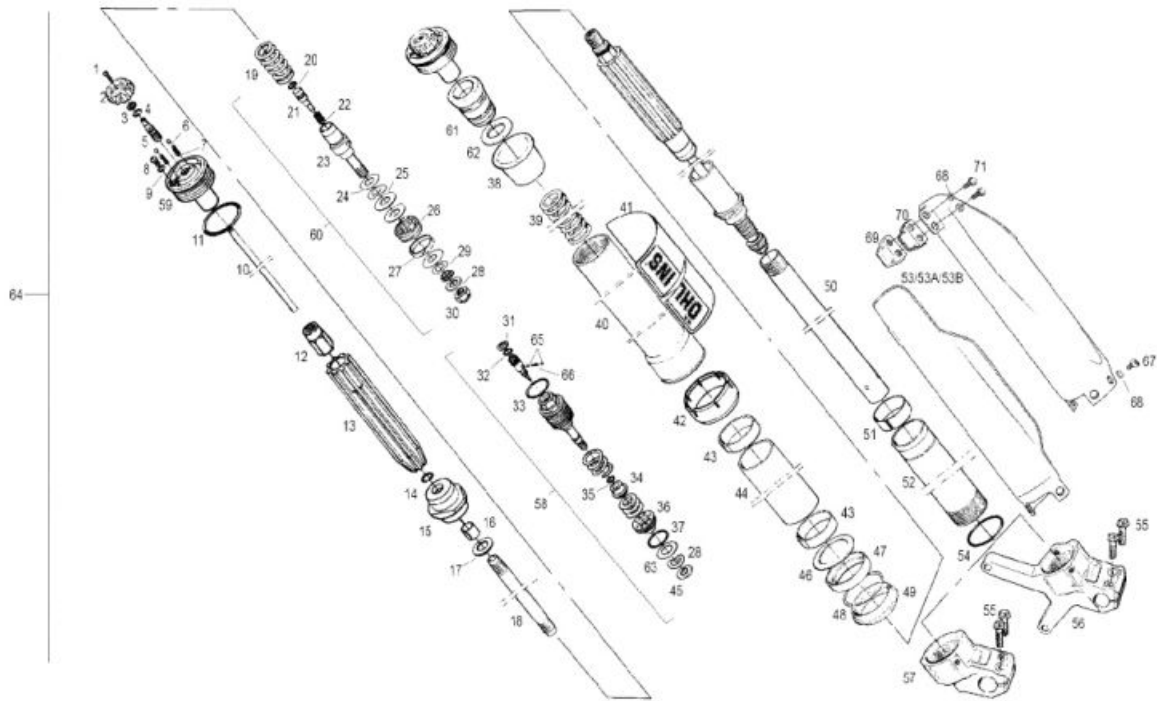
Horquilla delantera Marzocchi MC250



3	GLACIER BOTELLA D.50 538078>A S700761 (u. 1)	
5	SUSPENSION SEAL BC250414212 (u. 1)	OBSOLETO
7	GUARDAPOLVO SUSP.MAGNUM 50 533279 G280701 (u. 1)	OBSOLETO
	GUARDAPOLVO 50 533279 BC250414131 (u. 1)	
8	BOTELLA SUSP.CION 50 760062SL/C BC250514110 (u. 1)	OBSOLETO
9	ULS 6x8 ISO 7380-1 ZINC 12.9 T0506008 (u. 1)	
	TORN.4X6 520323 BC250414103 (u. 1)	OBSOLETO
10	TORICA 2087 D21.95 S1.78 BE250114246 (u. 1)	OBSOLETO
11	TORICA 2007 (D1.78 C1.78) 528213 BC250414104 (u. 1)	
13	TORICA 2007 (D1.78 C1.78) 528213 BC250414104 (u. 1)	
26	TUERCA INF.521168CH BC250414314 (u. 1)	OBSOLETO
28	MUELLE 5141087 BE250114118 (u. 1)	OBSOLETO
31	PISTON SEGMENT BE250114120 (u. 1)	OBSOLETO
33	JUNTA 15X8.1X0.1 517080 BE250114248 (u. 1)	OBSOLETO
	ARANDELA SUSP.21X8.1X0.1 BE250114241 (u. 1)	OBSOLETO

34	VALV.BASE 521092/D BE250114126 (u. 1)	OBSOLETO
36	CONJ.HIDRAULICO C/E 5181070/R BC250414114 (u. 1)	OBSOLETO
39	CASQ.M6X0.75 BE250114244 (u. 1)	OBSOLETO
43	VALV.REGUL.532938/R BC250414115 (u. 1)	OBSOLETO
44	CONJ.HIDRAULICO C/E 5181070/R BC250414114 (u. 1)	OBSOLETO
46	SUSP.DIAM.50 MARZOCCHI REF 131702 BC250414000MZ (u. 1)	OBSOLETO
	SUSP.DEL.CROSS 250-2007 (131858) BC250714000MZ (u. 1)	

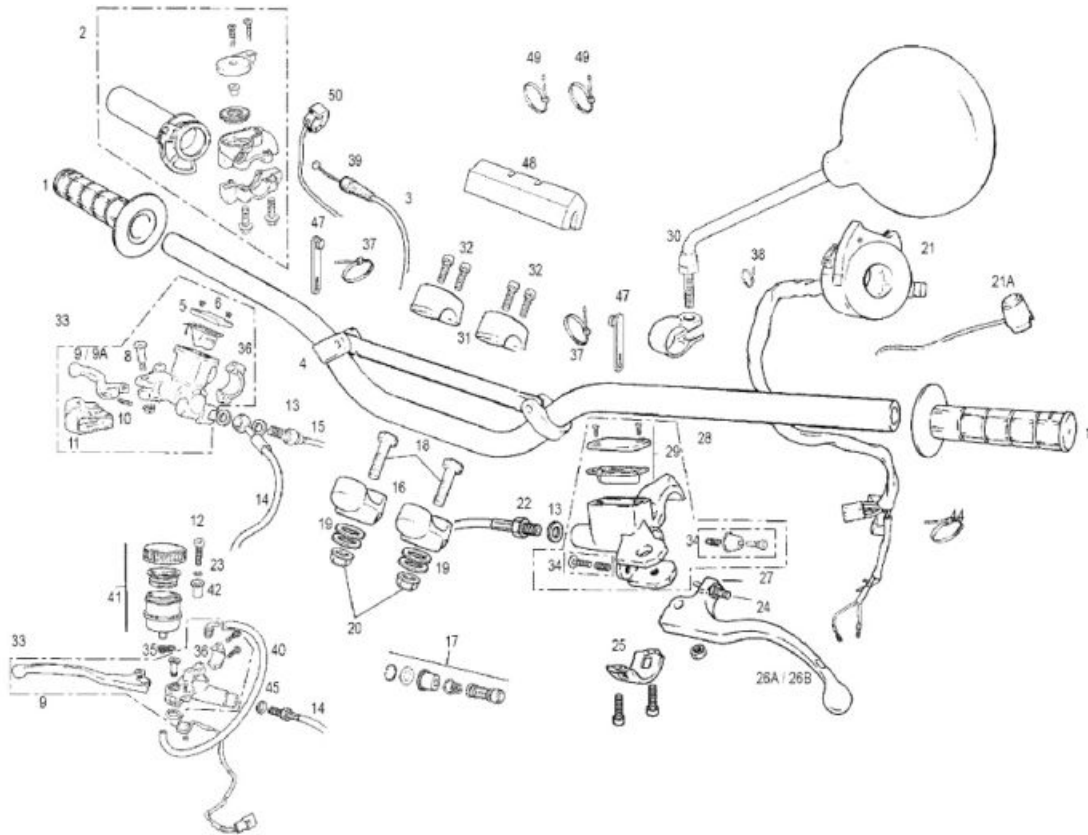
Horquilla delantera Ohlins



2	RODILLO REGUL.OHLINS 00820-01 BE2503141010H (u. 1)	OBSOLETO
9	TORICA SUSP.CION OHLINS 00438-17 BE2501141040H (u. 1)	OBSOLETO
42	PROT.GUARDAPOLVO 02409-01 BE2503141820H (u. 1)	
43	TUBE BUSHING 0242702 BE2504141340H (u. 1)	OBSOLETO
47	RETEN 48mm 02411-05 BE2504142120H (u. 1)	OBSOLETO
	RETEN SUSP.EC-2009 000PA050179 BE203702509 (u. 1)	
48	CLIP RETEN OHLINS 02015-01 BE2501141320H (u. 1)	OBSOLETO
49	GUARDAPOLVO 02411-05 BE2504141310H (u. 1)	OBSOLETO
51	GLACIER BARRA 48/52/24 02547-01 BE2504141110H (u. 1)	OBSOLETO
53	JUEGO PROT.HORQ.AMARILLO BC120514040 (u. 1)	OBSOLETO
	JUEGO PROT.HORQ.NG. BC250114040 (u. 1)	
53_	JUEGO PROT.HORQ.AMARILLO BC120514040 (u. 1)	OBSOLETO
	JUEGO PROT.HORQ.NG. BC250114040 (u. 1)	
55	TORN.BASE HORQ.02314-02 BE2501142090H (u. 1)	OBSOLETO
56	BASE IZQ.OHLINS 02372-27 BE2504141430H (u. 1)	OBSOLETO

57	BASE DERECHA OHLINS 02372-28 BE250414142OH (u. 1)	OBSOLETO
64	SUSP.DEL.INV.OHLINS2004(FGGG 4120) BE250414000OH (u. 1)	OBSOLETO
67	TORN.ESP.+ARAND.5x15 DIN 6921 GEOMET 10.9 0/000.460.9115 (u. 1)	OBSOLETO
	ALLEN 6X12 T0306012 (u. 1)	
68	TORN.6X12 HUELLA TORX ESP.ZI T0316012 (u. 1)	OBSOLETO
	CASQUILLO PROTECTOR SUSPENSION INVERTIDA BC250014050 (u. 1)	
69	Clamp, Frt. Brake Hose (MC) BC250014155 (u. 1)	OBSOLETO
70	FIJ.LATIGUILLO CROSS+TUERCAS BC250014156 (u. 1)	OBSOLETO
71	TORN.ESP.6X16 DIN 6921 ZINC.10.9 0/000.460.9119 (u. 1)	OBSOLETO
	TORN.ESP.6X16 10.9 ZINC. T0206016 (u. 1)	

Manillar - mandos



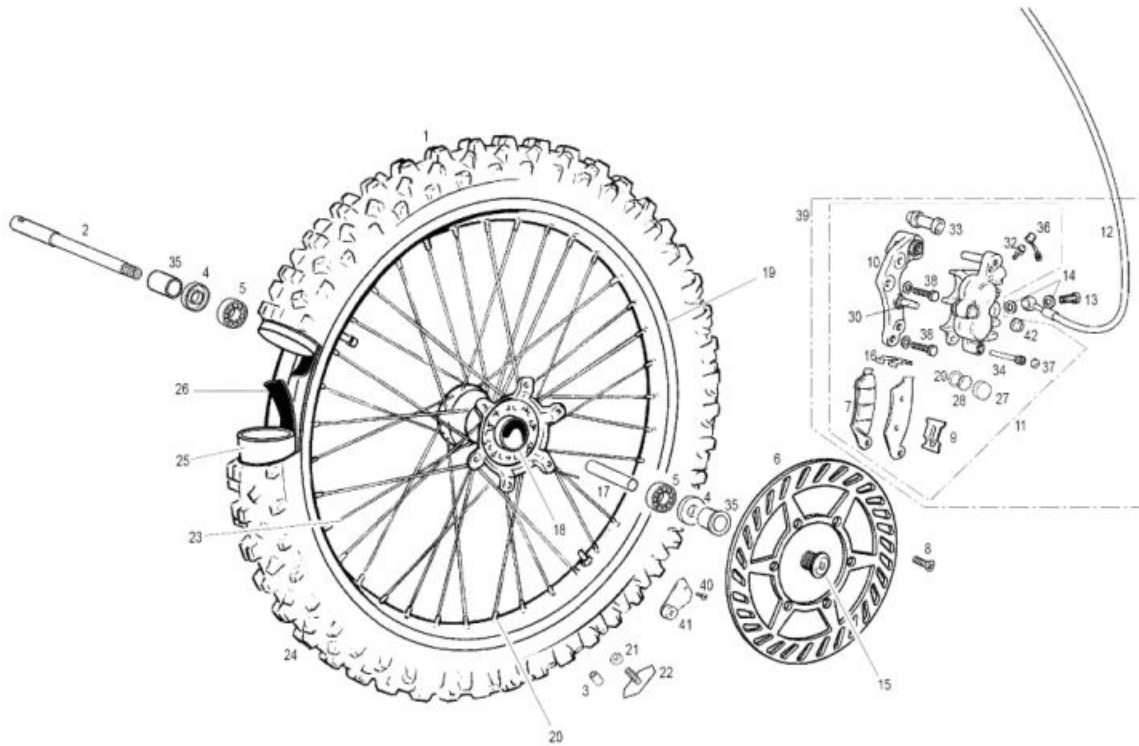
	JUEGO EMPUÑADURAS EC250-2002 HP2150301G BE250236002 (u. 1)	OBSOLETO
1	JUEGO EMPUÑADURA EC 2016 NEGRO 0/000.530.9102 (u. 1)	
	JUEGO EMPUÑADURA EC 2016 NEGRO BE26100GG-EKF-1 (u. 1)	OBSOLETO
2	PUÑO GAS TT (3291.03.00-1) 0/000.530.9100 (u. 1)	
	PUÑO GAS TT (3291.03.00-1) BE25724007 (u. 1)	OBSOLETO
3	CABLE GAS TT-97 BE25724008 (u. 1)	OBSOLETO
	CABLE DE GAS EC-2009 BE785002509 (u. 1)	
4	MANILLAR D.VAR.(53) HEBO (HR30009085G) BE250524001RC (u. 1)	OBSOLETO
	MANILLAR EC RACING 2014 MT339KP 0/000.170.9100 (u. 1)	
	MANILLAR EC2006 DIAM.VAR. BE250624001 (u. 1)	
	MANILLAR EC RACING 2014 MT339KP BE25000GG-CAB-1 (u. 1)	OBSOLETO
5	TAPA BOMBA 009-M91-099 BC25922210 (u. 1)	
6	TORN.TAPA BOMBA 049-Z02-064 BC25922217 (u. 1)	
7	GOMA ANTIESPUMANTE 003-M68-042 BC25922216 (u. 1)	
8	TORN.ESP.083-M87-012 BC25922212 (u. 1)	

	MANETA FRENO DEL.EC-250 003-M05-GAS CEX BC250022045 (u. 1)	OBSOLETO
9	MANETA FRENO TT250 2904 (3274) BC250022045R (u. 1)	
	MANETA DE FRENO S.M.110.2706.80 BE250122045SM (u. 1) - SM	
	MANETA DE FRENO S.M.110.2706.80 BE250122045SM (u. 1) - SM	
	MANETA FRENO TT250 2904 (3274) BC250022045R (u. 1)	
9_	MANETA FRENO DEL.EC-250 003-M05-GAS CEX BC250022045 (u. 1)	OBSOLETO
	MANETA DE FRENO S.M.110.2706.80 BE250122045SM (u. 1) - SM	
	MANETA FRENO DEL.EC-250 003-M05-GAS CEX BC250022045 (u. 1)	OBSOLETO
10	TENSOR MANETA NISSIN 003-M84-107 BC25922218 (u. 1)	
11	GUARDAPOLVO BC25922213 (u. 1)	
12	ALLEN 6X35 12.9 T0306035 (u. 1) - SM	
13	ARANDELA LATIGUILLO 10X14X1 BE25622007 (u. 1)	
	LATIGUILLO FRENO DEL.SM 4T 2007 BFS450722002SM (u. 1)	
14	LATIGUILLO FRENO DEL.740 (SM 2005) BE250522002SM (u. 1)	OBSOLETO
	LATIGUILLO FRENO DEL.EC-2004- 740 746112 BE250422002 (u. 1)	
	RACORD SUJ.LATIGUILLO 10X1,25(9257) BC25722006 (u. 1) - MC	
15	INTERRUPTOR 23-016/1 STOP BOMBA NISSIN 3 0/000.720.9104 (u. 1)	
	INTERRUPTOR 23-016/1 STOP BOMBA NISSIN 3 BE250334003 (u. 1)	OBSOLETO
	BRIDA SUJ.MANILLAR INF.VAR.2006 BE250614013 (u. 1)	
16	CTO.SOP.S MANILL.DIAM.VARIA.HEBO(HR30009 BE250514012RC (u. 1)	OBSOLETO
17	KIT PISTON FRENO A 113-MK1-GAS BC25922219 (u. 1)	
	TORN.ESP.10X45 BRIDA INF. G5 12.9 0/000.460.9113 (u. 1)	
18	TORN.ESP.10X45 BRIDA INF. T0201045 (u. 1)	OBSOLETO
19	DIST.BRIDA INF.MANILLAR EC2003 BE250314035 (u. 1)	
	TUERCA CIL.8.8 ESP.10/150 C13 =ME2561603 M01613001 (u. 1)	OBSOLETO
20	TUERCA DIN 6923 ZINC 8.8 ESP.10/150 C13 0/000.340.9105 (u. 1)	
	CONMUTADOR LUZ HALOGENA EC 2005 BE250534001 (u. 1)	
21_	BOTON DE PARO KE9B CEX BC250334055 (u. 1) - MC	

21	CONMUTADOR LUZ HALOGENA EC 2005 BE250534001 (u. 1)	
22	LATIGUILLO EMBR.ENDURO (FK003CE021E) BE250522003 (u. 1)	
23	ARANDELA 6X18X1.5 (DIN 9021) T4006018 (u. 1)	OBSOLETO
	ARANDELA 6X18X1.5 DIN 9021 ZINC 0/000.440.9126 (u. 1)	
24	TORN.REGUL.MANETA BT27922046 (u. 1)	OBSOLETO
25	SOP.BOMBA EMBR. BE250022211 (u. 1)	OBSOLETO
26	Clutch Lever Medium Silver BT27922040 (u. 1)	OBSOLETO
	MANETA EMBR.PLATA 134.75.001C E200701 (u. 1)	
27	TUERCA M-6 BAJA DIN 936 T2006001 (u. 1)	
28	BOMBA EMBR.ACEITE 650.00.703C BE250522009 (u. 1)	
	CTO.BOMBA EMBR.+LEVA EC-2008 EURO 3 BE460002508 (u. 1)	
29	KIT TAPA EMBR.VERDE 180.00.109 BE250622210 (u. 1)	
	KIT TAPA BOMBA EMBR. BE250522210 (u. 1)	OBSOLETO
30	CTO.ESPEJO RETROVISOR(REG 81) BT29000GG-CKR-1 (u. 1)	OBSOLETO
	CTO.ESPEJO RETROVISOR(REG 81) 0/000.990.9100 (u. 1)	
	ESPEJO RETROVISOR(CEX) L300760 (u. 1)	
31	BRIDA SUJ.MANILLAR SUP.VAR.2006 BE250614012 (u. 1)	
32	TORN.ALLEN DIN-912 8X30 ZN CULATA T0308030 (u. 1)	
33	BOMBA FRENO DEL.NISSIN=BC25922008/2 0/000.820.9106 (u. 1)	
	BOMBA FRENO DEL.NISSIN=BC25922008/2 BC25922008 (u. 1)	OBSOLETO
	CTO.FRENO DEL.PURGADO SM 4T 2007 BFS450722108SM (u. 1)	OBSOLETO
	CTO.FRENO DEL.PURGADO EC 2005 SM BE250522108SM (u. 1)	OBSOLETO
	BOMBA FRENO AXIAL 13 R.10.5053.53 BE250122008SM (u. 1) - SM	
	CTO.FRENO DEL.PURGADO ENDURO 2004 BE250422108 (u. 1)	OBSOLETO
	BOMBA FRENO DEL.NISSIN=BC25922008 BC25922008/2 (u. 1)	
	CTO.FRENO DEL.PURGADO CROSS 2004 BC250422108 (u. 1)	OBSOLETO
	CTO.FRENO DEL.PURGADO ENDURO 2004 0/000.820.9107 (u. 1)	
34	KIT BOMBA FRENO DEL.Y EMB.97 150.00.595. BT27722208 (u. 1)	

35	ABRAZ.ALAMBRE 10.4x11 SUJ.TUBO PLATA 020 BT27710120 (u. 1)	OBSOLETO
36	BRIDA BC25922211 (u. 1)	OBSOLETO
	SOP.MANETA FRENO R361700 (u. 1)	
37	ABRAZADERA INSTALACION 0/000.680.0060 (u. 1)	OBSOLETO
	BRIDA UNEX NYLON 2244 4.8X20 0/000.660.9105 (u. 1)	
	BRIDA UNEX 2244 4.8X20 BE25634009 (u. 1)	
38	BRIDA UNEX NYLON CORTA 2221-0 2.5X98 =P380003 0/000.660.9106 (u. 1)	OBSOLETO
	BRIDA nylon CORTA 2221-0 2.5X98 =P380003 BE25634010 (u. 1)	
	BRIDA 2,5x100 T18ROS-PA66HS-BK 0/000.680.0081 (u. 1)	
39	GUARDAPOLVO PUÑO GAS G600000 (u. 1)	
40	TUBO LIQUIDO FRENO A BOMBA DEL.20.5 CM BFS400310116SM (u. 1)	OBSOLETO
41	BRAKE FLUID TANK BE250110016SM (u. 1)	OBSOLETO
42	CASQ. SILENBLOCK SILENCIADOR ALUM. BE250026000 (u. 1) - SM	
44	BRIDA nylon CORTA 2221-0 2.5X98 =P380003 BE25634010 (u. 1)	OBSOLETO
	BRIDA UNEX NYLON CORTA 2221-0 2.5X98 =P380003 0/000.660.9106 (u. 1)	
	BRIDA 2,5x100 T18ROS-PA66HS-BK 0/000.680.0081 (u. 1)	
45	ARANDELA 10x14x2.3 LATIGUILLO EMBR. T4001014 (u. 1)	OBSOLETO
47	ABRAZADERA INSTALACION 0/000.680.0060 (u. 1)	OBSOLETO
	GOMA SUJ.CABLEADOS BFS450320067 (u. 1)	
	GOMA SUJ.CABLEADOS 0/000.360.9110 (u. 1)	
48	PROTECC.MANILLAR EC2006 BE250624004 (u. 1)	OBSOLETO
	PROT.MANILLAR EC-2007(CEX) BE250724004 (u. 1)	
49	BRIDA UNEX NYLON 2244 16/102 4.8X36 0/000.660.9104 (u. 1)	OBSOLETO
	BRIDA UNEX 2244 16/102 4.8X36 BE25634007 (u. 1)	
	ABRAZADERA INSTALACION 0/000.680.0060 (u. 1)	
50	INTERRUPTOR CDI 120 CM EC2006 BE250634007 (u. 1)	

Rueda delantera EC-MC



	<p>RUEDA DEL.CROSS 250-2004 BC250418000 (u. 1)</p>	OBSOLETO
1	<p>RUEDA DEL.EC250-2005 CUBO(334.00220C) BE250518000 (u. 1)</p>	OBSOLETO
	<p>CTO.RUEDA DEL.EC-2009 BE50000CT2509 (u. 1)</p>	OBSOLETO
2	<p>CTO.EJE RUEDA DEL.+TORN. BC250418017CT (u. 1)</p> <p>EJE RUEDA DEL.CROSS 2004 BC250418017 (u. 1)</p>	OBSOLETO
3	<p>CASQ.AGARRE CUBIERTA EC-2010 8X12X12 0/000.480.9112 (u. 1)</p> <p>CASQ.AGARRE CUBIERTA 490.80.500A BE250518048 (u. 1)</p> <p>CASQ.AGARRE CUBIERTA EC-2010 8X12X12 BE555102510 (u. 1)</p>	OBSOLETO
4	<p>RETEN CUBO DEL.390.99.59-30X42X7 BE250418057 (u. 1)</p>	
5	<p>RODAM.61905 2RS1 ME120136055 (u. 1)</p>	
6	<p>DISCO FRENO DELANTERO ENDURO 2018 260mm 0/001.090.9105 (u. 1)</p> <p>FRONT BRAKE DISK WAVE GALFER 0913 BE520002509 (u. 1)</p> <p>DISCO FRENO DELANTERO ENDURO 2018 BE52000GG-CLJ-1 (u. 1)</p> <p>D.FRENO.DEL.NG 731 EC250-2002 BE250222011 (u. 1)</p>	OBSOLETO

	JUEGO P.FRENO.DEL.PM375 B BE250022065 (u. 1)	OBSOLETO
7	KIT PASTILLAS DEL.EC 002-C94-540 CEX BE620652508 (u. 1)	
	KIT PASTILLAS DEL.FD164 G1396 SINTER BE620652508/1 (u. 1)	
	JUEGO PAST.NISSIN PAD SET CP2K1 GAS BC250022065 (u. 1)	OBSOLETO
8	TORN.ESP.6X16 DIN 6921 ZINC.10.9 0/000.460.9119 (u. 1)	
	Hex Bolt 6x16 T0106016 (u. 1)	OBSOLETO
	TORN.ESP.6X16 10.9 ZINC. T0206016 (u. 1)	OBSOLETO
9	PLATINA (A) SUJ.PAST.DEL.002-C80-014 BE250022063 (u. 1)	OBSOLETO
	PLATINA SUJ.PASTILLAS EC 002-C30-110 BE620112508 (u. 1)	
10	SOP.PINZA DEL.EC 002-C08-225 BE620102508 (u. 1)	
	SOP.PINZA DEL.EC-2000 BE250022110 (u. 1)	OBSOLETO
11	PINZA FRENO DEL+SOP.EC-2003 BE250322000 (u. 1)	
12	LATIGUILLO FRENO DEL.EC-2004- 740 746112 BE250422002 (u. 1)	
13	RACORD SUJ.LATIGUILLO 10X1,25(9257) BC25722006 (u. 1)	
14	ARANDELA LATIGUILLO 10X14X1 BE25622007 (u. 1)	
15	TORN.EJE RUEDA DEL.2004 BE250418026 (u. 1)	
16	PLATINA SUJ.PASTILLAS 002-C80-014 BE620122508 (u. 1)	
	PLATINA (B) SUJ.PASTILLAS DEL.002-C30-11 BE250022064 (u. 1)	OBSOLETO
17	CASQ.SEP.CUBO DEL.390.80.234 BE250418058 (u. 1)	
18	CUBO RUEDA DEL.25mm 334.00.220c BE250418007 (u. 1)	
19	LLANTA 1.60X21 EXCEL SILVER 53504 BE25618006 (u. 1)	OBSOLETO
	LLANTA DEL.V TYPE 21X1.60 ENDURO BE250518006 (u. 1)	
20	TUERCA RADIO DEL. BE250218010 (u. 1)	OBSOLETO
	KIT RADIO Y TUERCA RUEDA DELANTERA MOD. 2002-2013 BE542002508 (u. 1)	
21	TUERCA AUTOBL.M-8 BAJA DIN 985 ZINC 0/000.340.9114 (u. 1)	
	TUERCA AUTOBLOCANTE M-8 BAJA DIN 985 ZINC. T2108001 (u. 1)	OBSOLETO
22	AGARRE CUBIERTA N1 =BE25618027 HR9010101 R120000 (u. 1)	OBSOLETO
	AGARRE CUBIERTA DEL.Nø1 TT-96 =R120000 H BE25618027 (u. 1)	

23	MRADIO DEL.243x3.5 BE250218009 (u. 1)	OBSOLETO
	KIT RADIO Y TUERCA RUEDA DELANTERA MOD. 2002-2013 BE542002508 (u. 1)	
24	NEUMATICO 90-90-21 CROSS M12 BC25718102 (u. 1) - MC	OBSOLETO
	NEUMATICO DEL.90/90-21 54R COMP.III BE25618102 (u. 1)	
25	CAMARA DELAN.21 ABR BE25618001 (u. 1)	OBSOLETO
	CAMARA DELANTERA 21MDR VALVE TR4 BE502002511 (u. 1)	OBSOLETO
	CAMARA DELANTERA 21MDR VALVE TR4 833092 0/000.520.9100 (u. 1)	
26	PROT.BANDA DEL.FLAP 1.60/1.85 X 21(1400X25) 949947 0/000.220.9108 (u. 1)	OBSOLETO
	PROTECTOR.BANDA DEL.FLAP 21 1.60/1.85 X 21 1400X25 (949947) BE25618028 (u. 1)	
	PROTECTOR BANDA DELANTERA FLAP 1.60/1.85 X 21(1400X25) BE503002511 (u. 1)	
27	PISTON COMPRESION PINZA DEL.272-C35-021 BE250022042 (u. 1)	
28	TORICA PISTON PINZA FRENO DEL. BE250022032 (u. 1)	
29	RETEN PINZA FRENO DEL.270-C43-100 BE250022033 (u. 1)	
30	TORN.CLAVIJA PINZA FRENO 082-C48-023 BE250022034 (u. 1)	
32	SANGRADOR NISSIN 079-Z50-001 BE250022060 (u. 1)	
33	PROTECC.TORN.002.C49.011 BE250022039 (u. 1)	OBSOLETO
	GUARDAPOLVO PINZA EC 002-C49-104 BE620692508 (u. 1)	
34	PASADOR PAS.PINZA F.DEL.002-C50-031 BE250022041 (u. 1)	
35	DIST.RUEDA DEL.2004 BC250418019 (u. 1)	OBSOLETO
	CASQUILLO RUEDA DELANTERA 0/000.480.9100 (u. 1)	
36	TAP.SANGRADOR NISSIN 009-Z51-015 BE250022055 (u. 1)	
37	PROTECC.PASADOR NISSIN 002-C51-012 BE250022095 (u. 1)	
38	TORN.ESP.8X30 T0228030 (u. 1)	OBSOLETO
	TORN.ESP.8X30 GEOMET 10.9 0/000.460.9138 (u. 1)	
	SPEZIAL SCREW 8X45 T0208030 (u. 1)	OBSOLETO
39	CTO.FRENO DEL.PURGADO ENDURO 2004 BE250422108 (u. 1)	OBSOLETO
	CTO.FRENO DEL.PURGADO ENDURO 2004 0/000.820.9107 (u. 1)	
41	CTO.PLATINA+IMAN CTA.KM BP120734008CT (u. 1)	

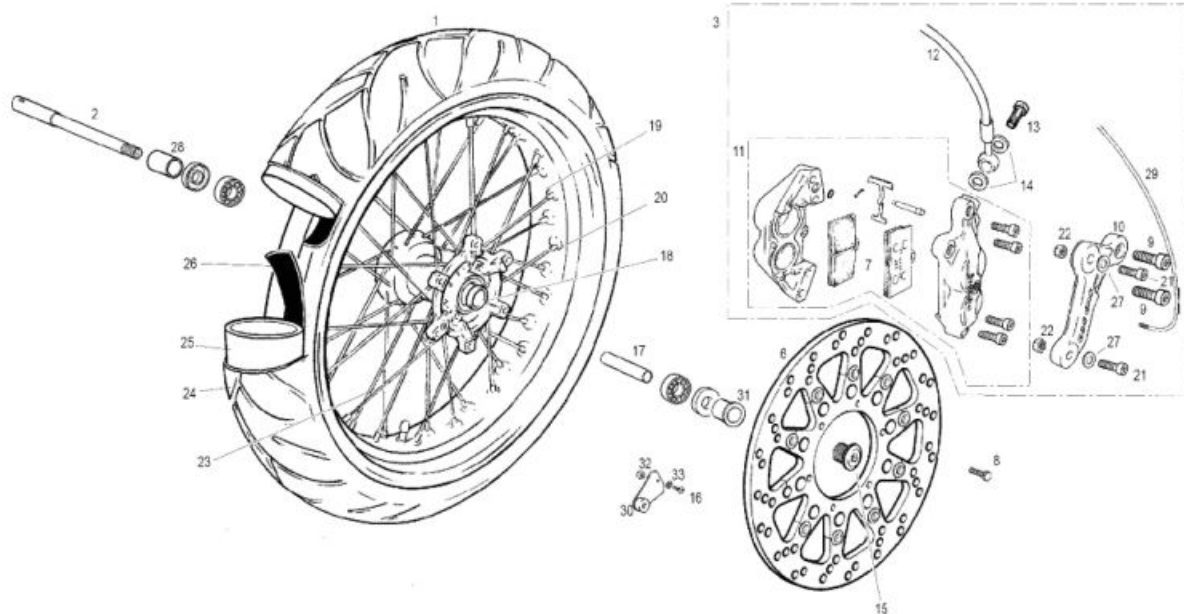
42

GUARDAPOLVO EC 002-C40-101
BE620682508 (u. 1)

GUARDAPOLVO NISSIN 002-C40-041
BE250022093 (u. 1)

OBSOLETO

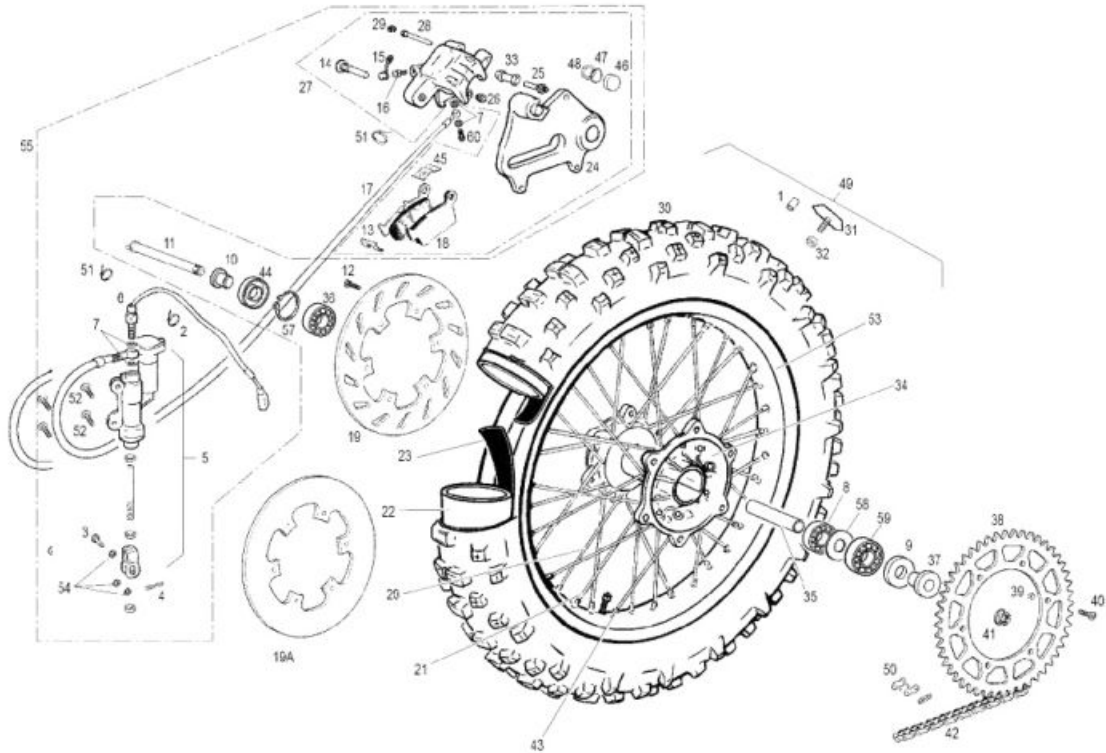
Rueda delantera SM



1	CTO.RUEDA DEL.SUPERMOTARD 2009 NG. BFS50000SMCT4509 (u. 1)	OBSOLETO
	RUEDA DEL.SUPERMOTARD 2005 BE250518000SM (u. 1)	OBSOLETO
2	EJE RUEDA DEL.CROSS BC250018017 (u. 1)	
3	CTO.FRENO DEL.PURGADO SM 4T 2007 BFS450722108SM (u. 1)	OBSOLETO
	CTO.FRENO DEL.PURGADO EC 2005 SM BE250522108SM (u. 1)	OBSOLETO
6	D.FRENO.DEL.SUPERMOTARD 022 BE250322011SM (u. 1)	
7	PASTILLAS DEL.SUPERMOTARD 107.4426.45 BE250122065SM (u. 1)	OBSOLETO
8	TORN.ESP.6x20 10.9 ZINC.(CEX) T0206020 (u. 1)	OBSOLETO
	TORN.ESP.6x20 DIN 6921 GEOMET 10.9 0/000.460.9120 (u. 1)	
9	ALLEN 10X25 DIN 912 T0310025 (u. 1)	
10	SOP.PINZA FRENO DEL.EC250 SM BE250122110SM (u. 1)	OBSOLETO
11	PINZA 4P 30/34 GOLD SX 20516558 BE250122000SM (u. 1)	OBSOLETO
12	LATIGUILLO FRENO DEL.740 (SM 2005) BE250522002SM (u. 1)	OBSOLETO
	LATIGUILLO FRENO DEL.SM 4T 2007 BFS450722002SM (u. 1)	

13	TOR.LAT.BOMBA FRENO TRAS.= BE25622006 R320000 (u. 1)	OBSOLETO
	RACOR LATIGUILLO FRENO TRASERO M10X1 BT280522006 (u. 1)	
14	ARANDELA PLANA COBRE 10.25X14X1.4 BT27922072 (u. 1)	
15	TORN.EJE RUEDA DEL.EC250-2002 BE250218026 (u. 1)	
16	TORN.METRICO 3X16 ZINC.REF:963 im n T0203016 (u. 1)	
17	DIST. R170700 (u. 1)	
18	CUBO RUEDA DEL.EC-2000 sep.int.aluminio BC250018007 (u. 1)	OBSOLETO
19	LLANTA DEL.3.5x17 EC250 SM BE250118006SM (u. 1)	OBSOLETO
20	TUERCA RADIOS M4 RUEDA TRAS.DIA.7 =R5000 BT27718016 (u. 1)	
21	ALLEN 8X35 CUBREDISCO T0308035 (u. 1)	
22	TUERCA AUTOBL + ARANDELA M8 ZINC 0/000.340.9119 (u. 1)	OBSOLETO
	TUERCA AUTOBL+ARANDELA M8 T2208002 (u. 1)	
23	RADIO DEL.185x3.5 INOX BE250118009SM (u. 1)	OBSOLETO
25	CAMARA DEL.EC250-2001 SUPERMOTARD BE250118001SM (u. 1)	
27	GUARNIZ. FISSAGGIO TELAIO PARTE POST. 0/000.440.0160 (u. 1)	OBSOLETO
	ARANDELA DE 8X16X1,5 T4008016 (u. 1)	
28	DIST.RUEDA DEL. BC250018019 (u. 1)	
29	CABLE MULTIFUNCION TT 2003 BE250334050 (u. 1)	OBSOLETO
30	IMAN 13 AG BE120134012 (u. 1)	
31	DIST.RUEDA DEL.LADO FRENO BC250018018 (u. 1)	OBSOLETO
32	TUERCA AUTOBL.M3 ZINCADA DIN 982 T2103002 (u. 1)	
33	ARANDELA PLANA 4X12X1 (DIN 9021) T4004012 (u. 1)	OBSOLETO
	ARANDELA PLANA 4X12X1 DIN 9021 ZN AG CR3 0/000.440.9119 (u. 1)	

Rueda trasera EC-MC



	CASQ.AGARRE CUBIERTA 490.80.500A BE250518048 (u. 1)	OBSOLETO
1	CASQ.AGARRE CUBIERTA EC-2010 8X12X12 0/000.480.9112 (u. 1)	
	CASQ.AGARRE CUBIERTA EC-2010 8X12X12 BE555102510 (u. 1)	OBSOLETO
2	BRIDA UNEX NYLON 2244 16/102 4.8X36 0/000.660.9104 (u. 1)	
	ABRAZADERA INSTALACION 0/000.680.0060 (u. 1)	
	BRIDA UNEX 2244 16/102 4.8X36 BE25634007 (u. 1)	OBSOLETO
3	PASADOR 8X20 PEDAL FRENO BE25622026 (u. 1)	OBSOLETO
	PASADOR 8X20 PEDAL FRENO 0/000.840.9101 (u. 1)	
4	CLAVILLA PASADOR FRENO 2X20 0/000.840.9102 (u. 1)	
	CLAVILLA PASADOR FRENO 2X20 BE25622027 (u. 1)	OBSOLETO
5	BOMBA FRENO TRA.NISSIN (69181-GAS) 133-M BE250522010 (u. 1)	
6	INTERRUPTOR 23-016/1 STOP BOMBA NISSIN 3 0/000.720.9104 (u. 1)	
	INTERRUPTOR 23-016/1 STOP BOMBA NISSIN 3 BE250334003 (u. 1)	OBSOLETO
7	ARANDELA LATIGUILLO 10X14X1 BE25622007 (u. 1)	
8	COJINETE 6004 2RS1 C160001 (u. 1)	

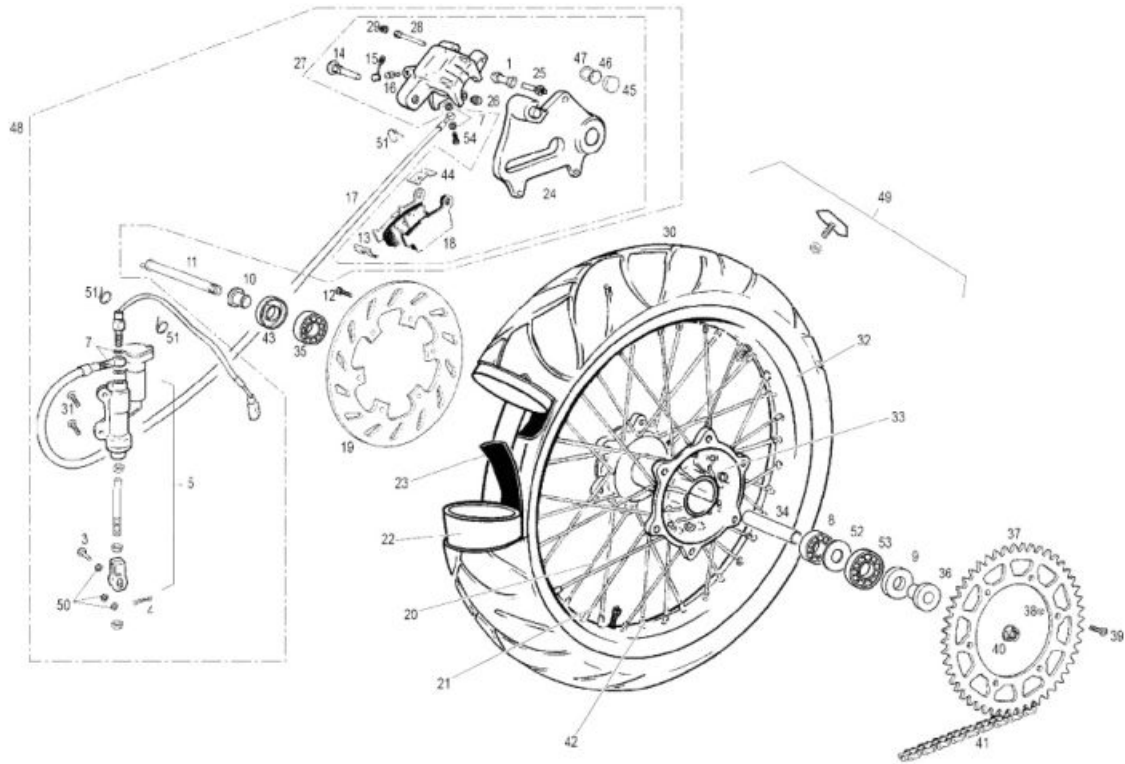
9	RETEN RUEDA TT 2003 32X47X7 BE250318055 (u. 1)	
10	DIST.RUEDA TRAS.CORTO EC-2000 BE250018025 (u. 1)	OBSOLETO
	DIST.RUEDA TRAS.CORTO EC-2000 0/000.480.9104 (u. 1)	
11	EJE RUEDA TRAS. BE25618020 (u. 1)	
12	TORN.ESP.6X16 DIN 6921 ZINC.10.9 0/000.460.9119 (u. 1)	
	TORN.ESP.6X16 10.9 ZINC. T0206016 (u. 1)	OBSOLETO
	Hex Bolt 6x16 T0106016 (u. 1)	OBSOLETO
13	PLATINA (A) SUJ.PAS.TRAS.002-C80-001 BE250022090 (u. 1)	
14	TORN.SUJ.PINZA 012-C54-001 BE250022096 (u. 1)	
15	TAP.SANGRADOR NISSIN 009-Z51-015 BE250022055 (u. 1)	
16	SANGRADOR NISSIN 079-Z50-001 BE250022060 (u. 1)	
17	LATIG.FRENO TRAS.AJP (766.16.317C) BE250522004 (u. 1)	OBSOLETO
18	JUEGO P.FRENO.TRAS.PM392 B BE250022068 (u. 1)	
	JGO.PASTILLAS FRENO NISSIN CP1K21-GAS(TO BE250422068 (u. 1)	
	JGO.PASTILLAS NISSIN TRAS.S(DS219-G BE250122068 (u. 1)	OBSOLETO
	JUEGO PAST.NISSINPAD SET CP1K1 GAS BC250022068 (u. 1) - MC	
19	D.FRENO.TRAS.FLOR 1057X EC-2010 0/001.090.9102 (u. 1)	
	D.FRENO.TRAS.FLOR 1057X EC-2010 BE570002510 (u. 1)	OBSOLETO
	D.FRENO.TRAS.LISO NG 243 BE250222012/2 (u. 1)	
	D.FRENO.TRAS.EC250-2008 1057 BE250422012 (u. 1)	
19	D.FRENO.TRAS.FLOR 1057X EC-2010 0/001.090.9102 (u. 1)	
	D.FRENO.TRAS.EC250-2008 1057 BE250422012 (u. 1)	
	D.FRENO.TRAS.FLOR 1057X EC-2010 BE570002510 (u. 1)	OBSOLETO
20	RADIO RUEDA TRAS.205.5X4.5 BC250418015 (u. 1)	OBSOLETO
	KIT RADIO Y TUERCA TRASERO188x4,5 LADO CORONA MOD. 2000-2013 BE250018014 (u. 1)	
21	RADIO RUEDA TRAS.200.5x1.5 BC250418014 (u. 1) - MC	
	KIT RADIO Y TUERCA TRASERO 192x4,5 LADO FRENO MOD. 2000-2013 BE250018015 (u. 1)	

	CAMARA TRAS.MC19 CROSS 250-97 BC25718004 (u. 1) - MC	
22	CAMARA TRASERA CH 18 MGR VALVE TR4 MICHELIN 0/000.520.9102 (u. 1)	
	CAMARA TRAS.18CR BE25618004 (u. 1)	OBSOLETO
	CAMARA TRASERA CH 18 MGR VALVE TR4 MICHELIN BE552002511 (u. 1)	OBSOLETO
23	PROT.BANDA TRAS.18 BE25618003 (u. 1)	OBSOLETO
	PROT.BANDA TRASERO 1.60/2.00 X 18/19 (1300X25) 656415 MICHELIN 0/000.220.9110 (u. 1)	
	PROT.BANDA TRASERO 1.60/2.00 X 18/19 (1300X25) 656415 MICHELIN BE553002511 (u. 1)	OBSOLETO
24	SOP.PINZA TRAS.EC-2000 BE250022120 (u. 1)	
25	TORN.CLAVIJA PINZA FRENO 082-C48-023 BE250022034 (u. 1)	
26	GUARDAPOLVO NISSIN 002-C40-041 BE250022093 (u. 1)	OBSOLETO
	GUARDAPOLVO EC 002-C40-101 BE620682508 (u. 1)	
27	PINZA FRENO TRAS+SOP.EC-2003 BE250322001 (u. 1)	
28	PASADOR PASTILLAS TRAS.002-C50-053 BE250022094 (u. 1)	
29	PROTECC.PASADOR NISSIN 002-C51-012 BE250022095 (u. 1)	
30	NEUMATICO CROSS 120/80-19 M12 BC25718005 (u. 1)	OBSOLETO
	NEUMATICO TRAS.140/80-18 70R END.CO BE25618005 (u. 1)	OBSOLETO
31	AGARRE TRAS.EC-2009 2.15x18 0/000.220.9115 (u. 1)	
	AGARRE TRAS.EC-2009 2.15x18 BE555002509 (u. 1)	OBSOLETO
	AGARRE CUBIERTA TRAS.N.2 HR9010102 BE250218008 (u. 1)	OBSOLETO
32	TUERCA AUTOBLOCANTE M-8 BAJA DIN 985 ZINC. T2108001 (u. 1)	OBSOLETO
	TUERCA AUTOBL.M-8 BAJA DIN 985 ZINC 0/000.340.9114 (u. 1)	
33	GUARDAPOLVO PINZA EC 002-C49-104 BE620692508 (u. 1)	
	PROTECC.TORN.002.C49.011 BE250022039 (u. 1)	OBSOLETO
34	CUBO RUEDA TRAS.ENDURO 2003 326.00.400 BE250318027 (u. 1)	
35	DISTAN.RUEDA TRAS.INTER.CUBO R575700 (u. 1)	
36	COJINETE 6004 2RS1 C160001 (u. 1)	
37	DIST.RUEDA TRAS.LARGO BE250318021 (u. 1)	

	CORONA Z-54 BE25918126 (u. 1)	OBSOLETO	
	CORONA Z-39 SUPERMOTARD BE250118124SM (u. 1)	OBSOLETO	
	CORONA Z-40 SUPERMOTARD(CEX) BE250118125SM (u. 1)		
	CORONA Z 50 ENDURO 2011 COLOR TIT. BE573022511 (u. 1)		
	CORONA Z-52 125 BE12618024 (u. 1)		
	CORONA Z 48 ENDURO 2011 COLOR TIT. 0/000.500.9101 (u. 1)		
	CORONA Z-44 PPF BF250018024 (u. 1)		
	CORONA Z-47 250 BE25618024 (u. 1)	OBSOLETO	
38	CORONA Z-42 0/000.500.9103 (u. 1)		
	CORONA Z-42 BE250118034SM (u. 1)	OBSOLETO	
	CORONA Z-51 BE12618034 (u. 1)		
	CORONA Z-53 BE25918125 (u. 1)	OBSOLETO	
	CORONA Z-48 ENDURO 2004 BE250418034 (u. 1)		
	CORONA Z 48 ENDURO 2011 COLOR TIT. BE573002511 (u. 1)	OBSOLETO	
	PLATO ARRASTRE Z-49 CROSS 250 0/000.500.9100 (u. 1)		
	CORONA Z-49 CROSS 250 BC25818024 (u. 1)	OBSOLETO	
	CORONA Z-46 BE25918124 (u. 1)		
	CORONA Z-50 R840701 (u. 1)	OBSOLETO	
	39	TUERCA AUTOBL+ARANDELA M8 T2208002 (u. 1)	OBSOLETO
		TUERCA AUTOBL + ARANDELA M8 ZINC 0/000.340.9119 (u. 1)	
	40	ALLEN+8X30 TENS.CAD. T0408030 (u. 1)	OBSOLETO
		ALLEN CONICO 8X30 DIN 7991 ZINC 12.9 0/000.460.9153 (u. 1)	
41	TUERCA AUTOBL.RUEDA TRAS.PR80 DIA.32 ZIN BE25618023 (u. 1)		
42	CADENA ABIERTA 135 ZRA 112 PASOS CON CLIP 0/001.050.9100 (u. 1)		
	CADENA ABIERTA 135 ZRA 112 PASOS CON CLIP BE57800GG-CLJ-1 (u. 1)	OBSOLETO	
	CADENA RX3 112 LINKS BC120110036 (u. 1) - 125		
	135ORCX112 CHAIN EC2003 BE250310036 (u. 1)	OBSOLETO	

	TUERCA RADIO TRAS.2005 BC250418016 (u. 1)	OBSOLETO
43	TUERCA RADIO D7 M4.5x0.75 EC250-2001 SUP BE250118016SM (u. 1)	
	TUERCA RADIO TRAS. BE250018016 (u. 1)	OBSOLETO
44	RETEN RUEDA DEL.TT 25x42x7 C160710 (u. 1)	
45	PLATINA (B) SUJ.PAST.TRAS.002-C53-101 BE250022091 (u. 1)	
46	PISTON PINZA FRENO TRAS.272-C34-O13 BE250022044 (u. 1)	
47	RETEN PISTON PINZA TRAS 270-C42-015 BE250022047 (u. 1)	
48	TORICA PISTON PINZA TRAS 270-C43-009 BE250022048 (u. 1)	
49	RUEDA TRAS.CROSS 250-2004 BC250418100 (u. 1)	OBSOLETO
	RUEDA TRAS.EC250-2005 BE250518100 (u. 1)	OBSOLETO
50	ENGANCHE CADENA 26/135ORC6 BE250310066 (u. 1)	
51	BRIDA 2,5x100 T18ROS-PA66HS-BK 0/000.680.0081 (u. 1)	
	BRIDA UNEX NYLON CORTA 2221-0 2.5X98 =P380003 0/000.660.9106 (u. 1)	
	BRIDA nylon CORTA 2221-0 2.5X98 =P380003 BE25634010 (u. 1)	OBSOLETO
52	ULS 6x20+ARANDELA PLATA T0556020 (u. 1)	
53	LLANTA TRAS.V TYPE 18X2.15 ENDURO BE250518011 (u. 1)	
	LLANTA 19 CROSS 250 NG. BC25718011 (u. 1)	OBSOLETO
54	ARANDELA 8X16X1 DIN 9021 ZINC 0/000.440.9129 (u. 1)	
	ARANDELA 8X16X1 ZINCADA PEDAL FRENO T4008018 (u. 1)	OBSOLETO
55	CTO.FRENO TRAS.MONT.EC-2009 BE65000CT2509 (u. 1)	
	CTO.FRENO TRAS.PURGAGO CROSS 2005 BC250522118 (u. 1)	OBSOLETO
	CTO.FRENO TRAS.PURGADO EC 2005 BE250522118 (u. 1)	OBSOLETO
57	ANILLO SEGEER DIA.42 BE25618038 (u. 1)	
58	ARANDELA SUPLEMENTO CUBO RUEDA TRAS.EC09 BE555012509 (u. 1)	
59	COJINETE RUEDA TRAS.6005-2SRH C3 BE250318054 (u. 1)	
60	RACORD SUJ.LATIGUILLO 10X1,25(9257) BC25722006 (u. 1)	

Rueda trasera SM

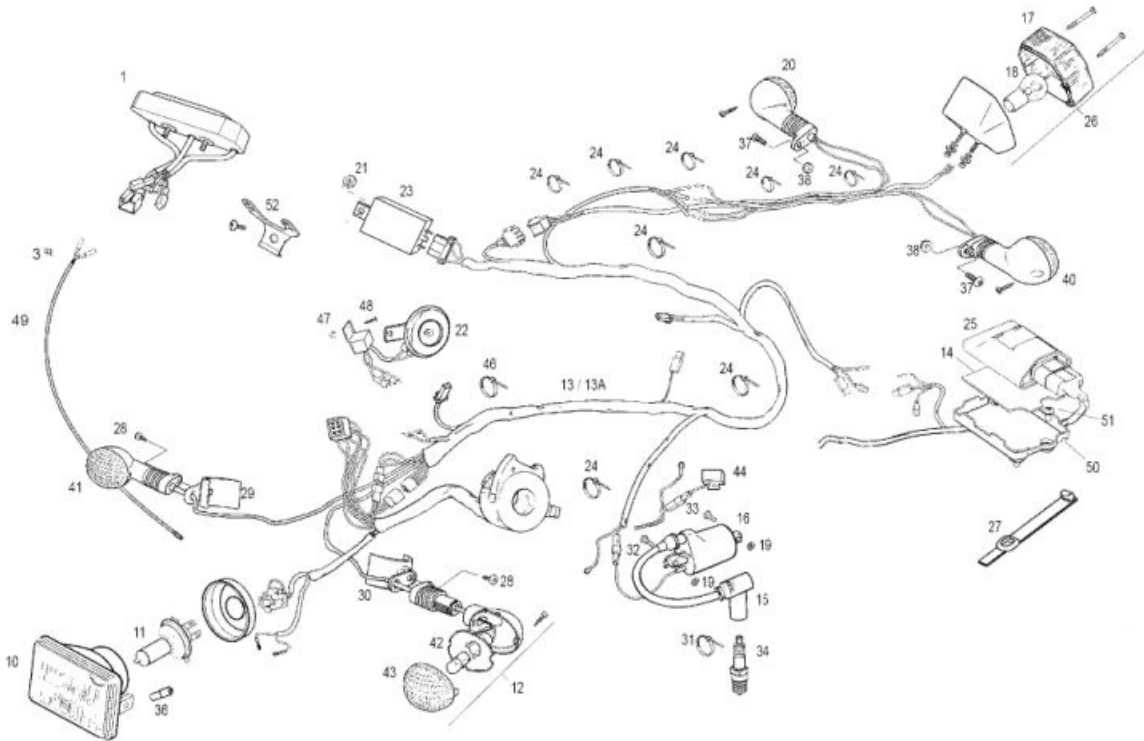


1	<p>PROTECC.TORN.002.C49.011 BE250022039 (u. 1)</p> <p>GUARDAPOLVO PINZA EC 002-C49-104 BE620692508 (u. 1)</p>	OBSOLETO
3	<p>PASADOR 8X20 PEDAL FRENO BE25622026 (u. 1)</p> <p>PASADOR 8X20 PEDAL FRENO 0/000.840.9101 (u. 1)</p>	OBSOLETO
4	<p>CLAVILLA PASADOR FRENO 2X20 0/000.840.9102 (u. 1)</p> <p>CLAVILLA PASADOR FRENO 2X20 BE25622027 (u. 1)</p>	OBSOLETO
5	<p>BOMBA FRENO TRA.NISSIN (69181-GAS) 133-M BE250522010 (u. 1)</p>	
7	<p>ARANDELA LATIGUILLO 10X14X1 BE25622007 (u. 1)</p>	
8	<p>COJINETE 6004 2RS1 C160001 (u. 1)</p>	
9	<p>RETEN RUEDA TT 2003 32X47X7 BE250318055 (u. 1)</p>	
10	<p>DIST.RUEDA TRAS.CORTO EC-2000 0/000.480.9104 (u. 1)</p> <p>DIST.RUEDA TRAS.CORTO EC-2000 BE250018025 (u. 1)</p>	OBSOLETO
11	<p>EJE RUEDA TRAS. BE25618020 (u. 1)</p>	

	Hex Bolt 6x16 T0106016 (u. 1)	OBSOLETO
12	TORN.ESP.6X16 DIN 6921 ZINC.10.9 0/000.460.9119 (u. 1)	
	TORN.ESP.6X16 10.9 ZINC. T0206016 (u. 1)	OBSOLETO
13	PLATINA (A) SUJ.PAS.TRAS.002-C80-001 BE250022090 (u. 1)	
14	TORN.SUJ.PINZA 012-C54-001 BE250022096 (u. 1)	
15	TAP.SANGRADOR NISSIN 009-Z51-015 BE250022055 (u. 1)	
16	SANGRADOR NISSIN 079-Z50-001 BE250022060 (u. 1)	
17	LATIG.FRENO TRAS.AJP (766.16.317C) BE250522004 (u. 1)	OBSOLETO
18	JUEGO P.FRENO.TRAS.PM392 B BE250022068 (u. 1)	
	D.FRENO.TRAS.EC250-2008 1057 BE250422012 (u. 1)	
19	D.FRENO.TRAS.FLOR 1057X EC-2010 0/001.090.9102 (u. 1)	
	D.FRENO.TRAS.FLOR 1057X EC-2010 BE570002510 (u. 1)	OBSOLETO
20	RADIO 170x4 INOX BE250118015SM (u. 1)	
21	RADIO 168x4 INOX BE250118014SM (u. 1)	
22	CAMARA TRAS.17 CG REF.R.1466 BE250118004SM (u. 1)	
23	PROT.3.25-3.5-4.00-18/19 RH12022 BE250118028SM (u. 1)	
24	SOP.PINZA TRAS.EC-2000 BE250022120 (u. 1)	
25	TORN.CLAVIJA PINZA FRENO 082-C48-023 BE250022034 (u. 1)	
26	GUARDAPOLVO NISSIN 002-C40-041 BE250022093 (u. 1)	OBSOLETO
	GUARDAPOLVO EC 002-C40-101 BE620682508 (u. 1)	
27	PINZA FRENO TRAS+SOP.EC-2003 BE250322001 (u. 1)	
28	PASADOR PASTILLAS TRAS.002-C50-053 BE250022094 (u. 1)	
29	PROTECC.PASADOR NISSIN 002-C51-012 BE250022095 (u. 1)	
30	NEUMATICO TRAS.150/60 ZR 17 66W PILOT SP BE250118005SM (u. 1)	
31	ULS 6x20+ARANDELA PLATA T0556020 (u. 1)	
32	LLANTA TRAS.4.25x17 EC250 SM BE250118011SM (u. 1)	OBSOLETO
33	CUBO RUEDA TRAS.ENDURO 2003 326.00.400 BE250318027 (u. 1)	
34	DISTAN.RUEDA TRAS.INTER.CUBO R575700 (u. 1)	

35	COJINETE 6004 2RS1 C160001 (u. 1)	
36	DIST.RUEDA TRAS.LARGO BE250318021 (u. 1)	
37	CORONA Z-42 BE250118034SM (u. 1)	OBSOLETO
	CORONA Z-42 0/000.500.9103 (u. 1)	
38	TUERCA AUTOBL.M-8 ALTA (DIN 982) T2108002 (u. 1)	OBSOLETO
39	ALLEN CONICO 8X30 DIN 7991 ZINC 12.9 0/000.460.9153 (u. 1)	
	ALLEN+8X30 TENS.CAD. T0408030 (u. 1)	OBSOLETO
40	TUERCA AUTOBL.RUEDA TRAS.PR80 DIA.32 ZIN BE25618023 (u. 1)	
41	CADENA RX3 PASOS 108 (INCL.ENGANCHE) BE250110036SM (u. 1)	
42	TUERCA RADIO D7 M4.5x0.75 EC250-2001 SUP BE250118016SM (u. 1)	
43	RETEN RUEDA DEL.TT 25x42x7 C160710 (u. 1)	
44	PLATINA (B) SUJ.PAST.TRAS.002-C53-101 BE250022091 (u. 1)	
45	PISTON PINZA FRENO TRAS.272-C34-O13 BE250022044 (u. 1)	
46	RETEN PISTON PINZA TRAS 270-C42-015 BE250022047 (u. 1)	
47	TORICA PISTON PINZA TRAS 270-C43-009 BE250022048 (u. 1)	
48	CTO.FRENO TRAS.MONT.EC-2009 BE65000CT2509 (u. 1)	
	CTO.FRENO TRAS.PURGADO EC 2005 BE250522118 (u. 1)	OBSOLETO
50	ARANDELA 8X16X1 ZINCADA PEDAL FRENO T4008018 (u. 1)	OBSOLETO
	ARANDELA 8X16X1 DIN 9021 ZINC 0/000.440.9129 (u. 1)	
51	BRIDA nylon CORTA 2221-0 2.5X98 =P380003 BE25634010 (u. 1)	OBSOLETO
	BRIDA 2,5x100 T18ROS-PA66HS-BK 0/000.680.0081 (u. 1)	
	BRIDA UNEX NYLON CORTA 2221-0 2.5X98 =P380003 0/000.660.9106 (u. 1)	
52	ARANDELA SUPLEMENTO CUBO RUEDA TRAS.EC09 BE555012509 (u. 1)	
53	COJINETE RUEDA TRAS.6005-2SRH C3 BE250318054 (u. 1)	
54	RACORD SUJ.LATIGUILLO 10X1,25(9257) BC25722006 (u. 1)	

Conjunto de cables

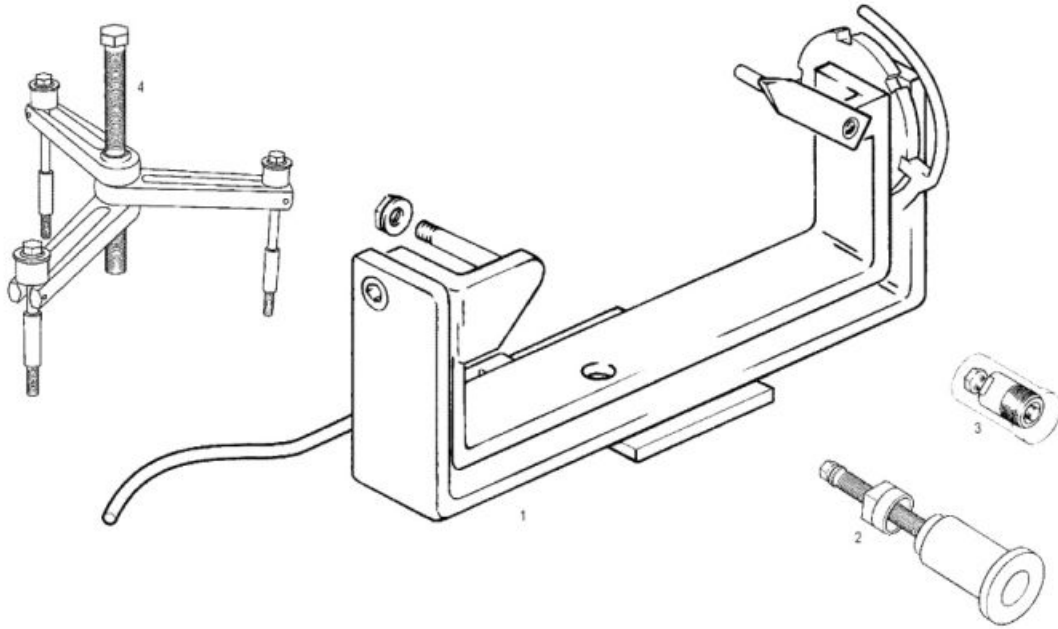


1	CTO.MULTIFUNCION EC2006 BE250634005 (u. 1)	OBSOLETO
	CTO. MULTIFUNCION CON SOPORTE MOD.2008-2013 EE600002513 (u. 1)	
3	PASACABLES CTA.KM.ENDURO 2003 BE250334053 (u. 1)	
10	OPTICA HALOGENA HS1 35W-12V (1003204)+L. BE250520024 (u. 1)	
11	BOMBILLA HALOGENA 35/35 12V.HS1 L300125 (u. 1)	
12	INTERMITENTE IZQ.DEL.2005 BE250634019 (u. 1)	OBSOLETO
	INTERMITENTE IZQ.DEL.2005 0/000.150.9101 (u. 1)	
13	INST.ENDURO EC2006 BE250634014 (u. 1)	OBSOLETO
	INST.ENDURO EC2007 BE250734014 (u. 1)	
13_	INST.TT XC-2005 BX250534014 (u. 1)	OBSOLETO
	INST.ENDURO EC2007 BE250734014 (u. 1)	
	INST.ENDURO EC2006 BE250634014 (u. 1)	OBSOLETO
	INST.TT XC-2005 FARO HALOGENO BX250534014/2 (u. 1)	
14	ESPUMA PROT.CDI EC 2005 BE250534109 (u. 1)	

15	PIPA BUJIA LB05EMH=BT27934000 0/005.110.9100 (u. 1)	
	PIPA BUJIA BE25934000 (u. 1)	OBSOLETO
16	BOB.KOKUSAN IG512L ME250434006 (u. 1)	
17	CRISTAL PILOTO TRAS.PP BP25734115 (u. 1)	OBSOLETO
	FARO PILOTO PP 250-97 277.10 BP25734015 (u. 1)	
18	BOMBILLA 12V5-21W L300116 (u. 1)	OBSOLETO
19	CASQ.SEP.BOMBA FRENO TRAS. BT120222097 (u. 1)	OBSOLETO
20	INTERMITENTE DCH.TRAS.2005 BE250634021 (u. 1)	OBSOLETO
	INTERMITENTE DCH.TRAS.2005 0/000.150.9102 (u. 1)	
	INTERMITENTE DCH.TRAS.2005 BE250634021/2 (u. 1)	OBSOLETO
21	TUERCA AUTOBL.BAJA M-6 DIN 985 ZN CR3 6 0/000.340.9113 (u. 1)	
	TUERCA AUTOBL.BAJA M-6 (DIN 985) T2106001 (u. 1)	OBSOLETO
22	CLAXON TT PE40045200 BE25634020 (u. 1)	
23	CAJA INTERMITENCIAS PE40355C00 L300720 (u. 1)	
24	BRIDA UNEX NYLON 2244 4.8X20 0/000.660.9105 (u. 1)	
	ABRAZADERA INSTALACION 0/000.680.0060 (u. 1)	
	BRIDA UNEX 2244 4.8X20 BE25634009 (u. 1)	OBSOLETO
25	CDI KOKUSAN CU7522 EC2006 ME250634007 (u. 1)	
	CDI KOKUSAN CU7508 EC 125-2005 ME120534007 (u. 1) - 125	
26	PILOTO TRAS.EC2002 277.11 BE250234015 (u. 1)	OBSOLETO
	FARO PILOTO PP 250-97 277.10 BP25734015 (u. 1)	
27	GOMA SUJ.CDI BE250034100 (u. 1)	OBSOLETO
	GOMA SUJ.CDI 0/000.360.9101 (u. 1)	
28	TORN.PHILIPS CHAPA 6.3x16 ZINCADO.NEGRO. T0706316 (u. 1)	OBSOLETO
29	SOP.INTER.DEL.DCH.O.EC2001 BE250134017 (u. 1)	
30	SOP.INTERM.DEL.IZQ.EC2001 BE250134020 (u. 1)	

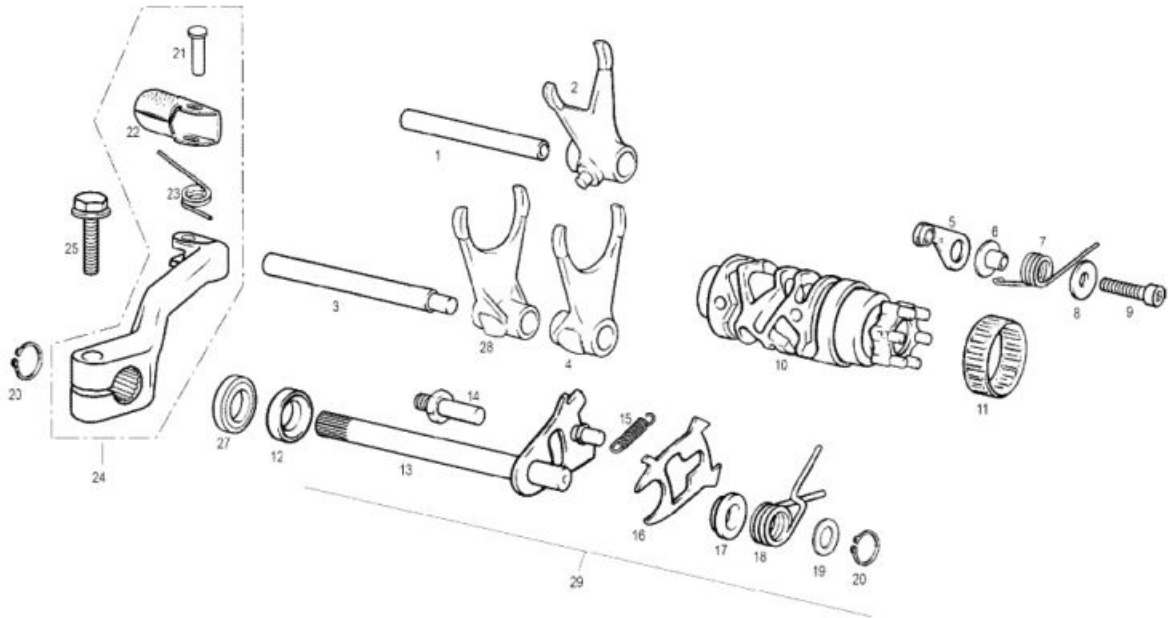
	BRIDA UNEX NYLON CORTA 2221-0 2.5X98 =P380003 0/000.660.9106 (u. 1)	
31	BRIDA 2,5x100 T18ROS-PA66HS-BK 0/000.680.0081 (u. 1)	
	BRIDA nylon CORTA 2221-0 2.5X98 =P380003 BE25634010 (u. 1)	OBSOLETO
32	TORN.ESP.6X25 DIN 6921 GEOMET 10.9 VALONA 11MM 0/000.460.9121 (u. 1)	
	TORN.ESP.6X25(10.9) VALONA 11MM T0206025 (u. 1)	OBSOLETO
33	ULS 6X30 (12.9) MOD.REG. T0506030 (u. 1)	
34	BUJIA W24ESRU 0/005.110.9101 (u. 1)	
	BUJIA W27ESRU ME120134000 (u. 1) - 125	
	BUJIA W24ESRU ME25934000 (u. 1)	OBSOLETO
36	BOBILLA LUZ POSICION L300126 (u. 1)	
37	ULS 6x16 ISO 7380-1 NEGRO 12.9 0/000.460.9156 (u. 1)	
	TORN.ULS 6x16 PL.PRIM,GUAR,FIL NG. T0506016N (u. 1)	OBSOLETO
38	TUERCA+ARAN.M-6 (DIN 6923) ESTR. T2206000 (u. 1)	OBSOLETO
	TUERCA+ARAN.M-6 ESTR. DIN 6923 ZINC 8 0/000.340.9116 (u. 1)	
40	INTERMITENTE IZQ.TRAS.2005 BE250634022 (u. 1)	OBSOLETO
	INTERMITENTE IZQ.TRAS.2005 BE250634022/2 (u. 1)	OBSOLETO
	INTERMITENTE IZQ.TRAS.2005 0/000.150.9103 (u. 1)	
41	INTERMITENTE DCH.O.DEL.2005 BE250634018 (u. 1)	OBSOLETO
	INTERMITENTE DCH.O.DEL.2005 0/000.150.9100 (u. 1)	
42	BOMBILLA 12V 10W L200118 (u. 1)	
44	REGUL.ALTERNADOR 415 C = ME25634009 L300031 (u. 1)	
46	ABRAZADERA INSTALACION 0/000.680.0060 (u. 1)	
	BRIDA UNEX NYLON 3.6x140 LATIG.EMBR. 0/000.680.9100 (u. 1)	
	BRIDA NYLON 3.6x140 LATIG.EMBR. BE250022031 (u. 1)	OBSOLETO
47	ULS 6x14+ARANDELA PLATA T0556014 (u. 1)	
48	TORN.PHILIPS CABOTA ANCHA T0706013 (u. 1)	
49	SENSOR CUENTA KM ENDURO 0/001.010.9100 (u. 1)	
	SENSOR CUENTA KM ENDURO BE250634050 (u. 1)	OBSOLETO

50	SOP.CDI EC 2005 BE250534107 (u. 1)	
51	ULS 6X10 DIR. T0506010 (u. 1)	OBSOLETO
52	SOP.MULTIFUNCION 2006 BFS450634045 (u. 1)	

Herramientas de asistencia


1	BANCADA MONT.MOTOR BT27950050 (u. 1)	OBSOLETO
2	EXTRACTOR COJINETE CIGUEÑAL ME25950000 (u. 1)	OBSOLETO
3	EXTRACTOR VOL.MAG.KUKUSAN 5238 M04015001 (u. 1)	OBSOLETO
4	KOKUSAN FLYWHEEL EXTRACTOR ME25634045 (u. 1)	OBSOLETO
	EXTRACTOR CARTER ME25950005 (u. 1)	OBSOLETO

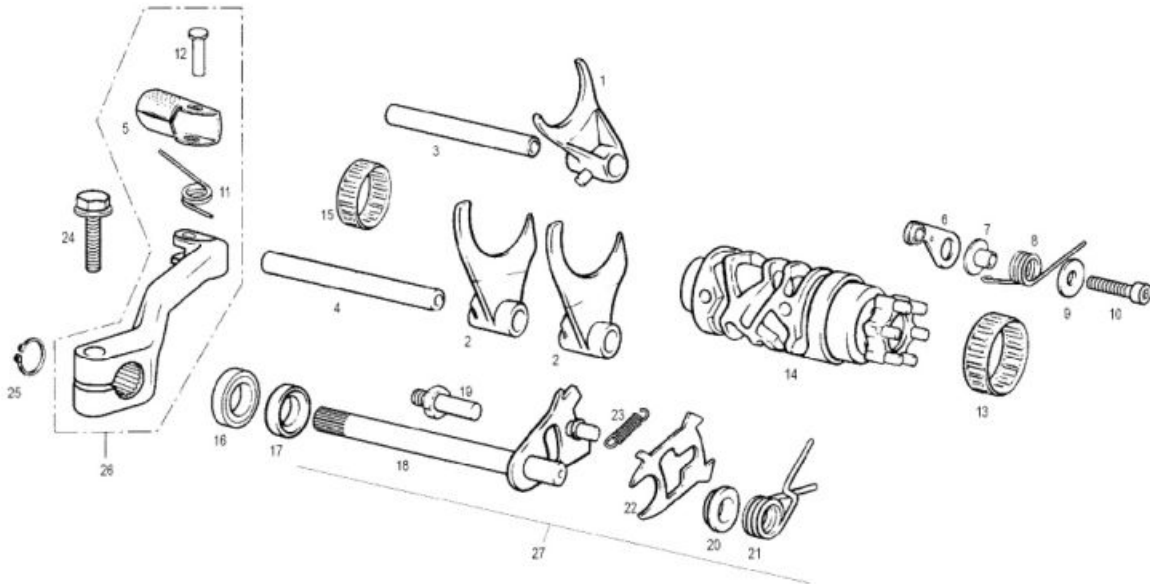
EC - MX - SM 2T 125-200-250-300 2006- Engine

Arbol selector cambio 125


1	EJE HORQ.CORTO EC125-2001 ME120136045 (u. 1)	OBSOLETO
2	HORQ.PRIM.5-6 ME120136009 (u. 1)	OBSOLETO
3	EJE HORQ.LARGO ME120136044 (u. 1)	
4	HORQ.SEC.1-4 EC125-2001 ME120136008 (u. 1)	OBSOLETO
6	CASQU.PLATINA FIJ.MARCHAS ME25636047 (u. 1)	OBSOLETO
	CASQU.PLATINA FIJ.MARCHAS 0/000.480.9122 (u. 1)	
7	MUELLE FIJADOR MARCHAS EC125cc ME120136034 (u. 1)	
8	ARANDELA PLANA 6.5X16X1.5 DIN 125 ZINC 0/000.440.9125 (u. 1)	
	ARANDELA PLANA 6.5X16X1.5 T4006016 (u. 1)	OBSOLETO
9	ALLEN 6X25 TA.EMB,CART,SUSP.12.9 T0306025 (u. 1)	
10	DESMODROMICO EC 125-2005 ME120536031 (u. 1)	
11	ROD.DESMO.HK3512=M03650000 0/000.960.9110 (u. 1)	
	ROD.DESMO.HK3512=M03650000 ME25636054 (u. 1)	OBSOLETO
12	CASQ.EJE SELEC. ME250136050 (u. 1)	

13	EJE SELEC.EC125 COMP. ME120236038CT (u. 1)	
	CTO.EJE SELEC.EC125-2002 ME120236038 (u. 1)	OBSOLETO
14	TORN.CENTR.MUELLE SELEC. ME25636042 (u. 1)	OBSOLETO
	TORN.CENTR.MUELLE SELEC. 0/000.460.9110 (u. 1)	
15	MUELLE ESCORPION 250.TT. ME25636039 (u. 1)	
16	ESCORPION EC250-2002 ME250236036 (u. 1)	
17	DOLLA CENTRADOR ESCORPION EC250-2002 ME250236041 (u. 1)	
18	MUELLE SELEC. ME25636035 (u. 1)	
19	ARANDELA 12,10/12.25x22x3 EJE SELEC. T4012022 (u. 1)	OBSOLETO
20	SEEGER 12X1 DIN 471 0/000.300.9104 (u. 1)	
	SEEGER 12X1 EXT.EJE SELEC. ME25636043 (u. 1)	OBSOLETO
21	PASADOR PUNT.PEDAL 6X18 =M03810010 ME25636030 (u. 1)	
22	PUNTERA PEDAL CAMBIO TRIAL ME25636027 (u. 1)	
23	MUELLE PUNTERA PEDAL CAMBIO ME25636029 (u. 1)	
24	PEDAL CAMBIO EC125-2003 ME120336026 (u. 1)	
25	TORN.ESP.6x20 DIN 6921 GEOMET 10.9 0/000.460.9120 (u. 1)	
	TORN.ESP.6x20 10.9 ZINC.(CEX) T0206020 (u. 1)	OBSOLETO
27	RETEN SELEC.12-19-5 AS-CC ME120136048 (u. 1)	
28	HORQ.SEC.2-3 EC125-2001 ME120136108 (u. 1)	OBSOLETO
29	EJE SELEC.EC125 COMP. ME120236038CT (u. 1)	

Arbol selector cambio 200-250-300

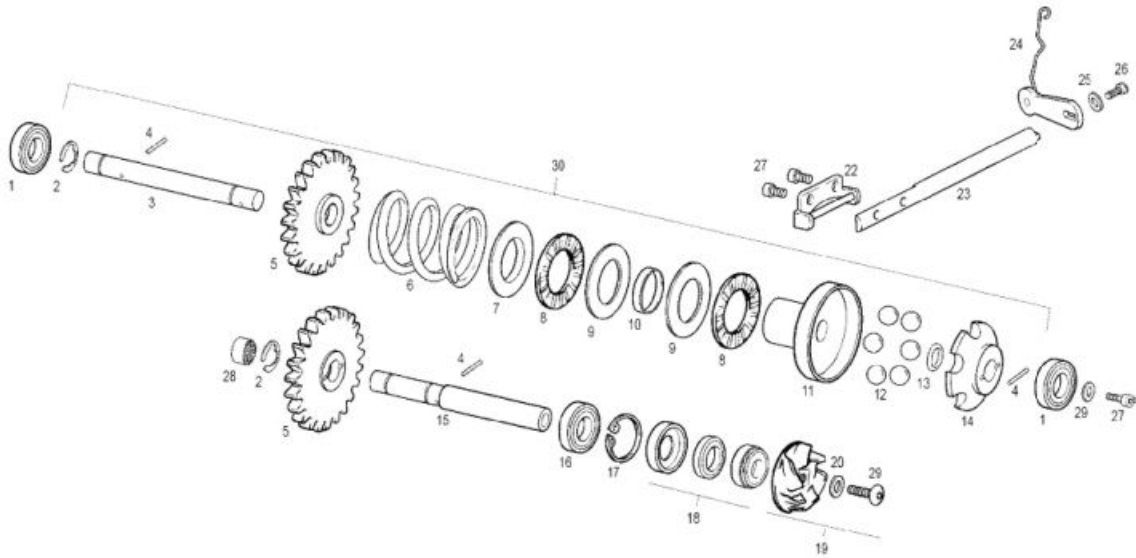


	HORQ.3-4 CROSS MC25836009 (u. 1)	OBSOLETO
1	HORQ.5-6 0/005.330.9101 (u. 1)	
	HORQ.5-6 ME25636009 (u. 1)	OBSOLETO
2	HORQ.1-2-3-4 0/005.330.9100 (u. 1)	OBSOLETO
	HORQ.1-2-3-4 ME25636008 (u. 1)	OBSOLETO
	HORQ.1-2 CROSS MC25836008 (u. 1)	OBSOLETO
3	EJE HORQ.CORTO 0/000.190.9107 (u. 1)	
	EJE HORQ.CORTO ME25636045 (u. 1)	OBSOLETO
4	EJE HORQ.LARGO ME25636044 (u. 1)	OBSOLETO
	EJE HORQ.LARGO 0/000.190.9106 (u. 1)	
5	PUNTERA PEDAL CAMBIO TRIAL ME25636027 (u. 1)	
6	FIJADOR MARCHAS EC-2000 ME250036033 (u. 1)	OBSOLETO
	FIJADOR MARCHAS EC COMP. ME250036033CT (u. 1)	OBSOLETO
	FIJADOR MARCHAS EC COMP. 0/005.560.9100 (u. 1)	

7	CASQU.PLATINA FIJ.MARCHAS 0/000.480.9122 (u. 1)	
	CASQU.PLATINA FIJ.MARCHAS ME25636047 (u. 1)	OBSOLETO
8	MUELLE FIJADOR MARCHAS EC-2000 ME250036034 (u. 1)	OBSOLETO
	MUELLE FIJADOR MARCHAS EC-2000 0/000.470.9108 (u. 1)	
9	ARANDELA PLANA 6.5X16X1.5 T4006016 (u. 1)	OBSOLETO
	ARANDELA PLANA 6.5X16X1.5 DIN 125 ZINC 0/000.440.9125 (u. 1)	
10	ALLEN 6X25 TA.EMB,CART,SUSP.12.9 T0306025 (u. 1)	
11	MUELLE PUNTERA PEDAL CAMBIO ME25636029 (u. 1)	
12	PASADOR PUNT.PEDAL 6X18 =M03810010 ME25636030 (u. 1)	
13	ROD.DESMO.HK3512=M03650000 0/000.960.9110 (u. 1)	
	ROD.DESMO.HK3512=M03650000 ME25636054 (u. 1)	OBSOLETO
14	DESMODROMICO EC-2005 0/005.090.9100 (u. 1)	
	DESMODROMICO EC-2005 ME250536031 (u. 1)	OBSOLETO
	DESMODROMICO CROSS 97 4 MARCHAS MC25736031 (u. 1)	OBSOLETO
15	RODAM.DESMODROMICO HK2512 =M03645000 0/000.960.9111 (u. 1)	
	RODAM.DESMODROMICO HK2512 =M03645000 ME25636055 (u. 1)	OBSOLETO
16	RETEN SELEC.12-22-7 AS-CC =M03821000 ME25636048 (u. 1)	OBSOLETO
	RETEN SELEC.12-22-7 AS-CC =M03821000 0/000.890.9107 (u. 1)	
17	CASQ.EJE SELEC. ME250136050 (u. 1)	
18	EJE SELEC.COMP.EC250 ME250236038CT (u. 1)	OBSOLETO
	EJE SELEC.EC250-2002 ME250236038 (u. 1)	OBSOLETO
	EJE SELEC.COMP.EC250 0/005.010.9100 (u. 1)	
19	TORN.CENTR.MUELLE SELEC. 0/000.460.9110 (u. 1)	
	TORN.CENTR.MUELLE SELEC. ME25636042 (u. 1)	OBSOLETO
20	DOLLA CENTRADOR ESCORPION EC250-2002 ME250236041 (u. 1)	
21	MUELLE SELEC. ME25636035 (u. 1)	
22	ESCORPION EC250-2002 ME250236036 (u. 1)	
23	MUELLE ESCORPION 250.TT. ME25636039 (u. 1)	

24	TORN.ESP.6x20 DIN 6921 GEOMET 10.9 0/000.460.9120 (u. 1)	
	TORN.ESP.6x20 10.9 ZINC.(CEX) T0206020 (u. 1)	OBSOLETO
25	SEEGER 12X1 EXT.EJE SELEC. ME25636043 (u. 1)	OBSOLETO
	SEEGER 12X1 DIN 471 0/000.300.9104 (u. 1)	
26	PEDAL CAMBIO EC125-2003 ME120336026 (u. 1)	
27	EJE SELEC.COMP.EC250 0/005.010.9100 (u. 1)	
	EJE SELEC.COMP.EC250 ME250236038CT (u. 1)	OBSOLETO

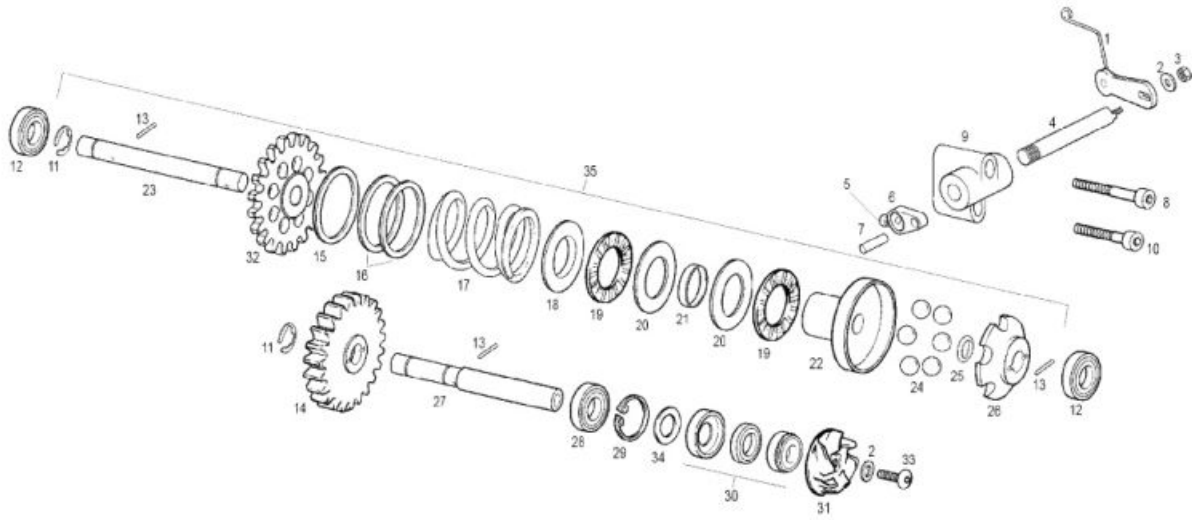
BOMBA AGUA 125



1	RODA.EJE CENTRI.Y BOMBA 608.Z.C3 ME25616032 (u. 1)	OBSOLETO
	RODA.EJE CENTRI.Y BOMBA 608.Z.C3 0/000.960.9108 (u. 1)	
2	SEEGER DIN 6799 E-7 0/000.300.9103 (u. 1)	
	SEEGER DIN 6799 E-7 ME25616024 (u. 1)	OBSOLETO
3	EJE CENTRIFUGO EC125-2003 ME120316005 (u. 1)	OBSOLETO
4	RODILLO 3X14 .DIN 7 ISO 2338 INOX A1 BOMBA AGUA CENTRIFUGO 0/000.280.9101 (u. 1)	
	RODILLO 3X14 BOMBA AGUA CENTRI. ME25616028 (u. 1)	OBSOLETO
5	PIÑOM BOMBA AGUA Y CENTRIFUGO ME120110005 (u. 1)	
6	MUELLE CENTRIFUGO VALV.ESCAPE ME120116026 (u. 1)	
7	ARANDELA CENTRAJE MUELLE CENTRIFUGO ME25616029 (u. 1)	
8	JAULA AGUJA VALV.ESCAPE AXK 1528 0/000.960.9109 (u. 1)	
	JAULA AGUJA VALV.ESCAPE AXK 1528 ME25632046 (u. 1)	OBSOLETO
9	PLACA AGUJA ROD.BOLET Y VAL.ESCAPE AS 15 0/000.440.9107 (u. 1)	
	PLACA AGUJA ROD.BOLET Y VAL.ESCAPE AS 15 ME25632016 (u. 1)	OBSOLETO
10	SEP.COJINETE CENTRIFUGO ME25616008 (u. 1)	

11	CAMPANA CENTRIFUGA ME25616007 (u. 1)	
12	BOLA CENTRIFUGO EMB.DE 8 m/m. ME25616033 (u. 1)	
13	TORICA 6X2 EJE CENTR.VAL.ESCAPE ME25616045 (u. 1)	
14	ESTRELLA CENTRIFUGO 6 BOLAS ME25916006 (u. 1)	
15	EJE PIÑON BOMBA AGUA 0/000.190.9104 (u. 1)	
	EJE PIÑON BOMBA AGUA ME25610006 (u. 1)	OBSOLETO
16	RODAM.BOMBA AGUA 6000C3Z =M03313001 ME25610010 (u. 1)	OBSOLETO
	RODAM.BOMBA AGUA 6000C3Z =M03313001 0/000.960.9107 (u. 1)	
17	SEEGER D.26 DIN 472-I26 0/000.300.9106 (u. 1)	
	SEEGER INT.26 B.AGUA=M03314012 DIN 472-I26 ME25636065 (u. 1)	OBSOLETO
18	RETEN BOMBA AGUA (ESTOPADA) 1510 CA/CE 1 ME25610011 (u. 1)	OBSOLETO
	RETEN BOMBA AGUA (ESTOPADA) 1510 CA/CE 1 0/000.890.9104 (u. 1)	
19	TURBINA BOMBA AGUA 2014 0/005.220.9100 (u. 1)	
	TURBINA BOMBA AGUA 2014 ME56000GG-CAB-1 (u. 1)	OBSOLETO
	TURBINA BOMBA AGUA ME25610007 (u. 1)	OBSOLETO
20	ARANDELA PLANA 6X12X1.5 (DIN 125) T4006012 (u. 1)	OBSOLETO
	ARANDELA PLANA 6X12X1.5 DIN 125 ZINC 0/000.440.9124 (u. 1)	
22	CTO.PALANCA SALIDA CENTRIFUGO EC125-2001 ME120116009 (u. 1)	
23	EJE PALANCA CENTRIFUGO EC125-2001 ME120116011 (u. 1)	OBSOLETO
24	CTO.PALANCA VARILLA EC125-2001 ME120116110 (u. 1)	
25	ARANDELA 5X12X1.5 T4005012 (u. 1)	OBSOLETO
	ARANDELA 5X12X1.5 DIN 125A ZINC 0/000.440.9121 (u. 1)	
26	ALLEN 5x15 DRACOMET T0305015 (u. 1)	OBSOLETO
	ALLEN 5x16 DRACOMET T0305016 (u. 1)	
27	ALLEN 4x8 DIN 912 ZINCADO PLATA 8.8 T0304008 (u. 1)	
28	RODAM.AGUJAS HK0810 INA EC400-4T MFS400126021 (u. 1)	
30	CENTRIFUGO COMP.EC125 2013 ME59000CT1213 (u. 1)	
	CENTRIFUGO COMP.EC125 ME120316005CT (u. 1)	OBSOLETO

BOMBA AGUA 200-250-300

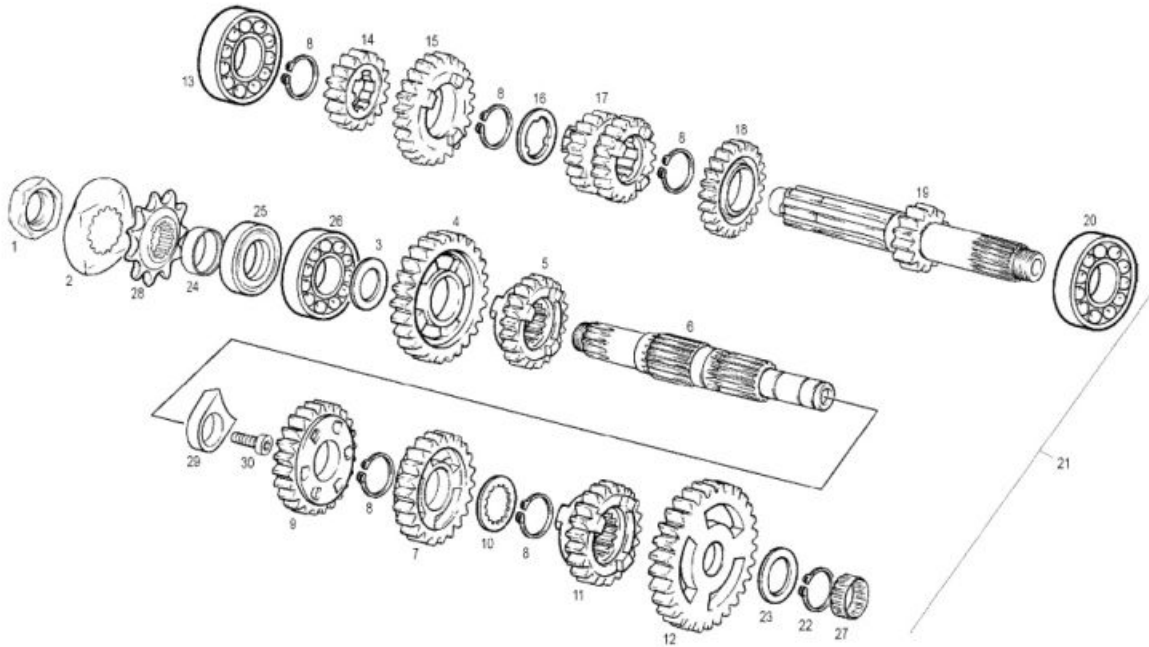


1	CTO.PALANCA VARILLA ME25616110 (u. 1)	OBSOLETO
	CTO.PALANCA VARILLA COMP. ME250216115 (u. 1)	
2	ARANDELA 5X12X1.5 DIN 125A ZINC 0/000.440.9121 (u. 1)	OBSOLETO
	ARANDELA 5X12X1.5 T4005012 (u. 1)	
3	TUERCA AUTOBL.DIN-985 M-5 ZN BAJA T2105000 (u. 1)	OBSOLETO
	TUERCA AUTOBL. M-5 BAJA DIN-985 ZINC 8 0/000.340.9112 (u. 1)	
4	EJE PALANCA CENTRIFUGO ME25616011 (u. 1)	
5	ALLEN 5 X 6 (12.9) T0305006 (u. 1)	
6	PALANCA SALIDA CENTRIFUGO ME25616009 (u. 1)	OBSOLETO
	PALANCA SALIDA CENTRIFUGO COMPL. ME25616009CT (u. 1)	OBSOLETO
7	AGUJA 4X15.8 VALV.ESCAPE ME25616037 (u. 1)	OBSOLETO
	PALANCA SALIDA CENTRIFUGO COMPL. ME25616009CT (u. 1)	OBSOLETO
8	ALLEN 6X50 DIN 912 12.9 COMPLETAMENTE ROSCADO GEOMET T0306050 (u. 1)	OBSOLETO
9	SOP.EJE MANDO VALV.TT-250 ME25616025 (u. 1)	OBSOLETO
10	ALLEN 6X35 12.9 T0306035 (u. 1)	

11	SEEGER DIN 6799 E-7 0/000.300.9103 (u. 1)	
	SEEGER DIN 6799 E-7 ME25616024 (u. 1)	OBSOLETO
12	RODA.EJE CENTRI.Y BOMBA 608.Z.C3 0/000.960.9108 (u. 1)	
	RODA.EJE CENTRI.Y BOMBA 608.Z.C3 ME25616032 (u. 1)	OBSOLETO
13	RODILLO 3X14 BOMBA AGUA CENTRI. ME25616028 (u. 1)	OBSOLETO
	RODILLO 3X14 .DIN 7 ISO 2338 INOX A1 BOMBA AGUA CENTRIFUGO 0/000.280.9101 (u. 1)	
14	PIÑON BOMBA AGUA Y CENTRI. 0/005.400.9111 (u. 1)	
	PIÑON BOMBA AGUA Y CENTRI. ME25610005 (u. 1)	OBSOLETO
15	VOLAN.RECL.MUELLE VAL.ESCAPE 31.5X22.5X0 ME25616076 (u. 1)	
16	VOLAN.REGLAJE MUELLE VAL.ESCAPE 31.5X22. ME25616077 (u. 1)	
17	MUELLE CENTRIFUGO VALV.ESC.99 ME25916026 (u. 1)	
18	ARANDELA CENTRAJE MUELLE CENTRIFUGO ME25616029 (u. 1)	
19	JAULA AGUJA VALV.ESCAPE AXK 1528 0/000.960.9109 (u. 1)	
	JAULA AGUJA VALV.ESCAPE AXK 1528 ME25632046 (u. 1)	OBSOLETO
20	PLACA AGUJA ROD.BOLET Y VAL.ESCAPE AS 15 ME25632016 (u. 1)	OBSOLETO
	PLACA AGUJA ROD.BOLET Y VAL.ESCAPE AS 15 0/000.440.9107 (u. 1)	
21	SEP.COJINETE CENTRIFUGO ME25616008 (u. 1)	
22	CAMPANA CENTRIFUGA ME25616007 (u. 1)	
23	EJE CENTRIFUGO ME25616005 (u. 1)	
24	BOLA CENTRIFUGO EMB.DE 8 m/m. ME25616033 (u. 1)	
25	TORICA 6X2 EJE CENTR.VAL.ESCAPE ME25616045 (u. 1)	
26	ESTRELLA CENTRIFUGO 6 BOLAS ME25916006 (u. 1)	
27	EJE PIÑON BOMBA AGUA ME25610006 (u. 1)	OBSOLETO
	EJE PIÑON BOMBA AGUA 0/000.190.9104 (u. 1)	
28	RODAM.BOMBA AGUA 6000C3Z =M03313001 0/000.960.9107 (u. 1)	
	RODAM.BOMBA AGUA 6000C3Z =M03313001 ME25610010 (u. 1)	OBSOLETO
29	SEEGER INT.26 B.AGUA=M03314012 DIN 472-I26 ME25636065 (u. 1)	OBSOLETO
	SEEGER D.26 DIN 472-I26 0/000.300.9106 (u. 1)	

30	RETEN BOMBA AGUA (ESTOPADA) 1510 CA/CE 1 0/000.890.9104 (u. 1)	
	RETEN BOMBA AGUA (ESTOPADA) 1510 CA/CE 1 ME25610011 (u. 1)	OBSOLETO
31	TURBINA BOMBA AGUA ME25610007 (u. 1)	OBSOLETO
	TURBINA BOMBA AGUA 2014 0/005.220.9100 (u. 1)	
	TURBINA BOMBA AGUA 2014 ME56000GG-CAB-1 (u. 1)	OBSOLETO
32	CENTRIFUGO COMP.EC250-2004 ME250416005CT (u. 1)	
	PIÑON CENTRIFUGO 2012 ME580012511 (u. 1)	
	PIÑON CENTRIFUGO 2004 ME250410005 (u. 1)	OBSOLETO
33	TORNILLO ULS 6X16 ISO 7380-1 ZINC 12.9 T0506016 (u. 1)	
34	ARANDELA 25.8x17.5x0.5 BOMBA AGUA 0/000.440.9103 (u. 1)	
	ARANDELA 25.8x17.5x0.5 BOMBA AGUA M03625000 (u. 1)	OBSOLETO
35	CENTRIFUGO COMP.EC250-2004 ME250416005CT (u. 1)	

Cambio 125



1 TUERCA FIJ.PIÑON SALIDA EC125-2001
ME120136021 (u. 1)

2 ARANDELA PRECINTO PIÑON SALIDA EC125cc
ME120136121 (u. 1)

3 ARANDELA CAMBIO 20x34x2
ME120136101 (u. 1)

OBSOLETO

4 PIÑON II SECUNDARIO TT 125 Z-28
ME120136077 (u. 1)

5 PIÑON VI SECUNDARIO TT 125 Z-24
ME120136081 (u. 1)

6 EJE SECUNDARIO 125CC.
ME120136075 (u. 1)

7 PIÑON IV SECUNDARIO TT 125 Z-27
ME120136079 (u. 1)

8 CIRCLIP E22 DIN 471
MT280236166 (u. 1)

9 PIÑON III SECUNDARIO TT 125 Z-26
ME120136078 (u. 1)

10 ARANDELA CAMBIO,ESTR.A22x19.5 DIN 5480
ME120136091 (u. 1)

11 PIÑON V SECUNDARIO TT 125 Z-26
ME120136080 (u. 1)

12 PIÑON PRIMERA SEC.Z-30 125 2005
ME120536076 (u. 1)

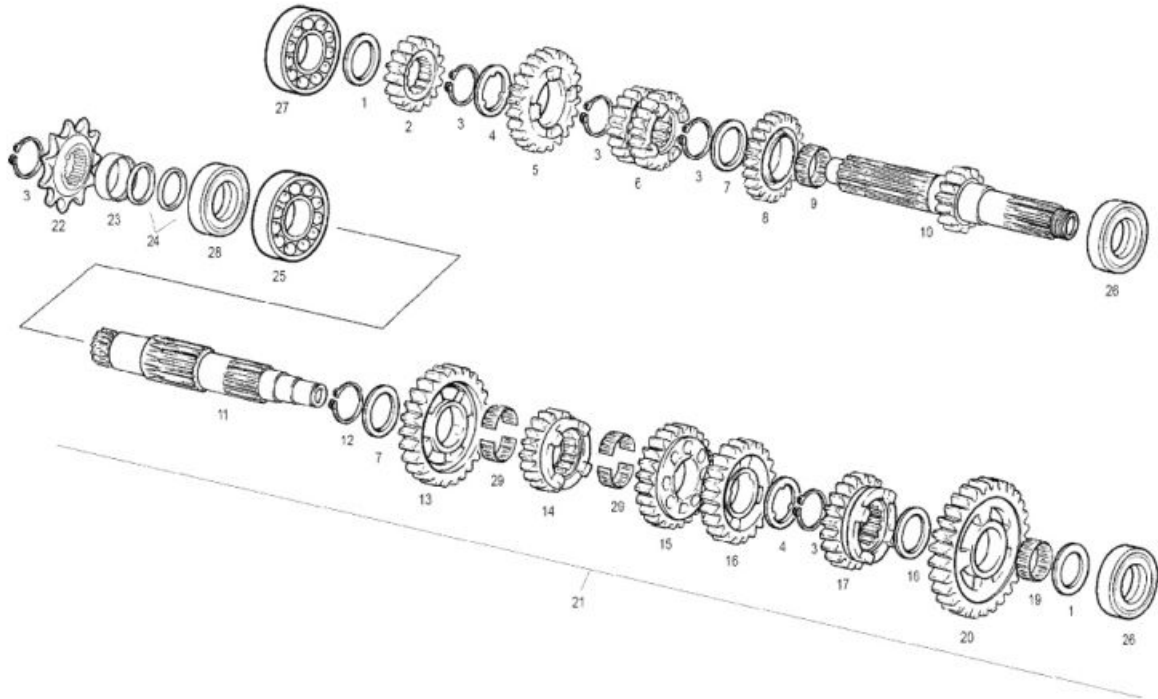
13 RODAM.6202/C3
ME120136057 (u. 1)

14 PIÑON II PRIMARIO Z-15
ME120136071 (u. 1)

15 PIÑON VI PRIMARIO Z-24
ME120136074 (u. 1)

16	ARANDELA PRIMARIO 3 PUNTAS ME120136100 (u. 1)	
17	PIÑON III/IV PRIMARIO Z-17/Z-21 ME120136072 (u. 1)	
18	PIÑON V PRIMARIO Z-23 ME120136073 (u. 1)	
19	EJE PRIMARIO 125CC. ME120136070 (u. 1)	
20	RODAM.6204-ZC4 PRIMARIO ME120136056 (u. 1)	
21	GRUPO CAMBIO COMP.EC125-2005 ME120536010 (u. 1)	OBSOLETO
22	SEEGER EJE 15 EMBR. ME25632017 (u. 1)	
23	VOLANDERA CAMBIO 24x15.15x0.4 ME120136012 (u. 1)	OBSOLETO
24	CASQ.PIÑON SALIDA EC125-2001 ME120136046 (u. 1)	
25	RETEN 28x38x7 DOBLE LABIO PIÑON SALIDA E ME120136024 (u. 1)	
26	RODAM.SEC.6304/C3 ME120136058 (u. 1)	
27	COJINETE TR152512 SECUNDARIO EC125cc ME120136157 (u. 1)	
28	PIÑON SALIDA TG336X13T ME120136025 (u. 1)	
29	FIJADOR COJINETE SALIDA CAMBIO ME120336104 (u. 1)	
30	TORN.UFK 5x10 DRACOMET T0315010 (u. 1)	
	TORN.UFK M5x12 T0315012 (u. 1)	

Cambio 200-250-300



1 ARANDELA 18X31.5X0.7 CAMBIO
ME25636014 (u. 1)

2 PIÑÓN PRIMARIO II Z-16
ME25636071 (u. 1)

3 CIRCLIP D.25 DIN 471
0/000.300.9107 (u. 1)

3 CIRCLIP D.25 DIN 471
ME25936084 (u. 1)

OBSOLETO

4 ARANDELA 31.5X(25X22)X1 SEC.3-4 ESTR.CAM
ME25636091 (u. 1)

5 PIÑÓN PRIMARIO VI Z-24
ME25636074 (u. 1)

6 PIÑÓN PRIMARIO III Y IV
ME25636072 (u. 1)

7 ARANDELA 25.2X31.5X1 CAMBIO
ME25636017 (u. 1)

8 PIÑÓN PRIMARIO V Z-23
ME25636073 (u. 1)

9 COJINETE AGUJAS K25-29-10
M02616000 (u. 1)

OBSOLETO

9 COJINETE AGUJAS K25-29-10
0/000.960.9104 (u. 1)

10 EJE PRIMARIO TT
ME25636070 (u. 1)

OBSOLETO

10 EJE PRIMARIO EC 250-2002
ME250236070 (u. 1)

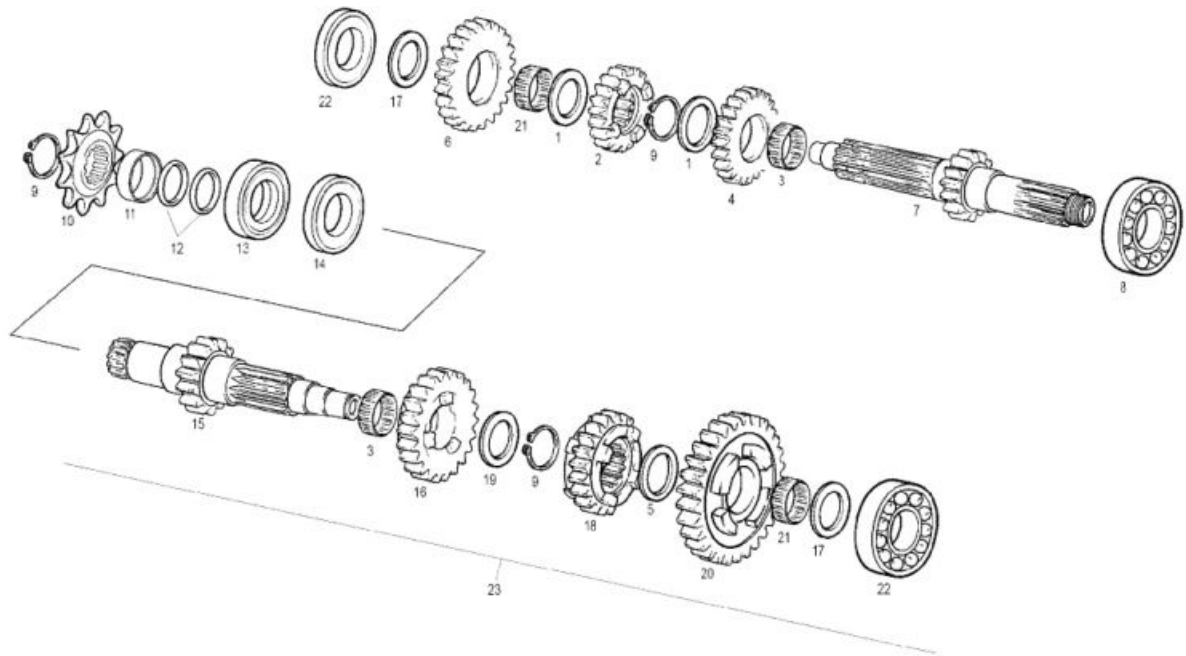
11 EJE SECUNDARIO EC 250-2002
ME250236075 (u. 1)

12 CIRCLIP D.25 DIN 983 =25049255
ME25636095 (u. 1)

13	PIÑÓN SECUNDARIO II 7-26 ME250136077 (u. 1)	
	PIÑÓN SECUNDARIO II Z-26 ME25636077 (u. 1)	OBSOLETO
14	PIÑÓN SECUNDARIO VI Z-19 ME250136081 (u. 1)	
15	PIÑÓN SECUNDARIO III Z-24 ME25636078 (u. 1)	
16	PIÑÓN SECUNDARIO IV Z-22 ME25636079 (u. 1)	
17	PIÑÓN SECUNDARIO V Z-21 ME25636080 (u. 1)	
18	ARANDELA 20.8X29X1 CAMBIO ME25636016 (u. 1)	
19	RODA.AGUJ.K20X24X10 0/000.960.9114 (u. 1)	
	RODA.AGUJ.K20X24X10 ME25636059 (u. 1)	OBSOLETO
20	PIÑÓN SECUNDARIO I Z-29 ME25636076 (u. 1)	
21	CTO. CAMBIO MARCHAS ME40000CT-CSK-1 (u. 1)	OBSOLETO
	GRUPO CAMBIO COMP.EC250-2002 ME250236010 (u. 1)	OBSOLETO
	CTO.CAMBIO COMP.EC-2008 ME40000CT2508 (u. 1)	OBSOLETO
	CTO. CAMBIO MARCHAS 0/005.400.9107 (u. 1)	
22	PIÑÓN SALIDA TG421X13T 0/005.400.9112 (u. 1)	
	PIÑÓN SALIDA TG421X12T MF25836025 (u. 1)	OBSOLETO
	PIÑÓN SALIDA TG421X13T ME25636025 (u. 1)	OBSOLETO
	PIÑÓN SALIDA TG421X12T 0/005.400.9113 (u. 1)	
23	DOLLA RETEN SALIDA CAMBIO 0/000.260.9100 (u. 1)	
	DOLLA RETEN SALIDA CAMBIO ME25636046 (u. 1)	OBSOLETO
24	TORICA 25 X 2 NBR PIÑ SAL. ME25632025 (u. 1)	OBSOLETO
	TORICA 25 X 2 NBR PIÑ SAL. 0/000.490.9107 (u. 1)	
25	RODAM.CAMBIO 6305 C3 ME25636058 (u. 1)	OBSOLETO
	RODAM.CAMBIO 6305 C3 0/000.960.9113 (u. 1)	
26	RODAM.CAMBIO 6203C3 0/000.960.9112 (u. 1)	
	RODAM.CAMBIO 6203C3 ME25636057 (u. 1)	OBSOLETO
27	RODAM.CAMBIO 6205-RSH/C3 ME250136056 (u. 1)	OBSOLETO
	RODAM.CAMBIO 6205-RSH/C3 0/000.960.9106 (u. 1)	

28	RETEN 30X40X7 DOBLE LABIO.PIÑ.SAL. ME25636024 (u. 1)	OBSOLETO
	RETEN 30X40X7 DOBLE LABIO.PIÑ.SAL. 0/000.890.9106 (u. 1)	
29	JAULA AGUJAS KD22x25x9.8 GRUPO CAMBIO 0/005.150.9101 (u. 1)	
	JAULA AGUJAS KD22x25x9.8 GRUPO CAMBIO ME250236102 (u. 1)	OBSOLETO

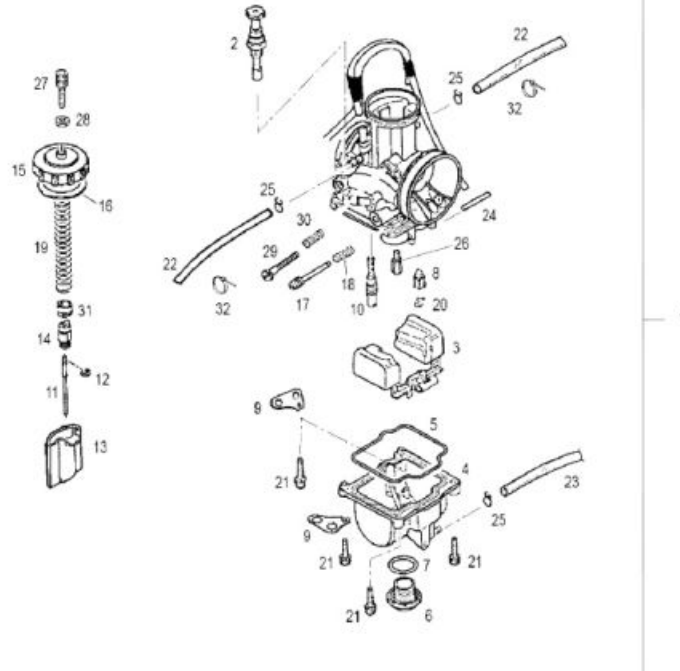
Cambio MC250



1	ARANDELA 20.8X29X1 CAMBIO ME25636016 (u. 1)	
2	PIÑÓN II PRIMARIO Z-18 MC25836071 (u. 1)	OBSOLETO
3	COJINETE AGUJAS K25-29-13 EMBR. ME120132031 (u. 1)	
4	PIÑÓN III PRIMARIO Z-20 MC25836072 (u. 1)	OBSOLETO
5	ARANDELA 20.8X29X1 CAMBIO ME25636016 (u. 1)	
6	PIÑÓN IV PRIMARIO Z-23 MC25836073 (u. 1)	OBSOLETO
7	EJE PRIMARIO Z-16 MC25836070 (u. 1)	OBSOLETO
8	RODAM.CAMBIO 6205-RSH/C3 ME250136056 (u. 1)	OBSOLETO
	RODAM.CAMBIO 6205-RSH/C3 0/000.960.9106 (u. 1)	
9	CIRCLIP D.25 DIN 471 0/000.300.9107 (u. 1)	
	CIRCLIP D.25 DIN 471 ME25936084 (u. 1)	OBSOLETO
10	PIÑÓN SALIDA TG421X13T ME25636025 (u. 1)	OBSOLETO
	PIÑÓN SALIDA TG421X13T 0/005.400.9112 (u. 1)	
11	DOLLA RETEN SALIDA CAMBIO ME25636046 (u. 1)	OBSOLETO
	DOLLA RETEN SALIDA CAMBIO 0/000.260.9100 (u. 1)	

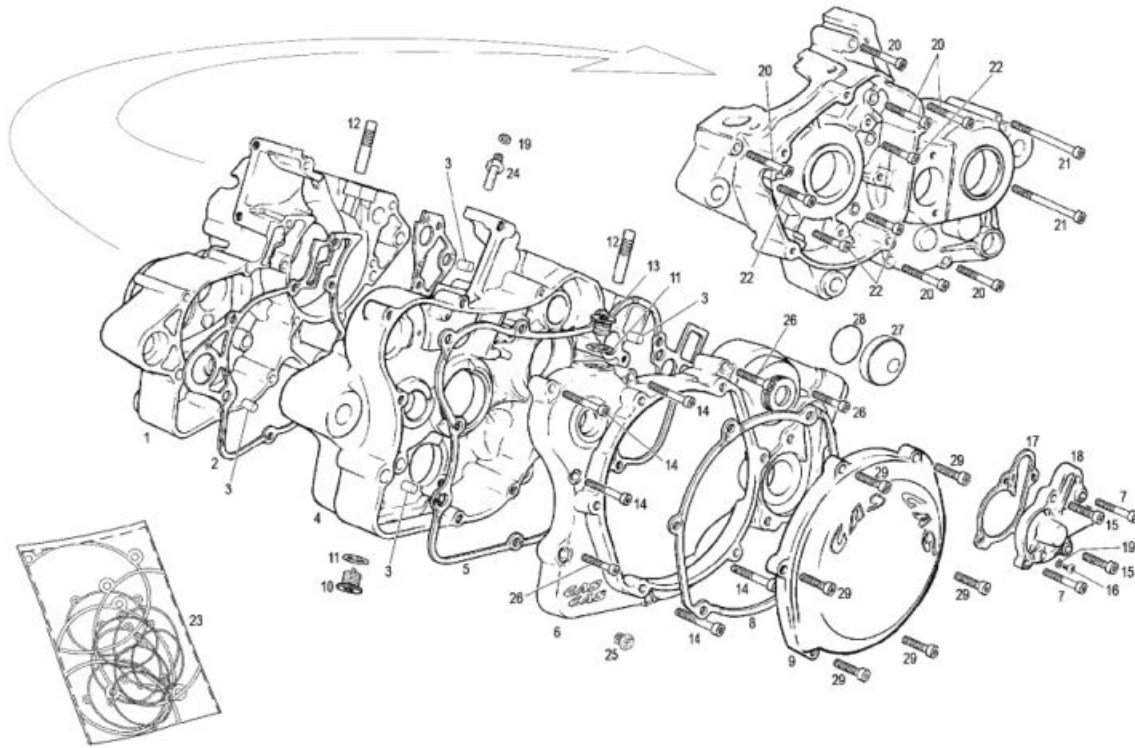
12	TORICA 25 X 2 NBR PIÑ SAL. 0/000.490.9107 (u. 1)	
	TORICA 25 X 2 NBR PIÑ SAL. ME25632025 (u. 1)	OBSOLETO
13	RETEN 30X40X7 DOBLE LABIO.PIÑ.SAL. 0/000.890.9106 (u. 1)	
	RETEN 30X40X7 DOBLE LABIO.PIÑ.SAL. ME25636024 (u. 1)	OBSOLETO
14	RODAM.CAMBIO 6305 C3 ME25636058 (u. 1)	OBSOLETO
	RODAM.CAMBIO 6305 C3 0/000.960.9113 (u. 1)	
15	EJE SECUNDARIO Z-21 MC25836075 (u. 1)	OBSOLETO
16	PIÑON II SECUNDARIO MC25836077 (u. 1)	OBSOLETO
17	ARANDELA 18X31.5X1 REG.PRIMARIO ME25636013 (u. 1)	OBSOLETO
18	PIÑON III SECUNDARIO Z-22 MC25836078 (u. 1)	OBSOLETO
19	ARANDELA 25.2X31.5X1 CAMBIO ME25636017 (u. 1)	
20	PIÑON I SECUNDARIO Z-26 MC25836076 (u. 1)	OBSOLETO
21	COJIENTE CAMBIO 20X24X13 MC25836059 (u. 1)	OBSOLETO
22	RODAM.CAMBIO 6203C3 ME25636057 (u. 1)	OBSOLETO
	RODAM.CAMBIO 6203C3 0/000.960.9112 (u. 1)	
23	GRUPO CAMBIO CROSS 97 MC25736010 (u. 1)	

Carburador



	CARB.EC125-2003 1000-51S-A001 ME120390000 (u. 1)	OBSOLETO
1	CARBURADOR PWK 36S (10FK-A90H-0020) BE780001210 (u. 1)	
	CARB.KEIHIN PWK38 1000-50S-A001 ME300290000 (u. 1) - 250	
2	MANDO ESTARTER 1166-818-2101 ME25690011 (u. 1)	
3	BOYA FLOTADOR W1310-079-9921 ME25690012 (u. 1)	
4	CUBETA FLOTADOR ME25690013 (u. 1)	
5	JUNTA CUBETA 16163-N04-7510-M1 ME25690014 (u. 1)	OBSOLETO
6	TAP.CUBETA 1018-ND4-7511 ME25690015 (u. 1)	
7	TORICA TAP.CUBETA 16173-001-0040 ME25690016 (u. 1)	
8	AGUJA FLOTADOR 1062-814-2103 ME25690017 (u. 1)	
9	SUJ.TUBO RESPIRADERO ME25690018 (u. 1)	
	CHICLE RALENTI 38 (N424-21038) ME25690019 (u. 1) - 250	
	CHICLE RALENTI 48 N424-25048 ME120390048 (u. 1) - 125,200	
10	CHICLE RALENTI 35 (N424-21035) 0/005.991.9100 (u. 1)	
	CHICLE RALENTI 35 (N424-21035) ME25690035 (u. 1)	OBSOLETO

11	AGUJA N1ED (N427-1ED00) ME25690020 (u. 1) - 300	
	AGUJA -N1EC ME25690427 (u. 1)	
12	CLIP AGUJA 16115-169-0040 ME25690021 (u. 1)	
13	COMPUERTA N\$7 N502-27F00 ME25690022 (u. 1)	
14	FIJADOR AGUJA-CABLE 1101-804-2001 ME25690023 (u. 1)	
15	TAP.COMPUERTA 1030-841-2101 ME25690024 (u. 1)	OBSOLETO
16	JUNTA TAP.COMP.16110-ND5-7610-M1 ME25690025 (u. 1)	
17	TORN.REGUL.AIRE W1446-231-9900 ME25690028 (u. 1)	
18	MUELLE TORN.REG.AIRE W1711-416-9900 ME25690029 (u. 1)	
19	MUELLE COMPUERTA 1290-920-2000 ME25690026 (u. 1)	
20	CLIP NIVEL FLOTADOR 0405-019-1000 ME25690027 (u. 1)	
21	TORN.CUBETA N114-04163 ME25690030 (u. 1)	
22	TUBO RESPIRADERO 95003-0704831 ME25690031 (u. 1)	
23	TUBO RESPIRADERO 95003-05033-31 ME25690032 (u. 1)	
24	EJE FLOTADOR W9525-25250 ME25690033 (u. 1)	
25	CLIP TUBO RESPIRADERO W9535-35000 ME25690034 (u. 1)	
26	CHICLE ALTA 182 ME25690182 (u. 1) - 300	
	CHICLE ALTA 185 (99101-357-1850) ME25690185 (u. 1)	OBSOLETO
27	SENSOR CABLE 1036-804-2000 ME25690036 (u. 1)	
28	TUERCA SENSOR CABLE W1793-130-9900 ME25690037 (u. 1)	OBSOLETO
29	TORN.REGUL.RALENTI 1034-853-2000 ME25690038 (u. 1)	
30	MUELLE TORN.REG.1290-963-2000 ME25690039 (u. 1)	
31	CASQ.MUELLE COMP.1118-929-7000 ME25690040 (u. 1)	
32	BRIDA UNEX 2244 4.8X20 BE25634009 (u. 1)	OBSOLETO
	BRIDA UNEX NYLON 2244 4.8X20 0/000.660.9105 (u. 1)	
	ABRAZADERA INSTALACION 0/000.680.0060 (u. 1)	

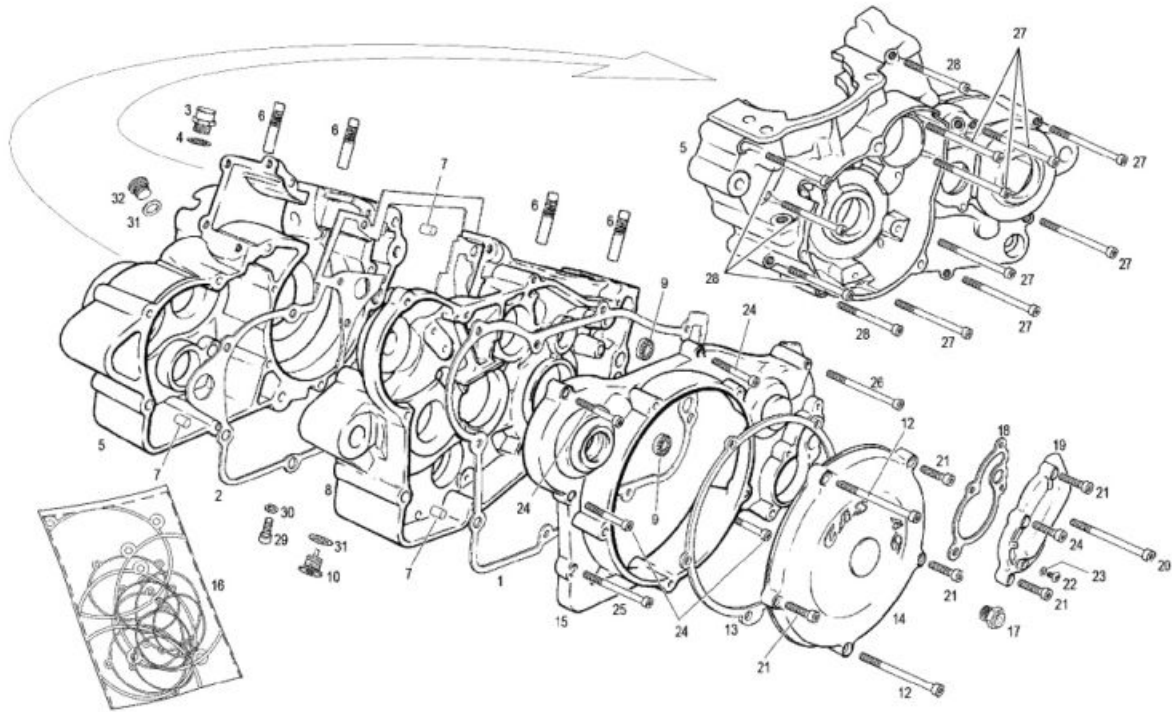
Carter de motor 125


1	CARTER IZQ.EC125-2002 ME120310001 (u. 1)	
2	JUNTA CARTER CENT.EC125-2001 ME120144001 (u. 1)	
3	CASQ.CENTRADOR CARTER 6X9X14 =ME25610018 M01017000 (u. 1)	OBSOLETO
3	CASQ.CENTRADOR CARTER 6X9X14 =ME25610018 0/000.480.9119 (u. 1)	
	CASQ.CENTRADOR CARTER 14X9X6IN =M0101700 ME25610018 (u. 1)	OBSOLETO
4	CARTER DCH.EC125-2004 ME120410000 (u. 1)	
5	JUNTA TAPA EMBR.0.5MM ME120144002 (u. 1)	
6	TAPA EMBR.EC125-2003 ME120332001 (u. 1)	
7	ALLEN 6X60 12.9 T0306060 (u. 1)	OBSOLETO
7	ALLEN 6X60 DIN 912 ZINC 12.9 0/000.460.9150 (u. 1)	
8	JUNTA TAPA DISCOS 0.8 ME120144003 (u. 1)	
9	TAPA DISCOS EMBR.MAGNESIO ME120132002 (u. 1)	OBSOLETO
9	TAPA DISCOS EMBR.MAGNESIO 125 2014 ME22010GG-BZV-1 (u. 1)	
10	TAP.LLENADO ACEITE =ME25610016 M01016002 (u. 1)	
10	TAPON VACIADO ACEITE+IMAN ME25610017 (u. 1)	

11	ARANDELA TIPO BUJIA 12X18X2 MT280410030 (u. 1)	OBSOLETO
	ARANDELA TIPO BUJIA 12X18X2 0/000.440.9114 (u. 1)	
12	ESPARRAGO CIL.EC125-2001 M8 ME120116023 (u. 1)	
13	TAP.LLENADO ACEITE =ME25610016 M01016002 (u. 1)	OBSOLETO
	TAPON VACIADO ACEITE+IMAN ME25610017 (u. 1)	
	TAP.LLENADO ACEITE =M01016002 ME25610016 (u. 1)	
14	ALLEN 6x30 12.9 T0306030 (u. 1)	
15	ALLEN 6X25 TA.EMB,CART,SUSP.12.9 T0306025 (u. 1)	
16	ULS 6X10 DIR. T0506010 (u. 1)	OBSOLETO
17	JUNTA TAPA BOMBA AGUA EC125-2001(FOAMET) ME120144008 (u. 1)	
18	TAPA BOMBA AGUA EC125-2001 ME120110008 (u. 1)	
19	ARANDELA FIBRA 6X10X1.5 T4006010 (u. 1)	OBSOLETO
	ARANDELA FIBRA 6X10X1.5 0/000.440.9123 (u. 1)	
20	ALLEN 6X55 12.9 T0306055 (u. 1)	OBSOLETO
	ALLEN 6X50 DIN 912 12.9 COMPLETAMENTE ROSCADO GEOMET T0306050 (u. 1)	
21	ALLEN 6X70 12.9 T0306070 (u. 1)	
22	ALLEN 6x45 DIN 912 ZINC 12.9 0/000.460.9149 (u. 1)	OBSOLETO
	ALLEN 6x45 12.9 T0306045 (u. 1)	
23	KIT JUNTAS EC.125 2001 ME120144100 (u. 1)	
24	DESVAP.CARTER D.3=ME25610012 M01032001 (u. 1)	OBSOLETO
	DESVAP.CARTER D.3=ME25610012 0/000.630.9105 (u. 1)	
25	VISOR NIVEL ACEITE =M01016110 ME25610015 (u. 1)	OBSOLETO
26	ALLEN 6x40 DIN 912 ZINC 12.9 0/000.460.9148 (u. 1)	OBSOLETO
	ALLEN 6x40 12.9 (DIN 912) T0306040 (u. 1)	
27	TAP.EJE CENTRIFUGO EC125-2003 ME120332085 (u. 1)	OBSOLETO
28	TORICA TAP.EJE CENTRIFUGO 28.3x1.78 EC12 ME120332086 (u. 1)	

	TORN.ESP.6x20 10.9 ZINC.(CEX) T0206020 (u. 1)	OBSOLETO
29	ALLEN 6X20 12.9 T0306020 (u. 1)	
	TORN.ESP.6x20 DIN 6921 GEOMET 10.9 0/000.460.9120 (u. 1)	

Carter de motor 200-250-300

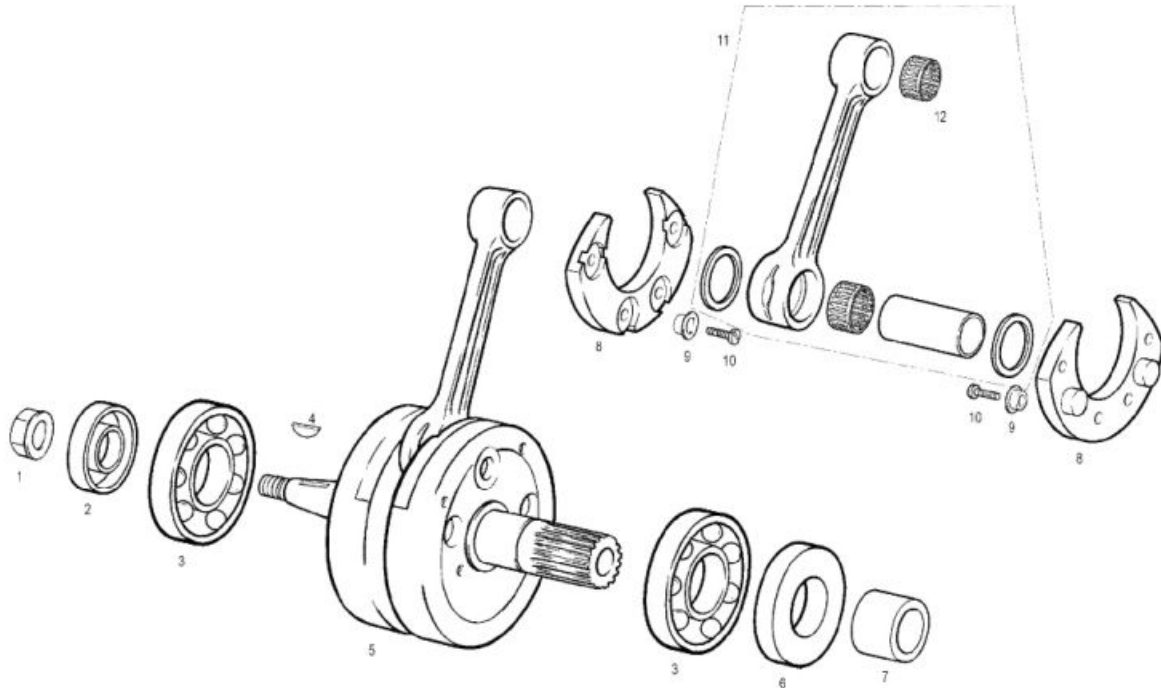


1	JUNTA TAPA EMBR.0.5mm ME25644002 (u. 1)	OBSOLETO
	JUNTA TAPA EMBR.0.5mm 0/000.490.9108 (u. 1)	
2	JUNTA CARTER CENT.2005 ME250544001 (u. 1) - 250,300	
3	RACORD ENTRADA AGUA ME25610013 (u. 1) - 250,300	
4	ARAN.FIBRA 14X20X2 RACORD ENTRADA AGUA = ME25610014 (u. 1) - 250,300	
5	CARTER IZQ.EC250-2011 ME110002511 (u. 1)	OBSOLETO
	CARTER IZQ.EC250-2005 ME250510001 (u. 1)	OBSOLETO
	CARTER IZQ.EC200-2005 ME200510001 (u. 1) - 200	
6	ESPARRAGO CIL. 0/000.280.9100 (u. 1)	
	ESPARRAGO CIL. ME25616023 (u. 1)	OBSOLETO
7	CASQ.CENTRADOR CARTER 6X9X14 =ME25610018 M01017000 (u. 1)	OBSOLETO
	CASQ.CENTRADOR CARTER 14X9X6IN =M0101700 ME25610018 (u. 1)	OBSOLETO
	CASQ.CENTRADOR CARTER 6X9X14 =ME25610018 0/000.480.9119 (u. 1)	

8	CARTER DCH.O.EC250-2005 ME250510000 (u. 1)	OBSOLETO
	CARTER DCH.O.EC250 2011 ME100002511 (u. 1)	OBSOLETO
	CARTER DCH.O.EC200-2005 ME200510000 (u. 1) - 200	
9	RODA.EJE CENTRI.Y BOMBA 608.Z.C3 ME25616032 (u. 1)	OBSOLETO
	RODA.EJE CENTRI.Y BOMBA 608.Z.C3 0/000.960.9108 (u. 1)	
10	TAPON VACIADO ACEITE+IMAN ME25610017 (u. 1) - 250,300	
12	ALLEN 6X75 12.9 T0306075 (u. 1)	OBSOLETO
13	JUNTA TAPA DISCOS 0.8 (MATERIAL CS5208) ME25644003 (u. 1) - 250,300	
14	TAPA DISCOS EMBR. ME250332002 (u. 1)	OBSOLETO
	TAPA DISCOS EMBRAGUE GRIS 0/000.350.9105 (u. 1)	
	TAPA DISCOS EMBR.EC-2007 ME250732002 (u. 1)	OBSOLETO
	TAPA DISCOS EMBRAGUE GRIS ME22010GG-CLJ-1 (u. 1)	OBSOLETO
15	TAPA BOMBA AGUA EC-2010 ME570002510 (u. 1)	
	TAPA EMBR.EC2001 ME250132001 (u. 1)	OBSOLETO
16	KIT JUNTAS 200-250-300 2005 ME250544100 (u. 1) - 250,300	
17	VISOR NIVEL ACEITE =M01016110 ME25610015 (u. 1)	OBSOLETO
18	JUNTA TAPA BOMBA AGUA ME25944008 (u. 1) - 250,300	
19	TAPA BOMBA AGUA TT-99 ME25910008 (u. 1)	OBSOLETO
20	ALLEN 6X80 12.9 T0306080 (u. 1)	OBSOLETO
	TORN.ESP.6X80 8.8 DRACOMET T0206080 (u. 1)	OBSOLETO
21	ALLEN 6X25 TA.EMB,CART,SUSP.12.9 T0306025 (u. 1) - 250,300	
22	ULS 6X10 DIR. T0506010 (u. 1)	OBSOLETO
23	ARANDELA FIBRA 6X10X1.5 0/000.440.9123 (u. 1)	
	ARANDELA FIBRA 6X10X1.5 T4006010 (u. 1)	OBSOLETO
24	ALLEN 6x30 12.9 T0306030 (u. 1) - 250,300	
25	ALLEN 6X35 12.9 T0306035 (u. 1) - 250,300	
26	ALLEN 6X50 DIN 912 12.9 COMPLETAMENTE ROSCADO GEOMET T0306050 (u. 1)	OBSOLETO
	ALLEN 6X55 12.9 T0306055 (u. 1)	OBSOLETO

27	ALLEN 6X70 12.9 T0306070 (u. 1) - 250,300	
28	ALLEN 6X60 DIN 912 ZINC 12.9 0/000.460.9150 (u. 1)	
	ALLEN 6X60 12.9 T0306060 (u. 1)	OBSOLETO
29	ALLEN 8X14 T0308014 (u. 1) - 250,300	
30	ARANDELA COBRE 8X12X1,5 DIN 125 A ISO 7089 0/000.440.9128 (u. 1)	
	ARANDELA COBRE 8X12X1,5 TORN.VAC.CAM.PRE T4008012 (u. 1)	OBSOLETO
31	ARANDELA TIPO BUJIA 12X18X2 MT280410030 (u. 1)	OBSOLETO
	ARANDELA TIPO BUJIA 12X18X2 0/000.440.9114 (u. 1)	
32	TAP.LLENADO ACEITE =ME25610016 M01016002 (u. 1) - 250,300	
	TAPON VACIADO ACEITE+IMAN ME25610017 (u. 1)	

Cigüeñal 125

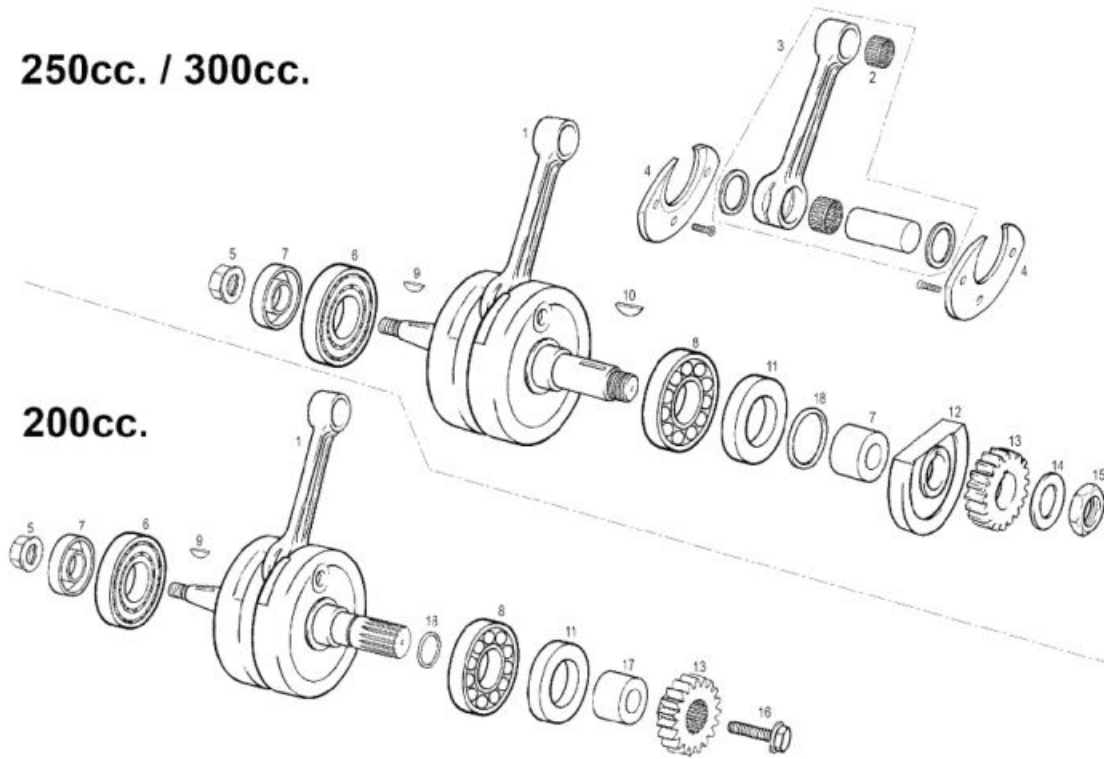


1	TUERCA VOLANTE EC400 4T M12x1.25 10.9 MFS400134011 (u. 1)	
2	RETEN LADO IZ.CIG.TCJ 20x35x6/6.5 ME250112009 (u. 1)	OBSOLETO
2	RETEN LADO IZ.CIG.TCJ 20x35x6/6.5 0/000.890.9103 (u. 1)	
3	ROD.CIGUEÑAL SKF 63/22 HN3C403LVK311 ME120112006R (u. 1)	
3	RODAM.CIGUEÑAL 125cc 63/22C3 ME120112006 (u. 1)	OBSOLETO
4	CHAVETA VOLANTE =M01224001 ME25634016 (u. 1)	
5	CIGUEÑAL EC125-2001 ME120112000 (u. 1)	
6	RETEN DCH.O.CIG.TB2J 32 45 6.5 ME120112008 (u. 1)	
7	CASQ.CIGUEÑAL TRANS.PRIM. ME120112014 (u. 1)	OBSOLETO
8	NYLON CONTRAPESO EC125-2001 ME120112021 (u. 1)	
9	CASQ.NYLON CONTRAPESO EC125cc ME120112011 (u. 1)	
10	ULS 6x16 ISO 7380-1 NEGRO 12.9 0/000.460.9156 (u. 1)	
10	TORN.ULS 6x16 PL.PRIM,GUAR,FIL NG. T0506016N (u. 1)	OBSOLETO
11	BIELA TT125-2001 (CONROD KIT VA-6005) ME120112100 (u. 1)	
12	COJINETE 152018BL2 KOYO PIE BIELA 21.221 ME120116035 (u. 1)	

Cigüeñal 200-250-300

250cc. / 300cc.

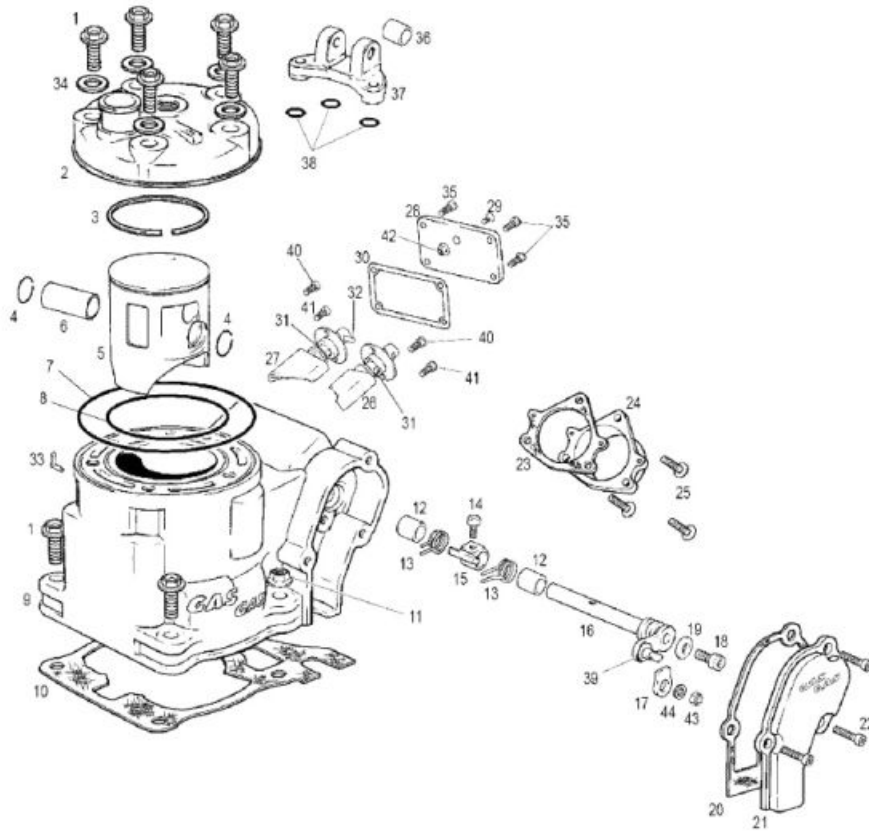
200cc.



1	CIGUEÑAL EC200-2005 ME200512000 (u. 1) - 200	
	CTO.CIGUEÑAL EC250-2002 ME250212000 (u. 1) - 250,300	
2	ROD.RV.18X22X21,8 S PIE DE BIELA ME25616035 (u. 1)	
3	CTO.BIELA ENDURO ME25612100 (u. 1)	
	NYLON CONTRAPESO ME20812021 (u. 1)	OBSOLETO
4	NYLON CONTRAPESO CIGUEÑAL 250 -300 0/005.075.9101 (u. 1)	
	NYLON CONTRAPESO CIGUEÑAL EC250-2002 ME250212021 (u. 1)	OBSOLETO
	NYLON CONTRAPESO CIGUEÑAL 200 0/005.075.9100 (u. 1)	
5	TUERCA VOLANTE EC400 4T M12x1.25 10.9 MFS400134011 (u. 1)	
	TUERCA VOLANTE M12x1,25 COD.DC12FF1 8.8 MC25934011 (u. 1)	OBSOLETO
6	RODAM.NJ 206 ETC3 CIGUEÑAL ME250112013 (u. 1)	
7	RETEN LADO IZ.CIG.TCJ 20x35x6/6.5 ME250112009 (u. 1)	OBSOLETO
	RETEN LADO IZ.CIG.TCJ 20x35x6/6.5 0/000.890.9103 (u. 1)	
8	RODAM.CIGUEÑAL 200 cc.63/28 C3 ME20912006 (u. 1)	
9	CHAVETA VOLANTE =M01224001 ME25634016 (u. 1)	

10	CHAVETA CIGUEÑAL =M01223000 ME25612010 (u. 1)	
11	RETEN DCH.O.CIGUEÑAL TB2J 38-52 7 ME250112008 (u. 1)	OBSOLETO
	RETEN DCH.O.CIGUEÑAL TB2J 38-52 7 0/000.890.9102 (u. 1)	
12	INERCIA VOLANTE EC-2001 ME250112017 (u. 1)	OBSOLETO
13	PIÑON CIGUEÑAL TRANS.PRIM. ME25612004 (u. 1)	OBSOLETO
	CTO.CORONA-PIÑON EMBR.ENDURO 250-300 2014 0/005.400.9104 (u. 1)	
	CTO.CORONA EMBR.ENDURO 250-300 2014 ME21000CT-CAB-1 (u. 1)	OBSOLETO
14	PIÑON CIGUEÑAL TRANS.PRIMA.Z19 200-99 ME20912004 (u. 1) - 200	
	ARANDELA DIN 125 PULIDA D-20 ZINC 40-42HRC 0/000.440.9108 (u. 1)	
15	ARAN.BISEL.D.20 / 125-B-M 5.6 PULIDA PIÑ ME25632019 (u. 1)	OBSOLETO
	TUERCA BLOCAJE PIÑON CIGUEÑAL EC-2000 0/000.340.9106 (u. 1)	
16	TUERCA BLOCAJE PIÑON CIGUEÑAL EC-2000 ME250032018 (u. 1)	OBSOLETO
	TORN.ESP.12X25X1.25 FIL.20 12.9 T02012025 (u. 1)	OBSOLETO
17	TORN.ESP.12X25X1.25 FIL.20 12.9 GEOMET 0/000.460.9114 (u. 1)	
	CASQ.CIGUEÑAL 25X38X20 0/000.480.9127 (u. 1)	
	CASQ.CIGUEÑAL 25X38X20 ME200512014 (u. 1)	OBSOLETO
18	CASQ.CIGUEÑAL 25x38x17 ME250112014 (u. 1) - 250,300	
	JUNTA TORICA 20X1 ST950207 (u. 1)	OBSOLETO
	TORICA CIGUEÑAL 23x2 NBR ME250112011 (u. 1) - 250,300	

Cilindro 125

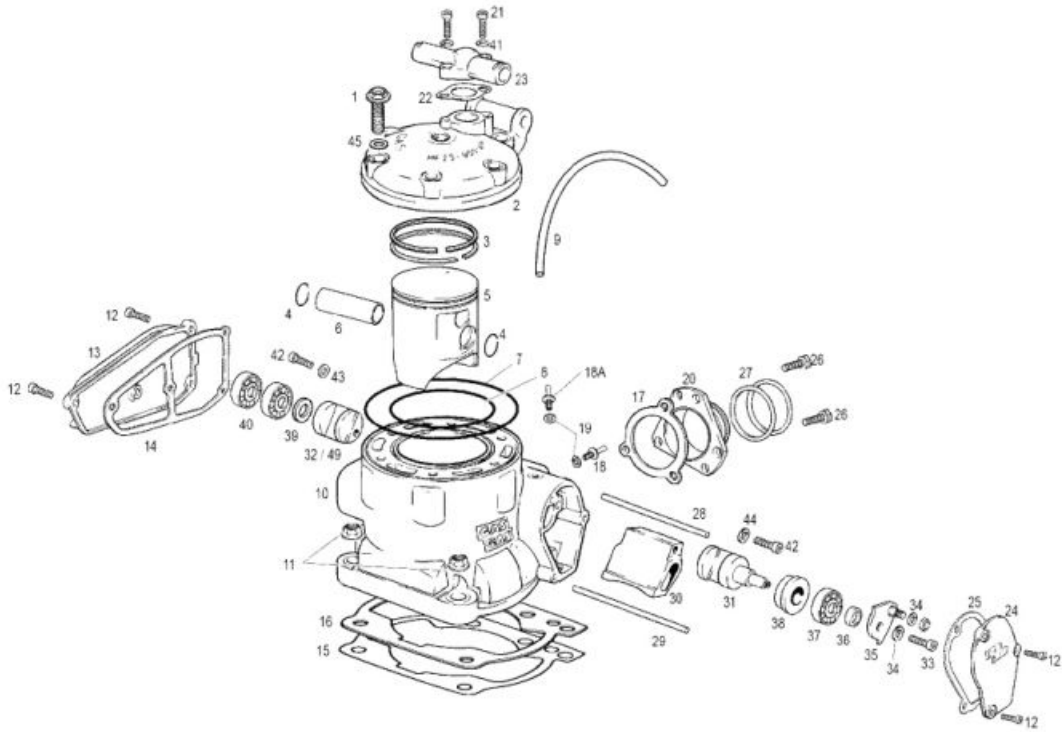


1	TORN.ESP.8X40 8.8 ZINC. T0208040 (u. 1)	OBSOLETO
	CULATA TT125-2003 ME120316000 (u. 1)	OBSOLETO
2	CULATA CR125-2003 MC120316000 (u. 1)	OBSOLETO
	CULATA EC125-2009 ME750001209 (u. 1)	
3	ARO PISTON 1N 0.8 ME120516040 (u. 1)	OBSOLETO
	PISTON A 125-2010 ARO DE 1mm. ME710001210 (u. 1)	
4	CLIP PISTO TT 125 ME120116126 (u. 1)	OBSOLETO
	PISTON A 125-2010 ARO DE 1mm. ME710001210 (u. 1)	
	PISTON PLANO 1 AROS 125 2005 ME120516020 (u. 1)	OBSOLETO
5	PISTON B 125-2010 ARO DE 1mm.53.96 ME710051210 (u. 1)	
	PISTON PLANO 125 2005 D 53.98 ME120516123 (u. 1)	OBSOLETO
	PISTON PLANO 1 AROS 125 2005 B ME120516121 (u. 1)	OBSOLETO
	PISTON PLANO 125 2005 C 53.97 ME120516122 (u. 1)	OBSOLETO
6	BULON PISTON TT 125cc ME120116125 (u. 1)	
7	TOR.CUL.EXT.1.78x91.7=MO1619216 ME120116060 (u. 1)	

8	TORICA CULATA INT.VITON 1.78x63.22 ME120116065 (u. 1)	
9	CIL.ENDURO 125-2009 ME700001209 (u. 1) CIL.125 2005 ME120516022 (u. 1)	OBSOLETO
10	JUNTA CIL.EC125cc BELPA CSA 25 0.50mm ME120144000 (u. 1) JUNTA CIL.TT125-2001 0.15 ME120144010 (u. 1) JUNTA CIL.0.3 ME120144009 (u. 1)	
11	TUERCA CIL.M8 DC08FN1 ME120116031 (u. 1)	
12	CASQ.EJE VALV.ESCAPE EC125-2001 ME120116051 (u. 1)	
13	MUELLE EJE VALV.ESCAPE EC125-2001 ME120116052 (u. 1)	OBSOLETO
14	ALLEN 4x8 DIN 912 ZINCADO PLATA 8.8 T0304008 (u. 1)	
15	PALANCA MUELLES VALV.ESCAPE EC125-2001 ME120116053 (u. 1)	OBSOLETO
16	EJE VALV.ESCAPE CIL.EC125-2001 ME120116017 (u. 1)	OBSOLETO
17	PLANCHA FIJADOR EJE VALV.ESCAPE/CIL. ME120116114 (u. 1)	OBSOLETO
18	ALLEN 5X10 DIN 912 ZINC 12.9 0/000.460.9145 (u. 1) ALLEN 5X10 T0305010 (u. 1)	OBSOLETO
19	ARANDELA 5X12X1.5 T4005012 (u. 1) ARANDELA 5X12X1.5 DIN 125A ZINC 0/000.440.9121 (u. 1)	OBSOLETO
20	JUNTA TAPA VALV.DCH.O.1mm ME120144007 (u. 1)	
21	TAPA VALV.DCH.A.EC125-2001 ME120110002 (u. 1)	
22	ALLEN 5x12 T0305012 (u. 1)	
23	JUNTA ESCAPE EC125-2001 ME120144012 (u. 1)	
24	TUBERA ESCAPE INOX.EC125-2003 ME120316019 (u. 1)	
25	EXAG.6x14+ARANDELA INCORP. T0206014 (u. 1) EXAG+ARANDELA 6x14 DIN 6921 0/000.460.9118 (u. 1)	OBSOLETO
26	VALV.ESCAPE DCH.EC125 2005 ME120516016 (u. 1)	OBSOLETO
27	VALV.ESCAPE IZQ.EC125 2005 ME120516014 (u. 1)	OBSOLETO
29	ALLEN+6X10 T0406010 (u. 1)	OBSOLETO
30	JUNTA TAPA VALV.CENT.EC125-2001 ME120144006 (u. 1)	

31	GUIA VALV.125 2005 ME120516054 (u. 1)	OBSOLETO
32	AGUJA VALV.ESCAPE 4x19.8 ME120216055 (u. 1)	OBSOLETO
33	DESVAP.11375.00.838 MIT50010012 (u. 1)	
34	ARANDELA COBRE 8.5x16x1.5 DIN 125 A ISO 7090 0/000.440.9130 (u. 1)	
	ARANDELA COBRE 8.5x16x1.5 T4008516 (u. 1)	OBSOLETO
35	ULS 5X10 BN13255 10.9 LAMINAS ZIN. T0505010 (u. 1)	OBSOLETO
	0/000.460.2000 (u. 1)	
36	CASQ.SOP.TIRANTE CULATA CROSS BC120310149 (u. 1)	OBSOLETO
37	SOP.TIRANTES CULATA CROSS 125-2003 BC120310049 (u. 1) - MC125	
38	TORICA SOP.TIRANTE CULATA 12.42x1.78 CRO BC120310170 (u. 1) - MC125	
39	PALANCA VALV.ESCAPE CTO.EC 125 ME120116050CT (u. 1)	
	PALANCA VALV.ESCAPE EC125-2001 ME120116050 (u. 1)	OBSOLETO
40	ALLEN 5x12 T0305012 (u. 1)	
41	TORN.UFK M5x12 T0315012 (u. 1)	
	TORN.UFK 5x10 DRACOMET T0315010 (u. 1)	
42	TUERCA+ARAN.M-6 ESTR. DIN 6923 ZINC 8 0/000.340.9116 (u. 1)	
	TUERCA+ARAN.M-6 (DIN 6923) ESTR. T2206000 (u. 1)	OBSOLETO
43	TUERCA AUTOBL.M-5 ALTA T2105001 (u. 1)	
44	ARANDELA 5X12X1.5 DIN 125A ZINC 0/000.440.9121 (u. 1)	
	ARANDELA 5X12X1.5 T4005012 (u. 1)	OBSOLETO

Cilindro 200-250-300



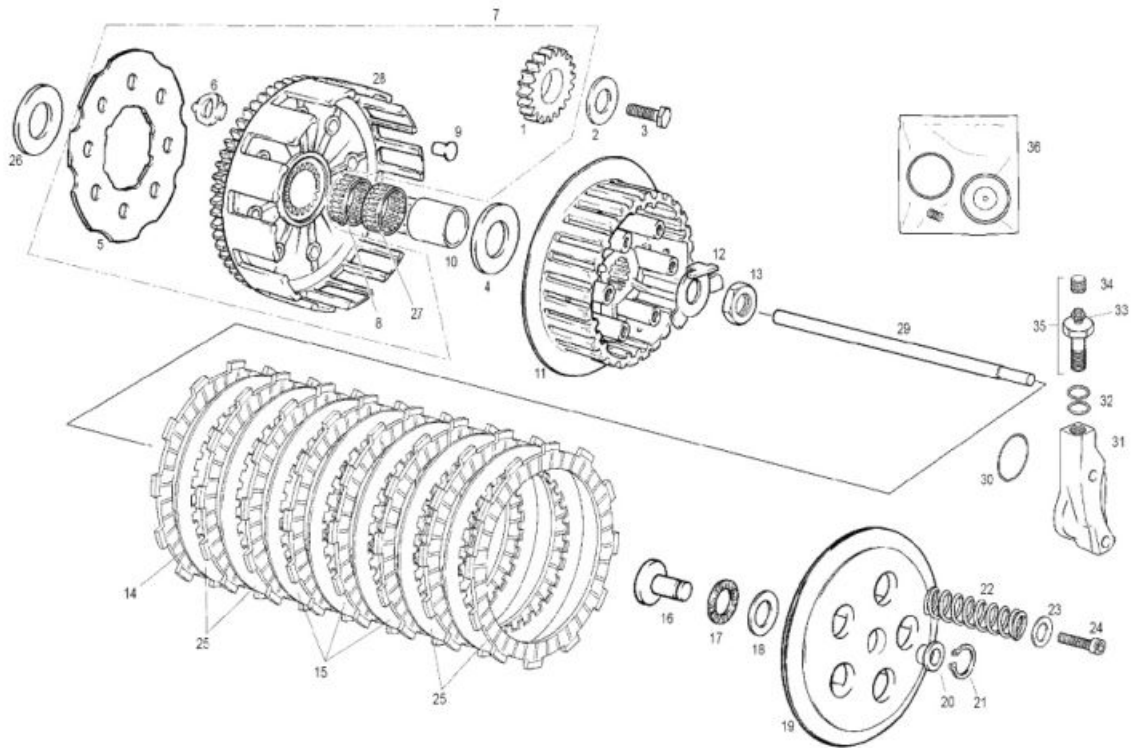
2	CULATA EC250- 2000 ME250016000 (u. 1)	
	CULATA CR250-2001 MC250116000 (u. 1)	OBSOLETO
3	JUEGO AROS PISTON TT 250 ME25616040 (u. 1)	
4	JUEGO CLIP BULON TT 250 ME25616126 (u. 1) - 250	
5	PISTON TT 200 62.48 D ME20816123 (u. 1)	OBSOLETO
	PISTON TT 200 62.46 B ME20816121 (u. 1) - 200	
	PISTON TT 300 71.95 B ME300416121 (u. 1) - 300	
	PISTON TT 200 62.47 C ME20816122 (u. 1)	OBSOLETO
	PISTON 250 ENDURO B ME25616121R (u. 1) - 250	
	PISTON TT 250 66.33 NOIR ME25616020R (u. 1)	
6	PISTON TT 250 66.33 ME25616020 (u. 1)	OBSOLETO
	PISTON TT 200 62.50 F ME20816125 (u. 1) - 200	
	PISTON 66.35 250 ENDURO C ME25616122R (u. 1) - 250	
	BULON PISTON TT 250 ME25616125 (u. 1) - 250	

7	TORICA CULATA EXT.107.67x1.78 ME25916060 (u. 1)	OBSOLETO
	TORICA CULATA EXT.107.67x1.78 0/000.490.9109 (u. 1)	
8	TORICA CULATA INT.VITON 72.7x1.78 0/000.490.9110 (u. 1)	OBSOLETO
	TORICA CULATA INT.VITON 72.7x1.78 ME25916065 (u. 1)	
9	TUBO DESV.CARTER (55 cm.) ME25610022 (u. 1) - 250	
10	CIL.TT 99 ME25916022 (u. 1)	OBSOLETO
	CIL.EC 250 C.C.2013 ME700002513 (u. 1)	
11	TUERCA CIL.8.8 ESP.10/150 C13 =ME2561603 M01613001 (u. 1)	OBSOLETO
	TUERCA DIN 6923 ZINC 8.8 ESP.10/150 C13 0/000.340.9105 (u. 1)	
12	ALLEN 5x15 DRACOMET T0305015 (u. 1)	OBSOLETO
	ALLEN 5x16 DRACOMET T0305016 (u. 1)	
13	TAPA VALV.IZQ.TT 250 CAQUI ME25610003 (u. 1) - 250	
14	JUNTA TAPA VAL.IZDA. ME25644006 (u. 1) - 250	
15	JUNTA CIL.0.15 ME25644010 (u. 1) - 250	
16	JUNTA CIL.BELPA CSA 25 0.50mm ME25644000 (u. 1) - 250	
	JUNTA CIL.0.3 ME25644009 (u. 1) - 250	
17	JUNTA ESCAPE ME25644012 (u. 1) - 250	
18	DESVAP.CARTER D.3=ME25610012 0/000.630.9105 (u. 1)	OBSOLETO
	DESVAP.CARTER D.3=ME25610012 M01032001 (u. 1)	
	DESVAP.CARTER D.0.50 97 ME25710012 (u. 1) - 250	
	DESVAP.CARTER D.3 =M01032001 ME25610012 (u. 1)	
18	DESVAP.CARTER D.0.50 97 ME25710012 (u. 1) - 250	
19	ARANDELA FIBRA 6X10X1.5 T4006010 (u. 1)	OBSOLETO
	ARANDELA FIBRA 6X10X1.5 0/000.440.9123 (u. 1)	
20	TUBERA ESCAPE 2005 ME250516019 (u. 1) - 250	
21	TORN.ESP.6x20 10.9 ZINC.(CEX) T0206020 (u. 1)	OBSOLETO
	ALLEN 6X20 12.9 T0306020 (u. 1) - 250	
	TORN.ESP.6x20 DIN 6921 GEOMET 10.9 0/000.460.9120 (u. 1)	

22	JUNTA TAPA TERMOSTATO ME25944011 (u. 1) - 250	
23	TAPA TERMOSTATO ENDUCROSS 2003 ME250316001 (u. 1) - 250	
24	TAPA VALV.IZQ.EC 2013 0/000.350.9104 (u. 1)	
	TAPA VALV.DCH.TT 250 ME25610002 (u. 1)	OBSOLETO
24	TAPA VALV.IZQ.EC 2013 ME100033013 (u. 1)	OBSOLETO
25	JUNTA TAPA VAL.DCH.1mm ME25644007 (u. 1) - 250	
26	EXAG.6x14+ARANDELA INCORP. T0206014 (u. 1)	OBSOLETO
	EXAG+ARANDELA 6x14 DIN 6921 0/000.460.9118 (u. 1)	
27	TORICA TUBERA ESCAPE 44X3 FP (viton) BE250526006 (u. 1) - 250	
28	EJE VALV.ESCAP LARGO 93mm. ME25616027 (u. 1) - 250	
29	EJE VALV.ESCAPE CORTO 83mm. ME25616017 (u. 1) - 250	
30	VALV.ESCAPE CENT. ME25616015 (u. 1) - 200,250	
31	VALV.ESCAPE DCH.A.(LARGA) ME25616016 (u. 1) - 250	
32	VALV.ESCAPE IZDA.(CORTA) ME25616014 (u. 1) - 250	
33	ALLEN 5x12 T0305012 (u. 1) - 250	
34	ARANDELA 5X12X1.5 T4005012 (u. 1)	OBSOLETO
	ARANDELA 5X12X1.5 DIN 125A ZINC 0/000.440.9121 (u. 1)	
35	CTO.PALANCA VALV.ESCAPE ME25616050 (u. 1) - 250	
36	SEP.COJINETE VALV.ESCAPE ME25916048 (u. 1)	OBSOLETO
37	RODAM.BOMBA AGUA 6000C3Z =M03313001 0/000.960.9107 (u. 1)	
	RODAM.BOMBA AGUA 6000C3Z =M03313001 ME25610010 (u. 1)	OBSOLETO
38	DIST.COJINETE VALV.ESCAPE ME25616036 (u. 1) - 250	
39	ARANDELA DE 8X16X1,5 T4008016 (u. 1)	OBSOLETO
	GUARNIZ. FISSAGGIO TELAIO PARTE POST. 0/000.440.0160 (u. 1)	
40	RODA.EJE CENTRI.Y BOMBA 608.Z.C3 ME25616032 (u. 1)	OBSOLETO
	RODA.EJE CENTRI.Y BOMBA 608.Z.C3 0/000.960.9108 (u. 1)	

	ARANDELA COBRE 6X10X1.5 TORN.VAC.AGUA CI T4006008 (u. 1)	OBSOLETO
41	ARANDELA COBRE 6x10x1.5 TAPA TERMOSTATO ME25916002 (u. 1)	OBSOLETO
	ARANDELA COBRE 6X10X1.5 TORN.VAC.AGUA CI 0/000.440.9122 (u. 1)	
42	ALLEN 6X10 8.8 BOB. T0306010 (u. 1) - 250	
43	ARANDELA 6X18X1.5 (DIN 9021) T4006018 (u. 1)	OBSOLETO
	ARANDELA 6X18X1.5 DIN 9021 ZINC 0/000.440.9126 (u. 1)	
44	ARANDELA PLANA 6X12X1.5 (DIN 125) T4006012 (u. 1)	OBSOLETO
	ARANDELA PLANA 6X12X1.5 DIN 125 ZINC 0/000.440.9124 (u. 1)	
45	ARANDELA COBRE 8.5x16x1.5 T4008516 (u. 1)	OBSOLETO
	ARANDELA COBRE 8.5x16x1.5 DIN 125 A ISO 7090 0/000.440.9130 (u. 1)	
49	VALV.ESCAPE IZQ.HOMOL.EC2006 ME25616014H (u. 1)	OBSOLETO

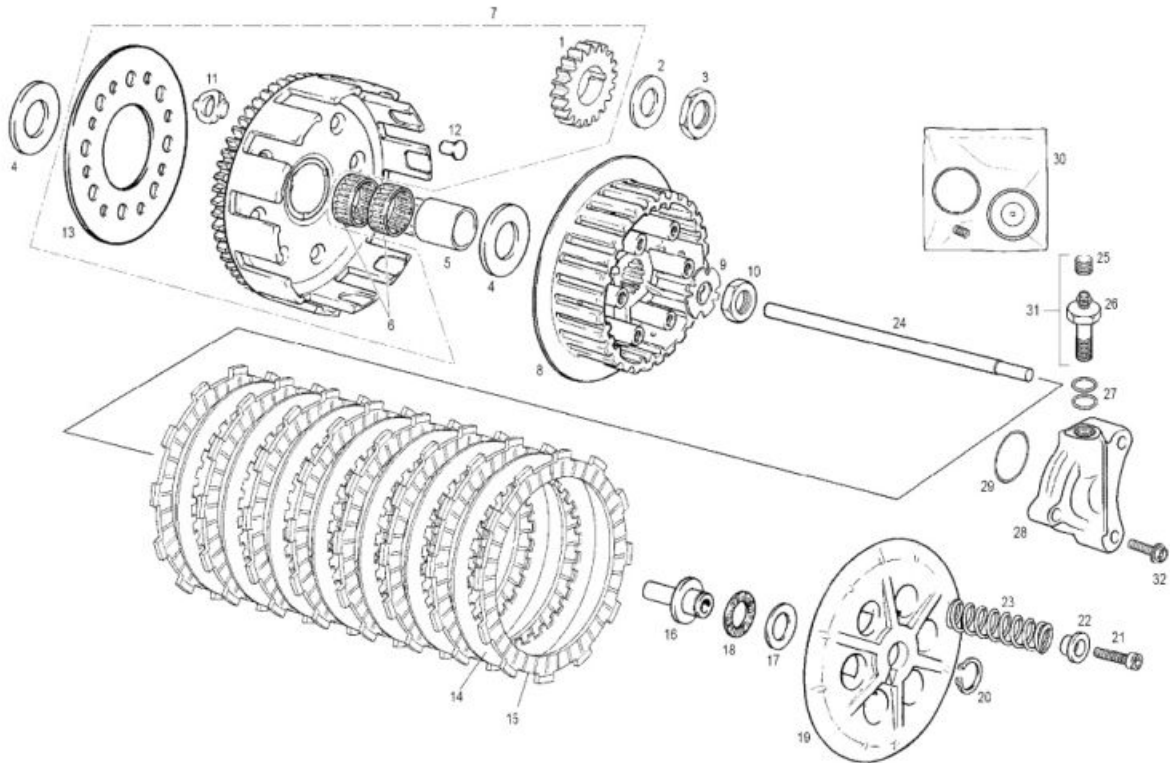
Embrague 125



1	PIÑÓN CIGUEÑAL TRANS.PRIM. ME120112004 (u. 1)	OBSOLETO
2	ARANDELA GRUESO 10x28x4 NG.TORN.PIÑON PR T4001028 (u. 1)	OBSOLETO
4	ARANDELA CAMBIO 20x34x2 ME120136101 (u. 1)	OBSOLETO
5	ARANDELA SUJ.22104-KS6-700 ME120132009 (u. 1)	OBSOLETO
6	SILENBLOCK CORONA 22109-KA3-710 ME120132008 (u. 1)	
7	CTO.EMBR.TT125 COMP. ME120132000 (u. 1)	OBSOLETO
8	COJINETE AGUJAS K25-29-13 EMBR. ME120132031 (u. 1)	
9	REMACHE CAMPANA 22103-KS6-300 ME120132010 (u. 1)	
10	CASQ.CAMPANA EMBR.EC125-2001 ME120132012 (u. 1)	
11	CUBO EMBR.22120-KZ4-A90 EC125-2001 ME120132005 (u. 1)	
12	PRECINTO EMBR.EC125-2001 ME120132022 (u. 1)	
13	TUERCA EMBR.EC125-2001 ME120132028 (u. 1)	
14	DISCO EMBR.FORRADO 22201-KS6-700(16.1205) ME120132007 (u. 1)	
15	DISCO EMBR.HIERRO 272M9 (16.1253) ME120132037 (u. 1)	
16	EMPUJADOR EMBR.EC125-2001 ME120132014 (u. 1)	OBSOLETO

17	RODAM.AXIAL BOLET EMBR.AXK1024 ME120132042 (u. 1)	
18	ARANDELA BOLET EMBR.AS1024 ME120132041 (u. 1)	
19	PLATO EMBR.22351-KZ4-A90 ME120132006 (u. 1)	
20	CASQ.APRETADOR EMBR.EC125-2001 ME120132044 (u. 1)	OBSOLETO
21	SEEGER EJE 15 EMBR. ME25632017 (u. 1)	
22	MUELLE EMBR.39.5x18x2.3x5 pas EC125-2001 ME120132015 (u. 1)	OBSOLETO
23	ARANDELA 6X18X1.5 DIN 9021 ZINC 0/000.440.9126 (u. 1)	OBSOLETO
	ARANDELA 6X18X1.5 (DIN 9021) T4006018 (u. 1)	
24	TORN.ESP.6x20 DIN 6921 GEOMET 10.9 0/000.460.9120 (u. 1)	OBSOLETO
	TORN.ESP.6x20 10.9 ZINC.(CEX) T0206020 (u. 1)	
	ALLEN 6X20 12.9 T0306020 (u. 1)	
25	DISCO EMBR.ALUMINIO 22321-KA3-710(16.125 ME120132038 (u. 1)	
26	ARAND.EMB.TOPE 20.15X38X3.25 M03226000 (u. 1)	OBSOLETO
27	COJINETE AGUJAS K25-29-10 M02616000 (u. 1)	OBSOLETO
	COJINETE AGUJAS K25-29-10 0/000.960.9104 (u. 1)	
28	CTO.EMBR.TT125 COMP. ME120132000 (u. 1)	OBSOLETO
	CAMPANA EMBR.22101-KZ4-A900 ME120132004 (u. 1)	
29	VARILLA EMBR.EC125-2001 ME120132040 (u. 1)	
31	BOMBIN EMBR.HIDRAULICO EC125-2001 ME120132026 (u. 1)	OBSOLETO
	CTO.BOMBIN EMBR.ENDURO 2013 (405.00.006C BE481001213CT (u. 1)	
32	ARANDELA LATIGUILLO 10X14X1 BE25622007 (u. 1)	
33	SANGRADOR PINZA EMBR.TT BE25622060 (u. 1)	
34	TAP.SANGRADOR FD-G006-00 BT27922055 (u. 1)	
36	KIT REP.BOMBIN EMBR. 160.00.030C BE120122050 (u. 1)	

Embrague 200-250-300



CTO.CORONA-PIÑON EMBR.ENDURO 250-300 2014
0/005.400.9104 (u. 1)

CTO.CORONA EMBR.ENDURO 250-300 2014
ME21000CT-CAB-1 (u. 1)

1 OBSOLETO

PIÑON CIGUEÑAL TRANS.PRIM.
ME25612004 (u. 1)

OBSOLETO

PIÑON CIGUEÑAL TRANS.PRIMA.Z19 200-99
ME20912004 (u. 1) - 200

ARANDELA DIN 125 PULIDA D-20 ZINC 40-42HRC
0/000.440.9108 (u. 1)

2 OBSOLETO

ARAN.BISEL.D.20 / 125-B-M 5.6 PULIDA PIÑ
ME25632019 (u. 1)

OBSOLETO

ARAN.CAMPANA EMBRAG.22.1X42X2.8
0/000.440.9106 (u. 1)

4 OBSOLETO

ARAN.CAMPANA EMBRAG.22.1X42X2.8
ME25632011 (u. 1)

OBSOLETO

CASQ.CAMPANA EMBR.
0/000.480.9121 (u. 1)

5 OBSOLETO

CASQ.CAMPANA EMBR.
ME25632012 (u. 1)

OBSOLETO

COJI.CAMP.EMB.K28X33X13FV-M1 M3
ME25632029 (u. 1)

6 OBSOLETO

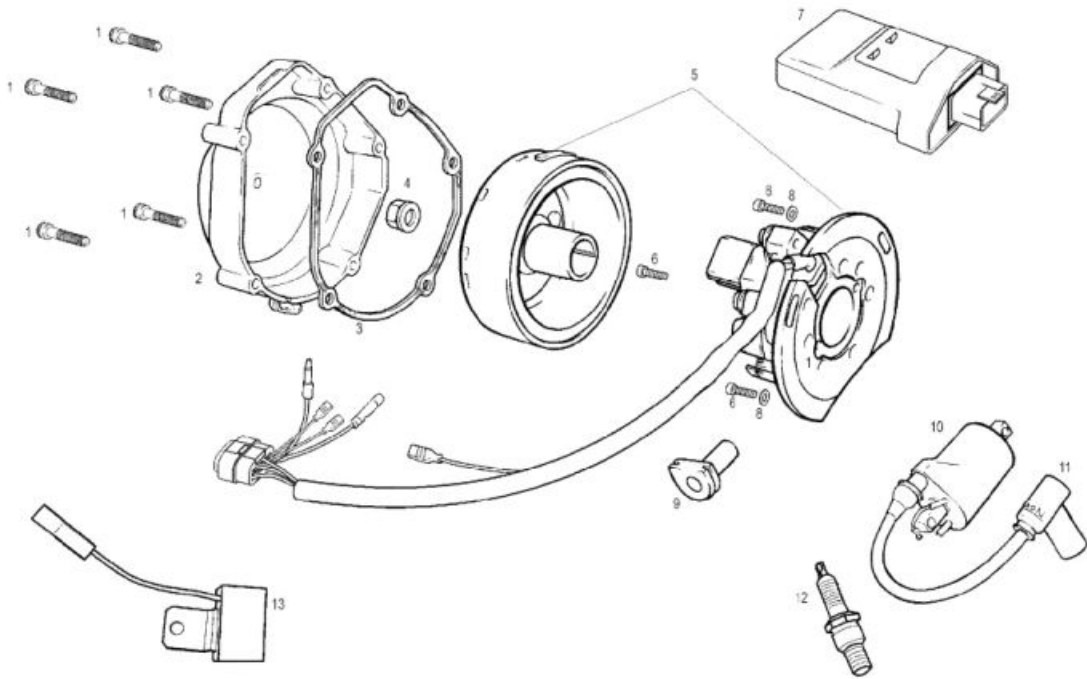
COJI.CAMP.EMB.K28X33X13FV-M1 M3
0/000.980.9113 (u. 1)

OBSOLETO

	CTO.CORONA-PIÑÓN EMBR.ENDURO 250-300 2014 0/005.400.9104 (u. 1)	
	CTO.CORONA EMBR.ENDURO 200 0/005.400.9103 (u. 1)	
7	CTO.CORONA EMBR.ENDURO 250-300 2014 ME21000CT-CAB-1 (u. 1)	OBSOLETO
	CTO.CORONA EMBR.ENDURO 200 ME20932003CT (u. 1)	OBSOLETO
	CTO.CORONA EMBR.ENDURO 250-2004 ME250432003CT (u. 1)	OBSOLETO
	CUBO EMBR.4541A ME25632005 (u. 1)	OBSOLETO
8	CTO.CUBO EMBR.ENDURO 2018 0/005.350.9100 (u. 1)	
	CTO.CUBO EMBR.ENDURO 2018 ME22005CT-CLJ-1 (u. 1)	OBSOLETO
9	ARANDELA PRECINTO EMBR. ME25632022 (u. 1)	
	TUERCA FIJ.CUBO EMB. ME25632028 (u. 1)	OBSOLETO
10	TUERCA FIJ.CUBO EMB. 0/000.340.9107 (u. 1)	
11	GOMA SILENBLOC C4015/115 EMBR.3376 ME20932008 (u. 1)	
12	REMACHE CAMPANA EMBR. ME250132010 (u. 1)	
13	ARANDELA CORONA EMBR. ME20932009 (u. 1)	
14	DISCO EMB.HIERRO 272M44 ME25632037 (u. 1)	
15	DISCOS EMB.FORRADO 7138 ME25632007 (u. 1)	
	BOLET EMBR.EC 2012 ME20000013011 (u. 1)	
16	BOLET EMBR. ME25632014 (u. 1)	OBSOLETO
	PLACA AGUJA ROD.BOLET Y VAL.ESCAPE AS 15 0/000.440.9107 (u. 1)	
17	PLACA AGUJA ROD.BOLET Y VAL.ESCAPE AS 15 ME25632016 (u. 1)	OBSOLETO
	JAULA AGUJA VALV.ESCAPE AXK 1528 0/000.960.9109 (u. 1)	
18	JAULA AGUJA VALV.ESCAPE AXK 1528 ME25632046 (u. 1)	OBSOLETO
	PREMSA EMBR.EC 2012 ME20000003011 (u. 1)	
19	PRENSA EMBR.4898A ME25632006 (u. 1)	
20	SEEGER EJE 15 EMBR. ME25632017 (u. 1)	
	ALLEN 6X20 12.9 T0306020 (u. 1)	
21	TORN.ESP.6x20 DIN 6921 GEOMET 10.9 0/000.460.9120 (u. 1)	
	TORN.ESP.6x20 10.9 ZINC.(CEX) T0206020 (u. 1)	OBSOLETO

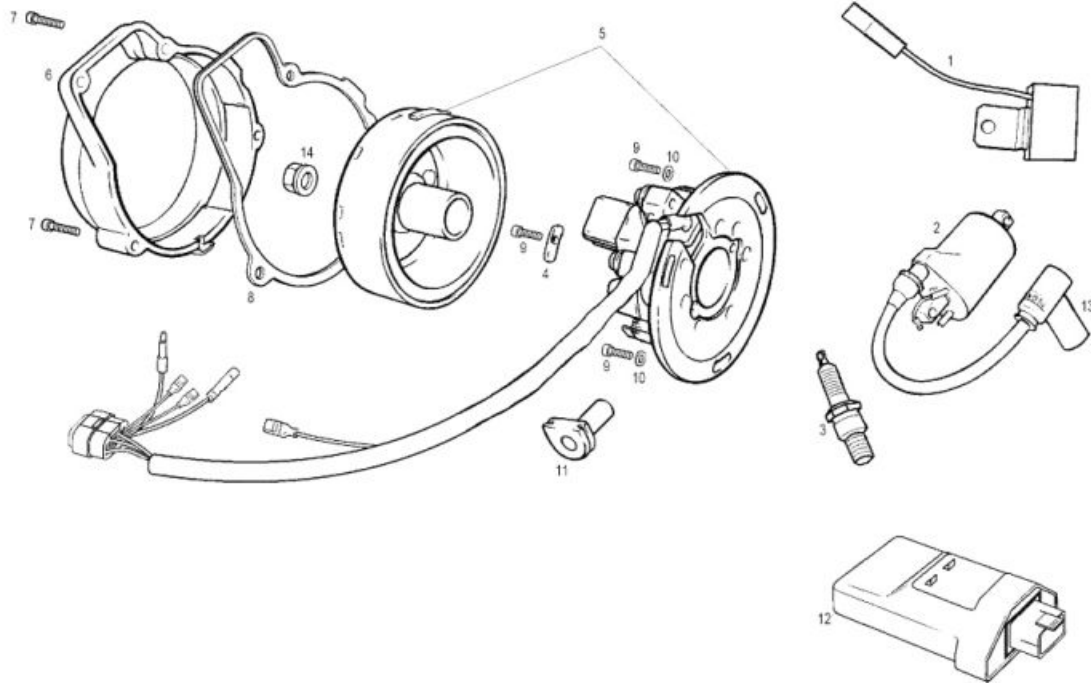
22	CASQ.MUELLE EMBR.ALUMINIO ME250032020 (u. 1)	
23	MUELLE EMBR.TT ME25632015 (u. 1)	
24	VARILLA EMBR. ME25632040 (u. 1)	OBSOLETO
	VARILLA EMBR. 0/000.190.9105 (u. 1)	
25	TAP.SANGRADOR FD-G006-00 BT27922055 (u. 1)	OBSOLETO
	TAP.SANGRADOR TT BE25622055 (u. 1)	
26	SANGRADOR PINZA EMBR.TT BE25622060 (u. 1)	
27	ARANDELA LATIGUILLO 10X14X1 BE25622007 (u. 1)	
28	CTO.BOMBIN EMBR.HIDR.550.00.004-C ME25632026 (u. 1)	
29	TORICA BOMB.EMB.LIQ.32X2 EPDM ME25632024 (u. 1)	
30	KIT PINZA EMBR.160.00.128 BE25622050 (u. 1)	
31	RACORD PINZA EMBR.HIDRAU M01060000 (u. 1)	OBSOLETO
	RACOR LATIG.EMBR.(B19007AL/NY) M10X1+SAN BT280522106 (u. 1)	
32	TORN.ESP.6x20 10.9 ZINC.(CEX) T0206020 (u. 1)	OBSOLETO
	TORN.ESP.6x20 DIN 6921 GEOMET 10.9 0/000.460.9120 (u. 1)	

Generador 125



1	ALLEN 6x40 12.9 (DIN 912) T0306040 (u. 1)	OBSOLETO
	ALLEN 6x40 DIN 912 ZINC 12.9 0/000.460.9148 (u. 1)	
2	TAPA ENCENDIDO PLASTICO EC125-2001 ME120110004 (u. 1)	
3	JUNTA TAPA VOLANTE EC125-2001 ME120144004 (u. 1)	
4	TUERCA VOLANTE EC400 4T M12x1.25 10.9 MFS400134011 (u. 1)	
5	VOLANTE MAGNETICO FP8049 EE700001213 (u. 1)	OBSOLETO
	VOL.MAG.N.FP8049 MC250534005 (u. 1)	
	VOL.MAG.KOKUSAN FP-8050 ME250534005 (u. 1)	
6	ALLEN 5X20 DRACOMET CEX 12.9 T0305020 (u. 1)	
7	CDI KOKUSAN CU7508 EC 125-2005 ME120534007 (u. 1)	
8	ARANDELA 5X12X1.5 DIN 125A ZINC 0/000.440.9121 (u. 1)	OBSOLETO
	ARANDELA 5X12X1.5 T4005012 (u. 1)	
9	TAP.GOMA ENCENDIDO ME25934014 (u. 1)	
10	BOB.KOKUSAN IG512L ME250434006 (u. 1)	

11	BUJIA W24ESRU ME25934000 (u. 1)	OBSOLETO
	BUJIA W24ESRU 0/005.110.9101 (u. 1)	
12	BUJIA W27ESRU ME120134000 (u. 1)	
13	REGUL.ALTERNADOR 415 C = ME25634009 L300031 (u. 1)	

Generador 200-250-300


1 REGUL.ALTERNADOR 415 C = ME25634009
L300031 (u. 1)

2 BOB.KOKUSAN IG512L
ME250434006 (u. 1)

3 BUJIA W24ESRU
ME25934000 (u. 1)

OBSOLETO

3 BUJIA W24ESRU
0/005.110.9101 (u. 1)

4 CENTRAJE ENCENDIDO
ME25934025 (u. 1)

OBSOLETO

5 VOL.MAG.KOKUSAN FP-8050
ME250534005 (u. 1)

6 TAPA ENCENDIDO PLASTICO 2005
ME250510004 (u. 1)

7 ALLEN 6X35 12.9
T0306035 (u. 1)

8 JUNTA TAPA VOLANTE 0.5MM (SIN SILIC.)
ME250544004 (u. 1)

9 ALLEN 5X20 DRACOMET CEX 12.9
T0305020 (u. 1)

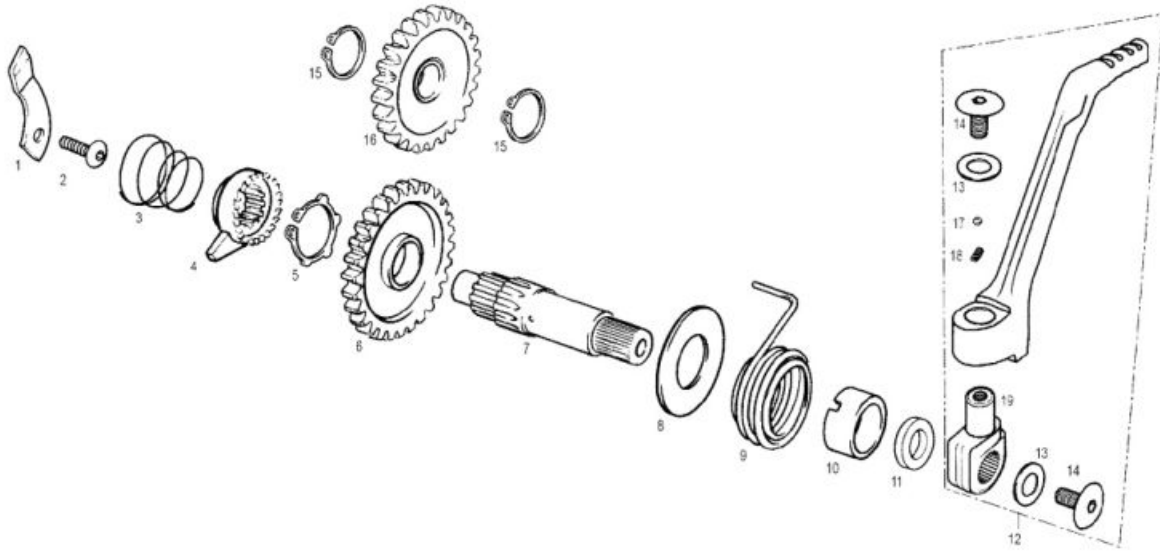
9 ALLEN 6X16 BOMBA EMB. DIN 912 ZINC 12.9
0/000.460.9147 (u. 1)

9 ALLEN 6X16 BOMBA EMB.12.9
T0306016 (u. 1)

OBSOLETO

	ARANDELA 5X12X1.5 T4005012 (u. 1)	OBSOLETO
10	ARANDELA PLANA 6X12X1.5 (DIN 125) T4006012 (u. 1)	OBSOLETO
	ARANDELA PLANA 6X12X1.5 DIN 125 ZINC 0/000.440.9124 (u. 1)	
	ARANDELA 5X12X1.5 DIN 125A ZINC 0/000.440.9121 (u. 1)	
11	TAP.GOMA ENCENDIDO ME25934014 (u. 1)	
12	CDI KOKUSAN CU7522 EC2006 ME250634007 (u. 1)	
	CDI KOKUSAN CU7509 EC2005 ME250534007 (u. 1)	OBSOLETO
13	PIPA BUJIA BE25934000 (u. 1)	OBSOLETO
	PIPA BUJIA LB05EMH=BT27934000 0/005.110.9100 (u. 1)	
14	TUERCA VOLANTE EC400 4T M12x1.25 10.9 MFS400134011 (u. 1)	
	TUERCA VOLANTE M12x1,25 COD.DC12FF1 8.8 MC25934011 (u. 1)	OBSOLETO

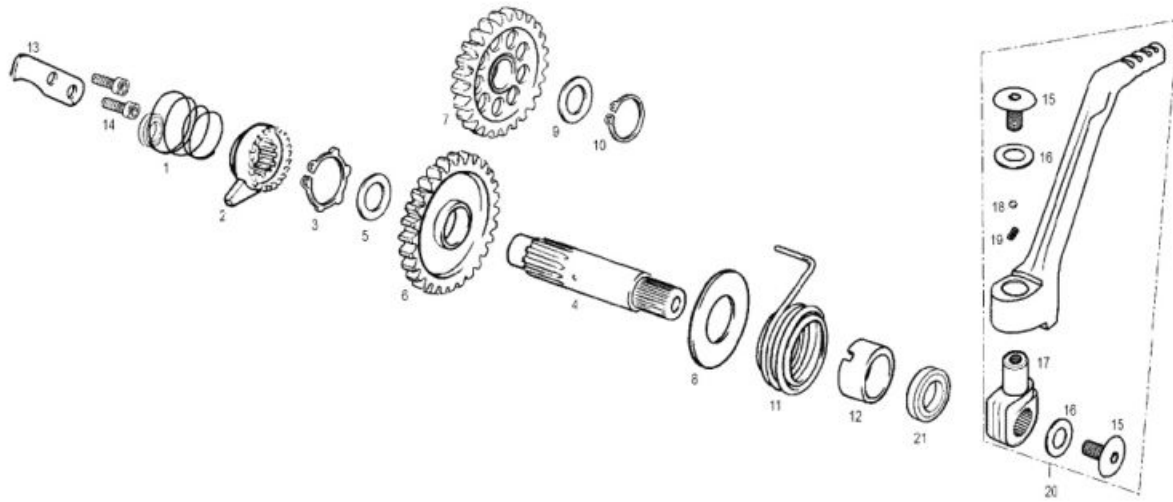
Palanca de arranque 125



1	PLATINA TRINQUETE ARRANQUE EC125-2001 ME120136005 (u. 1)	
2	TORN.UFK M5x12 T0315012 (u. 1)	
2	TORN.UFK 5x10 DRACOMET T0315010 (u. 1)	
3	MUELLE TRINQUETE ARRANQUE 0/000.470.9109 (u. 1)	
3	MUELLE TRINQUETE ARRANQUE ME25636006 (u. 1)	OBSOLETO
4	TRINQUETE ARRANQUE EC125cc 0/005.400.9110 (u. 1)	
4	TRINQUETE ARRANQUE EC125cc ME120126004 (u. 1)	OBSOLETO
5	SEEGER AK-20 PARA EJE DIN 983 MT27836052 (u. 1)	OBSOLETO
6	PIÑON ARRANQUE MT27836002 (u. 1)	OBSOLETO
7	EJE ARRANQUE+AGUJERO EC125-2001 ME120136003 (u. 1)	
8	ARANDELA ARRANQUE 46X18.6X1 M02614002 (u. 1)	
9	MUELLE RETORNO PEDAL.18. M02613001 (u. 1)	
10	CASQ.CENTRADOR MUELLE ARRANQUE ME250136053 (u. 1)	
11	RETEN PEDAL ARRANQUE 18x28x7 ME120132021 (u. 1)	

	PEDAL ARRANQUE Y MUÑEQUILLA EC 250 4T 20 MFS890002510 (u. 1)	OBSOLETO
	PEDAL ARRANQUE Y MUÑ. EC125-2001 ME120136060 (u. 1)	OBSOLETO
12	CTO.PEDAL ARRANQUE ME89000CT2511 (u. 1)	OBSOLETO
	CTO.PEDAL ARRANQUE 0/005.430.9101 (u. 1)	
	PEDAL ARRANQUE EC 125 2014 ME89000CT-BZV-1 (u. 1)	OBSOLETO
13	ARANDELA 6,5X20X1.5 T4006020 (u. 1)	
	ALLEN 6X12 T0306012 (u. 1)	OBSOLETO
14	TORN.ESP.+ARAND.5x15 DIN 6921 GEOMET 10.9 0/000.460.9115 (u. 1)	
	TORN.6X12 HUELLA TORX ESP.ZI T0316012 (u. 1)	OBSOLETO
15	SEEGER D.15MM DIN 471 0/000.300.9101 (u. 1)	
	SEEGER D 15MM DIN 471 PIÑON INT.ARRANQUE M02623000 (u. 1)	OBSOLETO
16	PIÑON INT.ARRANQUE EC125-2001 ME120126001 (u. 1)	
17	BOLA MUÑEQUILLA PEDAL ARRANQUE ME250036062 (u. 1)	
18	MUELLE MUÑEQUILLA PEDAL ARRANQUE ME250036066 (u. 1)	

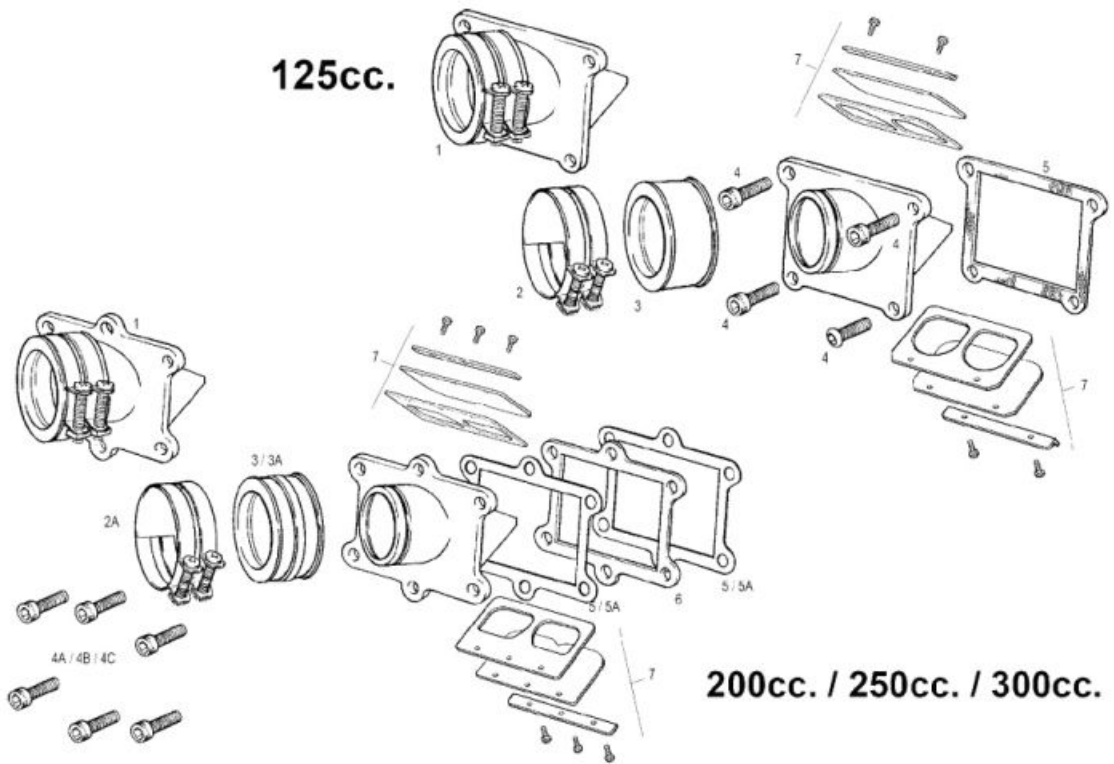
Palanca de arranque 200-250-300



1	MUELLE TRINQUETE ARRANQUE 0/000.470.9109 (u. 1)	
	MUELLE TRINQUETE ARRANQUE ME25636006 (u. 1)	OBSOLETO
2	TRINQUETE ARRANQUE EC125cc 0/005.400.9110 (u. 1)	
	TRINQUETE ARRANQUE EC125cc ME120126004 (u. 1)	OBSOLETO
3	SEEGER DE 20 ARRANQUE=M03615000 ME25636052 (u. 1)	OBSOLETO
	SEEGER D.20 DIN 471 0/000.300.9105 (u. 1)	
4	EJE ARRANQUE EC-2001 ME250126003 (u. 1)	OBSOLETO
	EJE ARRANQUE EC-2001 0/005.400.9106 (u. 1)	
5	ARAN.TOPE 27X20.2X1 DESPL ARRAN. 0/000.440.9109 (u. 1)	
	ARAN.TOPE 27X20.2X1 DESPL ARRAN. ME25636000 (u. 1)	OBSOLETO
6	PIÑON ARRANQUE EC-2001 ME250126002 (u. 1)	OBSOLETO
	PIÑON ARRANQUE EC-2001 0/005.400.9105 (u. 1)	
7	PIÑON INT.ARRANQUE EC-2001 ME250126001 (u. 1)	
8	ARANDELA ARRANQUE 20X40X1 0/000.440.9111 (u. 1)	
	ARANDELA ARRANQUE 20X40X1 ME25636051 (u. 1)	OBSOLETO

9	VOLANDERA PIÑON ARRAN.24X15.15X0.8 ME25636012 (u. 1)	OBSOLETO
	VOLANDERA PIÑON ARRAN.24X15.15X0.8 0/000.440.9110 (u. 1)	
10	SEEGER EJE 15 EMBR. ME25632017 (u. 1)	
11	MUELLE ARRANQUE ME25636007 (u. 1)	
12	CASQ.CENTRADOR MUELLE ARRANQUE ME250136053 (u. 1)	
13	PLATINA TRINQUETE ARRANQUE 0/000.980.9114 (u. 1)	
	PLATINA TRINQUETE ARRANQUE ME25636005 (u. 1)	OBSOLETO
14	ALLEN 5x16 DRACOMET T0305016 (u. 1)	
	ALLEN 5x15 DRACOMET T0305015 (u. 1)	OBSOLETO
15	ALLEN 6X12 T0306012 (u. 1)	OBSOLETO
	TORN.6X12 HUELLA TORX ESP.ZI T0316012 (u. 1)	OBSOLETO
	TORN.ESP.+ARAND.5x15 DIN 6921 GEOMET 10.9 0/000.460.9115 (u. 1)	
16	ARANDELA 6,5X20X1.5 T4006020 (u. 1)	
17	MUÑEQUILLA PEDAL ARRANQUE D.18 ME250036061 (u. 1)	
18	BOLA MUÑEQUILLA PEDAL ARRANQUE ME250036062 (u. 1)	
19	MUELLE MUÑEQUILLA PEDAL ARRANQUE ME250036066 (u. 1)	
20	PEDAL ARRANQUE AL.FSE400-4T MFS400126060 (u. 1)	OBSOLETO
	CTO.PEDAL ARRANQUE 0/005.430.9101 (u. 1)	
	CTO.PEDAL ARRANQUE ME89000CT2511 (u. 1)	OBSOLETO
	PEDAL ARRANQUE Y MUÑEQUILLA EC 250 4T 20 MFS890002510 (u. 1)	OBSOLETO
21	RETEN PEDAL ARRAN.20X30X7 0/000.890.9105 (u. 1)	
	RETEN PEDAL ARRAN.20X30X7 ME25632021 (u. 1)	OBSOLETO

Válvula de láminas



CAJA LAMINAS V305A
ME250616021 (u. 1) - 250

CTO.CAJA LAMINAS ACABADA ENDURO HOBBIE 2
ME200716021CT (u. 1)

OBSOLETO

1 CAJA LAMINAS VFORCE V302A
ME120616021 (u. 1) - 125

CAJA LAMINAS TT 200-2003
ME200316021 (u. 1)

OBSOLETO

KIT SUBST.ME25616021
ME25616021R (u. 1)

2 ABRAZ.NORMA S54
ME120616132 (u. 1) - 125

ABRAZ.S56/9 W1
MT280316132 (u. 1)

OBSOLETO

2 ABRAZ.S56/9 W1 ZINC
0/000.680.9109 (u. 1)

ABRAZ.NORMA S54
ME120616132 (u. 1) - 125

3 CAJA LAMINAS RAD 93 TT125-2001
ME120116021 (u. 1)

TUBERA CAJA DE LAMINAS
ME25616131R (u. 1) - 250

TUBERA ADMISION 5MV-13565-00-00
ME120616135 (u. 1)

OBSOLETO

	TUBERA ADMISION 5MV-13565-00-00 ME120616135 (u. 1)	OBSOLETO
	TUBERA CAJA DE LAMINAS ME25616131R (u. 1) - 250	
	TUBERA CAJA DE LAMINAS ME25616131R (u. 1) - 250	
3_	TUBERA CAJA LAMINAS EC250-2006 ME250616135 (u. 1) - 250,300	
	TUBERA ADMISION 5MV-13565-00-00 ME120616135 (u. 1)	OBSOLETO
	CAJA LAMINAS RAD 93 TT125-2001 ME120116021 (u. 1)	
4	JUNTA CAJA LAMINAS ENDURO 2006 ME120644005 (u. 1) - 125	
	TORN.ESP.M6x30 DIN 6921 GEOMET 0/000.460.9123 (u. 1)	
	TORN.ESP.6X25(10.9) VALONA 11MM T0206025 (u. 1)	OBSOLETO
	ALLEN 6X16 BOMBA EMB. DIN 912 ZINC 12.9 0/000.460.9147 (u. 1)	
	JUNTA CAJA LAMINAS ENDURO 2006 ME120644005 (u. 1) - 125	
4_	TORN.ESP.6X25 DIN 6921 GEOMET 10.9 VALONA 11MM 0/000.460.9121 (u. 1)	
	JUNTA CAJA LAMINAS ENDURO 2006 ME120644005 (u. 1) - 125	
	JUNTA CAJA LAMINAS ENDURO 2006 ME120644005 (u. 1) - 125	
	JUNTA CAJA LAMINAS ENDURO 2006 ME120644005 (u. 1) - 125	
	TORN.ESP.M6x30 T0206030 (u. 1)	OBSOLETO
	ALLEN 6X16 BOMBA EMB.12.9 T0306016 (u. 1)	OBSOLETO
5	JUNTA CAJA LAMINAS CARTER EC250-2006 ME250644005 (u. 1) - MENOS QUE 125	
	JUEGO LAMINAS ADMISION TT 125cc ME120116041 (u. 1)	
	JUEGO LAMINAS ADMISION TT125cc 952 ME120216041 (u. 1)	OBSOLETO
	JUNTA CAJA LAMINAS CARTER EC250-2006 ME250644005 (u. 1) - MENOS QUE 125	
5_	JUNTA CAJA LAMINAS TUBERA EC250 2006 ME250644105 (u. 1) - 250,300	
	JUNTA CAJA LAMINAS CARTER EC250-2006 ME250644005 (u. 1) - MENOS QUE 125	
	JUNTA CAJA LAMINAS TUBERA EC250 2006 ME250644105 (u. 1) - 250,300	
	JUEGO LAMINAS ADMISION TT125cc 952 ME120216041 (u. 1)	OBSOLETO
	JUNTA CAJA LAMINAS CARTER EC250-2006 ME250644005 (u. 1) - MENOS QUE 125	
6	DIST.CAJA LAMINAS 4mm.V-FORCE ME300616057 (u. 1)	
	DIST.CAJA LAMINAS 4 mm. MC250416057 (u. 1)	OBSOLETO

7

JGO.LAMINAS TT OER50001
ME25616041 (u. 1) - *MENOS QUE 125*