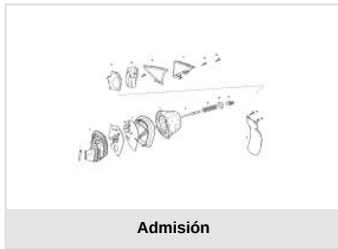


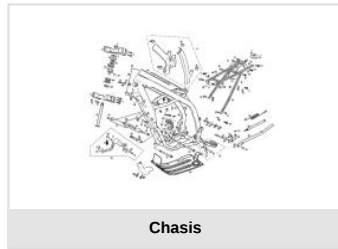


# EC RACING 300cc 2011

## Exploded



Admisión



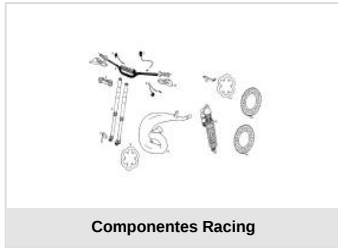
Chasis



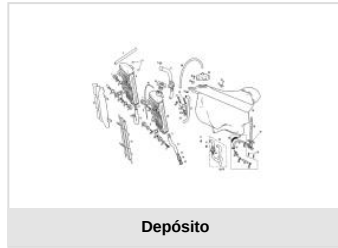
Adhesivos Racing



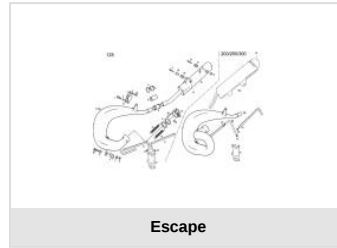
Carrocería



Componentes Racing



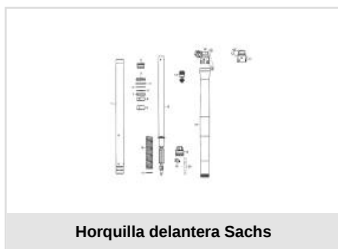
Depósito



Escape



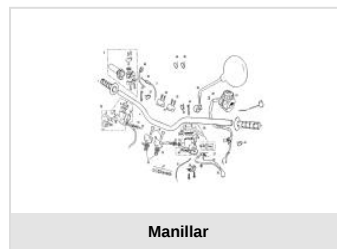
Horquilla delantera Marzocchi



Horquilla delantera Sachs



Horquilla trasera



Manillar



Rueda delantera



Rueda trasera



Conjunto de cables

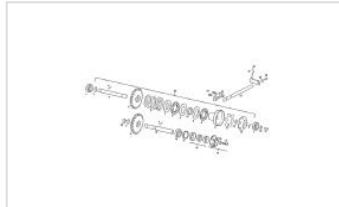


Intermitentes

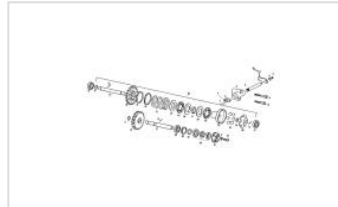


Herramientas de asistencia

EC RACING 125-250-300 2011- Engine



Bomba agua 125



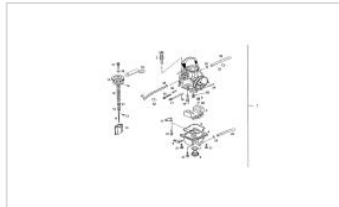
Bomba agua 250-300



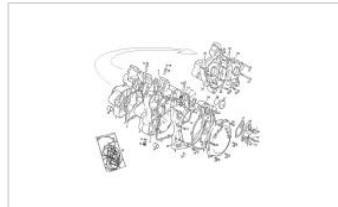
Cambio 125



Cambio 250-300



Carburador



Carter de motor 125



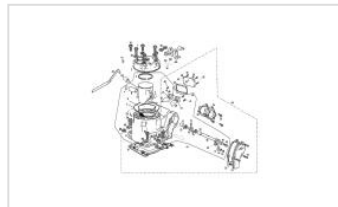
Carter de motor 250-300



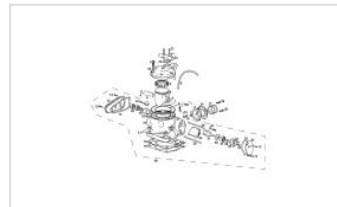
Cigüeñal 125



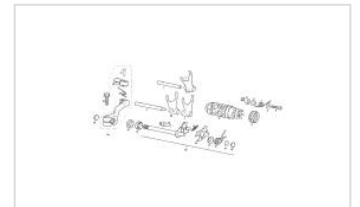
Cigüeñal 250-300



Cilindro 125



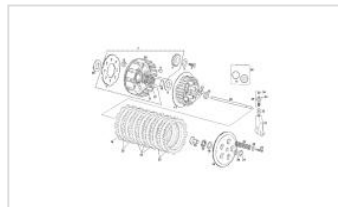
Cilindro 250-300



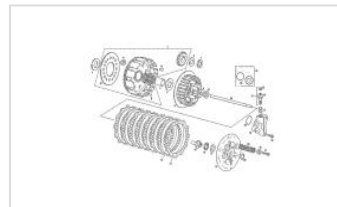
Eje de cambio 125



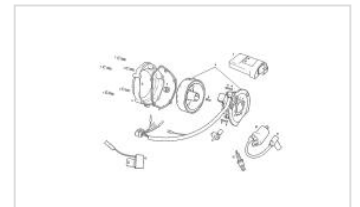
Eje de cambio 250-300



Embrague 125



Embrague 250-300



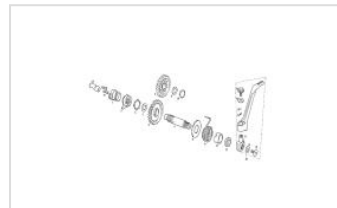
Generador 125



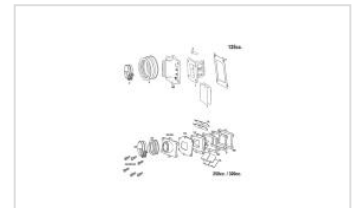
Generador 250-300



Palanca de arranque 125

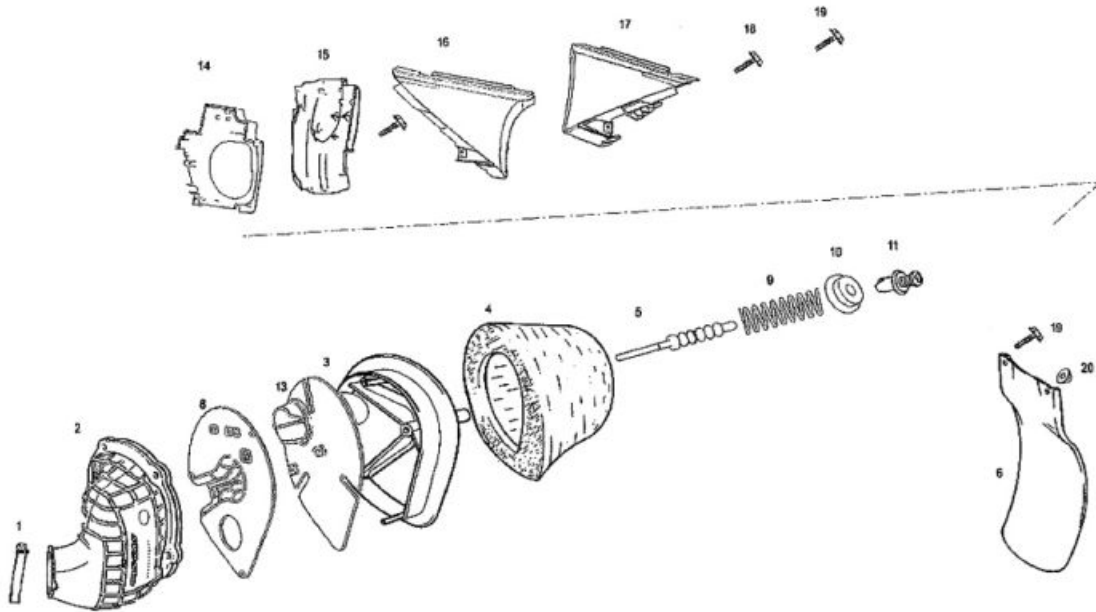


Palanca de arranque 250-300



Válvula de láminas

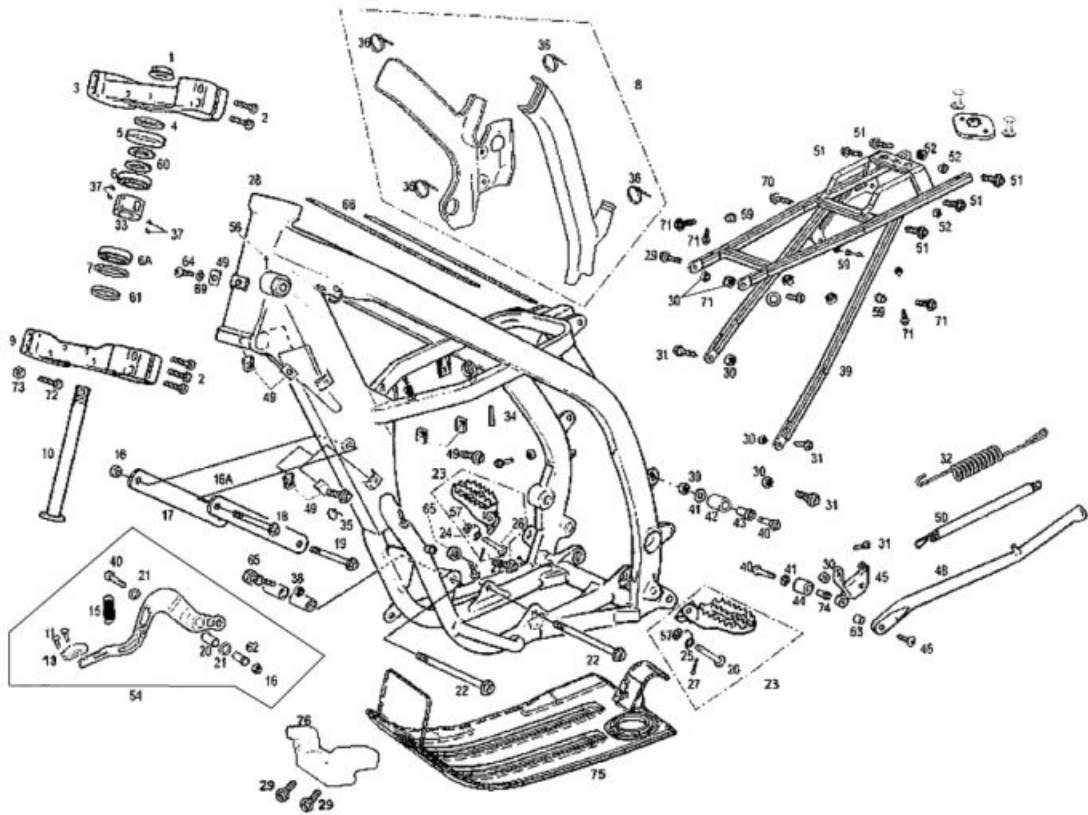
**Admisión**



1	ABRAZ.50-70/9 W2 FILTRO AIRE/CARB. BE250328033 (u. 1)	<b>OBSOLETO</b>
	ABRAZ.50-70/9 W2 FILTRO AIRE/CARB. INOX FE 0/000.680.9101 (u. 1)	
3	ARAÑA FILTRO EC 2T 2007 BE250628002 (u. 1)	
4	FILTRO AIRE EC-2007 2T OEM158046X BE250728000 (u. 1)	
5	VARILLA FILTRO AIRE EC-2007 BE250728003 (u. 1)	
6	PROT.AMORT.EC 2018 BE79555GG-CLJ-1 (u. 1)	<b>OBSOLETO</b>
	PROT.SUSP.TRAS.2740 BE25620008 (u. 1)	<b>OBSOLETO</b>
	PROT.AMORT.EC 2018 0/000.220.9117 (u. 1)	
8	RESTRICCION FILTRO AIRE DEL.EC 2008 BE798002508 (u. 1)	
9	MUELLE VARILLA C.FILTRO.EC-2007 BE250728051 (u. 1)	<b>OBSOLETO</b>
	MUELLE VARILLA C.FILTRO.EC-2007 0/000.470.9105 (u. 1)	
10	ARAND.NYLON TOPE MUELLE C.FILTRO.EC-2007 BE250728052 (u. 1)	<b>OBSOLETO</b>
	ARAND.NYLON TOPE MUELLE C.FILTRO.EC-2007 0/000.440.9100 (u. 1)	
14	TAPA C.FILTRO.DEL.EC-2007 BE250728054 (u. 1)	
15	TAPA C.FILTRO.TRAS.EC-2010 BE790902510 (u. 1)	

16	TAPA C.FILTRO.DCH.EC-2009 BE926002509 (u. 1)	
17	TAPA C.FILTRO.IZQ.EC-2009 BE931002509 (u. 1)	
18	TORN.ROSCA PLASTICO(RF77R)4,5X14 NG. BE250420063 (u. 1)	
19	TORN.ROSCA PLASTICO 4,5X20 RF77R EC-2007 BE250728058 (u. 1)	<b>OBSOLETO</b>
20	CASQ.PROT.AMORT.EC-2007 BE250728059 (u. 1)	

**Chasis**



1	TUERCA DIR.SUP. 0/000.340.9102 (u. 1)	
	TUERCA DIR.SUP. BE25610030 (u. 1)	<b>OBSOLETO</b>
2	ALLEN DIN 912 7X30 12.9 ZN T0307030 (u. 1)	<b>OBSOLETO</b>
	ALLEN 7X30 DIN 912 ZINC 12.9 0/000.460.9151 (u. 1)	
3	BRIDA SUP.SUSP.EC-2010 TIT. BE220002510 (u. 1)	
4	TUERCA DIR.INFE. BE25610029 (u. 1)	<b>OBSOLETO</b>
	TUERCA DIR.INFE. 0/000.340.9101 (u. 1)	
5	GUARDAPOLVO COJ.DIR.TT BE25610126 (u. 1)	<b>OBSOLETO</b>
	GUARDAPOLVO COJ.DIR.TT BLANCO 0/000.200.9102 (u. 1)	
6	COJINETE DIR.INF.320/28 BE250610008 (u. 1)	<b>OBSOLETO</b>
	COJINETE DIR.30205A BE25610008 (u. 1)	<b>OBSOLETO</b>
	COJINETE DIR.30205A 0/000.960.9101 (u. 1)	
	COJINETE DIR.INF.320/28 0/000.960.9100 (u. 1)	
6	COJINETE DIR.30205A 0/000.960.9101 (u. 1)	
	COJINETE DIR.30205A BE25610008 (u. 1)	<b>OBSOLETO</b>

7	TORICA DIR.50X5 BE25610012 (u. 1)	OBSOLETO
	TORICA DIR.50X5 0/000.490.9102 (u. 1)	
9	BRIDA INF.SUSP TIT.DIAM 45 EC 125 BE210001210 (u. 1) - 125	
	BRIDA INF.SUSP.EC-2010 TIT.DIAM 48 BE210002510 (u. 1) - 200, 250, 300	
10	EJE DIR.ENDURO 2006 BE250614003 (u. 1)	
11	ALLEN 5x12 T0305012 (u. 1)	
13	PUNTERA PEDAL FRENO BE130102510 (u. 1)	
15	MUELLE PEDAL FRENO BE25610023 (u. 1)	
16	TUERCA AUTOBL + ARANDELA M8 ZINC 0/000.340.9119 (u. 1)	OBSOLETO
	TUERCA AUTOBL+ARANDELA M8 T2208002 (u. 1)	
16_	TUERCA AUTOBL+ARANDELA M8 T2208002 (u. 1)	OBSOLETO
	TUERCA AUTOBL + ARANDELA M8 ZINC 0/000.340.9119 (u. 1)	
	TUERCA AUTOBL+ARANDELA M8 T2208002 (u. 1)	OBSOLETO
	TUERCA AUTOBL+ARANDELA M8 T2208002 (u. 1)	OBSOLETO
	TUERCA AUTOBL + ARANDELA M8 ZINC 0/000.340.9119 (u. 1)	
	TUERCA AUTOBL + ARANDELA M8 ZINC 0/000.340.9119 (u. 1)	
17	TIRANTE CULATA TT 99 BE25910050 (u. 1)	
18	TORN.ESP.8X65 FIL.20 8.8 T0208065 (u. 1)	OBSOLETO
19	TORN.ESP.8X70 FIL.20 12.9 ZINC. T0208070 (u. 1)	
20	GLACIER PEDAL FRENO DAP 1220P10E BE250010009 (u. 1)	
21	TORICA D-11x2=M01016100=ME25610026 ME250036063 (u. 1)	
22	TORN.MOTOR M10x118 T0210118 (u. 1)	OBSOLETO
23	CTO.ESTRIBOS COMP.S EC-2013(CEX) ESK-569 BE14000CT2509/2 (u. 1)	OBSOLETO
	CTO.ESTRIBOS COMP.S EC-2009(CEX) BE14000CT2509 (u. 1)	
24	MUELLE ESTRIBO DCH. BE25610037 (u. 1)	
25	MUELLE ESTRIBO IZD. BE25610038 (u. 1)	

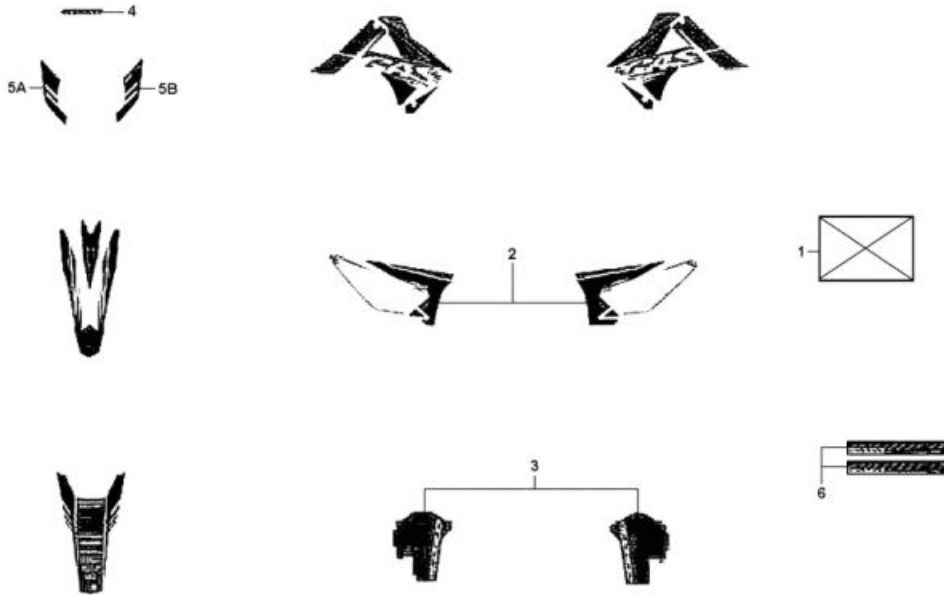
	CASQ. ESTRIBO TT-96 BE25610006 (u. 1)	
26	CASQUILLO PASADOR ESTRIBOS BE14025GG-CAB-1 (u. 1)	OBSOLETO
	CASQUILLO PASADOR ESTRIBOS 0/000.480.9101 (u. 1)	
27	CLAVILLA ZINC.3X35 (DIN 94) PASADOR ESTR BE25622022 (u. 1)	
28	CHASIS COMP.ROJO EC-2011 MICROFUSION BE100002511 (u. 1)	OBSOLETO
	CHASIS COMP.ROJO EC-2011 MICROFUSION BE100002511 (u. 1)	OBSOLETO
29	ULS 8X20 PLAT,PROT, T0508020 (u. 1)	OBSOLETO
30	TUERCA AUTOBLOCANTE M-8 BAJA DIN 985 ZINC. T2108001 (u. 1)	OBSOLETO
	TUERCA AUTOBL.M-8 BAJA DIN 985 ZINC 0/000.340.9114 (u. 1)	
31	TORN.ESP.8x20 8.8 ZINC. T0208020 (u. 1)	
32	MUELLE EXT.CABALLETE BE250510039 (u. 1)	
33	CASQ. CLAUSOR EJE DIR.EC 2010 BE242002510 (u. 1)	OBSOLETO
34	FUNDA CLIP 1X70 art.04/00053 BE250411000 (u. 1)	
35	ABRAZADERA INSTALACION 0/000.680.0060 (u. 1)	
	BRIDA UNEX 2244 4.8X20 BE25634009 (u. 1)	OBSOLETO
	BRIDA UNEX NYLON 2244 4.8X20 0/000.660.9105 (u. 1)	
36	BRIDA UNEX 2244 16/102 4.8X36 BE25634007 (u. 1)	OBSOLETO
	ABRAZADERA INSTALACION 0/000.680.0060 (u. 1)	
	BRIDA UNEX NYLON 2244 16/102 4.8X36 0/000.660.9104 (u. 1)	
37	TORN.PRISIONERO M6X8 BE250310073 (u. 1)	
38	CASQ.SEP.MOTOR EC125cc BE120110065 (u. 1)	OBSOLETO
39	CTO.COLA CHASIS EC 2T BE250710001CT (u. 1)	
	COLA CHASIS EC-2007 2T BE250710001 (u. 1)	OBSOLETO
40	TORN.ESP.8X45 8.8 ZINC. T0208045 (u. 1)	OBSOLETO
41	ARANDELA 8X20X1.5 T4008020 (u. 1)	
42	RODILLO GUIA CAD.SUP.65414 BE25610014 (u. 1)	
43	CASQ.RODILLO 12.5X36X16 BE250712016 (u. 1)	
44	RODILLO GUIA CAD.13.5X32X23.5 BE25610032 (u. 1)	



45	SOP.CABALLETE EC250-2002 BE250212023 (u. 1)	
46	ULS 8X30 CAV. T0508030 (u. 1)	
48	CABALLETE EC 2010 BE142002510 (u. 1)	
49	TUERCA NUT 956 M-6 HRC 40/48 T2606000 (u. 1)	OBSOLETO
	TUERCA NUT 956 RAPIDA M-6 HRc 40/48 0/000.340.9120 (u. 1)	
50	MUELLE CABALLETE+TUBO RETRACTIL BE250410039 (u. 1)	
51	TORN.ESP.6X25(10.9) VALONA 11MM T0206025 (u. 1)	OBSOLETO
	TORN.ESP.6X25 DIN 6921 GEOMET 10.9 VALONA 11MM 0/000.460.9121 (u. 1)	
52	TUERCA AUTOBL.M-6 ALTA(CEX) T2106002 (u. 1)	OBSOLETO
54	CTO.PEDAL FRENO ENDURO 2010 BE13000CT2510 (u. 1)	
56	CLAUSOR J20.49C TRIAL 2002 0/001.060.9100 (u. 1)	
	CLAUSOR J20.49C TRIAL 2002 BT280210075 (u. 1)	OBSOLETO
57	ARANDELA 10.5x19x2 T4001019 (u. 1)	OBSOLETO
59	TUERCA REMACH.M6 REF.23307060230 CILINDR BE250010070/2 (u. 1)	
	TUERCA REMACH.M6 REF.23307060230 CILINDR BE250010070 (u. 1)	OBSOLETO
60	ARANDELA DIR.INF. BE25610028 (u. 1)	OBSOLETO
	ARANDELA DIR.INF. 0/000.440.9101 (u. 1)	
61	CAZOLETA DIR.D28 BE250610026 (u. 1)	OBSOLETO
	CAZOLETA DIR.D28 0/000.200.9101 (u. 1)	
62	CASQ.SOP.PEDAL FRENO EC250-2002 BE250210916 (u. 1)	
63	CASQ.CABALLETE EC250-2001 BE250112011 (u. 1)	
64	TORNILLO ULS 6X16 ISO 7380-1 ZINC 12.9 T0506016 (u. 1)	
65	TUERCA AUTOB.M10 PASO 1.25 ZINC 8 0/000.340.9123 (u. 1)	
	TUERCA AUTOB.M10 PASO 1.25 PLATA T3110002 (u. 1)	OBSOLETO
66	TIRA GOMA ADH.LAT.ES CHASIS 26cm(CEX) BE25638018 (u. 1)	
69	ARANDELA PLANA 6X12X1.5 DIN 125 ZINC 0/000.440.9124 (u. 1)	
	ARANDELA PLANA 6X12X1.5 (DIN 125) T4006012 (u. 1)	OBSOLETO
70	ULS 6x25+ARANDELA ZINC. T0556025 (u. 1)	

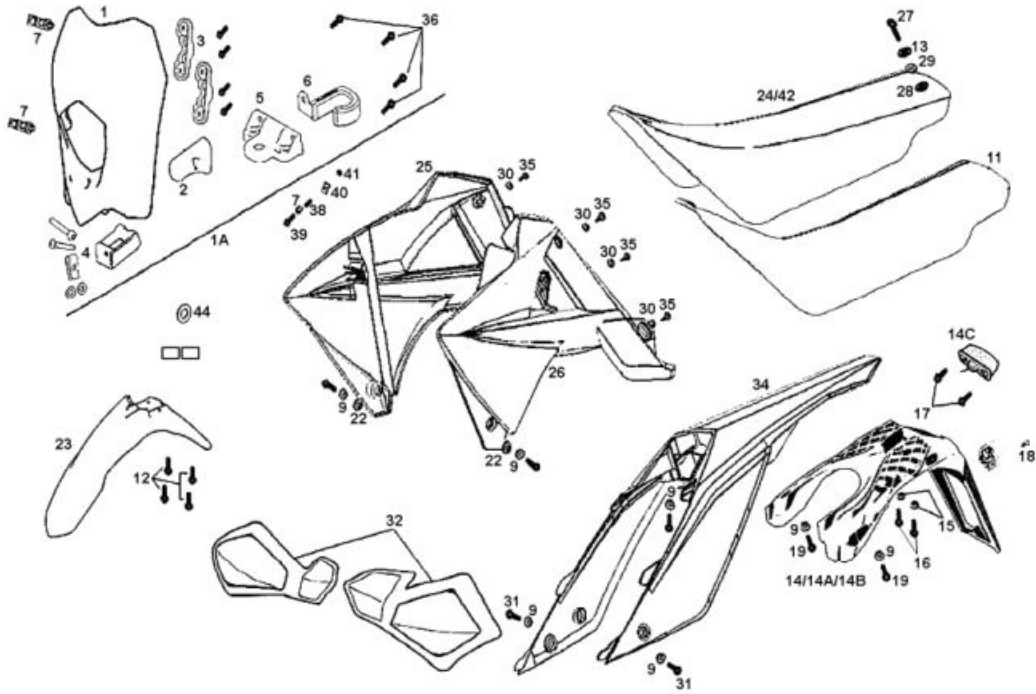
71	TORN.ESP.M6x25 FIL.20 ROND.D.15 8.8 ZINC T0606025 (u. 1)	OBSOLETO
	TORN.ESP.M6x20 FIL.20 ROND.D.15 8.8 ZINC T0606020 (u. 1)	OBSOLETO
72	ALLEN 8X20 T0308020 (u. 1)	
73	TUERCA tope DIR.M8x13x8 ISO 4033 ZINC 0/000.340.9109 (u. 1)	
	TUERCA tope DIR.M8x13x8 ZINCADA BL.BN133 T2008002 (u. 1)	OBSOLETO
74	CASQ.ROD.8.5 X 16 X 31.5 BE25612016 (u. 1)	
75	PROT.CARTER EC 2T 2010 BE115002510 (u. 1)	
	PROT.CARTER ENVOL.ALUMINIO EC-250-2011 BE11500S2511 (u. 1)	
76	FIJ.PROT.CARTER EC 2T 2010 BE115102510 (u. 1)	

**Adhesivos Racing**



<b>1</b>	KIT ADH.S RACING (2011) BE9500RCT3011 (u. 1)	<b>OBSOLETO</b>
<b>2</b>	KIT CILINDR.RACING 300 (2011) BE95070RCT3011 (u. 1) - 300 <hr/> KIT CILINDR.RACING 250 4T (2011) BFS95070RCT2511 (u. 1) - 250 4T <hr/> KIT CILINDR.RACING 250 (2011) BE95070RCT2511 (u. 1) - 250 <hr/> KIT CILINDR.RACING 125 (2011) BE95070RCT1211 (u. 1) - 125	
<b>3</b>	KIT ADH HORQ.EC 2011 BE950122511 (u. 1)	
<b>4</b>	STICKER, TOP, HEADLAMP, EC-2011 BE950212511 (u. 1)	<b>OBSOLETO</b>
<b>5</b>	ADH.DCH.FARO DEL.EC-2011 BE95022R3011 (u. 1) <hr/> ADH.IZQ.FARO EC-2011 BE95023R3011 (u. 1)	
<b>6</b>	ADH.BASCUL.EC-2011 BE955002511 (u. 1) <hr/> ADH.BASCUL.RACING 2011 BE95500R3011 (u. 1)	<b>OBSOLETO</b>

**Carrocería**

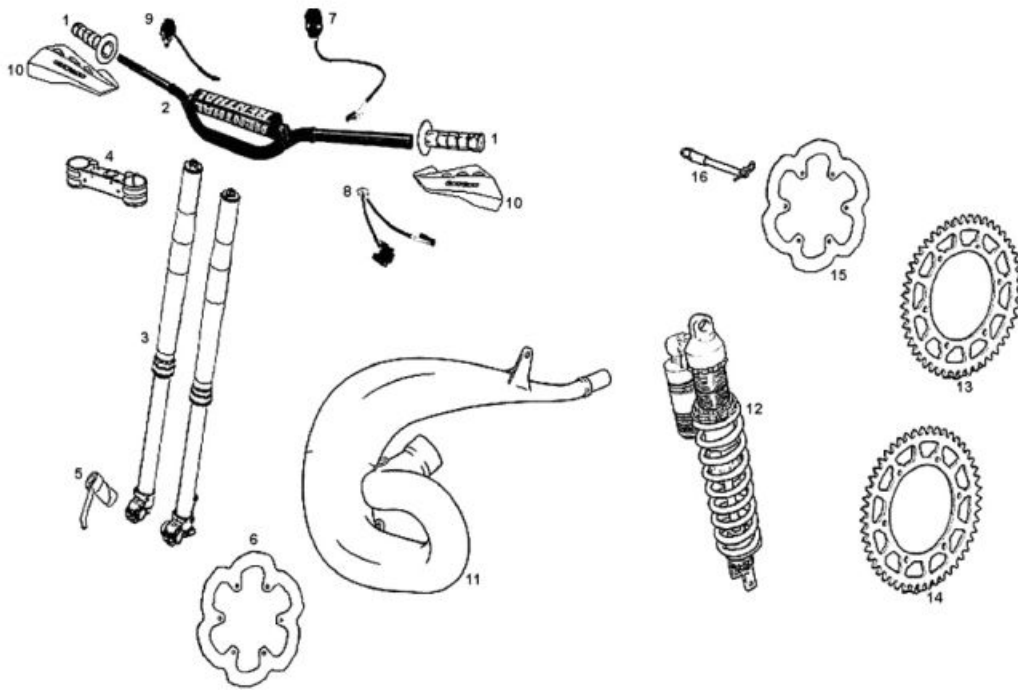


1	PORTAFAROS DEL.BL.EC-2011 BE905002511 (u. 1)	
	CTO.FARO DEL.BL.EC-2011 BE90500CT2511 (u. 1)	<b>OBSOLETO</b>
1	CTO.FARO DEL.COMP.RACING 4T 2013 BFS905014513CT (u. 1)	<b>OBSOLETO</b>
	PORTAFAROS DEL.BL.EC-2011 BE905002511 (u. 1)	
2	GUIA LATIGUILLO SUP.BL. BE905512511 (u. 1)	
3	SOP.FARO BL. 0/000.980.9104 (u. 1)	
	SOP.FARO BL. BE905102511 (u. 1)	<b>OBSOLETO</b>
4	ALARGO REGUL.OPTICA BL. BE905302511 (u. 1)	
5	SOP.FARO - GUARDAB.DEL.BL. BE911002511 (u. 1)	
6	GUIA LATIGUILLO EC 2011 BE215202511 (u. 1)	
7	GOMA SUJETA FARO D.38 PP HP2070291G 0/000.360.9102 (u. 1)	
	GOMA SUJETA FARO D.38 PP HP2070291G BE25636015 (u. 1)	<b>OBSOLETO</b>
9	ARANDELA PLANA 4X12X1 DIN 9021 ZN AG CR3 0/000.440.9119 (u. 1)	
	ARANDELA PLANA 4X12X1 (DIN 9021) T4004012 (u. 1)	<b>OBSOLETO</b>
11	CASQ.TAPA RAD.ALUMINIO(CEX) BE250032060 (u. 1)	

12	CASQ.GUARDAB.+VALONA BE250014118 (u. 1)	
13	TORN.ESP.6x20 DIN 6921 GEOMET 10.9 0/000.460.9120 (u. 1)	
	TORN.ESP.6x20 10.9 ZINC.(CEX) T0206020 (u. 1)	OBSOLETO
14	PORTAMATRICULAS EC-2007 BE250720003 (u. 1)	
14C	LUZ PILOTO TRAS.9149 BE250734015 (u. 1)	
14_	PORTAMATRICULAS EC-2007 BE250720003 (u. 1)	
	CTO.PORTAMATRICULAS EC-2007 BE250720003CT (u. 1)	OBSOLETO
15	ARANDELA 5X12X1.5 T4005012 (u. 1)	OBSOLETO
	ARANDELA 5X12X1.5 DIN 125A ZINC 0/000.440.9121 (u. 1)	
16	TORN.ROSCA PLASTICO 4,5X20 RF77R EC-2007 BE250728058 (u. 1)	OBSOLETO
17	TORN.ROSCA CHAPA 3x9 T1003009 (u. 1)	OBSOLETO
18	TORN.UFK 5x10 DRACOMET T0315010 (u. 1)	
	TORN.UFK M5x12 T0315012 (u. 1)	
19	TORN.ESP.6x20 DIN 6921 GEOMET 10.9 0/000.460.9120 (u. 1)	
	TORN.ESP.6x20 10.9 ZINC.(CEX) T0206020 (u. 1)	OBSOLETO
22	ARANDELA NYLON 6,5x16x1 T06065017 (u. 1)	OBSOLETO
23	CTO.GUARDAB.DEL.BL.EC-2011 BE91000CT2511 (u. 1)	
	CTO.GUARDAB.DEL.EC 450-2013 BFS910004513CT (u. 1)	
24	FUNDA SILLIN EC 2010 BE940012510 (u. 1)	
25	CTO.TAPA RAD.DCH.ROJA EC-2011 BE91500CT2511 (u. 1)	OBSOLETO
26	CTO.TAPA RAD.IZQ.ROJA EC-2011 BE92000CT2511 (u. 1)	OBSOLETO
27	TORN.ESP.M6x30 T0206030 (u. 1)	OBSOLETO
	TORN.ESP.M6x30 DIN 6921 GEOMET 0/000.460.9123 (u. 1)	
28	ARAND.PLASTICO SILLIN EC-2007 23X5.7X2 BE250710213 (u. 1)	
29	CASQ.DEP.=B560040 BE25610007 (u. 1)	
30	CASQ.TAPA RAD.EC 2010 BE915502510 (u. 1)	
31	TORN.ESP.6X16 10.9 ZINC. T0206016 (u. 1)	OBSOLETO
	TORN.ESP.6X16 DIN 6921 ZINC.10.9 0/000.460.9119 (u. 1)	

32	CTO. PARAMANOS POLISPORT EC 2010 NG. BE945002510 (u. 1)	
34	CTO.GUARDAB.TRAS.BL.EC-2011 BE93500CT2511 (u. 1)	
35	TORN.ESP.+ARAND.5x15 DIN 6921 GEOMET 10.9 0/000.460.9115 (u. 1)	
	TORN.ESP.+ARAN.5x10 8.8 ZINCATO BIANC T0205010 (u. 1)	OBSOLETO
36	TORN.ESP.+ARAND.5x15 ZI T0205015 (u. 1)	OBSOLETO
	TORN.ESP.PLASTICO 4X12 CELO RF87T VERZINKT 0/000.460.9160 (u. 1)	
38	TORN.ESP.PLASTICO 4X12 CELO RF87T ZINC. T0804012 (u. 1)	OBSOLETO
	MUELLE TORN.REG.OPTICA BX250020026 (u. 1)	OBSOLETO
39	MUELLE TORN.REG.OPTICA 0/000.470.9107 (u. 1)	
	ALLEN 4X25 ZINC.DIN 912 T0304025 (u. 1)	OBSOLETO
40	ALLEN 4X25 DIN 912 ZINC 0/000.460.9144 (u. 1)	
	GRAPA REG.FARO GRANADA 02130035 BX250020029 (u. 1)	OBSOLETO
41	TUERCA AUTOBL.M-4 (DIN 985) T2104000 (u. 1)	OBSOLETO
	TUERCA AUTOBL.M-4 DIN 985 ZINC 8 0/000.340.9111 (u. 1)	
42	SILLIN EC-2010 BE940002510 (u. 1)	
44	SILENBLOCK SILENCIADOR EC-2000 BE250026005 (u. 1)	

**Componentes Racing**

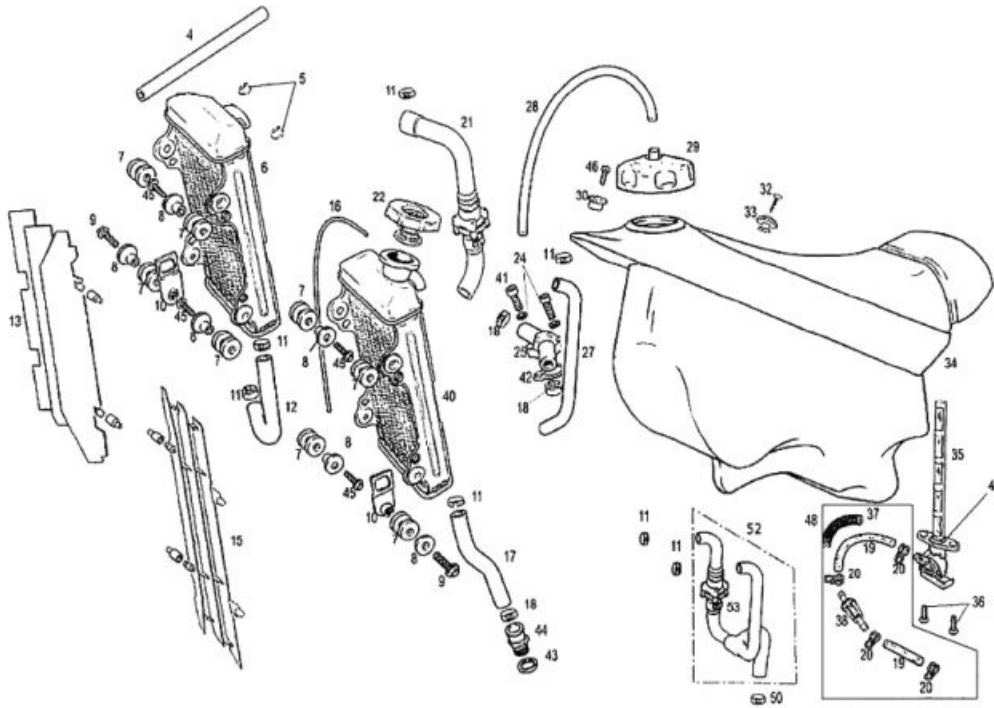


1	JUEGO EMPUÑADURAS RENTHAL (G087A)GRIS OSCURO BE26100GG-CRB-1 (u. 1)	<b>OBSOLETO</b>
	HANDLEBAR PRO GRIP CA0799 BE26100N3010 (u. 1)	<b>OBSOLETO</b>
2	MANILLAR RENTHAL RACING 2010 BE25000R2510 (u. 1)	<b>OBSOLETO</b>
3	SUSP.DEI.MZ.48 RACING 2011 Y1311220 BE20000R3011 (u. 1) - 250, 300 SUSP.DEL.NG.MARZOCCHI SIXDAYS 125-2011 BE20000S1211 (u. 1) - 125	
4	BRIDA INF.SUSP TIT.DIAM 45 EC 125 BE210001210 (u. 1)	
5	TIRADOR EJE DEL.EC 0/000.980.9123 (u. 1) TIRADOR EJE DEL.EC BE536002511 (u. 1)	<b>OBSOLETO</b>
6	DISCO FRENO DELANTERO ENDURO 2018 260mm 0/001.090.9105 (u. 1) FRONT BRAKE DISK WAVE GALFER 0913 BE520002509 (u. 1) DISCO FRENO DELANTERO ENDURO 2018 BE52000GG-CLJ-1 (u. 1)	<b>OBSOLETO</b> <b>OBSOLETO</b>
7	INTERRUPTOR LUZ RACING EE602002511 (u. 1)	
8	ALARGO LUCES RACING EC 2T 2009 EE100152509 (u. 1)	
9	BOTON DE PARO KE9B CEX BC250334055 (u. 1)	
10	CTO. PARAMANOS POLISPORT EC R 2011 RED BE94500R3011 (u. 1)	

<b>11</b>	TUBO ESCAPE EC-2008 BE850002508 (u. 1)	
	TUBO ESCAPE INOX.250 C.C.2011 BE85000R2511 (u. 1)	<b>OBSOLETO</b>
<b>12</b>	AMORT.RACING OHLINS EC-2009 K-52 GG-888 BE30000R2509 (u. 1)	<b>OBSOLETO</b>
<b>13</b>	CORONA Z-48 STEALTH ROJA BE57048R2508 (u. 1)	
<b>14</b>	CORONA Z-50 STEALTH ROJA CEX BE57050R2508 (u. 1)	
<b>15</b>	D.FRENO.TRAS.FLOR EC-2009 DF678WLL BE570002509 (u. 1)	
<b>16</b>	PASADOR PASTILLAS TRAS.002-C50-053 BE250022094 (u. 1)	
	PASADOR PASTILLAS PINZA FRENO TRAS. BE575902511 (u. 1)	<b>OBSOLETO</b>



**Depósito**

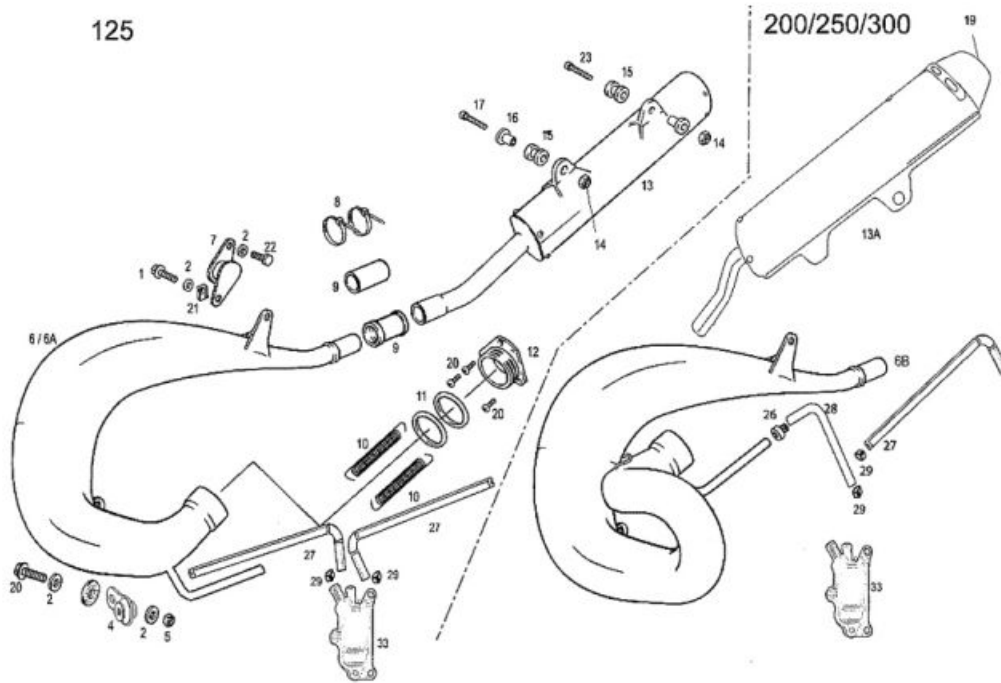


4	TUBO INTERCONEXION RAD.ES BE713002511 (u. 1)	
5	ABRAZ.MUELLE D.12.9-13.6 AMARILLO 020161 BE250210047 (u. 1)	
	RAD.DCH.K0772 EC125-2007 BE120732000 (u. 1)	<b>OBSOLETO</b>
	RAD.DCH.K0782 EC-2007 2T BE250732000 (u. 1)	<b>OBSOLETO</b>
6	RAD.DCH.EC-2014 2T(213.120) BE700003013 (u. 1)	
	RAD.DCH.EC125-2014 (213.118) BE700001213 (u. 1)	
7	GOMA TOPE RAD.49100025 BIE500132031 (u. 1)	
8	CASQ.INF.SUJ.RAD. BE25832040 (u. 1)	
	TORN.ESP.6X16 10.9 ZINC. T0206016 (u. 1)	<b>OBSOLETO</b>
	TORN.ESP.6X16 DIN 6921 ZINC.10.9 0/000.460.9119 (u. 1)	
10	PLASTICO LAT.RAD. BE25632015 (u. 1)	
11	ABRAZ.COBRA DE 22 L200038 (u. 1)	
	TUBO RAD.INF.DCH.O.EC125-2001 BE120132006 (u. 1) - 125	
12	TUBO RAD.INF.DCH.TT 250-96 BE25632006 (u. 1) - 200, 250, 300	
13	REJILLA RADIADOR DERECHA (L) BE250720001 (u. 1)	

15	REJILLA RADIADOR IZQUIERDA (R) BE250720002 (u. 1)	
16	TUBO SOBRANTE RAD.5X8 - 39cm.- TT-96 BE25632009 (u. 1)	OBSOLETO
	TUBO SOBRANTE RAD.5X8 - 39cm.- TT-96 0/000.290.9117 (u. 1)	
17	TUBO RAD.INF.IZQ.EC 250-2004 BE250432007 (u. 1) - 200, 250, 300	
	TUBO RAD.INF.IZQ.-DCH.EC125-2003 BE25632007 (u. 1) - 125	
18	ABRAZ.COBRA-21 L200046 (u. 1)	OBSOLETO
	ABRAZ.COBRA D.21 INOX A2 0/000.680.9105 (u. 1)	
19	CTO.TUBO DESVAP.GASOLINA 26cm 0/000.290.9115 (u. 1)	
	CTO.TUBO DESVAP.GASOLINA 26cm BT280310018 (u. 1)	OBSOLETO
	TUBO GASOLINA TT-96 = 16cm. BE25636004 (u. 1)	OBSOLETO
20	ABRAZ.MOLLA M-11.6-12.3 ZINC CR3 0/000.680.9102 (u. 1)	
	ABRAZ.MOLLA M-11.6-12.3 ROSA 02016098 BE25610044 (u. 1)	OBSOLETO
21	CTO.TUBO TERMOSTATO 250/300 2011 BE710102511 (u. 1)	
	CTO.TUBO TERMOSTATO 125 2011 BE710101211 (u. 1)	OBSOLETO
22	TAPON RADIADOR 1.8 (214T2618) BFS701504509 (u. 1)	
24	ARANDELA COBRE 6X10X1.5 TORN.VAC.AGUA CI 0/000.440.9122 (u. 1)	
	ARANDELA COBRE 6x10x1.5 TAPA TERMOSTATO ME25916002 (u. 1)	OBSOLETO
	ARANDELA COBRE 6X10X1.5 TORN.VAC.AGUA CI T4006008 (u. 1)	OBSOLETO
25	TAPA TERMOSTATO ENDUCROSS 2003 ME250316001 (u. 1)	
27	TUBO RAD.SUP.IZQ.EC-2007 2T BE250732002 (u. 1)	
28	TUBO DESVAPOR.TAP.GAS.(20cm.SIN VALV.) BE250520011 (u. 1)	
29	CTO.TAP.GASOLINA+TUBO EC 2014 BE76010CT-CAB-1 (u. 1)	
	TAP.GASOLINA 2005 06000109 BE250520010 (u. 1)	OBSOLETO
	CTO.TAP.GASOLINA+TUBO BE250520010CT (u. 1)	OBSOLETO
30	CASQ.DEP.=B560040 BE25610007 (u. 1)	
32	TORN.c/plana 4.5x25 T0610001 (u. 1)	OBSOLETO
33	CASQ.TORN.DEP.EC50cc BIE050210007 (u. 1)	
34	DEP.GASOL.EC-2010 BE760002510 (u. 1)	OBSOLETO

35	GRIFO GASOLINA EC-2010 2T 01Z3314219 BE760202510 (u. 1)	
36	ULS 6X12 T0506012 (u. 1)	OBSOLETO
37	MUELLE PROTECCION TUBO GASOLINA BE25910068 (u. 1)	
38	FILTRO GASOLINA EC 1FL0001 BE25610051 (u. 1)	
40	RAD.IZQ.EC-250-2014 2T(213.119) BE700503013 (u. 1)	
	RAD.IZQ.K0701 EC125-2007 BE120732001 (u. 1)	OBSOLETO
	RAD.IZQ.EC-125 TAP.1,8 BAR (213.123) BE700501211 (u. 1)	
	RAD.IZQ.K4630 EC-2007 2T BE250732001 (u. 1)	OBSOLETO
41	ALLEN 5x30 8.8 DRACOMET T0305030 (u. 1)	
42	JUNTA TAPA TERMOSTATO ME25944011 (u. 1)	
43	ARAN.FIBRA 14X20X2 RACORD ENTRADA AGUA = ME25610014 (u. 1)	
44	RACORD ENTRADA AGUA ME25610013 (u. 1)	
45	ALLEN 6X20 12.9 T0306020 (u. 1)	
	TORN.ESP.6x20 10.9 ZINC.(CEX) T0206020 (u. 1)	OBSOLETO
	TORN.ESP.6x20 DIN 6921 GEOMET 10.9 0/000.460.9120 (u. 1)	
46	TORN.ESP.6x20 10.9 ZINC.(CEX) T0206020 (u. 1)	OBSOLETO
	TORN.ESP.6x20 DIN 6921 GEOMET 10.9 0/000.460.9120 (u. 1)	
47	TORICA GRIFO GASOLINA 10X2.5 B740120 (u. 1)	
48	FUEL FILTER SET BEH200610133 (u. 1)	OBSOLETO
50	ABRAZ.COBRA 25 BE120132052 (u. 1)	
52	CTO.TUBO TERMOSTATO 125 2011 BE710101211 (u. 1)	OBSOLETO
53	CUERPO TERMOSTATO SM BE250432070 (u. 1) - 125	

Escape

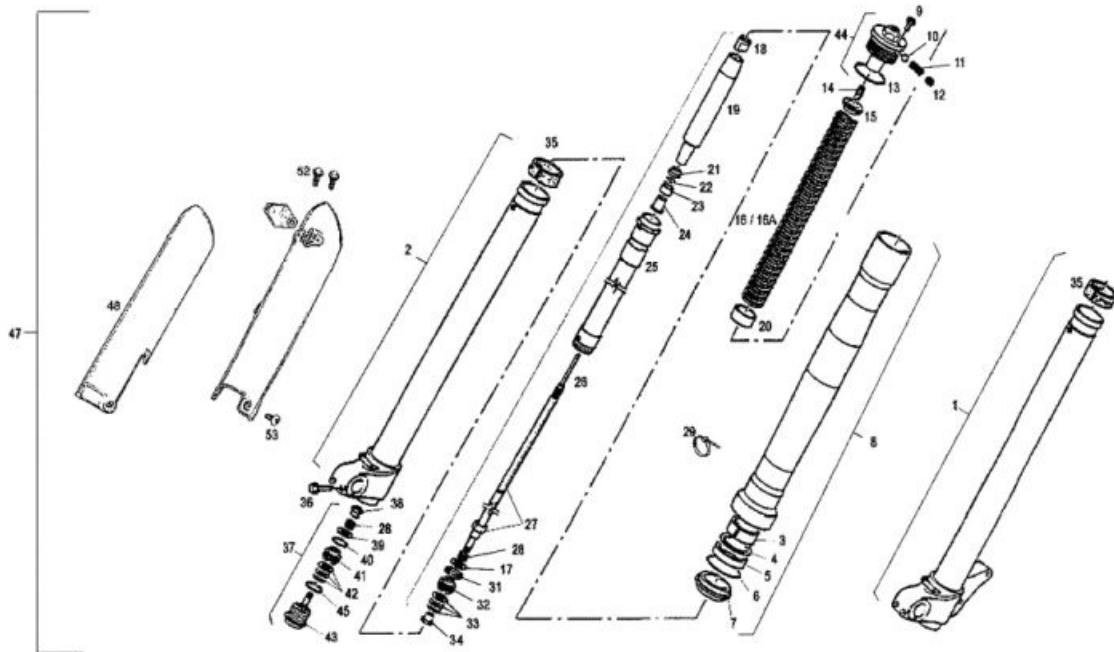


1	EXAG.6x15 12.9 T0106015 (u. 1)	
2	ARANDELA 6X18X1.5 DIN 9021 ZINC 0/000.440.9126 (u. 1)	
	ARANDELA 6X18X1.5 (DIN 9021) T4006018 (u. 1)	<b>OBSOLETO</b>
	SILENBLOC ESCAPE CROSS 50CC BIC050526004 (u. 1) - 300	
4	SILENBLOC ESCAPE CROSS 50CC BIC050526004 (u. 1) - 200, 250	
	SILENBLOC ESCAPE 10942 BE25626004 (u. 1) - 125	
5	TUERCA AUTOBL.BAJA M-6 (DIN 985) T2106001 (u. 1)	<b>OBSOLETO</b>
	TUERCA AUTOBL.BAJA M-6 DIN 985 ZN CR3 6 0/000.340.9113 (u. 1)	
6	TUBO ESCAPE EC125-2009 BE850001209 (u. 1) - 125	
	TUBO ESCAPE EC-2008 BE850002508 (u. 1) - 200, 250, 300	
6	TUBO ESCAPE EC125-2009 BE850001209 (u. 1) - 125	
7	SILENBLOC ESCAPE 10942 BE25626004 (u. 1)	
8	BRIDA UNEX NYLON 2244 16/102 4.8X36 0/000.660.9104 (u. 1)	
	ABRAZADERA INSTALACION 0/000.680.0060 (u. 1)	
	BRIDA UNEX 2244 16/102 4.8X36 BE25634007 (u. 1)	<b>OBSOLETO</b>

	JUNTA ESCAPE 250 SILIC.5916 BE25626003 (u. 1)	OBSOLETO
9	JUNTA ESCAPE DE SILIC.ST.3223 BE12626003 (u. 1) - 125	
	JUNTA ESCAPE 250 SILIC.5916 0/000.490.9103 (u. 1)	
10	MUELLE ESCAPE EC 0/000.470.9106 (u. 1)	
	MUELLE ESCAPE EC BE86050GG-EKF-1 (u. 1)	OBSOLETO
	MUELLE ESCAPE BE25610042 (u. 1)	OBSOLETO
11	TORICA TUBERA ESCAPE 44X3 FP (viton) BE250526006 (u. 1)	
12	TUBERA ESCAPE 2005 ME250516019 (u. 1) - 200, 250, 300	
	TUBERA ESCAPE INOX.EC125-2003 ME120316019 (u. 1) - 125	
13	SILENC.HOMOL.EC125-2007 BE120726002H (u. 1) - 125	
13	SILENC.FMF- 2010 BE87010R2510 (u. 1)	OBSOLETO
	SILENC.HOMOL.EC125-2007 BE120726002H (u. 1) - 125	
14	TUERCA AUTOBLOC.DIN-6926 M-6 C/ARAND ZN T2206002 (u. 1)	OBSOLETO
	TUERCA AUTOBLOC. M-6 C/ARAND DIN-6926 ZINC 0/000.340.9117 (u. 1)	
15	SILENBLOCK SILENCIADOR EC-2000 BE250026005 (u. 1)	
16	CASQ.SILENTBLOCK SILENC.22X16 BE87300R2509 (u. 1) - 200, 250, 300	
17	ALLEN 6x30 12.9 T0306030 (u. 1)	
19	REMACHE D.4x10 ALUMINI SILENC.EC-2000 BE250026032 (u. 1)	OBSOLETO
20	EXAG.6x14+ARANDELA INCORP. T0206014 (u. 1)	OBSOLETO
	EXAG+ARANDELA 6x14 DIN 6921 0/000.460.9118 (u. 1)	
21	TUERCA NUT 956 RAPIDA M-6 HRC 40/48 0/000.340.9120 (u. 1)	
	TUERCA NUT 956 M-6 HRC 40/48 T2606000 (u. 1)	OBSOLETO
22	TORN.ESP.6X16 DIN 6921 ZINC.10.9 0/000.460.9119 (u. 1)	
	TORN.ESP.6X16 10.9 ZINC. T0206016 (u. 1)	OBSOLETO
23	ALLEN 6X50 DIN 912 12.9 COMPLETAMENTE ROSCADO GEOMET T0306050 (u. 1)	OBSOLETO
26	FILTRO AIRE SECUNDARIO TRIAL PRO 2006 CE BT280626059 (u. 1)	
27	TUBO AIRE SECUNDARIO CORTO EC-2009 BE785502509 (u. 1)	OBSOLETO
	TUBO AIRE SECUNDARIO CORTO EC-2009 0/000.290.9110 (u. 1)	

<b>28</b>	TUBO AIRE SECUNDARIO LARGO EC-2009 BE785551209 (u. 1)	<b>OBSOLETO</b>
	TUBO AIRE SECUNDARIO LARGO EC-2009 0/000.290.9111 (u. 1)	
<b>29</b>	ABRAZ.COBRA D.14 W4 (REF.1087006014) MFS450410031 (u. 1)	
<b>33</b>	VALV.AIRE SECUNDARIO EC-2009 RV-1-037 0/000.640.9100 (u. 1)	<b>OBSOLETO</b>
	VALV.AIRE SECUNDARIO EC-2009 RV-1-037 BE785652509 (u. 1)	

**Horquilla delantera Marzocchi**



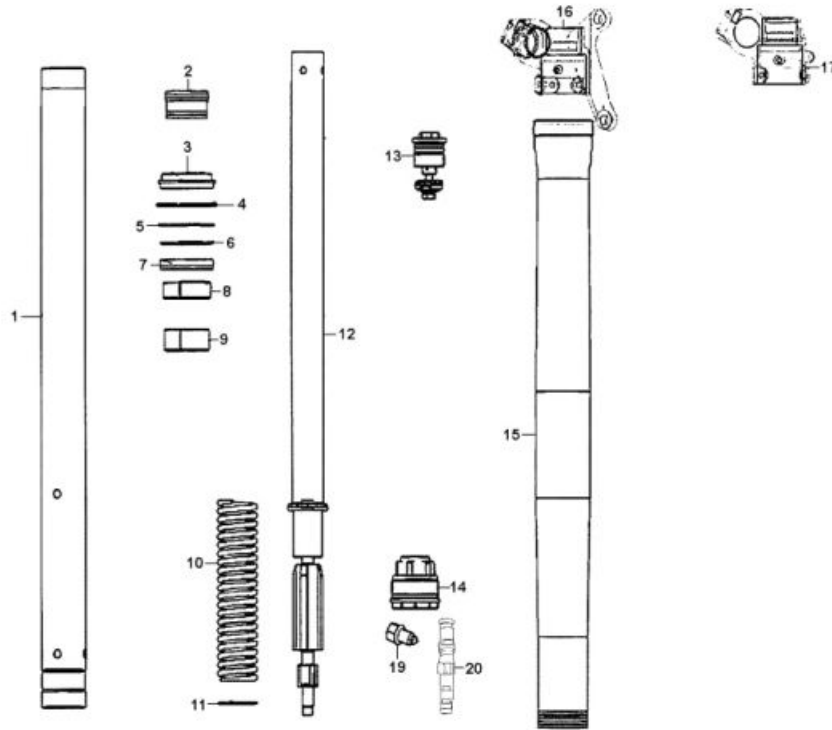
1	BASE+BARRA IZQ.819191/C BE250414143 (u. 1)	
2	BASE+BARRA DCH.819190/C BE250414142 (u. 1)	
3	GLACIER BOTELLA 538103 50x45x15 BE250314131 (u. 1)	
4	CLOSE RING BE250114133 (u. 1)	OBSOLETO
5	SUSPENSION SEAL C240701 (u. 1)	OBSOLETO
6	ANILLO DE CIERRE BE25714132 (u. 1)	OBSOLETO
7	GUARDAPOLVO D.45 58.4 4.6 14 BE25714131 (u. 1)	
8	BOTELLA SUS.760086LA/C 2005 BE250514110 (u. 1)	
9	BOLT AND O-RING BE25714103 (u. 1)	OBSOLETO
10	BOLA REGUL.525007 BE250114225 (u. 1)	OBSOLETO
11	MUELLE TAP.REGUL.5141027 BE250114226 (u. 1)	OBSOLETO
12	TORN.PEQUEÑO TAP.REGUL.520220AA BE250114227 (u. 1)	OBSOLETO
13	TORICA TAP.REGUL. BE250114104 (u. 1)	
14	REGULATION BUSHING BE250114112 (u. 1)	OBSOLETO
15	CASQ.GUIA MUELLE 536071 BE250114107 (u. 1)	

16_	KIT MUELLE Y CASQ.850285 40 BE250114228 (u. 1)	
	MUELLE K=4,2 - 5141146/1 BE250114268 (u. 1)	
16	MUELLE K=4,2 - 5141146/1 BE250114268 (u. 1)	
18	TUERCA BLOQUEADOR M12X25 521119KM BE250114242 (u. 1)	OBSOLETO
20	FRE BE120514109 (u. 1)	
21	TOPE DE FONDO 521164 BE250114230 (u. 1)	OBSOLETO
22	ANILLO RETENCION 523218 BE250114231 (u. 1)	OBSOLETO
24	TOPE FONDO USD D45 532911 BE250114233 (u. 1)	OBSOLETO
26	VARILLA INTERNA 556492 BE250114234 (u. 1)	
27	CTO.HIDRAULICO 8031331 BE250514116 (u. 1)	
28	MUELLE 5141087 BE250114118 (u. 1)	OBSOLETO
29	ABRAZADERA INSTALACION 0/000.680.0060 (u. 1)	
	BRIDA UNEX 2244 16/102 4.8X36 BE25634007 (u. 1)	OBSOLETO
31	BRIDA UNEX NYLON 2244 16/102 4.8X36 0/000.660.9104 (u. 1)	
	PISTON SEGMENT BE250114120 (u. 1)	OBSOLETO
33	ARANDELA SUSP.19X8.1X0.1 BE250114239 (u. 1)	OBSOLETO
	ARANDELA SUSP.17X8.1X0.1 BE250114240 (u. 1)	OBSOLETO
	ARANDELA SUSP.21X8.1X0.1 BE250114241 (u. 1)	OBSOLETO
	ARANDELA SUSP.15X8.1X0.1 BE250114238 (u. 1)	OBSOLETO
34	VALV.BASE 521092/D BE250114126 (u. 1)	OBSOLETO
35	CASQ.INT.BOTELLA 538095 BE250114128 (u. 1)	
36	TORN.6X30 520339AR>A BE250114144 (u. 1)	OBSOLETO
	TORN.ESP.M6x30 DIN 6921 GEOMET 0/000.460.9123 (u. 1)	
	TORN.ESP.M6x30 T0206030 (u. 1)	OBSOLETO
37	GRUPO AMORT.717090/R BE250514124 (u. 1)	OBSOLETO
40	TORICA 2087 D21.95 S1.78 BE250114246 (u. 1)	OBSOLETO
43	ADJUSTING VALVE BE250514249 (u. 1)	OBSOLETO
44	CTO.TAP.REGUL.701166/R BE250114105 (u. 1)	OBSOLETO



45	TORICA 2100 D25.1 S1.78 528152 BE250114250 (u. 1)	
47	SUSP.DEL.(BOTELLA ROJA) 1311106 EC-125-2 BE200001210 (u. 1)	
48	JUEGO PROT.HORQ.NG.EC-REPL.2013 BE946003013 (u. 1)	
	JUEGO PROT.HORQ.ROJO EC-2011 BE946002511 (u. 1)	<b>OBSOLETO</b>
52	TORN. ESPECIAL PLASTICO 5X20 RF87T T0805020 (u. 1)	<b>OBSOLETO</b>
53	TORN.ESP.TORX 6X13+CASQ. T0316013 (u. 1)	

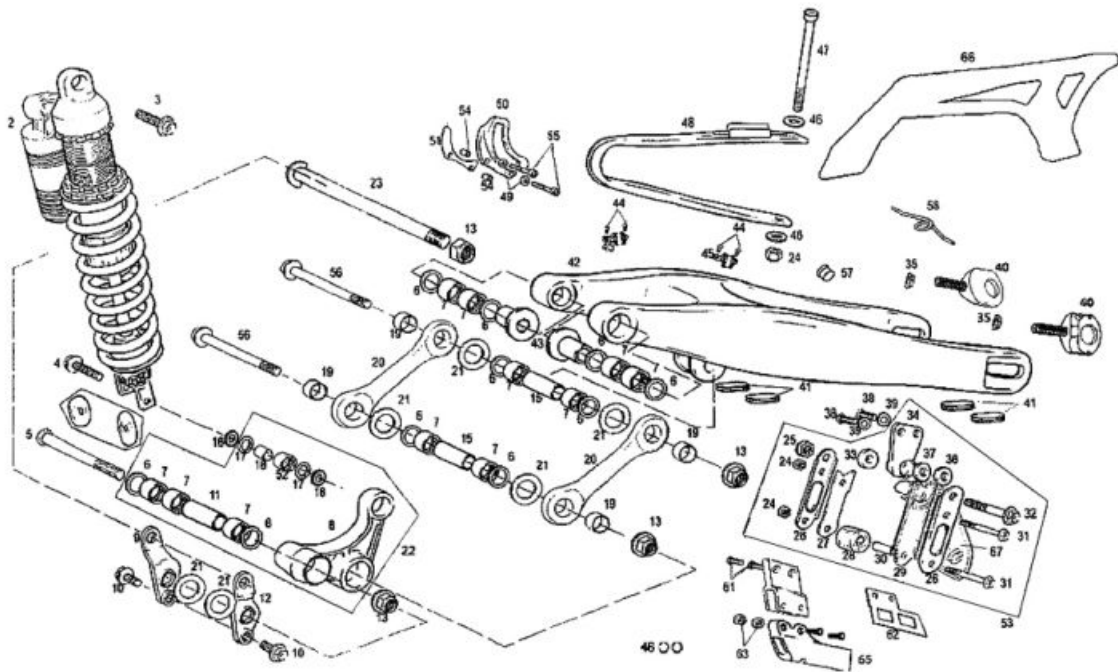
**Horquilla delantera Sachs**



1	BARRA SUSP.EC-2009 000TIN50211 BE201852509 (u. 1)	<b>OBSOLETO</b>
2	CASQ.INT.MAS TORICA 000RIC50628 (u. 1)	
2	CASQ.INT.MAS TORICA EC-2009 000RIC5034 BE200552509 (u. 1)	<b>OBSOLETO</b>
3	GUARDAPOLVO SUSP.EC-2009 000PA050180 BE200502509 (u. 1)	
4	SEGGER 64,5 000PA050020 BE200352509 (u. 1)	<b>OBSOLETO</b>
5	SEGGER 58,45 000PA050021 BE200402509 (u. 1)	<b>OBSOLETO</b>
6	ARANDELA ESPESOR SUSP.EC-2009 000PA05001 BE200202509 (u. 1)	
7	RETEN SUSP.EC-2009 000PA050179 BE203702509 (u. 1)	
8	CASQ.FRICCION SUSP.EC-2009 52/48 L15 000 BE200252509 (u. 1)	
9	CASQ.FRICCION SUSP EC.2009 49/47 L20 000 BE200302509 (u. 1)	
10	MUELLE SUSP.EC-2009 000ML050260 BE201702509 (u. 1)	<b>OBSOLETO</b>
10	MUELLE SUSP.RC 2009 000ML050212 BE20170RC2509 (u. 1)	<b>OBSOLETO</b>
11	ARANDELA SUSP.EC-2009 000PA050087 BE200652509 (u. 1)	<b>OBSOLETO</b>
12	CTO.HIDRAULICO EXTENSION SUSP.EC.-2009 S BE200602509 (u. 1)	
12	CTO.HIDRAULICO EXTENSION RC 2009 000RIC5 BE20060RC2509 (u. 1)	<b>OBSOLETO</b>

<b>13</b>	TAP.REGUL.COMPRESSION RC 2009 000RIC50391 BE20125RC2509 (u. 1)	<b>OBSOLETO</b>
	TAP.REGUL.COMPRESSION EC-2009 STC52489360 BE201252509 (u. 1)	<b>OBSOLETO</b>
<b>14</b>	CTO.TAP.MAS REGUL.EXTENSION EC-2009 000P BE201302509 (u. 1)	
	CTO.TAP.REGUL.EXTENSION RC 2009 000RIC50 BE20130RC2509 (u. 1)	<b>OBSOLETO</b>
<b>15</b>	TUBO EXT.ALU.SUSP.EC-2009 000PAA50215 BE201002509 (u. 1)	<b>OBSOLETO</b>
<b>16</b>	PUNTERA IZQ+SOP.FRENO EC-2009 000PAA5018 BE201102509 (u. 1)	<b>OBSOLETO</b>
<b>17</b>	PUNTERA DCH.SUSP.EC-2009 000PAA50188 BE201202509 (u. 1)	
<b>19</b>	TORICA TAP.MAS REGUL.SUSP. BE201402509 (u. 1)	<b>OBSOLETO</b>
<b>20</b>	TORN.REGULAC.TAP.REGUL. PA050523 BE201602509 (u. 1)	

**Horquilla trasera**



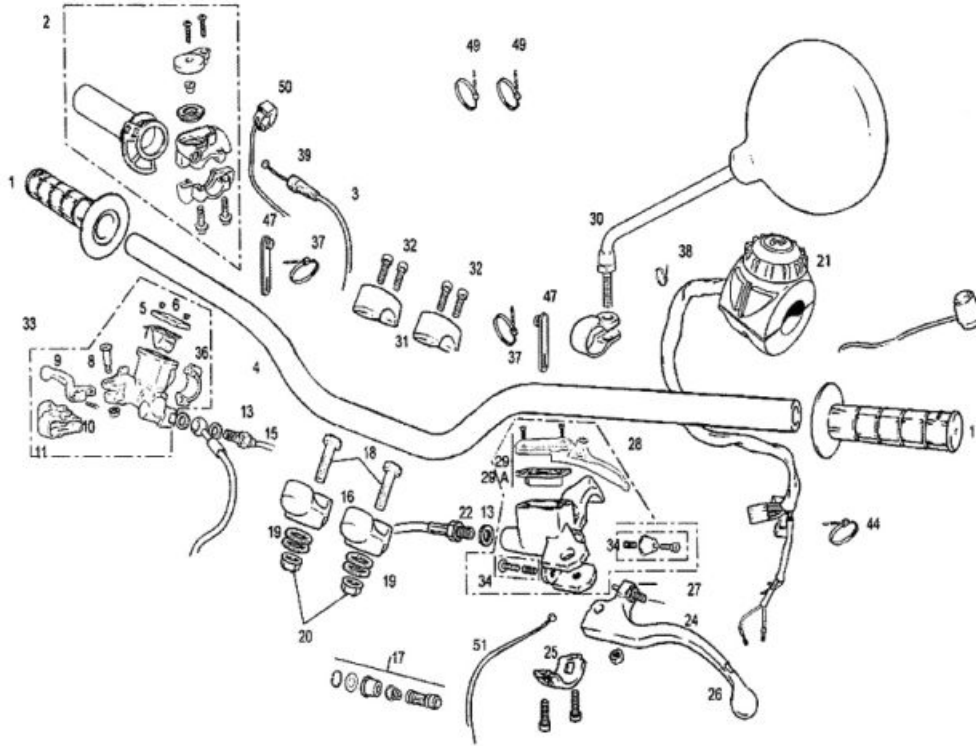
2	AMORT.EC 125-2009 K50 315642530 BE300001209 (u. 1) - 125	
	AMORT.EC-2009 K52 315642520 BE300002509 (u. 1)	<b>OBSOLETO</b>
3	PERNO 10X60 ISO 898-1 GEOMET 10.9 0/000.460.9131 (u. 1)	
	PERNO 10X55 10.9 GEOMET ISO 898-1 T0210055 (u. 1)	<b>OBSOLETO</b>
4	HEXAG.+ARANDELA 10X45 PAS 125 DACROMET T0210045 (u. 1)	<b>OBSOLETO</b>
5	TORN.ESP.14X110 1.50 FIL.20 IN 12.9 T0214110 (u. 1)	<b>OBSOLETO</b>
	TORN.ESP.14X110 1.50 FIL.25 12.9 MEC.INT T0214110R (u. 1)	<b>OBSOLETO</b>
6	TORICA 3.5X21 BE250510011 (u. 1)	
7	JAULA AGUJAS DIAM.EXT 28 DIAM.INT.22 ANC BE25614010 (u. 1)	
8	BALANCIN TT BE25614005 (u. 1)	
9	SOP.BALANCIN DCH.O.ALUMINIO BE250314006 (u. 1)	
10	TORN.ESP.12X25X1.25 FIL.20 12.9 T02012025 (u. 1)	<b>OBSOLETO</b>
	TORN.ESP.12X25X1.25 FIL.20 12.9 GEOMET 0/000.460.9114 (u. 1)	
11	CASQ.14X22X62.5 BE25612005 (u. 1)	
12	SOP.BALANCIN IZQDO.ALUMINIO BE250314007 (u. 1)	

13	TUERCA BASC.TT 49650 0/000.340.9103 (u. 1)	
	TUERCA BASC.TT 49650 BE25612009 (u. 1)	OBSOLETO
15	CASQ.14X22X57 BE25612014 (u. 1)	
16	ARANDELA REGL.21X10.2X1 T4001022 (u. 1)	
17	TORICA BIELETA 15X3.5 BE25814015 (u. 1)	
18	CASQ.INF.AMORT.D.16X21x10 (BALANCIN) BE25642005 (u. 1)	
19	CASQ.BIELETA TT BE25642002 (u. 1)	
20	BIELETA CROSS 122 BC250014008 (u. 1) - 200, 250, 300	
	BIELETA CROSS 122 BC250014008 (u. 1) - 125	
	BIELETA 123 EC125cc BE120114008 (u. 1) - 125	
21	ARANDELA 22.4x36X0.7 REGLAJE CASQ.BASC y T4022036 (u. 1)	
22	BALANCIN EC COMP. BE250514005CT (u. 1)	
23	EJE BASCUL.EC250-2003 BE250312008 (u. 1)	
24	TUERCA AUTOBL.M-6 ALTA(CEX) T2106002 (u. 1)	OBSOLETO
25	TUERCA AUTOBL.M-8 BAJA DIN 985 ZINC 0/000.340.9114 (u. 1)	
	TUERCA AUTOBLOCANTE M-8 BAJA DIN 985 ZINC. T2108001 (u. 1)	OBSOLETO
26	PLATINA GUIA CADENA BE25912017 (u. 1)	
27	TIRA NYLON ANTIRUIDO TT BE25612022 (u. 1)	
28	RODILLO GUIA CAD.13.5X32X23.5 BE25610032 (u. 1)	
29	PROT.GUIA CADENA EC-2009 BE450202509 (u. 1)	
30	CASQ.GUIA CADE.TT BE25610025 (u. 1)	
31	TORN.ESP.6X45 8.8 ZINC. T0206045 (u. 1)	OBSOLETO
	TORN.ESP.6x40 Fil.20 GEOMET 10.9 0/000.460.9125 (u. 1)	
	TORN.ESP.6x40 Fil.20 GEOMET 10.9 0/000.460.9125 (u. 1)	
32	TORN.ESP.8X45 8.8 ZINC. T0208045 (u. 1)	OBSOLETO
33	BIG CHAIN GUIDE SUPPORT SPACER BE25612021 (u. 1)	OBSOLETO
34	SOPOR.GUIA CADENA BE25612018 (u. 1)	OBSOLETO

	TUERCA DIN 6923 ZINC 8.8 ESP.10/150 C13 0/000.340.9105 (u. 1)	
35	TUERCA CIL.8.8 ESP.10/150 C13 =ME2561603 M01613001 (u. 1)	OBSOLETO
	TUERCA CIL.ESP.10/150 C13 = M01613001 ME25616031 (u. 1)	OBSOLETO
36	DISTANC.SOP.GUIA CADENA PEQ. BE25612020 (u. 1)	OBSOLETO
	CASQ.6.25X25X3.5 T90062250004K (u. 1)	OBSOLETO
37	CHAIN GUIDE HOLDER SILENBLOCK BE25612019 (u. 1)	OBSOLETO
38	EXAG.8X20 (DIN 933) TODO ROS. T0108020 (u. 1)	OBSOLETO
39	GUARNIZ. FISSAGGIO TELAIO PARTE POST. 0/000.440.0160 (u. 1)	
	ARANDELA DE 8X16X1,5 T4008016 (u. 1)	OBSOLETO
40	CTO.TENSOR RUEDA 2004 BE250418022CT (u. 1)	
	TENSOR RUEDA 2004 BE250418022 (u. 1)	OBSOLETO
41	GOMA PROT.BASCUL. BE25836005 (u. 1)	
42	BASCUL.EC-NG. BE250612002RC (u. 1)	
43	CASQ.BASCUL.EC2003 BE250312007 (u. 1)	
44	ULS 5X12 T0505012 (u. 1)	OBSOLETO
45	SUJ.LATIG.SOBRE BASC. BE25612006 (u. 1)	OBSOLETO
	SUJ.LATIG.SOBRE BASC. 0/000.630.9101 (u. 1)	
46	ARANDELA 6X18X1.5 (DIN 9021) T4006018 (u. 1)	OBSOLETO
	ARANDELA 6X18X1.5 DIN 9021 ZINC 0/000.440.9126 (u. 1)	
47	ALLEN 6 X 100 12.9 T03060100 (u. 1)	
48	PATIN CADENA EC-FSR 2008 BE420502508 (u. 1)	
49	ARANDELA PLANA 6X12X1.5 (DIN 125) T4006012 (u. 1)	OBSOLETO
	ARANDELA PLANA 6X12X1.5 DIN 125 ZINC 0/000.440.9124 (u. 1)	
50	PROT.PIÑON PLASTICO NG.EC-2008 BE486002508 (u. 1)	
51	PLATINA PROT.PIÑON ME25636021 (u. 1)	
52	JAULA AGUJAS DL1612 (IGBM2212) BE25614009 (u. 1)	
53	CTO.GUIA CADENA COMP.EC-2009 BE42000CT2509 (u. 1)	

54	CASQ.DIST.PIÑON ME250036019 (u. 1)	OBSOLETO
	CASQ.DIST.PIÑON 0/000.980.9112 (u. 1)	
55	ALLEN 6x45 DIN 912 ZINC 12.9 0/000.460.9149 (u. 1)	OBSOLETO
	ALLEN 6x45 12.9 T0306045 (u. 1)	
56	TORN.ESP.14x95x1.5 FIL.20 IN 12.9 T0201495 (u. 1)	OBSOLETO
	TORN.ESP.14X95X1.5 FIL.20 12.9 MEC.INT. T0201495R (u. 1)	
57	TAP.BASCUL.REF.12980 BE250436001 (u. 1)	
58	MUELLE TENSOR RUEDA TRAS.EC-2007 2T BE250718122 (u. 1)	
61	ALLEN 8X20 T0308020 (u. 1)	
62	PLACA REFUERZO GUIA CADENA CROSS 2004 BC250412032 (u. 1)	
63	TUERCA AUTOBLOC. M-6 C/ARAND DIN-6926 ZINC 0/000.340.9117 (u. 1)	OBSOLETO
	TUERCA AUTOBLOC.DIN-6926 M-6 C/ARAND ZN T2206002 (u. 1)	
65	GUIA CADENA ABIERTA BE420002511 (u. 1)	
66	PROT.CADENA ENDURO 2003 BE250328011 (u. 1)	
67	PROT.GUIA CADENA EC-2009 BE450202509 (u. 1)	

**Manillar**



	JUEGO EMPUÑADURA GRIS PRO GRIP CA0794 BE261002511 (u. 1)	<b>OBSOLETO</b>
<b>1</b>	JUEGO EMPUÑADURA EC 2016 NEGRO BE26100GG-EKF-1 (u. 1)	<b>OBSOLETO</b>
	JUEGO EMPUÑADURA EC 2016 NEGRO 0/000.530.9102 (u. 1)	
<b>2</b>	PUÑO GAS TT (3291.03.00-1) 0/000.530.9100 (u. 1)	
	PUÑO GAS TT (3291.03.00-1) BE25724007 (u. 1)	<b>OBSOLETO</b>
<b>3</b>	CABLE DE GAS EC-2009 BE785002509 (u. 1)	
<b>4</b>	MANILLAR EC 2011 DIAM.VAR.COLOR TITANEO BE250002511 (u. 1)	
	MANILLAR EC RACING 2014 MT339KP 0/000.170.9100 (u. 1)	
	MANILLAR EC RACING 2014 MT339KP BE25000GG-CAB-1 (u. 1)	<b>OBSOLETO</b>
<b>5</b>	TAPA BOMBA 009-M91-099 BC25922210 (u. 1)	
<b>6</b>	TORN.TAPA BOMBA 049-Z02-064 BC25922217 (u. 1)	
<b>7</b>	GOMA ANTIESPUMANTE 003-M68-042 BC25922216 (u. 1)	
<b>8</b>	TORN.ESP.083-M87-012 BC25922212 (u. 1)	
<b>9</b>	MANETA FRENO TT250 2904 ( 3274 ) BC250022045R (u. 1)	
<b>10</b>	TENSOR MANETA NISSIN 003-M84-107 BC25922218 (u. 1)	

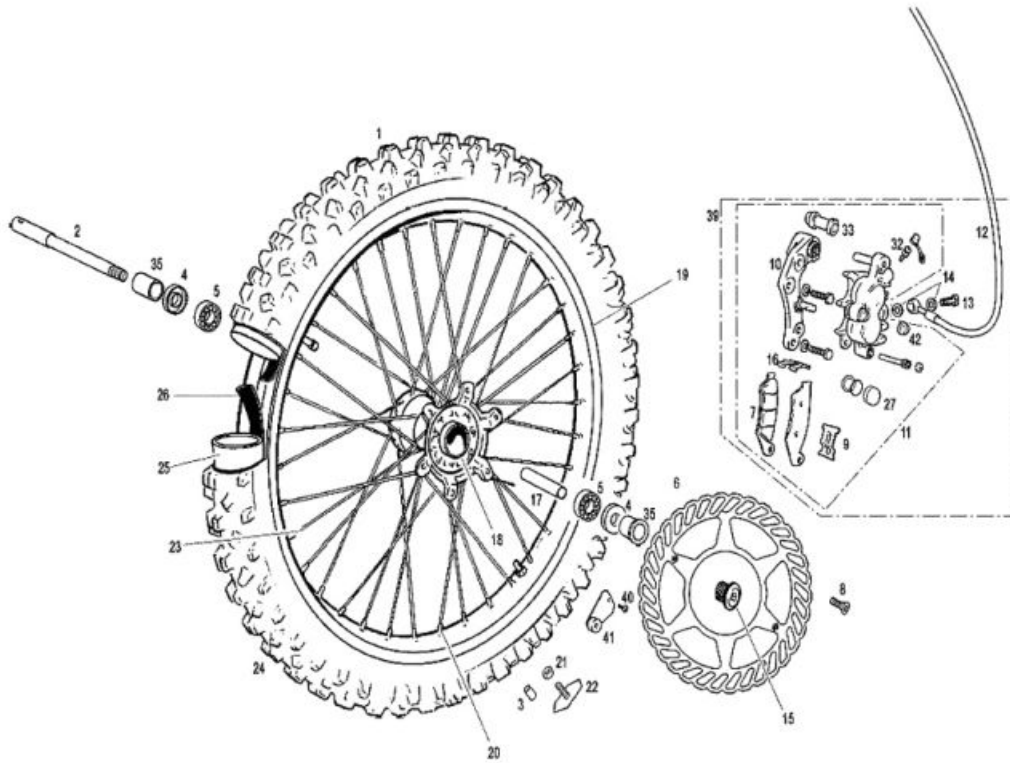


11	GUARDAPOLVO BC25922213 (u. 1)	
13	ARANDELA LATIGUILLO 10X14X1 BE25622007 (u. 1)	
15	INTERRUPTOR 23-016/1 STOP BOMBA NISSIN 3 BE250334003 (u. 1)	OBSOLETO
	INTERRUPTOR 23-016/1 STOP BOMBA NISSIN 3 0/000.720.9104 (u. 1)	
16	BRIDA SUJ.MANILLAR INF.VAR.2006 BE250614013 (u. 1)	
17	KIT PISTON FRENO A 113-MK1-GAS BC25922219 (u. 1)	
18	TORN.ESP.10X45 BRIDA INF. G5 12.9 0/000.460.9113 (u. 1)	
	TORN.ESP.10X45 BRIDA INF. T0201045 (u. 1)	OBSOLETO
19	DIST.BRIDA INF.MANILLAR EC2003 BE250314035 (u. 1)	
20	TUERCA DIN 6923 ZINC 8.8 ESP.10/150 C13 0/000.340.9105 (u. 1)	
	TUERCA CIL.8.8 ESP.10/150 C13 =ME2561603 M01613001 (u. 1)	OBSOLETO
21	CONMUTADOR LUCES EC-2008 EE602002508 (u. 1)	
22	LATIGUILLO EMBR.ENDURO (FK003CE021E) BE250522003 (u. 1)	
24	TORN.REGUL.MANETA BT27922046 (u. 1)	OBSOLETO
25	SOP.BOMBA EMBR. BE250022211 (u. 1)	OBSOLETO
26	MANETA EMBR.134.75.001.2C CEX BE250622040 (u. 1)	OBSOLETO
	MANETA EMBR.PLATA 134.75.001C E200701 (u. 1)	
	Clutch Lever Medium Silver BT27922040 (u. 1)	OBSOLETO
27	TUERCA M-6 BAJA DIN 936 T2006001 (u. 1)	
28	CTO.BOMBA EMBR.+LEVA EC-2008 EURO 3 BE460002508 (u. 1)	
	BOMBA EMBR.ACEITE 650.00.703C BE250522009 (u. 1)	
29	KIT TAPA BOMBA EMBR. BE250522210 (u. 1)	OBSOLETO
	KIT TAPA EMBR.VERDE 180.00.109 BE250622210 (u. 1)	
29_	KIT TAPA BOMBA EMBR. BE250522210 (u. 1)	OBSOLETO
	TAPETA BOMBA EMBR.+LEVA EC-2008 180.00.3 BE460012508 (u. 1)	
	KIT TAPA EMBR.VERDE 180.00.109 BE250622210 (u. 1)	

	ESPEJO RETROVISOR(CEX) L300760 (u. 1)	
<b>30</b>	CTO.ESPEJO RETROVISOR(REG 81) 0/000.990.9100 (u. 1)	
	CTO.ESPEJO RETROVISOR(REG 81) BT29000GG-CKR-1 (u. 1)	<b>OBSOLETO</b>
<b>31</b>	BRIDA SUJ.MANILLAR SUP.VAR.2006 BE250614012 (u. 1)	
<b>32</b>	TORN.ALLEN DIN-912 8X30 ZN CULATA T0308030 (u. 1)	
	BOMBA FRENO DEL.NISSIN=BC25922008/2 0/000.820.9106 (u. 1)	
<b>33</b>	BOMBA FRENO DEL.NISSIN=BC25922008/2 BC25922008 (u. 1)	<b>OBSOLETO</b>
	BOMBA FRENO DEL.NISSIN=BC25922008 BC25922008/2 (u. 1)	
<b>34</b>	KIT BOMBA FRENO DEL.Y EMB.97 150.00.595. BT27722208 (u. 1)	
<b>36</b>	BRIDA BC25922211 (u. 1)	
	BRIDA UNEX NYLON 2244 4.8X20 0/000.660.9105 (u. 1)	
<b>37</b>	BRIDA UNEX 2244 4.8X20 BE25634009 (u. 1)	<b>OBSOLETO</b>
	ABRAZADERA INSTALACION 0/000.680.0060 (u. 1)	
	BRIDA nylon CORTA 2221-0 2.5X98 =P380003 BE25634010 (u. 1)	<b>OBSOLETO</b>
<b>38</b>	BRIDA UNEX NYLON CORTA 2221-0 2.5X98 =P380003 0/000.660.9106 (u. 1)	
	BRIDA 2,5x100 T18ROS-PA66HS-BK 0/000.680.0081 (u. 1)	
<b>39</b>	GUARDAPOLVO PUÑO GAS G600000 (u. 1)	
	BRIDA UNEX NYLON CORTA 2221-0 2.5X98 =P380003 0/000.660.9106 (u. 1)	
<b>44</b>	BRIDA 2,5x100 T18ROS-PA66HS-BK 0/000.680.0081 (u. 1)	
	BRIDA nylon CORTA 2221-0 2.5X98 =P380003 BE25634010 (u. 1)	<b>OBSOLETO</b>
	GOMA SUJ.CABLEADOS BFS450320067 (u. 1)	<b>OBSOLETO</b>
<b>47</b>	GOMA SUJ.CABLEADOS 0/000.360.9110 (u. 1)	
	ABRAZADERA INSTALACION 0/000.680.0060 (u. 1)	
	ABRAZADERA INSTALACION 0/000.680.0060 (u. 1)	
<b>49</b>	BRIDA UNEX NYLON 2244 16/102 4.8X36 0/000.660.9104 (u. 1)	
	BRIDA UNEX 2244 16/102 4.8X36 BE25634007 (u. 1)	<b>OBSOLETO</b>
<b>50</b>	INTERRUPTOR CDI 60 CM TRIAL PRO 2006 BT280634007 (u. 1)	<b>OBSOLETO</b>

51	CABLE STARTER EC-2008 BE256012508 (u. 1)	OBSOLETO
	CABLE STARTER EC-2009 BE256012509 (u. 1)	OBSOLETO

**Rueda delantera**

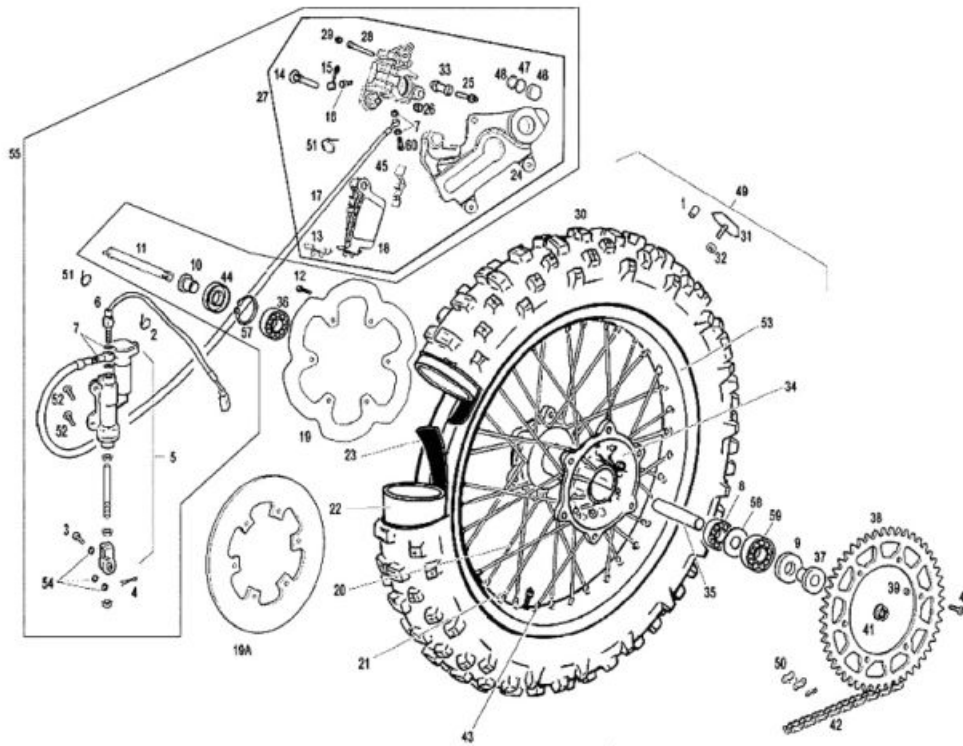


1	CTO.RUEDA DEL.EC-2011 BE50000CT2511 (u. 1)	OBSOLETO
	CTO.RUEDA DEL.CROSS 2009 BC50000CT2509 (u. 1)	OBSOLETO
2	EJE RUEDA DEL.EC-2007 BC250718017 (u. 1)	
3	CASQ.AGARRE CUBIERTA EC-2010 8X12X12 0/000.480.9112 (u. 1)	
	CASQ.AGARRE CUBIERTA EC-2010 8X12X12 BE555102510 (u. 1)	OBSOLETO
4	RETEN CUBO DEL.390.99.59-30X42X7 BE250418057 (u. 1)	
5	RODAM.61905 2RS1 ME120136055 (u. 1)	
6	D.FRENO.DEL.NG 731X EC-2010 BE520002510 (u. 1)	OBSOLETO
	FRONT BRAKE DISK WAVE GALFER 0913 BE520002509 (u. 1)	OBSOLETO
	D.FRENO.DEL.NG 731X EC-2010 0/001.090.9104 (u. 1)	
	DISCO FRENO DELANTERO ENDURO 2018 BE52000GG-CLJ-1 (u. 1)	OBSOLETO
7	DISCO FRENO DELANTERO ENDURO 2018 260mm 0/001.090.9105 (u. 1)	
	JUEGO PAST.NISSIN PAD SET CP2K1 GAS BC250022065 (u. 1)	OBSOLETO
8	KIT PASTILLAS DEL.EC 002-C94-540 CEX BE620652508 (u. 1)	
	ULS TORX 6X14 DIN 7380-1 ZINCADO 10.9 T0566014 (u. 1)	

9	PLATINA SUJ.PASTILLAS EC 002-C30-110 BE620112508 (u. 1)	
10	SOP.PINZA DEL.EC 002-C08-225 BE620102508 (u. 1)	
11	PINZA FRENO DEL+SOP.272-C00-400 EC-2007 0/000.860.9101 (u. 1) PINZA FRENO DEL+SOP.272-C00-400 EC-2007 BE250722000 (u. 1)	OBSOLETO
12	LATIGUILLO FRENO DEL.EC-2004- 740 746112 BE250422002 (u. 1)	
13	RACORD SUJ.LATIGUILLO 10X1,25(9257) BC25722006 (u. 1)	
14	ARANDELA LATIGUILLO 10X14X1 BE25622007 (u. 1)	
15	TUERCA EJE DELANTERO 0/000.340.9100 (u. 1) TORN.EJE RUEDA DEL.M-22 EC250-2007 BE250718026 (u. 1)	OBSOLETO
16	PLATINA SUJ.PASTILLAS 002-C80-014 BE620122508 (u. 1)	
17	CASQ.SEP.CUBO DEL.390.80.234 BE250418058 (u. 1)	
18	CUBO RUEDA DEL.25mm 334.00.220c BE250418007 (u. 1)	
19	LLANTA DEL.EXCEL NG.EC-2009 BE54001R2509 (u. 1) LLANTA DEL.EXCEL NG.EC-2009 0/000.230.9101 (u. 1) LLANTA 1.60X21 EXCEL SILVER 53504 BE25618006 (u. 1)	OBSOLETO  OBSOLETO
20	TUERCA RADIO DEL. BE250218010 (u. 1) KIT RADIO Y TUERCA RUEDA DELANTERA MOD. 2002-2013 BE542002508 (u. 1)	OBSOLETO
21	TUERCA AUTOBLOCANTE M-8 BAJA DIN 985 ZINC. T2108001 (u. 1) TUERCA AUTOBL.M-8 BAJA DIN 985 ZINC 0/000.340.9114 (u. 1)	OBSOLETO
22	AGARRE DEL.EC-2009 1.6x21 BE505002509 (u. 1) AGARRE DEL.EC-2009 1.6x21 0/000.220.9114 (u. 1)	OBSOLETO
23	KIT RADIO Y TUERCA RUEDA DELANTERA MOD. 2002-2013 BE542002508 (u. 1) RADIO DEL.EC-2008 BE542012508 (u. 1)	OBSOLETO
24	NEUMATICO DEL.90/90-21 MICHELIN M/C 54M 0/000.510.9100 (u. 1) NEUMATICO DEL.90/90-21 MICHELIN M/C 54M BE501002511 (u. 1) NEUMATICO 90-90-21 CROSS M12 BC25718102 (u. 1) - CROSS	OBSOLETO
25	CAMARA DELANTERA 21MDR VALVE TR4 BE502002511 (u. 1) CAMARA DELANTERA 21MDR VALVE TR4 833092 0/000.520.9100 (u. 1)	OBSOLETO

26	PROT.BANDA DEL.FLAP 1.60/1.85 X 21(1400X25) 949947 0/000.220.9108 (u. 1)	
	PROTECTOR BANDA DELANTERA FLAP 1.60/1.85 X 21(1400X25) BE503002511 (u. 1)	<b>OBSOLETO</b>
27	KIT.REP.PISTON 272-C98-129 BE620422508 (u. 1)	
32	KIT SANGRADOR EC 142-D98-103 BE620602508 (u. 1)	
33	GUARDAPOLVO PINZA EC 002-C49-104 BE620692508 (u. 1)	
35	DIST.RUEDA DEL.2004 BC250418019 (u. 1)	<b>OBSOLETO</b>
	CASQUILLO RUEDA DELANTERA 0/000.480.9100 (u. 1)	
39	CTO.FRENO DEL.PURGADO ENDURO 2004 BE250422108 (u. 1)	<b>OBSOLETO</b>
	CTO.FRENO DEL.PURGADO ENDURO 2004 0/000.820.9107 (u. 1)	
41	CTO.PLATINA+IMAN CTA.KM BP120734008CT (u. 1)	
42	GUARDAPOLVO EC 002-C40-101 BE620682508 (u. 1)	

**Rueda trasera**



1	CASQ.AGARRE CUBIERTA EC-2010 8X12X12 0/000.480.9112 (u. 1)	
	CASQ.AGARRE CUBIERTA EC-2010 8X12X12 BE555102510 (u. 1)	<b>OBSOLETO</b>
2	BRIDA UNEX NYLON 2244 16/102 4.8X36 0/000.660.9104 (u. 1)	
	BRIDA UNEX 2244 16/102 4.8X36 BE25634007 (u. 1)	<b>OBSOLETO</b>
	ABRAZADERA INSTALACION 0/000.680.0060 (u. 1)	
3	PASADOR 8X20 PEDAL FRENO 0/000.840.9101 (u. 1)	
	PASADOR 8X20 PEDAL FRENO BE25622026 (u. 1)	<b>OBSOLETO</b>
4	CLAVILLA PASADOR FRENO 2X20 0/000.840.9102 (u. 1)	
	CLAVILLA PASADOR FRENO 2X20 BE25622027 (u. 1)	<b>OBSOLETO</b>
5	BOMBA FRENO TRAS.EC-2009 BE660002509 (u. 1)	
6	INTERRUPTOR 23-016/1 STOP BOMBA NISSIN 3 0/000.720.9104 (u. 1)	
	INTERRUPTOR 23-016/1 STOP BOMBA NISSIN 3 BE250334003 (u. 1)	<b>OBSOLETO</b>
7	ARANDELA LATIGUILLO 10X14X1 BE25622007 (u. 1)	
8	COJINETE 6004 2RS1 C160001 (u. 1)	
9	RETEN RUEDA TT 2003 32X47X7 BE250318055 (u. 1)	

10	DIST.RUEDA TRAS.CORTO EC-2000 0/000.480.9104 (u. 1)	
	DIST.RUEDA TRAS.CORTO EC-2000 BE250018025 (u. 1)	OBSOLETO
11	EJE RUEDA TRAS. BE25618020 (u. 1)	
12	EXAG.6x14+ARANDELA INCORP. T0206014 (u. 1)	OBSOLETO
	EXAG+ARANDELA 6x14 DIN 6921 0/000.460.9118 (u. 1)	
13	PLATINA SUJ.PASTILLAS EC 002-C30-110 BE620112508 (u. 1)	
14	TORN.SUJ.PINZA 012-C54-001 BE250022096 (u. 1)	
15	TAP.SANGRADOR NISSIN 009-Z51-015 BE250022055 (u. 1)	
16	SANGRADOR NISSIN 079-Z50-001 BE250022060 (u. 1)	
17	LATIGUILLO FRENO TRAS.EC-2009 BE661002509 (u. 1)	
18	KIT PASTILLAS FRENO TRAS.EC-2009 002-C94 BE675002509 (u. 1)	
19	D.FRENO.TRAS.FLOR 1057X EC-2010 BE570002510 (u. 1)	OBSOLETO
	D.FRENO.TRAS.FLOR 1057X EC-2010 0/001.090.9102 (u. 1)	
19_	D.FRENO.TRAS.FLOR 1057X EC-2010 0/001.090.9102 (u. 1)	
	D.FRENO.TRAS.FLOR 1057X EC-2010 BE570002510 (u. 1)	OBSOLETO
20	KIT RADIO Y TUERCA TRASERO 192x4,5 LADO FRENO MOD. 2000-2013 BE250018015 (u. 1)	
21	KIT RADIO Y TUERCA TRASERO188x4,5 LADO CORONA MOD. 2000-2013 BE250018014 (u. 1)	
22	CAMARA TRASERA CH 18 MGR VALVE TR4 MICHELIN 0/000.520.9102 (u. 1)	
	CAMARA TRASERA CH 18 MGR VALVE TR4 MICHELIN BE552002511 (u. 1)	OBSOLETO
23	PROT.BANDA TRASERO 1.60/2.00 X 18/19 (1300X25) 656415 MICHELIN 0/000.220.9110 (u. 1)	
	PROT.BANDA TRASERO 1.60/2.00 X 18/19 (1300X25) 656415 MICHELIN BE553002511 (u. 1)	OBSOLETO
24	SOP.PINZA FRENO TRAS.NISSIN EC-2009 BE671002509 (u. 1)	
25	TORN.CLAVIJA PINZA FRENO 082-C48-023 BE250022034 (u. 1)	
26	GUARDAPOLVO PINZA FRENO TRAS.EC-2009 250 BE675802509 (u. 1)	
27	CTO.PINZA FRENO TRAS.+SOP.EC-2009 0/000.860.9102 (u. 1)	
	CTO.PINZA FRENO TRAS.+SOP.EC-2009 BE67000CT2509 (u. 1)	OBSOLETO
28	PASADOR PASTILLAS TRAS.002-C50-053 BE250022094 (u. 1)	
29	PROTECC.PASADOR NISSIN 002-C51-012 BE250022095 (u. 1)	

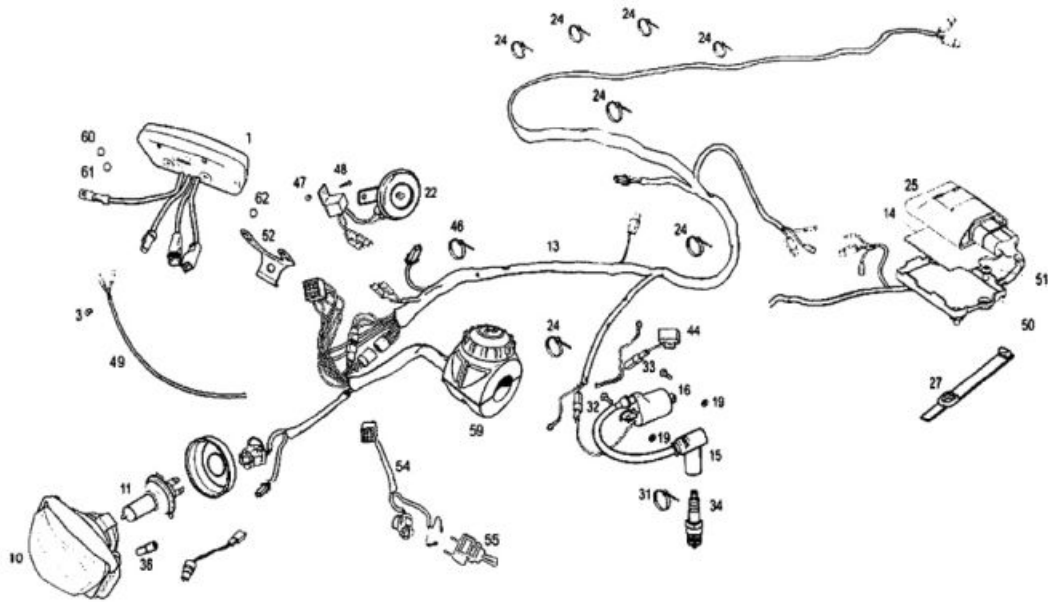


30	NEUMATICO TRASERO 140/80 - 18 70R ENDURO MEDIUM R TT 0/000.510.9102 (u. 1)	
	NEUMATICO TRASERO 140/80 - 18 70R ENDURO MEDIUM R TT BE551002511 (u. 1)	OBSOLETO
31	AGARRE TRAS.EC-2009 2.15x18 0/000.220.9115 (u. 1)	
	AGARRE TRAS.EC-2009 2.15x18 BE555002509 (u. 1)	OBSOLETO
32	TUERCA AUTOBL.M-8 BAJA DIN 985 ZINC 0/000.340.9114 (u. 1)	
	TUERCA AUTOBLOCANTE M-8 BAJA DIN 985 ZINC. T2108001 (u. 1)	OBSOLETO
33	GUARDAPOLVO PINZA EC 002-C49-104 BE620692508 (u. 1)	
	PROTECC.TORN.002.C49.011 BE250022039 (u. 1)	OBSOLETO
34	CUBO RUEDA TRAS.ENDURO 2003 326.00.400 BE250318027 (u. 1)	
35	DISTAN.RUEDA TRAS.INTER.CUBO R575700 (u. 1)	
36	COJINETE 6004 2RS1 C160001 (u. 1)	
37	DIST.RUEDA TRAS.LARGO BE250318021 (u. 1)	

	CORONA Z-40 SUPERMOTARD(CEX) BE250118125SM (u. 1)	
	CORONA Z-54 BE25918126 (u. 1)	OBSOLETO
	CORONA Z 48 ENDURO 2011 COLOR TIT. BE573002511 (u. 1)	OBSOLETO
	CORONA Z-49 CROSS 250 BC25818024 (u. 1)	OBSOLETO
	PLATO ARRASTRE Z-49 CROSS 250 0/000.500.9100 (u. 1)	
	CORONA Z 50 ENDURO 2011 COLOR TIT. BE573022511 (u. 1)	
	CORONA Z-52 125 BE12618024 (u. 1)	
	CORONA Z-44 PPF BF250018024 (u. 1)	
38	CORONA Z-50 R840701 (u. 1)	OBSOLETO
	CORONA Z-53 BE25918125 (u. 1)	OBSOLETO
	CORONA Z-39 SUPERMOTARD BE250118124SM (u. 1)	OBSOLETO
	CORONA Z-42 0/000.500.9103 (u. 1)	
	CORONA Z 48 ENDURO 2011 COLOR TIT. 0/000.500.9101 (u. 1)	
	CORONA Z-51 BE12618034 (u. 1)	
	CORONA Z-46 BE25918124 (u. 1)	
	CORONA Z-47 250 BE25618024 (u. 1)	OBSOLETO
	CORONA Z-42 BE250118034SM (u. 1)	OBSOLETO
39	TUERCA AUTOBL + ARANDELA M8 ZINC 0/000.340.9119 (u. 1)	
	TUERCA AUTOBL+ARANDELA M8 T2208002 (u. 1)	OBSOLETO
40	ALLEN CONICO 8X30 DIN 7991 ZINC 12.9 0/000.460.9153 (u. 1)	
	ALLEN+8X30 TENS.CAD. T0408030 (u. 1)	OBSOLETO
41	TUERCA AUTOBL.RUEDA TRAS.PR80 DIA.32 ZIN BE25618023 (u. 1)	
42	CADENA ABIERTA 135 ZRA 112 PASOS CON CLIP 0/001.050.9100 (u. 1)	
	CADENA RX3 112 LINKS BC120110036 (u. 1) - 125	
	CADENA ABIERTA 135 ZRA 112 PASOS CON CLIP BE57800GG-CLJ-1 (u. 1)	OBSOLETO
	135ORCX112 CHAIN EC2003 BE250310036 (u. 1)	OBSOLETO
43	TUERCA RADIO TRAS. BE250018016 (u. 1)	OBSOLETO
44	RETEN RUEDA DEL.TT 25x42x7 C160710 (u. 1)	

45	PLATINA SUJ.PASTILLAS 002-C80-014 BE620122508 (u. 1)	
46	PISTON PINZA FRENO TRAS.EC-2009 252-C34- BE675602509 (u. 1)	
47	RETEN PINZA FRENO TRAS.EC-2009 250-C43-0 BE675502509 (u. 1)	
48	TORICA PISTON PINZA TRAS 270-C43-009 BE250022048 (u. 1)	
49	CTO.RUEDA TRAS.EC-2011 BE55000CT2511 (u. 1)	<b>OBSOLETO</b>
50	ENGANCHE CADENA 26/135ORC6 BE250310066 (u. 1)	
51	BRIDA nylon CORTA 2221-0 2.5X98 =P380003 BE25634010 (u. 1)	<b>OBSOLETO</b>
	BRIDA 2,5x100 T18ROS-PA66HS-BK 0/000.680.0081 (u. 1)	
	BRIDA UNEX NYLON CORTA 2221-0 2.5X98 =P380003 0/000.660.9106 (u. 1)	
54	ARANDELA 8X16X1 DIN 9021 ZINC 0/000.440.9129 (u. 1)	
	ARANDELA 8X16X1 ZINCADA PEDAL FRENO T4008018 (u. 1)	<b>OBSOLETO</b>
55	CTO.FRENO TRAS.MONT.EC-2009 BE65000CT2509 (u. 1)	
57	ANILLO SEGEER DIA.42 BE25618038 (u. 1)	
58	ARANDELA SUPLEMENTO CUBO RUEDA TRAS.EC09 BE555012509 (u. 1)	
59	COJINETE RUEDA TRAS.6005-2SRH C3 BE250318054 (u. 1)	
60	RACORD SUJ.LATIGUILLO 10X1,25(9257) BC25722006 (u. 1)	

## Conjunto de cables



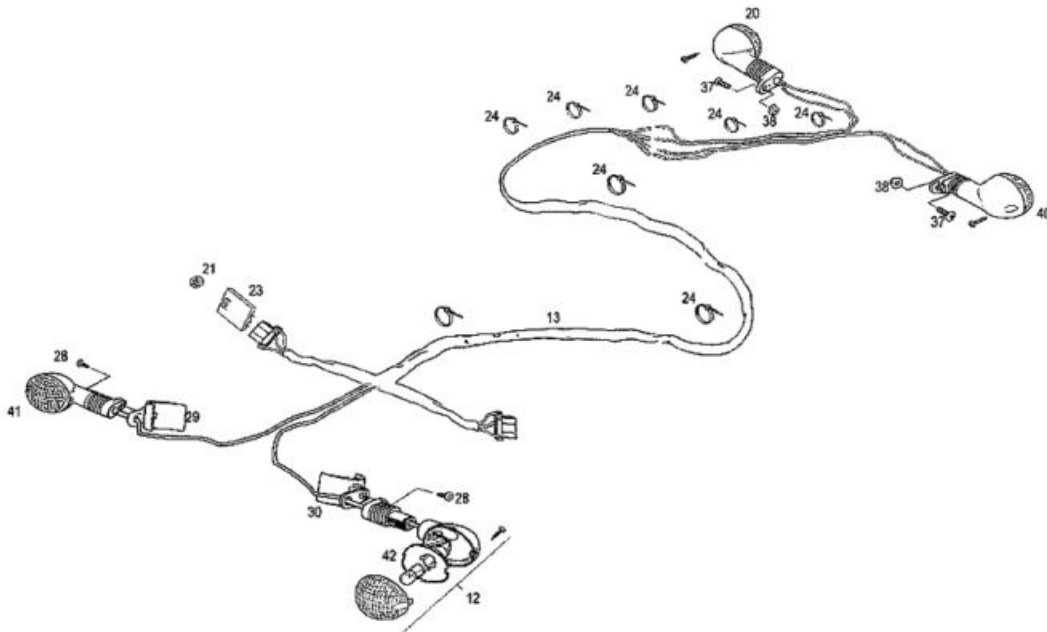
1	MULTIFUNCION EC-2011 ROJO MODELO VECTOR EE600002511 (u. 1)	<b>OBSOLETO</b>
	CTO. MULTIFUNCION CON SOPORTE MOD.2008-2013 EE600002513 (u. 1)	
3	PASACABLES CTA.KM.ENDURO 2003 BE250334053 (u. 1)	
10	OTTICA FANALE COMPLETA 0/000.600.0260 (u. 1)	
	OPTICA FARO DEL.EC 2011 6000270 EE200002511 (u. 1)	<b>OBSOLETO</b>
11	BOMBILLA HALOGENA 35/35 12V.HS1 L300125 (u. 1)	
13	INST.XC-2009 EE100002509 (u. 1)	
	INSTRUMENTS, XC 2010 EE100002510 (u. 1)	<b>OBSOLETO</b>
14	ESPUMA PROT.CDI EC 2005 BE250534109 (u. 1)	
15	PIPA BUJIA LB05EMH=BT27934000 0/005.110.9100 (u. 1)	
	PIPA BUJIA BE25934000 (u. 1)	<b>OBSOLETO</b>
16	BOB.KOKUSAN IG512L ME250434006 (u. 1)	
19	CASQ.SEP.BOMBA FRENO TRAS. BT120222097 (u. 1)	<b>OBSOLETO</b>
22	CLAXON EC 2T 2008 EE204002508 (u. 1)	

	BRIDA UNEX NYLON 2244 4.8X20 0/000.660.9105 (u. 1)	
24	ABRAZADERA INSTALACION 0/000.680.0060 (u. 1)	
	BRIDA UNEX 2244 4.8X20 BE25634009 (u. 1)	OBSOLETO
25	CDI KOKUSAN CU7508 EC 125-2005 ME120534007 (u. 1) - 125	
	CDI KOKUSAN CU7522 EC2006 ME250634007 (u. 1) - 200, 250,300	
27	GOMA SUJ.CDI 0/000.360.9101 (u. 1)	
	GOMA SUJ.CDI BE250034100 (u. 1)	OBSOLETO
31	BRIDA nylon CORTA 2221-0 2.5X98 =P380003 BE25634010 (u. 1)	OBSOLETO
	BRIDA UNEX NYLON CORTA 2221-0 2.5X98 =P380003 0/000.660.9106 (u. 1)	
	BRIDA 2,5x100 T18ROS-PA66HS-BK 0/000.680.0081 (u. 1)	
32	TORN.ESP.6X25(10.9) VALONA 11MM T0206025 (u. 1)	OBSOLETO
	TORN.ESP.6X25 DIN 6921 GEOMET 10.9 VALONA 11MM 0/000.460.9121 (u. 1)	
33	ULS 6X30 (12.9) MOD.REG. T0506030 (u. 1)	
34	BUJIA W24ESRU ME25934000 (u. 1)	OBSOLETO
	BUJIA W27ESRU ME120134000 (u. 1) - 125	
	BUJIA W24ESRU 0/005.110.9101 (u. 1)	
36	BOBILLA LUZ POSICION L300126 (u. 1)	
44	REGUL.ALTERNADOR 415 C = ME25634009 L300031 (u. 1)	
46	BRIDA NYLON 3.6x140 LATIG.EMBR. BE250022031 (u. 1)	OBSOLETO
	ABRAZADERA INSTALACION 0/000.680.0060 (u. 1)	
	BRIDA UNEX NYLON 3.6x140 LATIG.EMBR. 0/000.680.9100 (u. 1)	
47	ULS 6x14+ARANDELA PLATA T0556014 (u. 1)	
48	TORN.PHILIPS CABOTA ANCHA T0706013 (u. 1)	
49	SENSOR CUENTA KM ENDURO 0/001.010.9100 (u. 1)	
	SENSOR CUENTA KM ENDURO BE250634050 (u. 1)	OBSOLETO
50	SOP.CDI EC 2005 BE250534107 (u. 1)	
51	ULS 6X10 DIR. T0506010 (u. 1)	OBSOLETO
52	SOP.MULTIFUNCION 2006 BFS450634045 (u. 1)	

54	ALARGO LUCES RACING EC 2T 2009 EE100152509 (u. 1)
55	INTERRUPTOR LUZ 6528 BX25834001 (u. 1)
59	CONMUTADOR LUCES EC-2008 EE602002508 (u. 1)
60	ARANDELA PLANA 4X12X1 DIN 9021 ZN AG CR3 0/000.440.9119 (u. 1)
	ARANDELA PLANA 4X12X1 (DIN 9021) T4004012 (u. 1)
61	ULS 4X10+ARANDELA NG. T0554010N (u. 1)
62	ARAND.GOMA MULTIFUNCION ENDURO 2008 NBR EE650102508 (u. 1)

OBSOLETO

**Intermitentes**

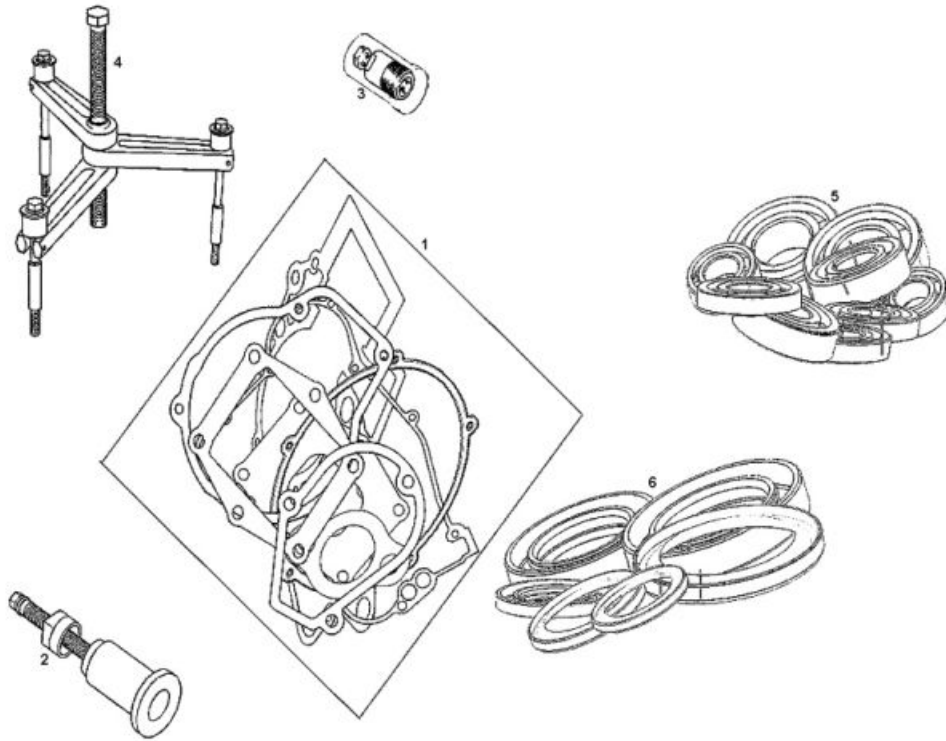


12	INTERMITENTE IZQ.DEL.2005 0/000.150.9101 (u. 1)	
	INTERMITENTE IZQ.DEL.2005 BE250634019 (u. 1)	<b>OBSOLETO</b>
13	INST.INTERMITENTES EC-2009 EE100102509 (u. 1)	
20	INTERMITENTE DCH.TRAS.2005 BE250634021/2 (u. 1)	<b>OBSOLETO</b>
	INTERMITENTE DCH.TRAS.2005 BE250634021 (u. 1)	<b>OBSOLETO</b>
	INTERMITENTE DCH.TRAS.2005 0/000.150.9102 (u. 1)	
21	TUERCA AUTOBL.BAJA M-6 DIN 985 ZN CR3 6 0/000.340.9113 (u. 1)	
	TUERCA AUTOBL.BAJA M-6 (DIN 985) T2106001 (u. 1)	<b>OBSOLETO</b>
23	CAJA INTERMITENCIA EC-2009 EE201752509 (u. 1)	
24	BRIDA UNEX 2244 4.8X20 BE25634009 (u. 1)	<b>OBSOLETO</b>
	BRIDA UNEX NYLON 2244 4.8X20 0/000.660.9105 (u. 1)	
	ABRAZADERA INSTALACION 0/000.680.0060 (u. 1)	
28	TORN.PHILIPS CHAPA 6.3x16 ZINCADO.NEGRO. T0706316 (u. 1)	<b>OBSOLETO</b>
29	SOP.INTER.DEL.DCH.O.EC2001 BE250134017 (u. 1)	
30	SOP.INTERM.DEL.IZQ.EC2001 BE250134020 (u. 1)	

37	TORN.ULS 6x16 PL.PRIM,GUAR,FIL NG. T0506016N (u. 1)	OBSOLETO
	ULS 6x16 ISO 7380-1 NEGRO 12.9 0/000.460.9156 (u. 1)	
38	TUERCA+ARAN.M-6 (DIN 6923) ESTR. T2206000 (u. 1)	OBSOLETO
	TUERCA+ARAN.M-6 ESTR. DIN 6923 ZINC 8 0/000.340.9116 (u. 1)	
40	INTERMITENTE IZQ.TRAS.2005 BE250634022 (u. 1)	OBSOLETO
	INTERMITENTE IZQ.TRAS.2005 0/000.150.9103 (u. 1)	
	INTERMITENTE IZQ.TRAS.2005 BE250634022/2 (u. 1)	
41	INTERMITENTE DCH.O.DEL.2005 0/000.150.9100 (u. 1)	OBSOLETO
	INTERMITENTE DCH.O.DEL.2005 BE250634018 (u. 1)	
42	BOMBILLA 12V 10W L200118 (u. 1)	



## Herramientas de asistencia



**1** KIT JUNTAS 200-250-300 2005  
ME250544100 (u. 1) - 200, 250, 300

KIT JUNTAS EC.125 2001  
ME120144100 (u. 1) - 125

**2** EXTRACTOR COJINETE CIGUEÑAL  
ME25950000 (u. 1)

OBSOLETO

**3** KOKUSAN FLYWHEEL EXTRACTOR  
ME25634045 (u. 1)

OBSOLETO

EXTRACTOR VOL.MAG.KUKUSAN 5238  
M04015001 (u. 1)

**4** EXTRACTOR CARTER  
ME25950005 (u. 1)

OBSOLETO

**5** KIT COJINETES EC-250/300 2010  
ME905002510 (u. 1) - 200, 250, 300

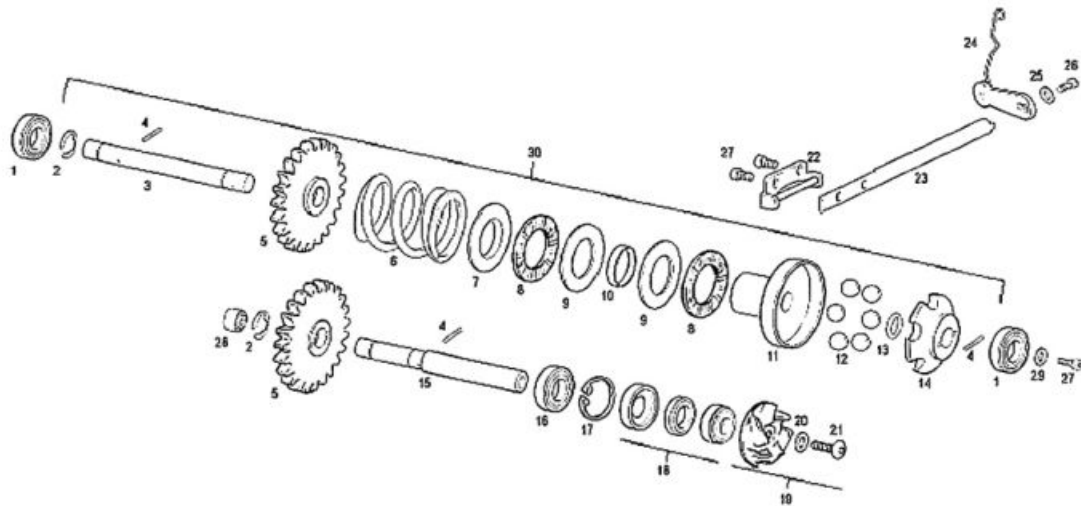
KIT COJINETES EC-125 2010  
ME905001210 (u. 1) - 125

**6** KIT RETENES EC-125 2010  
ME906001210 (u. 1) - 125

KIT RETENES EC-250/300 2010  
ME906002510 (u. 1) - 200, 250, 300

# **EC RACING 125-250-300 2011- Engine**

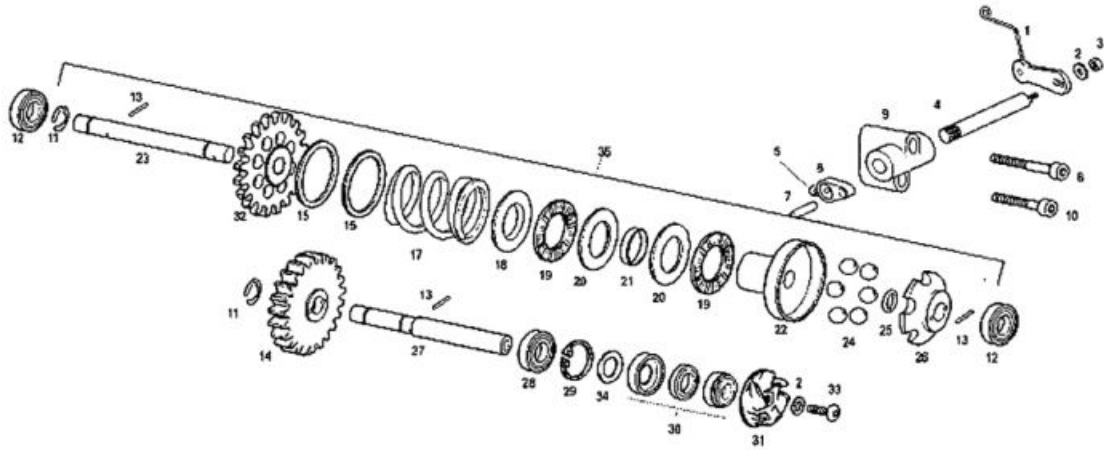
**Bomba agua 125**



1	RODA.EJE CENTRI.Y BOMBA 608.Z.C3 0/000.960.9108 (u. 1)	
	RODA.EJE CENTRI.Y BOMBA 608.Z.C3 ME25616032 (u. 1)	<b>OBSOLETO</b>
2	SEEGER DIN 6799 E-7 0/000.300.9103 (u. 1)	
	SEEGER DIN 6799 E-7 ME25616024 (u. 1)	<b>OBSOLETO</b>
3	EJE CENTRIFUGO EC125-2003 ME120316005 (u. 1)	<b>OBSOLETO</b>
4	AGUJA 3x13.8 TOL.0,-2 SELEC.TRIAL 2002 MT280238048 (u. 1)	<b>OBSOLETO</b>
5	PIÑOM BOMBA AGUA Y CENTRIFUGO ME120110005 (u. 1)	
7	ARANDELA CENTRAJE MUELLE CENTRIFUGO ME25616029 (u. 1)	
8	JAULA AGUJA VALV.ESCAPE AXK 1528 ME25632046 (u. 1)	<b>OBSOLETO</b>
	JAULA AGUJA VALV.ESCAPE AXK 1528 0/000.960.9109 (u. 1)	
9	PLACA AGUJA ROD.BOLET Y VAL.ESCAPE AS 15 ME25632016 (u. 1)	<b>OBSOLETO</b>
	PLACA AGUJA ROD.BOLET Y VAL.ESCAPE AS 15 0/000.440.9107 (u. 1)	
10	SEP.COJINETE CENTRIFUGO ME25616008 (u. 1)	
11	CAMPANA CENTRIFUGA ME25616007 (u. 1)	
12	BOLA CENTRIFUGO EMB.DE 8 m/m. ME25616033 (u. 1)	

13	TORICA 6X2 EJE CENTR.VAL.ESCAPE ME25616045 (u. 1)	
14	ESTRELLA CENTRIFUGO 6 BOLAS ME25916006 (u. 1)	
15	EJE PIÑON BOMBA AGUA ME25610006 (u. 1)	OBSOLETO
	EJE PIÑON BOMBA AGUA 0/000.190.9104 (u. 1)	
16	RODAM.BOMBA AGUA 6000C3Z =M03313001 0/000.960.9107 (u. 1)	
	RODAM.BOMBA AGUA 6000C3Z =M03313001 ME25610010 (u. 1)	OBSOLETO
17	SEEGER INT.26 B.AGUA=M03314012 DIN 472-I26 ME25636065 (u. 1)	OBSOLETO
	SEEGER D.26 DIN 472-I26 0/000.300.9106 (u. 1)	
18	RETEN BOMBA AGUA (ESTOPADA) 1510 CA/CE 1 ME25610011 (u. 1)	OBSOLETO
	RETEN BOMBA AGUA (ESTOPADA) 1510 CA/CE 1 0/000.890.9104 (u. 1)	
19	TURBINA BOMBA AGUA 2014 ME56000GG-CAB-1 (u. 1)	OBSOLETO
	TURBINA BOMBA AGUA 2014 0/005.220.9100 (u. 1)	
	TURBINA BOMBA AGUA ME25610007 (u. 1)	OBSOLETO
20	ARANDELA PLANA 6X12X1.5 (DIN 125) T4006012 (u. 1)	OBSOLETO
	ARANDELA PLANA 6X12X1.5 DIN 125 ZINC 0/000.440.9124 (u. 1)	
21	TORNILLO ULS 6X16 ISO 7380-1 ZINC 12.9 T0506016 (u. 1)	
22	CTO.PALANCA SALIDA CENTRIFUGO EC125-2001 ME120116009 (u. 1)	
23	EJE PALANCA CENTRIFUGO EC125-2001 ME120116011 (u. 1)	OBSOLETO
24	CTO.PALANCA VARILLA EC125-2001 ME120116110 (u. 1)	
25	ARANDELA 5X12X1.5 DIN 125A ZINC 0/000.440.9121 (u. 1)	
	ARANDELA 5X12X1.5 T4005012 (u. 1)	OBSOLETO
26	ALLEN 5x15 DRACOMET T0305015 (u. 1)	OBSOLETO
	ALLEN 5x16 DRACOMET T0305016 (u. 1)	
27	ALLEN 4x8 DIN 912 ZINCADO PLATA 8.8 T0304008 (u. 1)	
28	RODAM.AGUJAS HK0810 INA EC400-4T MFS400126021 (u. 1)	
30	CENTRIFUGO COMP.EC125 2013 ME59000CT1213 (u. 1)	
	CENTRIFUGO COMP.EC125 ME120316005CT (u. 1)	OBSOLETO

**Bomba agua 250-300**

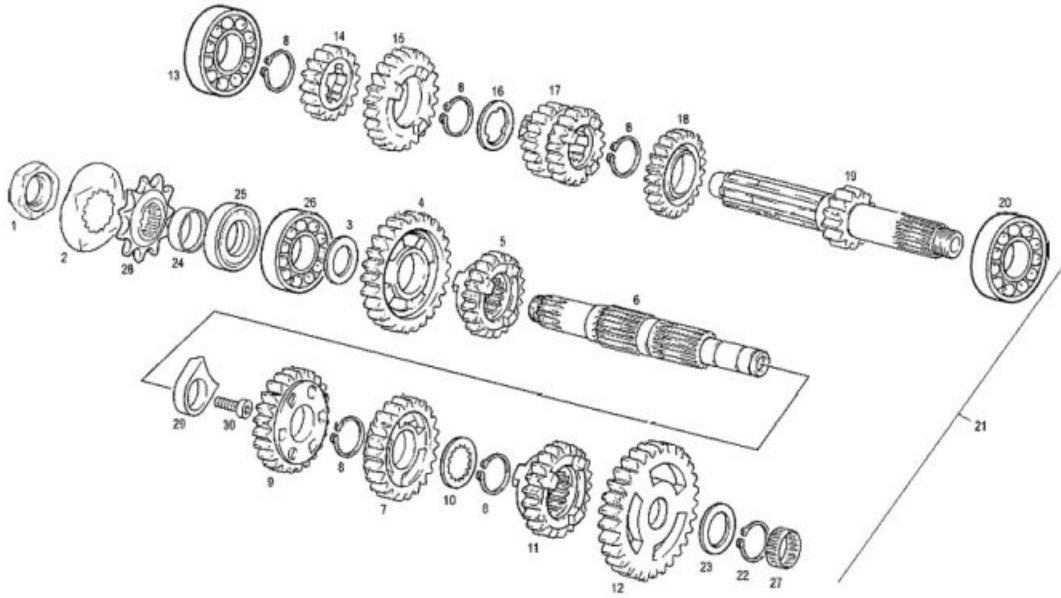


1	CTO.PALANCA VARILLA ME25616110 (u. 1)	OBSOLETO
	CTO.PALANCA VARILLA COMP. ME250216115 (u. 1)	
2	ARANDELA 5X12X1.5 DIN 125A ZINC 0/000.440.9121 (u. 1)	OBSOLETO
	ARANDELA 5X12X1.5 T4005012 (u. 1)	
3	TUERCA AUTOBL.DIN-985 M-5 ZN BAJA T2105000 (u. 1)	OBSOLETO
	TUERCA AUTOBL. M-5 BAJA DIN-985 ZINC 8 0/000.340.9112 (u. 1)	
4	EJE PALANCA CENTRIFUGO ME25616011 (u. 1)	
5	ALLEN 5 X 6 (12.9) T0305006 (u. 1)	
6	PALANCA SALIDA CENTRIFUGO ME25616009 (u. 1)	OBSOLETO
	PALANCA SALIDA CENTRIFUGO COMPL. ME25616009CT (u. 1)	OBSOLETO
7	AGUJA 4X15.8 VALV.ESCAPE ME25616037 (u. 1)	OBSOLETO
	PALANCA SALIDA CENTRIFUGO COMPL. ME25616009CT (u. 1)	OBSOLETO
8	ALLEN 6X50 DIN 912 12.9 COMPLETAMENTE ROSCADO GEOMET T0306050 (u. 1)	OBSOLETO
9	SOP.EJE MANDO VALV.TT-250 ME25616025 (u. 1)	OBSOLETO
10	ALLEN 6X35 12.9 T0306035 (u. 1)	

11	SEEGER DIN 6799 E-7 ME25616024 (u. 1)	OBSOLETO
	SEEGER DIN 6799 E-7 0/000.300.9103 (u. 1)	
12	RODA.EJE CENTRI.Y BOMBA 608.Z.C3 ME25616032 (u. 1)	OBSOLETO
	RODA.EJE CENTRI.Y BOMBA 608.Z.C3 0/000.960.9108 (u. 1)	
13	RODILLO 3X14 BOMBA AGUA CENTRI. ME25616028 (u. 1)	OBSOLETO
	RODILLO 3X14 .DIN 7 ISO 2338 INOX A1 BOMBA AGUA CENTRIFUGO 0/000.280.9101 (u. 1)	
14	PIÑON BOMBA AGUA Y CENTRI. 0/005.400.9111 (u. 1)	OBSOLETO
	PIÑON BOMBA AGUA Y CENTRI. ME25610005 (u. 1)	
15	VOLAN.RECL.MUELLE VAL.ESCAPE 31.5X22.5X0 ME25616076 (u. 1)	
17	MUELLE CENTRIFUGO VALV.ESC.99 ME25916026 (u. 1)	
18	ARANDELA CENTRAJE MUELLE CENTRIFUGO ME25616029 (u. 1)	
19	JAULA AGUJA VALV.ESCAPE AXK 1528 0/000.960.9109 (u. 1)	OBSOLETO
	JAULA AGUJA VALV.ESCAPE AXK 1528 ME25632046 (u. 1)	
20	PLACA AGUJA ROD.BOLET Y VAL.ESCAPE AS 15 0/000.440.9107 (u. 1)	OBSOLETO
	PLACA AGUJA ROD.BOLET Y VAL.ESCAPE AS 15 ME25632016 (u. 1)	
21	SEP.COJINETE CENTRIFUGO ME25616008 (u. 1)	
22	CAMPANA CENTRIFUGA ME25616007 (u. 1)	
23	EJE CENTRIFUGO ME25616005 (u. 1)	
24	BOLA CENTRIFUGO EMB.DE 8 m/m. ME25616033 (u. 1)	
25	TORICA 6X2 EJE CENTR.VAL.ESCAPE ME25616045 (u. 1)	
26	ESTRELLA CENTRIFUGO 6 BOLAS ME25916006 (u. 1)	
27	EJE PIÑON BOMBA AGUA ME25610006 (u. 1)	OBSOLETO
	EJE PIÑON BOMBA AGUA 0/000.190.9104 (u. 1)	
28	RODAM.BOMBA AGUA 6000C3Z =M03313001 0/000.960.9107 (u. 1)	OBSOLETO
	RODAM.BOMBA AGUA 6000C3Z =M03313001 ME25610010 (u. 1)	
29	SEEGER INT.26 B.AGUA=M03314012 DIN 472-I26 ME25636065 (u. 1)	OBSOLETO
	SEEGER D.26 DIN 472-I26 0/000.300.9106 (u. 1)	

<b>30</b>	RETEN BOMBA AGUA (ESTOPADA) 1510 CA/CE 1 ME25610011 (u. 1)	<b>OBSOLETO</b>
	RETEN BOMBA AGUA (ESTOPADA) 1510 CA/CE 1 0/000.890.9104 (u. 1)	
<b>31</b>	TURBINA BOMBA AGUA 2014 0/005.220.9100 (u. 1)	
	TURBINA BOMBA AGUA ME25610007 (u. 1)	<b>OBSOLETO</b>
	TURBINA BOMBA AGUA 2014 ME56000GG-CAB-1 (u. 1)	<b>OBSOLETO</b>
<b>32</b>	PIÑÓN CENTRIFUGO 2012 ME580012511 (u. 1)	
	CENTRIFUGO COMP.EC250-2004 ME250416005CT (u. 1)	
<b>33</b>	TORNILLO ULS 6X16 ISO 7380-1 ZINC 12.9 T0506016 (u. 1)	
<b>34</b>	ARANDELA 25.8x17.5x0.5 BOMBA AGUA M03625000 (u. 1)	<b>OBSOLETO</b>
	ARANDELA 25.8x17.5x0.5 BOMBA AGUA 0/000.440.9103 (u. 1)	
<b>35</b>	CENTRIFUGO COMP.EC250-2004 ME250416005CT (u. 1)	

## Cambio 125

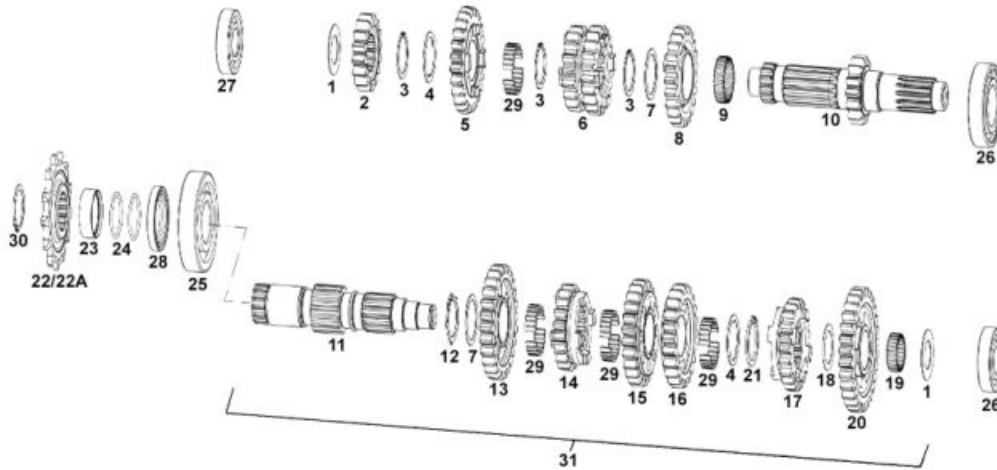


1	TUERCA FIJ.PIÑON SALIDA EC125-2001 ME120136021 (u. 1)	
2	ARANDELA PRECINTO PIÑON SALIDA EC125cc ME120136121 (u. 1)	
3	ARANDELA CAMBIO 20x34x2 ME120136101 (u. 1)	<b>OBSOLETO</b>
4	PIÑON II SECUNDARIO TT 125 Z-28 ME120136077 (u. 1)	
5	PIÑON VI SECUNDARIO TT 125 Z-24 ME120136081 (u. 1)	
6	EJE SECUNDARIO 125CC. ME120136075 (u. 1)	
7	PIÑON IV SECUNDARIO TT 125 Z-27 ME120136079 (u. 1)	
8	CIRCLIP E22 DIN 471 MT280236166 (u. 1)	
9	PIÑON III SECUNDARIO TT 125 Z-26 ME120136078 (u. 1)	
10	ARANDELA CAMBIO,ESTR.A22x19.5 DIN 5480 ME120136091 (u. 1)	
11	PIÑON V SECUNDARIO TT 125 Z-26 ME120136080 (u. 1)	
12	PIÑON PRIMERA SEC.Z-30 125 2005 ME120536076 (u. 1)	
13	RODAM.6202/C3 ME120136057 (u. 1)	
14	PIÑON II PRIMARIO Z-15 ME120136071 (u. 1)	
15	PIÑON VI PRIMARIO Z-24 ME120136074 (u. 1)	



16	ARANDELA PRIMARIO 3 PUNTAS ME120136100 (u. 1)	
17	PIÑON III/IV PRIMARIO Z-17/Z-21 ME120136072 (u. 1)	
18	PIÑON V PRIMARIO Z-23 ME120136073 (u. 1)	
19	EJE PRIMARIO 125CC. ME120136070 (u. 1)	
20	RODAM.6204-ZC4 PRIMARIO ME120136056 (u. 1)	
21	GRUPO CAMBIO COMP.EC125-2005 ME120536010 (u. 1)	OBSOLETO
22	SEEGER EJE 15 EMBR. ME25632017 (u. 1)	
23	VOLANDERA CAMBIO 24x15.15x0.4 ME120136012 (u. 1)	OBSOLETO
24	CASQ.PIÑON SALIDA EC125-2001 ME120136046 (u. 1)	
25	RETEN 28x38x7 DOBLE LABIO PIÑON SALIDA E ME120136024 (u. 1)	
26	RODAM.SEC.6304/C3 ME120136058 (u. 1)	
27	COJINETE TR152512 SECUNDARIO EC125cc ME120136157 (u. 1)	
28	PIÑON SALIDA TG336X13T ME120136025 (u. 1)	
	PIÑON SALIDA TG336X12T ME120736025 (u. 1)	
29	FIJADOR COJINETE SALIDA CAMBIO ME120336104 (u. 1)	
30	TORN.UFK M5x12 T0315012 (u. 1)	
	TORN.UFK 5x10 DRACOMET T0315010 (u. 1)	

**Cambio 250-300**

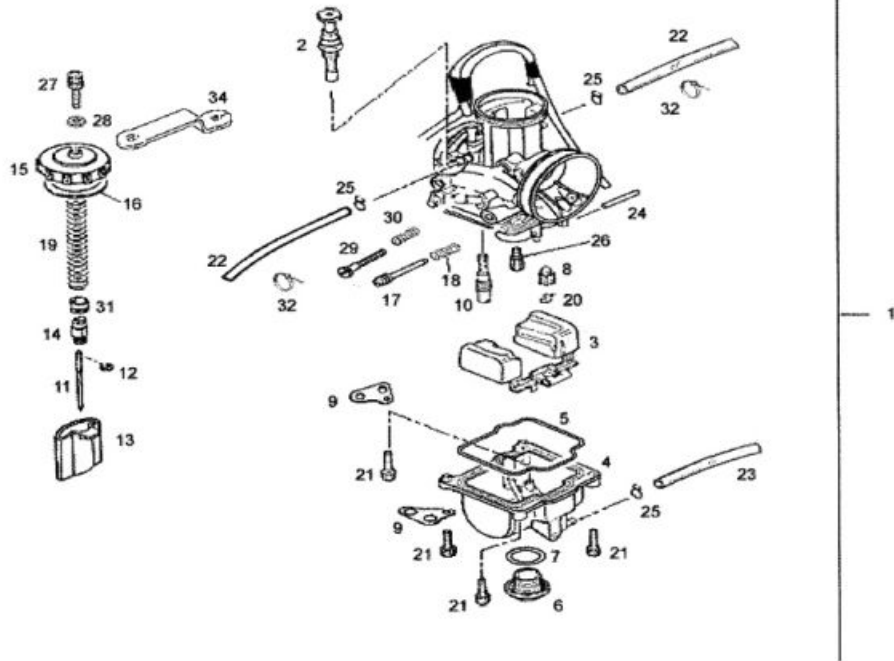


1	ARANDELA 18X31.5X0.7 CAMBIO ME25636014 (u. 1)	
2	PIÑÓN PRIMARIO II Z-16 ME25636071 (u. 1)	
3	CIRCLIP D.25 DIN 471 ME25936084 (u. 1)	<b>OBSOLETO</b>
	CIRCLIP D.25 DIN 471 0/000.300.9107 (u. 1)	
4	ARANDELA 31.5X(25X22)X1 SEC.3-4 ESTR.CAM ME25636091 (u. 1)	
5	PIÑÓN PRIMARIO VI Z-24 ME25636074 (u. 1)	
6	PIÑÓN PRIMARIO III Y IV ME25636072 (u. 1)	
7	ARANDELA 25.2X31.5X1 CAMBIO ME25636017 (u. 1)	
8	PIÑÓN PRIMARIO V Z-23 ME25636073 (u. 1)	
9	COJINETE AGUJAS K25-29-10 M02616000 (u. 1)	<b>OBSOLETO</b>
	COJINETE AGUJAS K25-29-10 0/000.960.9104 (u. 1)	
10	EJE PRIMARIO EC 250-2002 ME250236070 (u. 1)	
11	EJE SECUNDARIO EC 08 ME410002508 (u. 1)	
12	CIRCLIP D.25 DIN 983 =25049255 ME25636095 (u. 1)	
13	PIÑÓN SECUNDARIO II 7-26 ME250136077 (u. 1)	

14	PIÑON SECUNDARIO VI Z-19 ME250136081 (u. 1)	
15	PIÑON SECUNDARIO III Z-24 ME25636078 (u. 1)	
16	PIÑON SECUNDARIO IV Z-22 ME25636079 (u. 1)	
17	PIÑON SECUNDARIO V Z-21 ME25636080 (u. 1)	
18	ARANDELA 20.8X29X1 CAMBIO ME25636016 (u. 1)	
19	RODA.AGUJ.K20X24X10 ME25636059 (u. 1)	OBSOLETO
	RODA.AGUJ.K20X24X10 0/000.960.9114 (u. 1)	
20	PIÑON SECUNDARIO I Z-29 ME25636076 (u. 1)	
21	CIRCLIP D.25 DIN 471 REBAIXAD D.2 SE03025200009 (u. 1)	
22	PIÑON SALIDA TG421X13T 0/005.400.9112 (u. 1)	
	PIÑON SALIDA TG421X13T ME25636025 (u. 1)	OBSOLETO
22_	PIÑON SALIDA TG421X12T 0/005.400.9113 (u. 1)	
	PIÑON SALIDA TG421X13T ME25636025 (u. 1)	OBSOLETO
	PIÑON SALIDA TG421X13T 0/005.400.9112 (u. 1)	
	PIÑON SALIDA TG421X12T MF25836025 (u. 1)	OBSOLETO
23	DOLLA RETEN SALIDA CAMBIO ME25636046 (u. 1)	OBSOLETO
	DOLLA RETEN SALIDA CAMBIO 0/000.260.9100 (u. 1)	
24	TORICA 25 X 2 NBR PIÑ SAL. 0/000.490.9107 (u. 1)	
	TORICA 25 X 2 NBR PIÑ SAL. ME25632025 (u. 1)	OBSOLETO
25	RODAM.CAMBIO 6305 C3 ME25636058 (u. 1)	OBSOLETO
	RODAM.CAMBIO 6305 C3 0/000.960.9113 (u. 1)	
26	RODAM.CAMBIO 6203C3 ME25636057 (u. 1)	OBSOLETO
	RODAM.CAMBIO 6203C3 0/000.960.9112 (u. 1)	
27	RODAM.CAMBIO 6205-RSH/C3 0/000.960.9106 (u. 1)	
	RODAM.CAMBIO 6205-RSH/C3 ME250136056 (u. 1)	OBSOLETO
28	RETEN 30X40X7 DOBLE LABIO.PIÑ.SAL. ME25636024 (u. 1)	OBSOLETO
	RETEN 30X40X7 DOBLE LABIO.PIÑ.SAL. 0/000.890.9106 (u. 1)	

<b>29</b>	JAULA AGUJAS KD22x25x9.8 GRUPO CAMBIO ME250236102 (u. 1)	<b>OBSOLETO</b>
	JAULA AGUJAS KD22x25x9.8 GRUPO CAMBIO 0/005.150.9101 (u. 1)	
<b>30</b>	CIRCLIP D.25 DIN 471 ME25936084 (u. 1)	<b>OBSOLETO</b>
	CIRCLIP D.25 DIN 471 0/000.300.9107 (u. 1)	
<b>31</b>	CTO. CAMBIO MARCHAS ME40000CT-CSK-1 (u. 1)	<b>OBSOLETO</b>
	CTO. CAMBIO MARCHAS 0/005.400.9107 (u. 1)	
	CTO.CAMBIO COMPEC-2008 ME40000CT2508 (u. 1)	<b>OBSOLETO</b>

**Carburador**



CARBURADOR KEIHIN PWK 38 MANDO STARTER 10FK-A73Z-00A0\_0/005.155.9100 (u. 1)

CARBURADOR PWK 36S (10FK-A90H-0020) BE780001210 (u. 1) - 125

1

CARBURADOR KEIHIN PWK 38 MANDO STARTER 10FK-A73Z-00A0\_ BE78000GG-CSK-1 (u. 1)

**OBSOLETO**

CARB.KEIHIN PWKS DIAM.38 SIN TPS EC-2008 BE780002508 (u. 1)

**OBSOLETO**

MANDO ESTARTER 1166-818-2101 ME25690011 (u. 1) - 200, 250, 300

2

PERILLA AHOGADOR ME25000173012 (u. 1)

MANDO ESTARTER POR CABLE W1275-028-9901 BE783002508 (u. 1)

**OBSOLETO**

3

BOYA FLOTADOR BE781152508 (u. 1)

**OBSOLETO**

5

JUNTA CUBETA FLOTADOR ME781252508 (u. 1)

**OBSOLETO**

6

TAP.CUBETA 1018-ND4-7511 ME25690015 (u. 1)

7

TORICA TAP.CUBETA 16173-001-0040 ME25690016 (u. 1)

8

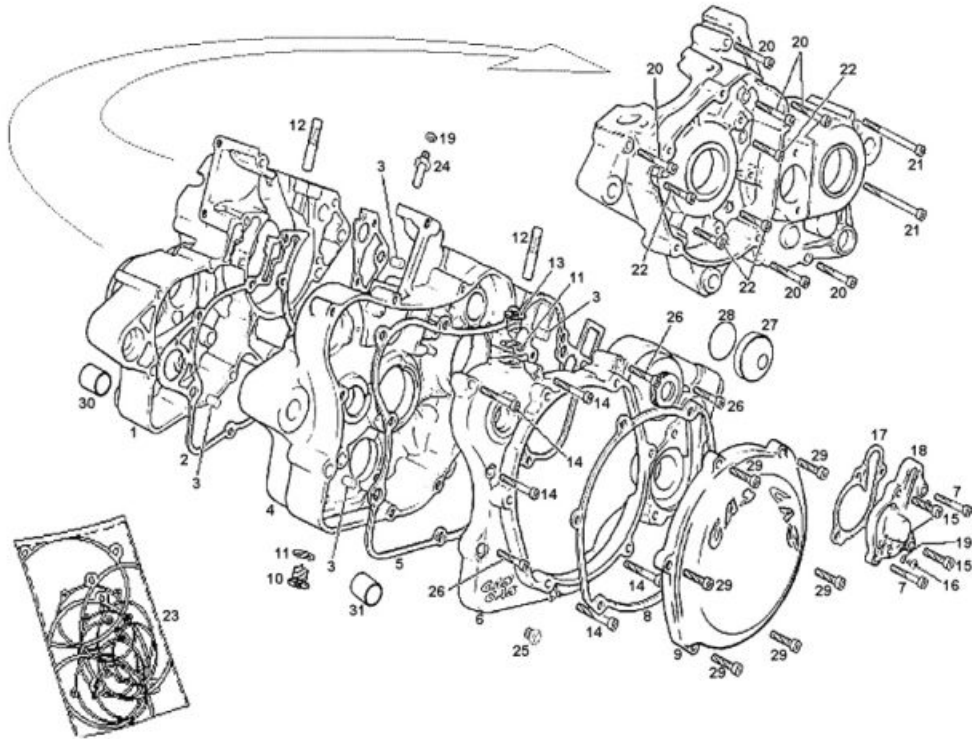
AGUJA FLOTADOR 1062-814-2103 ME25690017 (u. 1)

9

SUJ.TUBO RESPIRADERO ME25690018 (u. 1)

10	CHICLE RALENTI 35 (N424-21035) ME25690035 (u. 1)	OBSOLETO
	CHICLE RALENTI 38 (N424-21038) ME25690019 (u. 1) - 250	
	CHICLE RALENTI 48 N424-25048 ME120390048 (u. 1) - 125	
	CHICLE RALENTI 35 (N424-21035) 0/005.991.9100 (u. 1)	
11	AGUJA NOZI 125CC N427-OZI00 ME120690434 (u. 1)	OBSOLETO
	AGUJA KEIHIN N1EF ME250190429 (u. 1)	OBSOLETO
	AGUJA NBHW (N427-BHW00G) ME120190433 (u. 1) - 125	
	AGUJA KEIHIN N1EF 0/005.150.9100 (u. 1)	
	AGUJA NOZH N427-OZH00 ME120690435 (u. 1) - 125	
12	CLIP AGUJA 16115-169-0040 ME25690021 (u. 1)	
13	COMPUERTA N\$7 N502-27F00 ME25690022 (u. 1)	
14	FIJADOR AGUJA-CABLE 1101-804-2001 ME25690023 (u. 1)	
15	TAPETA CARB.EC 250 / 300 2008 BE781032508 (u. 1)	OBSOLETO
16	JUNTA TAPETA CARB. BE781022508 (u. 1)	OBSOLETO
17	TORN.REGUL.AIRE W1446-231-9900 ME25690028 (u. 1)	
18	MUELLE TORN.REG.AIRE W1711-416-9900 ME25690029 (u. 1)	
19	MUELLE COMPUERTA 1290-920-2000 ME25690026 (u. 1)	
20	CLIP NIVEL FLOTADOR 0405-019-1000 ME25690027 (u. 1)	
22	TUBO RESPIRADERO 95003-0704831 ME25690031 (u. 1)	
23	TUBO RESPIRADERO 95003-05033-31 ME25690032 (u. 1)	
24	EJE FLOTADOR W9525-25250 ME25690033 (u. 1)	
25	CLIP TUBO RESPIRADERO W9535-35000 ME25690034 (u. 1)	
26	CHICLE ALTA 182 ME25690182 (u. 1) - 300	
	CHICLE ALTA 185 (99101-357-1850) ME25690185 (u. 1)	OBSOLETO
27	TENSOR CABLE 1036-804-2000 ME25690036 (u. 1)	
28	TUERCA TENSOR CABLE W1793-130-9900 ME25690037 (u. 1)	OBSOLETO
29	TORN.REGUL.RALENTI 1034-853-2000 ME25690038 (u. 1)	
30	MUELLE TORN.REG.1290-963-2000 ME25690039 (u. 1)	

<b>31</b>	CASQ.MUELLE COMP.1118-929-7000 ME25690040 (u. 1)	
	BRIDA UNEX NYLON 2244 4.8X20 0/000.660.9105 (u. 1)	
<b>32</b>	ABRAZADERA INSTALACION 0/000.680.0060 (u. 1)	
	BRIDA UNEX 2244 4.8X20 BE25634009 (u. 1)	<b>OBSOLETO</b>
<b>34</b>	SOP.CABLE STARTER EURO3 EC-2008 BE785702508 (u. 1)	<b>OBSOLETO</b>

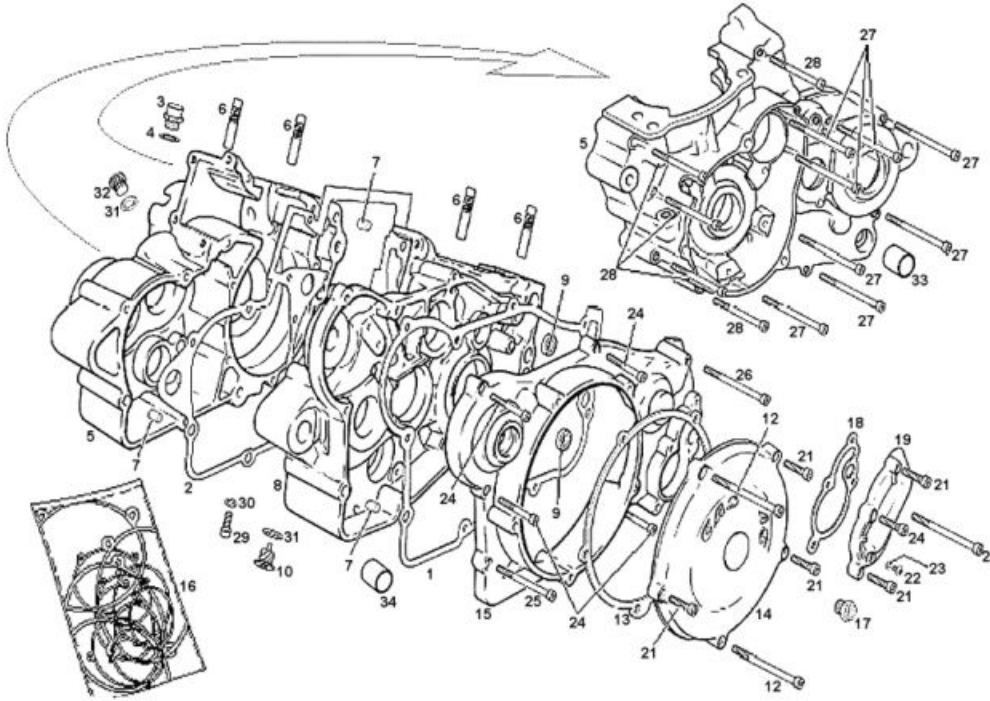
**Carter de motor 125**


1	CARTER IZQ.EC-125-2011 ME110001211 (u. 1)	
2	JUNTA CARTER CENT.EC125-2001 ME120144001 (u. 1)	
3	CASQ.CENTRADOR CARTER 14X9X6IN =M0101700 ME25610018 (u. 1)	<b>OBSOLETO</b>
	CASQ.CENTRADOR CARTER 6X9X14 =ME25610018 0/000.480.9119 (u. 1)	
	CASQ.CENTRADOR CARTER 6X9X14 =ME25610018 M01017000 (u. 1)	<b>OBSOLETO</b>
4	CARTER DCH.EC-125-2011 ME100001211 (u. 1)	
5	JUNTA TAPA EMBR.0.5MM ME120144002 (u. 1)	
6	TAPA EMBR.EC125-2003 ME120332001 (u. 1)	
7	TORN.ESP.6x60 Fil.20 10.9 T0206060 (u. 1)	<b>OBSOLETO</b>
	TORN.ESP.6x60 Fil.20 DELTA PROTEK 10.9 0/000.460.9128 (u. 1)	
8	JUNTA TAPA DISCOS 0.8 ME120144003 (u. 1)	
9	TAPA DISCOS EMBR.MAGNESIO ME120132002 (u. 1)	<b>OBSOLETO</b>
	TAPA DISCOS EMBR.MAGNESIO 125 2014 ME22010GG-BZV-1 (u. 1)	
10	TAPON VACIADO ACEITE+IMAN ME25610017 (u. 1)	
	TAP.LLENADO ACEITE =ME25610016 M01016002 (u. 1)	



11	ARANDELA TIPO BUJIA 12X18X2 0/000.440.9114 (u. 1)	
	ARANDELA TIPO BUJIA 12X18X2 MT280410030 (u. 1)	OBSOLETO
12	ESPARRAGO CIL.EC125-2001 M8 ME120116023 (u. 1)	
13	TAP.LLENADO ACEITE =M01016002 ME25610016 (u. 1)	OBSOLETO
	TAPON VACIADO ACEITE+IMAN ME25610017 (u. 1)	
	TAP.LLENADO ACEITE =ME25610016 M01016002 (u. 1)	
14	TORN.ESP.M6X35 T0206035 (u. 1)	OBSOLETO
	TORN.ESP.M6X35 DIN 6921 GEOMET 0/000.460.9124 (u. 1)	
15	TORN.ESP.6X25(10.9) VALONA 11MM T0206025 (u. 1)	OBSOLETO
	TORN.ESP.6X25 DIN 6921 GEOMET 10.9 VALONA 11MM 0/000.460.9121 (u. 1)	
16	ULS 6X10 DIR. T0506010 (u. 1)	OBSOLETO
17	JUNTA TAPA BOMBA AGUA EC125-2001(FOAMET) ME120144008 (u. 1)	
18	TAPA BOMBA AGUA EC125-2001 ME120110008 (u. 1)	
19	ARANDELA FIBRA 6X10X1.5 0/000.440.9123 (u. 1)	
	ARANDELA FIBRA 6X10X1.5 T4006010 (u. 1)	OBSOLETO
20	TORN.ESP.6X55 8.8 DRACOMET T0206055 (u. 1)	OBSOLETO
	TORN.ESP.6X55 DIN 6921 DRACOMET 8.8 0/000.460.9127 (u. 1)	
21	TORN.ESP.6x70 Fil.20 T0206070 (u. 1)	OBSOLETO
22	TORN.ESP.6X45 8.8 ZINC. T0206045 (u. 1)	OBSOLETO
	TORN.ESP.6x40 Fil.20 GEOMET 10.9 0/000.460.9125 (u. 1)	
	TORN.ESP.6x40 Fil.20 GEOMET 10.9 0/000.460.9125 (u. 1)	
23	KIT JUNTAS EC.125 2001 ME120144100 (u. 1)	
24	DESVAP.CARTER D.3=ME25610012 M01032001 (u. 1)	OBSOLETO
	DESVAP.CARTER D.3=ME25610012 0/000.630.9105 (u. 1)	
25	VISOR NIVEL ACEITE =M01016110 ME25610015 (u. 1)	OBSOLETO
26	TORN.ESP.6x40 Fil.20 GEOMET 10.9 0/000.460.9125 (u. 1)	
	TORN.ESP.6x40 Fil.20 T0206040 (u. 1)	OBSOLETO
27	TAP.EJE CENTRIFUGO EC125-2003 ME120332085 (u. 1)	OBSOLETO

<b>28</b>	TORICA TAP.EJE CENTRIFUGO 28.3x1.78 EC12 ME120332086 (u. 1)	
<b>29</b>	TORN.ESP.6x20 10.9 ZINC.(CEX) T0206020 (u. 1)	<b>OBSOLETO</b>
	TORN.ESP.6x20 DIN 6921 GEOMET 10.9 0/000.460.9120 (u. 1)	
<b>30</b>	GLACIER PEDAL DAP 1212PD BE25610009 (u. 1)	<b>OBSOLETO</b>
	GLACIER PEDAL DAP 1212PD 0/000.480.9105 (u. 1)	
<b>31</b>	GLACIER PEDAL FRENO 1215PD10 0/000.480.9117 (u. 1)	
	GLACIER PEDAL FRENO 1215PD10 C200101 (u. 1)	<b>OBSOLETO</b>

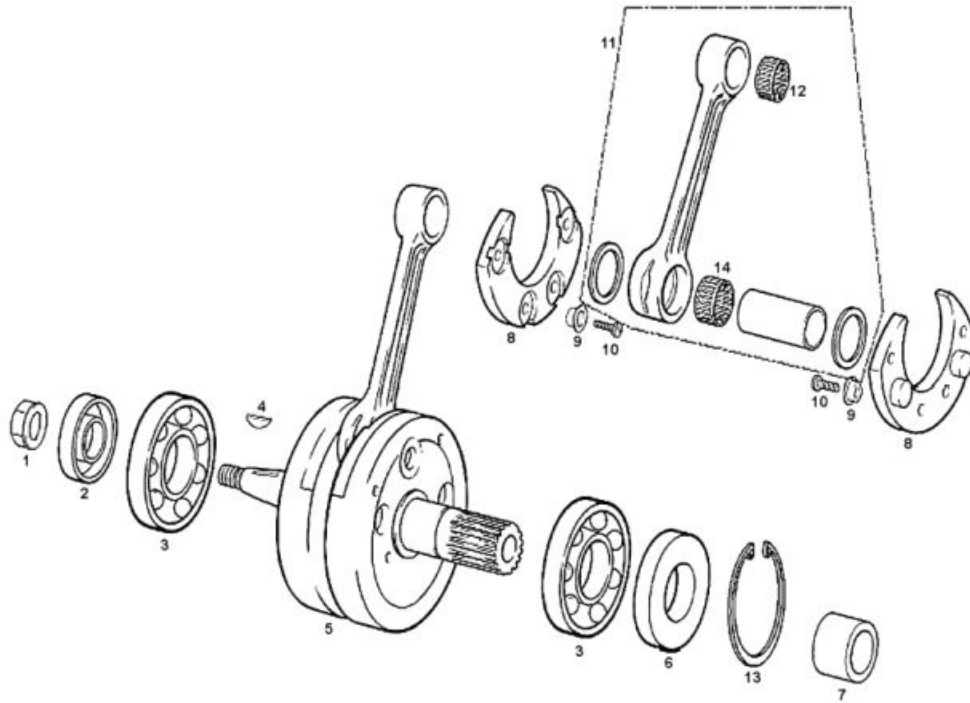
**Carter de motor 250-300**


1	JUNTA TAPA EMBR.0.5mm ME25644002 (u. 1)	<b>OBSOLETO</b>
	JUNTA TAPA EMBR.0.5mm 0/000.490.9108 (u. 1)	
2	JUNTA CARTER CENT.2005 ME250544001 (u. 1)	
3	RACORD ENTRADA AGUA ME25610013 (u. 1)	
4	ARAN.FIBRA 14X20X2 RACORD ENTRADA AGUA = ME25610014 (u. 1)	
5	CARTER IZQ.EC250-2011 ME110002511 (u. 1)	<b>OBSOLETO</b>
	CARTER IZQ.EC200-2005 ME200510001 (u. 1) - 200	
	CARTER IZQ.EC250-2005 ME250510001 (u. 1)	<b>OBSOLETO</b>
6	ESPARRAGO CIL. 0/000.280.9100 (u. 1)	
	ESPARRAGO CIL. ME25616023 (u. 1)	<b>OBSOLETO</b>
7	CASQ.CENTRADOR CARTER 14X9X6IN =M0101700 ME25610018 (u. 1)	<b>OBSOLETO</b>
	CASQ.CENTRADOR CARTER 6X9X14 =ME25610018 M01017000 (u. 1)	<b>OBSOLETO</b>
	CASQ.CENTRADOR CARTER 6X9X14 =ME25610018 0/000.480.9119 (u. 1)	

	CARTER DCH.O.EC200-2005 ME200510000 (u. 1) - 200	
<b>8</b>	CARTER DCH.O.EC250-2005 ME250510000 (u. 1)	<b>OBSOLETO</b>
	CARTER DCH.O.EC250 2011 ME100002511 (u. 1)	<b>OBSOLETO</b>
<b>9</b>	RODA.EJE CENTRI.Y BOMBA 608.Z.C3 0/000.960.9108 (u. 1)	
	RODA.EJE CENTRI.Y BOMBA 608.Z.C3 ME25616032 (u. 1)	<b>OBSOLETO</b>
<b>10</b>	TAPON VACIADO ACEITE+IMAN ME25610017 (u. 1)	
<b>12</b>	TORN.ESP.6X75 DELTA PROTEK 12.9 0/000.460.9129 (u. 1)	
	TORN.ESP.6X75 10.9 DRACOMET T0206075 (u. 1)	<b>OBSOLETO</b>
<b>13</b>	JUNTA TAPA DISCOS 0.8 (MATERIAL CS5208) ME25644003 (u. 1)	
<b>15</b>	TAPA EMBR.EC-2010 ME650002510 (u. 1)	
<b>16</b>	KIT JUNTAS 200-250-300 2005 ME250544100 (u. 1)	
<b>17</b>	VISOR NIVEL ACEITE =M01016110 ME25610015 (u. 1)	<b>OBSOLETO</b>
<b>18</b>	JUNTA TAPA BOMBA AGUA ME25944008 (u. 1)	
<b>19</b>	TAPA BOMBA AGUA EC-2010 ME570002510 (u. 1)	
<b>20</b>	TORN.ESP.6X80 8.8 DRACOMET T0206080 (u. 1)	<b>OBSOLETO</b>
<b>21</b>	TORN.ESP.6X25 DIN 6921 GEOMET 10.9 VALONA 11MM 0/000.460.9121 (u. 1)	
	TORN.ESP.6X25(10.9) VALONA 11MM T0206025 (u. 1)	<b>OBSOLETO</b>
<b>22</b>	ULS 6X10 DIR. T0506010 (u. 1)	<b>OBSOLETO</b>
<b>23</b>	ARANDELA FIBRA 6X10X1.5 T4006010 (u. 1)	<b>OBSOLETO</b>
	ARANDELA FIBRA 6X10X1.5 0/000.440.9123 (u. 1)	
<b>24</b>	TORN.ESP.M6x30 T0206030 (u. 1)	<b>OBSOLETO</b>
	TORN.ESP.M6x30 DIN 6921 GEOMET 0/000.460.9123 (u. 1)	
<b>25</b>	TORN.ESP.M6X35 T0206035 (u. 1)	<b>OBSOLETO</b>
	TORN.ESP.M6X35 DIN 6921 GEOMET 0/000.460.9124 (u. 1)	
<b>26</b>	TORN.ESP.6X55 8.8 DRACOMET T0206055 (u. 1)	<b>OBSOLETO</b>
	TORN.ESP.6X55 DIN 6921 DRACOMET 8.8 0/000.460.9127 (u. 1)	
<b>27</b>	ALLEN 6X70 12.9 T0306070 (u. 1)	

28	ALLEN 6X60 12.9 T0306060 (u. 1)	OBSOLETO
	ALLEN 6X60 DIN 912 ZINC 12.9 0/000.460.9150 (u. 1)	
29	ALLEN 8X14 T0308014 (u. 1)	
30	ARANDELA COBRE 8X12X1,5 TORN.VAC.CAM.PRE T4008012 (u. 1)	OBSOLETO
	ARANDELA COBRE 8X12X1,5 DIN 125 A ISO 7089 0/000.440.9128 (u. 1)	
31	ARANDELA TIPO BUJIA 12X18X2 MT280410030 (u. 1)	OBSOLETO
	ARANDELA TIPO BUJIA 12X18X2 0/000.440.9114 (u. 1)	
32	TAP.LLENADO ACEITE =ME25610016 M01016002 (u. 1)	
	TAPON VACIADO ACEITE+IMAN ME25610017 (u. 1)	
33	GLACIER PEDAL FRENO 1215PD10 0/000.480.9117 (u. 1)	OBSOLETO
	GLACIER PEDAL FRENO 1215PD10 C200101 (u. 1)	
34	GLACIER PEDAL DAP 1212PD 0/000.480.9105 (u. 1)	OBSOLETO
	GLACIER PEDAL DAP 1212PD BE25610009 (u. 1)	

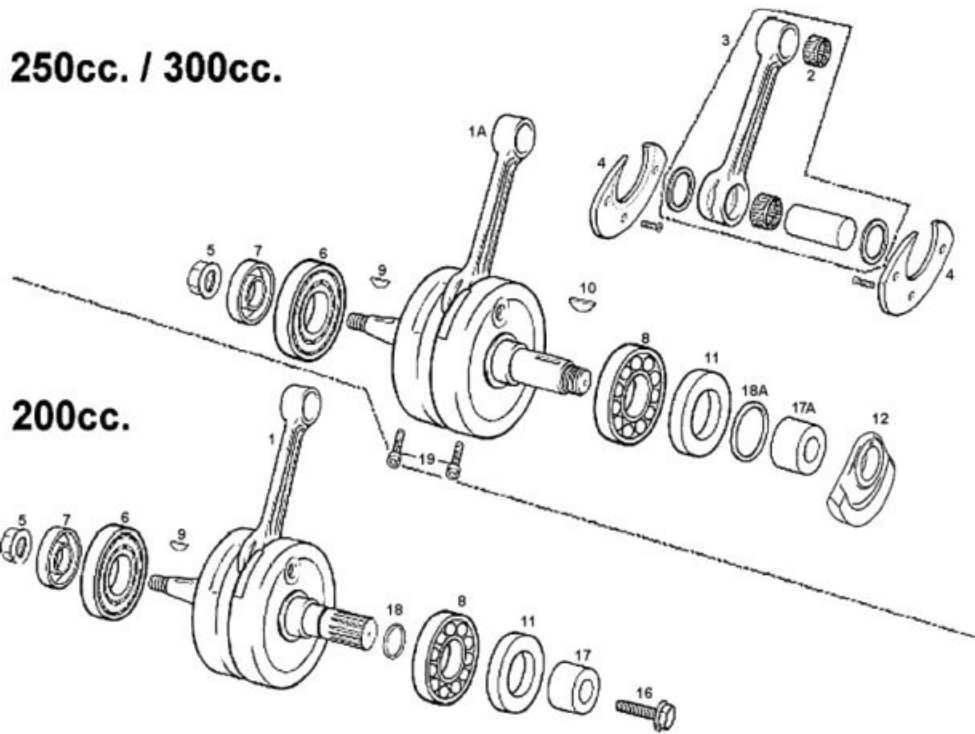
## Cigüeñal 125



1	TUERCA VOLANTE EC400 4T M12x1.25 10.9 MFS400134011 (u. 1)	
2	RETEN LADO IZ.CIG.TCJ 20x35x6/6.5 0/000.890.9103 (u. 1)	
3	ROD.CIGUEÑAL SKF 63/22 HN3C403LVK311 ME120112006R (u. 1)	
4	CHAVETA VOLANTE =M01224001 ME25634016 (u. 1)	
5	CTO.CIGUEÑAL COMP.EC-125-2009 ME30000CT1209 (u. 1)	<b>OBSOLETO</b>
6	RETEN DCH.O.CIG.TB2J 32 45 6.5 ME120112008 (u. 1)	
7	CASQ.CIGUEÑAL TRANS.PRIM. ME120112014 (u. 1)	<b>OBSOLETO</b>
8	NYLON CONTRAPESO EC125-2001 ME120112021 (u. 1)	
9	CASQ.NYLON CONTRAPESO EC125cc ME120112011 (u. 1)	
10	ULS 6x16 ISO 7380-1 NEGRO 12.9 0/000.460.9156 (u. 1) TORN.ULS 6x16 PL.PRIM,GUAR,FIL NG. T0506016N (u. 1)	<b>OBSOLETO</b>
11	BIELA EC-125-2009 VA-7018 ME320001209 (u. 1)	
12	COJINETE PIE BIELA 15X19X20 21.32.06 ME320501209 (u. 1)	
13	SEEGER INT.PARA DIAM.45 EC 125 2010 ME102001210 (u. 1)	<b>OBSOLETO</b>

<b>14</b>	JAUJA BIELA 18 AGUJAS 28X22X16 EC125-200 ME320551209 (u. 1)
-----------	--

**Cigüeñal 250-300**

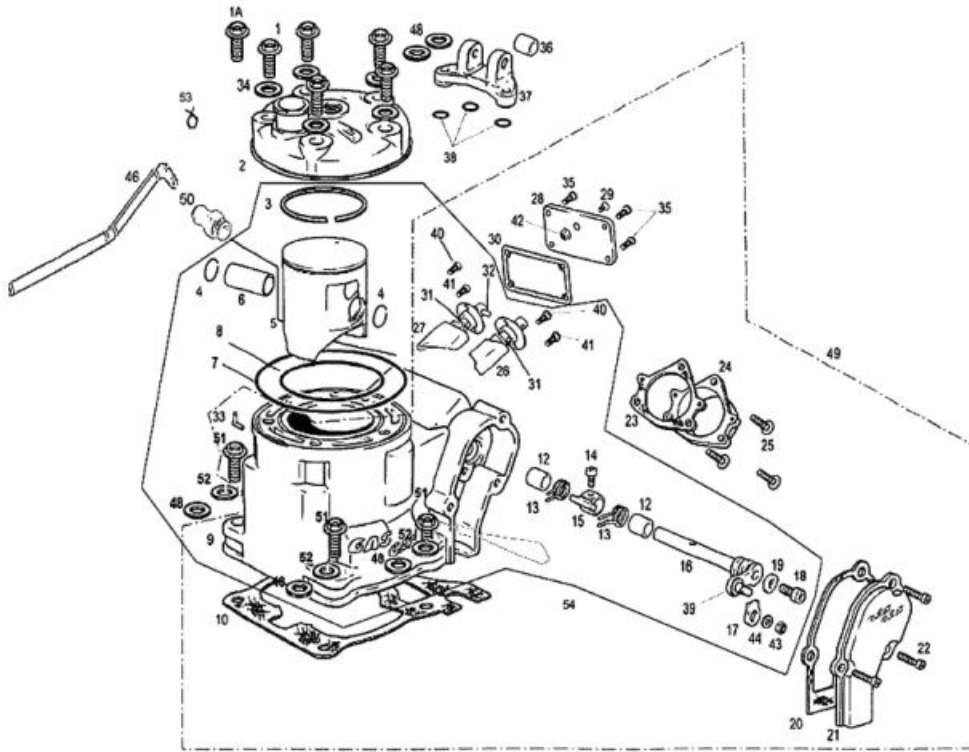


1	CIGUEÑAL EC200-2005 ME200512000 (u. 1) - 200	
	CTO.CIGUEÑAL EC250-2002 ME250212000 (u. 1)	
1	CTO.CIGUEÑAL EC 300-2010 ME30000CT3010 (u. 1)	<b>OBSOLETO</b>
	CIGUEÑAL EC200-2005 ME200512000 (u. 1) - 200	
2	ROD.RV.18X22X21,8 S PIE DE BIELA ME25616035 (u. 1)	
3	CTO.BIELA ENDURO ME25612100 (u. 1)	
	NYLON CONTRAPESO CIGUEÑAL 200 0/005.075.9100 (u. 1)	
	NYLON CONTRAPESO CIGUEÑAL 250 -300 0/005.075.9101 (u. 1)	
4	NYLON CONTRAPESO ME20812021 (u. 1)	<b>OBSOLETO</b>
	NYLON CONTRAPESO CIGUEÑAL EC250-2002 ME250212021 (u. 1)	<b>OBSOLETO</b>
	TUERCA VOLANTE EC400 4T M12x1.25 10.9 MFS400134011 (u. 1)	
5	TUERCA VOLANTE M12x1,25 COD.DC12FF1 8.8 MC25934011 (u. 1)	<b>OBSOLETO</b>
6	ROD.CIGUEÑAL SKF 6206-2RS1TN9/C4VT223 ME310002508 (u. 1)	
	RETEN LADO IZ.CIG.TCJ 20x35x6/6.5 ME250112009 (u. 1)	<b>OBSOLETO</b>
7	RETEN LADO IZ.CIG.TCJ 20x35x6/6.5 0/000.890.9103 (u. 1)	



8	ROD.CIGÜEÑAL SKF 63/28-2RS1 HN3/C3 GXN ME310012508 (u. 1)	
9	CHAVETA VOLANTE =M01224001 ME25634016 (u. 1)	
10	CHAVETA CIGUEÑAL =M01223000 ME25612010 (u. 1)	
11	RETEN DCH.O.CIGUEÑAL TB2J 38-52 7 ME250112008 (u. 1)	OBSOLETO
	RETEN DCH.O.CIGUEÑAL TB2J 38-52 7 0/000.890.9102 (u. 1)	
12	INERCIA VOLANTE EC-2007 ME250712017 (u. 1)	OBSOLETO
16	TORN.ESP.12X25X1.25 FIL.20 12.9 T02012025 (u. 1)	OBSOLETO
	TORN.ESP.12X25X1.25 FIL.20 12.9 GEOMET 0/000.460.9114 (u. 1)	
17_	CASQ.CIGUEÑAL 25X38X20 ME200512014 (u. 1)	OBSOLETO
	CASQ.CIGUEÑAL 25X38X20 0/000.480.9127 (u. 1)	
	CASQ.CIGUEÑAL 25x38x17 ME250112014 (u. 1) - 250,300	
17	CASQ.CIGUEÑAL 25X38X20 ME200512014 (u. 1)	OBSOLETO
	CASQ.CIGUEÑAL 25X38X20 0/000.480.9127 (u. 1)	
18_	JUNTA TORICA 20X1 ST950207 (u. 1)	OBSOLETO
	TORICA CIGUEÑAL 23x2 NBR ME250112011 (u. 1) - 250,300	
18	JUNTA TORICA 20X1 ST950207 (u. 1)	OBSOLETO
19	ALLEN M-8X10 DIN 912 ZINC 12.9 0/000.460.9152 (u. 1)	
	ALLEN M-8X10 (8.8) (DIN 912) T0308010 (u. 1)	OBSOLETO

## Cilindro 125

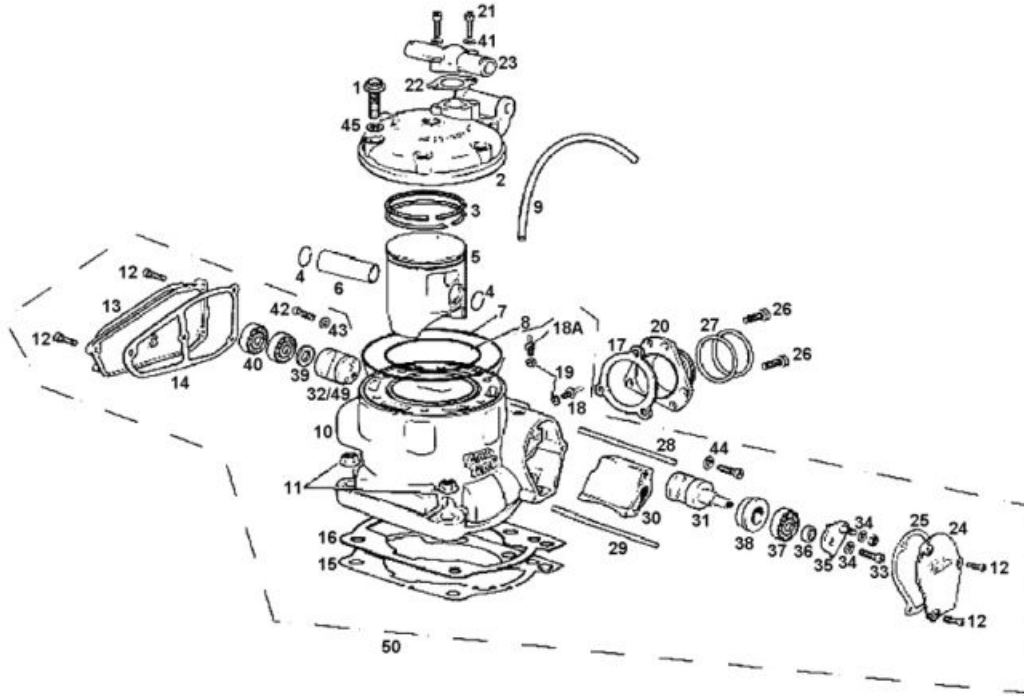


1	TORN.ESP.8X40 8.8 ZINC. T0208040 (u. 1)	OBSOLETO
	TORNILLO ESPECIAL 8X50 GEOMET 10.9 0/000.460.9141 (u. 1)	
1_	TORN.ESP.8X40 8.8 ZINC. T0208040 (u. 1)	OBSOLETO
	TORN.ESP.8X55 8.8 FIL.20 ZINC. T0208055 (u. 1)	OBSOLETO
	TORNILLO ESPECIAL 8X50 GEOMET 10.9 0/000.460.9141 (u. 1)	
2	CULATA EC125-2009 ME750001209 (u. 1)	
3	ARO DE 1mm.PISTON 2010 ME710101210 (u. 1)	
4	CLIP PISTO TT 125 ME120116126 (u. 1)	OBSOLETO
5	PISTON 125 2006 GRIS C ME120616122 (u. 1)	
	PISTON A 125-2010 ARO DE 1mm. ME710001210 (u. 1)	
6	BULON PISTON TT 125cc ME120116125 (u. 1)	
7	TOR.CUL.EXT.1.78x91.7=MO1619216 ME120116060 (u. 1)	
8	TORICA CULATA INT.VITON 1.78x63.22 ME120116065 (u. 1)	
9	CIL.ENDURO 125-2009 ME700001209 (u. 1)	

	JUNTA CIL.TT125-2001 0.15 ME120144010 (u. 1)	
10	JUNTA CIL.EC125cc BELPA CSA 25 0.50mm ME120144000 (u. 1)	
	JUNTA CIL.0.3 ME120144009 (u. 1)	
12	CASQ.EJE VALV.ESCAPE EC125-2001 ME120116051 (u. 1)	
13	MUELLE EJE VALV.ESCAPE EC125-2001 ME120116052 (u. 1)	OBSOLETO
14	ALLEN 4x8 DIN 912 ZINCADO PLATA 8.8 T0304008 (u. 1)	
15	PALANCA MUELLES VALV.ESCAPE EC125-2001 ME120116053 (u. 1)	OBSOLETO
16	EJE VALV.ESCAPE CIL.125-2009 ME723001209 (u. 1)	OBSOLETO
17	PLANCHA FIJADOR EJE VALV.ESCAPE/CIL. ME120116114 (u. 1)	OBSOLETO
18	ALLEN 5X10 DIN 912 ZINC 12.9 0/000.460.9145 (u. 1)	
	ALLEN 5X10 T0305010 (u. 1)	OBSOLETO
19	ARANDELA 5X12X1.5 DIN 125A ZINC 0/000.440.9121 (u. 1)	
	ARANDELA 5X12X1.5 T4005012 (u. 1)	OBSOLETO
20	JUNTA TAPA VALV.DCH.O.1mm ME120144007 (u. 1)	
21	TAPA VALV.DCH.A.EC125-2001 ME120110002 (u. 1)	
22	ALLEN 5x12 T0305012 (u. 1)	
23	JUNTA ESCAPE EC125-2001 ME120144012 (u. 1)	
24	TUBERA ESCAPE INOX.EC125-2003 ME120316019 (u. 1)	
25	EXAG.6x14+ARANDELA INCORP. T0206014 (u. 1)	OBSOLETO
	EXAG+ARANDELA 6x14 DIN 6921 0/000.460.9118 (u. 1)	
26	VALV.DCH.CIL.125-2008 ME720001208 (u. 1)	OBSOLETO
28	TAPA VALV.CENT.EC 125 2013 ME720401213 (u. 1)	
	CTO.TAPA VALV.CENT. ME120510003CT (u. 1)	OBSOLETO
29	ALLEN+6X10 T0406010 (u. 1)	OBSOLETO
30	JUNTA TAPA VALV.CENT.EC125-2001 ME120144006 (u. 1)	
31	GUIA VALV.125 2005 ME120516054 (u. 1)	OBSOLETO
32	AGUJA VALV.ESCAPE 4x19.8 ME120216055 (u. 1)	OBSOLETO
33	DESVAP.11375.00.838 MIT50010012 (u. 1)	

34	ARANDELA COBRE 8.5x16x1.5 DIN 125 A ISO 7090 0/000.440.9130 (u. 1)	
	ARANDELA COBRE 8.5x16x1.5 T4008516 (u. 1)	OBSOLETO
35	ULS 5X10 BN13255 10.9 LAMINAS ZIN. T0505010 (u. 1)	OBSOLETO
	0/000.460.2000 (u. 1)	
36	CASQ.SOP.TIRANTE CULATA CROSS BC120310149 (u. 1)	OBSOLETO
37	SOP.TIRANTES CULATA CROSS 125-2003 BC120310049 (u. 1)	
38	TORICA SOP.TIRANTE CULATA 12.42x1.78 CRO BC120310170 (u. 1)	
39	PALANCA VALV.ESCAPE CTO.EC 125 ME120116050CT (u. 1)	
	PALANCA VALV.ESCAPE EC125-2001 ME120116050 (u. 1)	OBSOLETO
40	ALLEN 5x12 T0305012 (u. 1)	
41	TORN.UFK 5x10 DRACOMET T0315010 (u. 1)	
	TORN.UFK M5x12 T0315012 (u. 1)	
42	TUERCA+ARAN.M-6 (DIN 6923) ESTR. T2206000 (u. 1)	OBSOLETO
	TUERCA+ARAN.M-6 ESTR. DIN 6923 ZINC 8 0/000.340.9116 (u. 1)	
43	TUERCA AUTOBL.M-5 ALTA T2105001 (u. 1)	
44	ARANDELA 5X12X1.5 T4005012 (u. 1)	OBSOLETO
	ARANDELA 5X12X1.5 DIN 125A ZINC 0/000.440.9121 (u. 1)	
46	TUBO RESPIRADERO VALV.S EC-2009 BE733001209 (u. 1)	
48	GUARNIZ. FISSAGGIO TELAIO PARTE POST. 0/000.440.0160 (u. 1)	
	ARANDELA DE 8X16X1,5 T4008016 (u. 1)	OBSOLETO
49	KIT CIL.Y PISTON EC125-2008 ME70000CT1208 (u. 1)	
	KIT CIL.Y PISTON EC125-2009 ME70000CT1209 (u. 1)	OBSOLETO
50	RACORD SALIDA AIRE CIL.125C.C. ME702001209 (u. 1)	OBSOLETO
51	ALLEN 8X45 .ESTRIB. T0308045 (u. 1)	
52	ARANDELA GLOB.R 8X14X2 (DIN 127) ESCP.FI T4008314 (u. 1)	
53	ABRAZ.MUELLE D.12.9-13.6 AMARILLO 020161 BE250210047 (u. 1)	
54	CTO.CIL.MONT.TRIAL 125-2009 MT70000CT1209 (u. 1)	OBSOLETO

**Cilindro 250-300**



	CULATA ENDURO 200-2008 ME750002008 (u. 1)	OBSOLETO
2	CULATA EC250- 2000 ME250016000 (u. 1) - 250	
	CULATA EC300-2000 ME300016000 (u. 1) - 300	
	CULATA EC200-2005 ME200516000 (u. 1)	OBSOLETO
3	JUEGO AROS PISTON TT 250 ME25616040 (u. 1) - 250	
	JUEGO AROS PISTON TT-300 2835CD ME30916040 (u. 1) - 300	
	JUEGO AROS PISTON TT-200 ME20916040 (u. 1) - 200	
4	JUEGO CLIP BULON TT 250 ME25616126 (u. 1)	
5	PISTON TT 300 EC-2004 ME300416020 (u. 1) - 300	
	PISTON TT 200 62.45 A ME20816020 (u. 1)	
	PISTON TT 250 66.33 NOIR ME25616020R (u. 1) - 250	
	PISTON 250 ENDURO B ME25616121R (u. 1) - 250	
	PISTON 66.35 250 ENDURO C ME25616122R (u. 1) - 250	
6	PISTON TT 300 71.95 B ME300416121 (u. 1) - 300	
	BULON PISTON TT 250 ME25616125 (u. 1)	

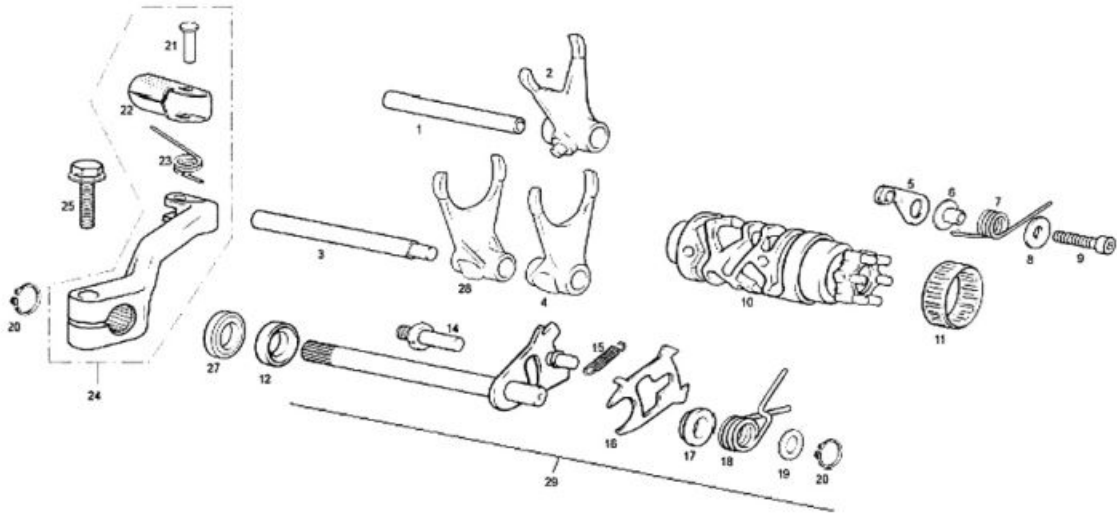
	TORICA EXT=ME25616060 c.c.101.32X1.78 M01619135 (u. 1) - 200	
	TORICA CULATA EXT.107.67x1.78 ME25916060 (u. 1)	OBSOLETO
7	TORICA CULATA EXT.107.67x1.78 ME25916060 (u. 1)	OBSOLETO
	TORICA CULATA EXT.107.67x1.78 0/000.490.9109 (u. 1)	
	TORICA CULATA EXT.107.67x1.78 0/000.490.9109 (u. 1)	
	TORICA CULATA INT.VITON 72.7x1.78 ME25916065 (u. 1)	OBSOLETO
8	TORICA CULATA INT.VITON 72.7x1.78 0/000.490.9110 (u. 1)	
	TORICA CULATA INTER.75.92X1.78 VITON 0/000.490.9111 (u. 1)	
	TORICA CULATA INTER.75.92X1.78 VITON ME30916065 (u. 1)	OBSOLETO
9	TUBO DESV.CARTER (55 cm.) ME25610022 (u. 1)	
	CIL.EC 250 C.C.2013 ME700002513 (u. 1)	
	CIL.EC 300C.C.2013 ME700003013 (u. 1)	OBSOLETO
10	CIL.EC300-2002 ME300216022 (u. 1)	OBSOLETO
	CIL.200-99 ME20916022 (u. 1)	OBSOLETO
	CILINDRO ENDURO 300 2018 ME70000GG-CLJ-1 (u. 1)	
	CIL.TT 99 ME25916022 (u. 1)	OBSOLETO
11	TUERCA CIL.8.8 ESP.10/150 C13 =ME2561603 M01613001 (u. 1)	OBSOLETO
	TUERCA DIN 6923 ZINC 8.8 ESP.10/150 C13 0/000.340.9105 (u. 1)	
12	TORN.ESP.+ARAND.5x15 ZI T0205015 (u. 1)	OBSOLETO
	TORN.ESP.+ARAND.5x15 DIN 6921 GEOMET 10.9 0/000.460.9115 (u. 1)	
13	TAPA VALV.IZQ.TT 250 CAQUI ME25610003 (u. 1)	
14	JUNTA TAPA VAL.IZDA. ME25644006 (u. 1)	
15	JUNTA CIL.0.15 ME25644010 (u. 1)	
16	JUNTA CIL.0.3 ME25644009 (u. 1)	
	JUNTA CIL.BELPA CSA 25 0.50mm ME25644000 (u. 1)	
17	JUNTA ESCAPE ME25644012 (u. 1)	

	DESVP.CARTER D.3=ME25610012 M01032001 (u. 1)	OBSOLETO
18_	DESVP.CARTER D.3=ME25610012 0/000.630.9105 (u. 1)	
	DESVP.CARTER D.3 =M01032001 ME25610012 (u. 1)	OBSOLETO
	DESVP.CARTER D.0.50 97 ME25710012 (u. 1)	
18	DESVP.CARTER D.0.50 97 ME25710012 (u. 1)	
19	ARANDELA FIBRA 6X10X1.5 T4006010 (u. 1)	OBSOLETO
	ARANDELA FIBRA 6X10X1.5 0/000.440.9123 (u. 1)	
20	TUBERA ESCAPE 2005 ME250516019 (u. 1)	
21	TORN.ESP.6x20 10.9 ZINC.(CEX) T0206020 (u. 1)	OBSOLETO
	TORN.ESP.6x20 DIN 6921 GEOMET 10.9 0/000.460.9120 (u. 1)	
	ALLEN 6X20 12.9 T0306020 (u. 1)	
22	JUNTA TAPA TERMOSTATO ME25944011 (u. 1)	
23	TAPA TERMOSTATO ENDUCROSS 2003 ME250316001 (u. 1)	
24	TAPA VALV.IZQ.EC 2013 ME100033013 (u. 1)	OBSOLETO
	TAPA VALV.DCH.TT 250 ME25610002 (u. 1)	OBSOLETO
	TAPA VALV.IZQ.EC 2013 0/000.350.9104 (u. 1)	
25	JUNTA TAPA VAL.DCH.1mm ME25644007 (u. 1)	
26	EXAG.6x14+ARANDELA INCORP. T0206014 (u. 1)	OBSOLETO
	EXAG+ARANDELA 6x14 DIN 6921 0/000.460.9118 (u. 1)	
27	TORICA TUBERA ESCAPE 44X3 FP (viton) BE250526006 (u. 1)	
28	EJE VALV.ESCAP LARGO 93mm. ME25616027 (u. 1)	
29	EJE VALV.ESCAPE CORTO 83mm. ME25616017 (u. 1)	
30	VALV.ESCAPE CENT. ME25616015 (u. 1)	
31	VALV.ESCAPE DCH.A.(LARGA) ME25616016 (u. 1)	
32	VALV.ESCAPE IZDA.(CORTA) ME25616014 (u. 1)	
33	ALLEN 5x12 T0305012 (u. 1)	
34	ARANDELA 5X12X1.5 T4005012 (u. 1)	OBSOLETO
	ARANDELA 5X12X1.5 DIN 125A ZINC 0/000.440.9121 (u. 1)	

35	CTO.PALANCA VALV.ESCAPE ME25616050 (u. 1)	
36	SEP.COJINETE VAL.ESCAPE ME25916048 (u. 1)	OBSOLETO
37	RODAM.BOMBA AGUA 6000C3Z =M03313001 0/000.960.9107 (u. 1)	
	RODAM.BOMBA AGUA 6000C3Z =M03313001 ME25610010 (u. 1)	OBSOLETO
38	DIST.COJINETE VALV.ESCAPE ME25616036 (u. 1)	
39	GUARNIZ. FISSAGGIO TELAIO PARTE POST. 0/000.440.0160 (u. 1)	
	ARANDELA DE 8X16X1,5 T4008016 (u. 1)	OBSOLETO
40	RODA.EJE CENTRI.Y BOMBA 608.Z.C3 0/000.960.9108 (u. 1)	
	RODA.EJE CENTRI.Y BOMBA 608.Z.C3 ME25616032 (u. 1)	OBSOLETO
41	ARANDELA COBRE 6X10X1.5 TORN.VAC.AGUA CI 0/000.440.9122 (u. 1)	
	ARANDELA COBRE 6X10X1.5 TORN.VAC.AGUA CI T4006008 (u. 1)	OBSOLETO
	ARANDELA COBRE 6x10x1.5 TAPA TERMOSTATO ME25916002 (u. 1)	OBSOLETO
42	ALLEN 6X10 8.8 BOB. T0306010 (u. 1)	
43	ARANDELA 6X18X1.5 (DIN 9021) T4006018 (u. 1)	OBSOLETO
	ARANDELA 6X18X1.5 DIN 9021 ZINC 0/000.440.9126 (u. 1)	
44	ARANDELA PLANA 6X12X1.5 DIN 125 ZINC 0/000.440.9124 (u. 1)	
	ARANDELA PLANA 6X12X1.5 (DIN 125) T4006012 (u. 1)	OBSOLETO
45	ARANDELA COBRE 8.5x16x1.5 DIN 125 A ISO 7090 0/000.440.9130 (u. 1)	
	ARANDELA COBRE 8.5x16x1.5 T4008516 (u. 1)	OBSOLETO
49	VALV.ESCAPE IZQ.HOMOL.EC2006 ME25616014H (u. 1)	OBSOLETO
50	CTO.CIL.EC 250 AMB VALV.ESC ME25916022CT (u. 1)	OBSOLETO
	CTO.CILINDRO EC250 2015 ME70000CT-CEB-1 (u. 1)	
	CTO.CIL.EC 300 AMB VALV.ESC ME300216022CT (u. 1)	OBSOLETO



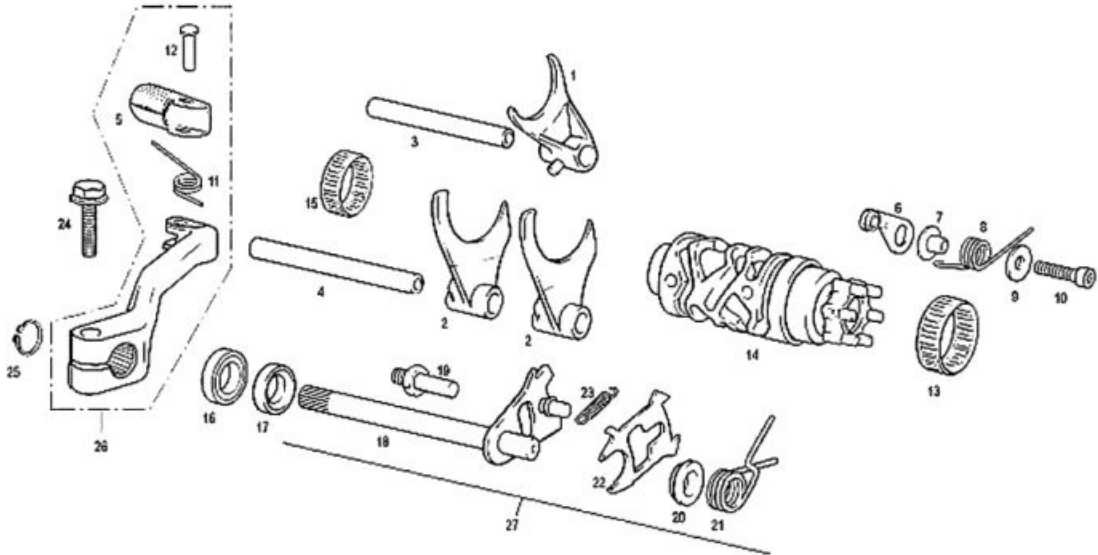
**Eje de cambio 125**



1	EJE HORQ.CORTO EC125-2001 ME120136045 (u. 1)	OBSOLETO
2	HORQ.PRIM.5-6 ME120136009 (u. 1)	OBSOLETO
3	EJE HORQ.LARGO ME120136044 (u. 1)	
4	HORQ.SEC.1-4 EC125-2001 ME120136008 (u. 1)	OBSOLETO
5	FIJADOR MARCHAS EC COMP. 0/005.560.9100 (u. 1)	
	FIJADOR MARCHAS EC COMP. ME250036033CT (u. 1)	OBSOLETO
6	CASQU.PLATINA FIJ.MARCHAS 0/000.480.9122 (u. 1)	
	CASQU.PLATINA FIJ.MARCHAS ME25636047 (u. 1)	OBSOLETO
7	MUELLE FIJADOR MARCHAS EC125cc ME120136034 (u. 1)	
8	ARANDELA PLANA 6.5X16X1.5 T4006016 (u. 1)	OBSOLETO
	ARANDELA PLANA 6.5X16X1.5 DIN 125 ZINC 0/000.440.9125 (u. 1)	
9	ALLEN 6X25 TA.EMB,CART,SUSP.12.9 T0306025 (u. 1)	
10	DESMODROMICO EC 125-2005 ME120536031 (u. 1)	
11	ROD.DESMO.HK3512=M03650000 ME25636054 (u. 1)	OBSOLETO
	ROD.DESMO.HK3512=M03650000 0/000.960.9110 (u. 1)	

12	CASQ.EJE SELEC. ME250136050 (u. 1)	
14	TORN.CENTR.MUELLE SELEC. 0/000.460.9110 (u. 1)	
	TORN.CENTR.MUELLE SELEC. ME25636042 (u. 1)	OBSOLETO
15	MUELLE ESCORPION 250.TT. ME25636039 (u. 1)	
16	ESCORPION EC250-2002 ME250236036 (u. 1)	
17	DOLLA CENTRADOR ESCORPION EC250-2002 ME250236041 (u. 1)	
18	MUELLE SELEC. ME25636035 (u. 1)	
19	ARANDELA 12,10/12.25x22x3 EJE SELEC. T4012022 (u. 1)	OBSOLETO
20	SEEGER 12X1 DIN 471 0/000.300.9104 (u. 1)	
	SEEGER 12X1 EXT.EJE SELEC. ME25636043 (u. 1)	OBSOLETO
21	PASADOR PUNT.PEDAL 6X18 =M03810010 ME25636030 (u. 1)	
22	PUNTERA PEDAL CAMBIO TRIAL ME25636027 (u. 1)	
23	MUELLE PUNTERA PEDAL CAMBIO ME25636029 (u. 1)	
24	PEDAL CAMBIO EC125-2003 ME120336026 (u. 1)	
25	TORN.ESP.6x20 10.9 ZINC.(CEX) T0206020 (u. 1)	OBSOLETO
	TORN.ESP.6x20 DIN 6921 GEOMET 10.9 0/000.460.9120 (u. 1)	
27	RETEN SELEC.12-19-5 AS-CC ME120136048 (u. 1)	
28	HORQ.SEC.2-3 EC125-2001 ME120136108 (u. 1)	OBSOLETO
29	EJE SELEC.EC125 COMP. ME120236038CT (u. 1)	

**Eje de cambio 250-300**

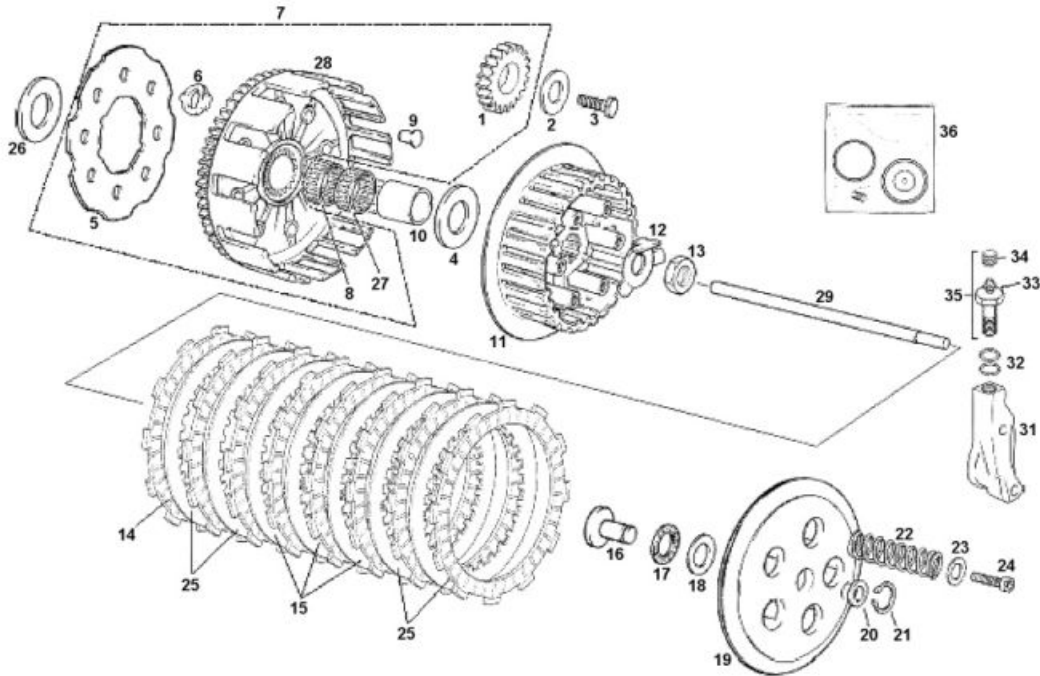


1	HORQ.5-6 0/005.330.9101 (u. 1)	
	HORQ.5-6 ME25636009 (u. 1)	OBSOLETO
2	HORQ.1-2-3-4 0/005.330.9100 (u. 1)	OBSOLETO
	HORQ.1-2-3-4 ME25636008 (u. 1)	OBSOLETO
3	EJE HORQ.CORTO ME25636045 (u. 1)	OBSOLETO
	EJE HORQ.CORTO 0/000.190.9107 (u. 1)	
4	EJE HORQ.LARGO 0/000.190.9106 (u. 1)	
	EJE HORQ.LARGO ME25636044 (u. 1)	OBSOLETO
5	PUNTERA PEDAL CAMBIO TRIAL ME25636027 (u. 1)	
6	FIJADOR MARCHAS EC-2000 ME250036033 (u. 1)	OBSOLETO
	FIJADOR MARCHAS EC COMP. ME250036033CT (u. 1)	OBSOLETO
	FIJADOR MARCHAS EC COMP. 0/005.560.9100 (u. 1)	
7	CASQU.PLATINA FIJ.MARCHAS 0/000.480.9122 (u. 1)	
	CASQU.PLATINA FIJ.MARCHAS ME25636047 (u. 1)	OBSOLETO

8	MUELLE FIJADOR MARCHAS EC-2000 0/000.470.9108 (u. 1)	
	MUELLE FIJADOR MARCHAS EC-2000 ME250036034 (u. 1)	OBSOLETO
9	ARANDELA PLANA 6.5X16X1.5 DIN 125 ZINC 0/000.440.9125 (u. 1)	
	ARANDELA PLANA 6.5X16X1.5 T4006016 (u. 1)	OBSOLETO
10	ALLEN 6X25 TA.EMB,CART,SUSP.12.9 T0306025 (u. 1)	
11	MUELLE PUNTERA PEDAL CAMBIO ME25636029 (u. 1)	
12	PASADOR PUNT.PEDAL 6X18 =M03810010 ME25636030 (u. 1)	
13	ROD.DESMO.HK3512=M03650000 ME25636054 (u. 1)	OBSOLETO
	ROD.DESMO.HK3512=M03650000 0/000.960.9110 (u. 1)	
14	DESMODROMICO EC-2005 ME250536031 (u. 1)	OBSOLETO
	DESMODROMICO EC-2005 0/005.090.9100 (u. 1)	
15	RODAM.DESMODROMICO HK2512 =M03645000 0/000.960.9111 (u. 1)	
	RODAM.DESMODROMICO HK2512 =M03645000 ME25636055 (u. 1)	OBSOLETO
16	RETEN SELEC.12-22-7 AS-CC =M03821000 0/000.890.9107 (u. 1)	
	RETEN SELEC.12-22-7 AS-CC =M03821000 ME25636048 (u. 1)	OBSOLETO
17	CASQ.EJE SELEC. ME250136050 (u. 1)	
18	EJE SELEC.COMP.EC250 0/005.010.9100 (u. 1)	
	EJE SELEC.COMP.EC250 ME250236038CT (u. 1)	OBSOLETO
	EJE SELEC.EC250-2002 ME250236038 (u. 1)	OBSOLETO
19	TORN.CENTR.MUELLE SELEC. ME25636042 (u. 1)	OBSOLETO
	TORN.CENTR.MUELLE SELEC. 0/000.460.9110 (u. 1)	
20	DOLLA CENTRADOR ESCORPION EC250-2002 ME250236041 (u. 1)	
21	MUELLE SELEC. ME25636035 (u. 1)	
22	ESCORPION EC250-2002 ME250236036 (u. 1)	
23	MUELLE ESCORPION 250.TT. ME25636039 (u. 1)	
24	TORN.ESP.6x20 10.9 ZINC.(CEX) T0206020 (u. 1)	OBSOLETO
	TORN.ESP.6x20 DIN 6921 GEOMET 10.9 0/000.460.9120 (u. 1)	

25	SEEGER 12X1 DIN 471 0/000.300.9104 (u. 1)	
	SEEGER 12X1 EXT.EJE SELEC. ME25636043 (u. 1)	OBSOLETO
26	PEDAL CAMBIO EC125-2003 ME120336026 (u. 1)	
	PEDAL CAMBIO EC-2000 ME250036026 (u. 1)	OBSOLETO
27	EJE SELEC.COMP.EC250 0/005.010.9100 (u. 1)	
	EJE SELEC.COMP.EC250 ME250236038CT (u. 1)	OBSOLETO

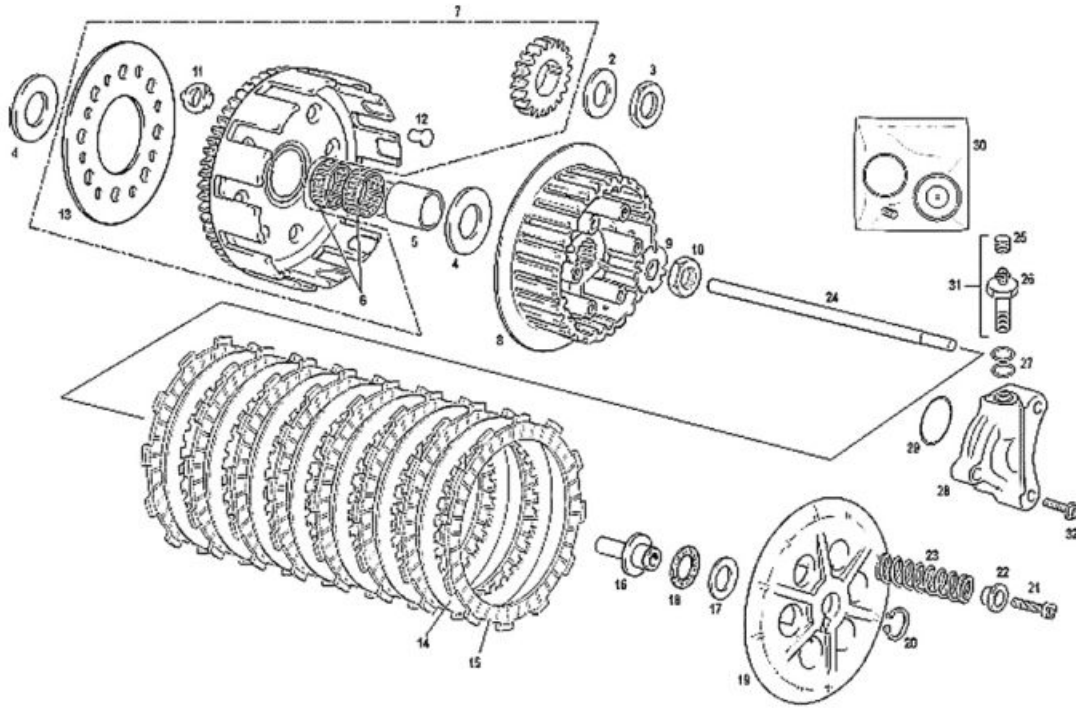
## Embrague 125



1	PIÑÓN CIGUEÑAL TRANS.PRIM. ME120112004 (u. 1)	OBSOLETO
2	ARANDELA GRUESO 10x28x4 NG.TORN.PIÑÓN PR T4001028 (u. 1)	OBSOLETO
4	ARANDELA CAMBIO 20x34x2 ME120136101 (u. 1)	OBSOLETO
5	ARANDELA SUJ.22104-KS6-700 ME120132009 (u. 1)	OBSOLETO
6	SILENBLOCK CORONA 22109-KA3-710 ME120132008 (u. 1)	
7	CTO.EMBR.TT125 COMP. ME120132000 (u. 1)	OBSOLETO
8	COJINETE AGUJAS K25-29-13 EMBR. ME120132031 (u. 1)	
9	REMACHE CAMPANA 22103-KS6-300 ME120132010 (u. 1)	
10	CASQ.CAMPANA EMBR.EC125-2001 ME120132012 (u. 1)	
11	CUBO EMBR.22120-KZ4-A90 EC125-2001 ME120132005 (u. 1)	
12	PRECINTO EMBR.EC125-2001 ME120132022 (u. 1)	
13	TUERCA EMBR.EC125-2001 ME120132028 (u. 1)	
14	DISCO EMBR.FORRADO 22201-KS6-700(16.1205 ME120132007 (u. 1)	
15	DISCO EMBR.HIERRO 272M9 (16.1253) ME120132037 (u. 1)	
16	EMPUJADOR EMBR.EC125-2001 ME120132014 (u. 1)	OBSOLETO

17	RODAM.AXIAL BOLET EMBR.AXK1024 ME120132042 (u. 1)	
18	ARANDELA BOLET EMBR.AS1024 ME120132041 (u. 1)	
19	PLATO EMBR.22351-KZ4-A90 ME120132006 (u. 1)	
20	CASQ.APRETADOR EMBR.EC125-2001 ME120132044 (u. 1)	OBSOLETO
21	SEEGER EJE 15 EMBR. ME25632017 (u. 1)	
22	MUELLE EMBR.39.5x18x2.3x5 pas EC125-2001 ME120132015 (u. 1)	OBSOLETO
23	ARANDELA 6X18X1.5 DIN 9021 ZINC 0/000.440.9126 (u. 1)	OBSOLETO
	ARANDELA 6X18X1.5 (DIN 9021) T4006018 (u. 1)	
24	ALLEN 6X20 12.9 T0306020 (u. 1)	OBSOLETO
	TORN.ESP.6x20 10.9 ZINC.(CEX) T0206020 (u. 1)	
	TORN.ESP.6x20 DIN 6921 GEOMET 10.9 0/000.460.9120 (u. 1)	
25	DISCO EMBR.ALUMINIO 22321-KA3-710(16.125 ME120132038 (u. 1)	
26	ARAND.EMB.TOPE 20.15X38X3.25 M03226000 (u. 1)	OBSOLETO
27	COJINETE AGUJAS K25-29-10 M02616000 (u. 1)	OBSOLETO
	COJINETE AGUJAS K25-29-10 0/000.960.9104 (u. 1)	
28	CAMPANA EMBR.22101-KZ4-A900 ME120132004 (u. 1)	OBSOLETO
	CTO.EMBR.TT125 COMP. ME120132000 (u. 1)	
29	VARILLA EMBR.EC125-2001 ME120132040 (u. 1)	
31	CTO.BOMBIN EMBR.ENDURO 2013 (405.00.006C BE481001213CT (u. 1)	OBSOLETO
	BOMBIN EMBR.HIDRAULICO EC125-2001 ME120132026 (u. 1)	
32	ARANDELA LATIGUILLO 10X14X1 BE25622007 (u. 1)	
33	SANGRADOR PINZA EMBR.TT BE25622060 (u. 1)	
34	TAP.SANGRADOR FD-G006-00 BT27922055 (u. 1)	
36	KIT REP.PINZA EMB.125 ACEITE 2005 160000 BE120522050 (u. 1)	

**Embrague 250-300**



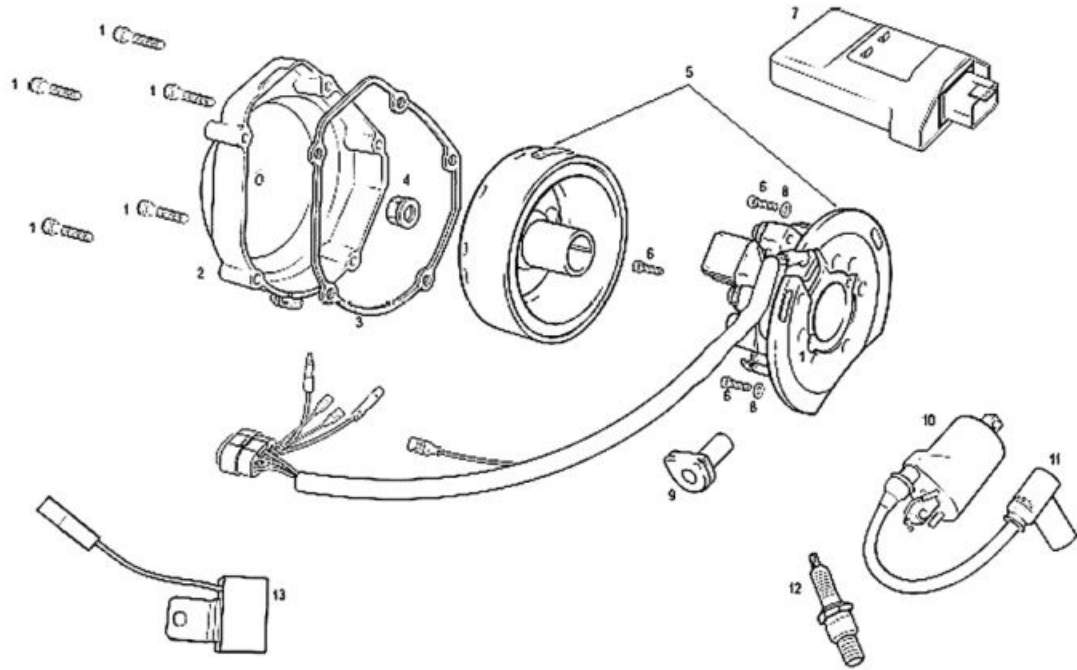
2	ARAN.BISEL.D.20 / 125-B-M 5.6 PULIDA PIÑ ME25632019 (u. 1)	<b>OBSOLETO</b>
	ARANDELA DIN 125 PULIDA D-20 ZINC 40-42HRC 0/000.440.9108 (u. 1)	
3	TUERCA BLOCAJE PIÑON CIGUEÑAL EC-2000 0/000.340.9106 (u. 1)	
	TUERCA BLOCAJE PIÑON CIGUEÑAL EC-2000 ME250032018 (u. 1)	<b>OBSOLETO</b>
4	ARAN.CAMPANA EMBRAG.22.1X42X2.8 0/000.440.9106 (u. 1)	
	ARAN.CAMPANA EMBRAG.22.1X42X2.8 ME25632011 (u. 1)	<b>OBSOLETO</b>
5	CASQ.CAMPANA EMBR. 0/000.480.9121 (u. 1)	
	CASQ.CAMPANA EMBR. ME25632012 (u. 1)	<b>OBSOLETO</b>
6	COJI.CAMP.EMB.K28X33X13FV-M1 M3 0/000.980.9113 (u. 1)	
	COJI.CAMP.EMB.K28X33X13FV-M1 M3 ME25632029 (u. 1)	<b>OBSOLETO</b>
7	CTO.CORONA EMBR.ENDURO 250-300 2014 ME21000CT-CAB-1 (u. 1)	<b>OBSOLETO</b>
	CTO.CORONA EMBR.ENDURO 250-2004 ME250432003CT (u. 1)	<b>OBSOLETO</b>
	CTO.CORONA EMBR.ENDURO 200 ME20932003CT (u. 1)	<b>OBSOLETO</b>
	CTO.CORONA-PIÑON EMBR.ENDURO 250-300 2014 0/005.400.9104 (u. 1)	
	CTO.CORONA EMBR.ENDURO 200 0/005.400.9103 (u. 1)	



	CTO.CUBO EMBR.ENDURO 2018 ME22005CT-CLJ-1 (u. 1)	OBSOLETO
8	CUBO EMBR.4541A ME25632005 (u. 1)	OBSOLETO
	CTO.CUBO EMBR.ENDURO 2018 0/005.350.9100 (u. 1)	
9	ARANDELA PRECINTO EMBR. ME25632022 (u. 1)	
	TUERCA FIJ.CUBO EMB. ME25632028 (u. 1)	OBSOLETO
10	TUERCA FIJ.CUBO EMB. 0/000.340.9107 (u. 1)	
11	GOMA SILENBLOC C4015/115 EMBR.3376 ME20932008 (u. 1)	
12	REMACHE CAMPANA EMBR. ME250132010 (u. 1)	
13	ARANDELA CORONA EMBR. ME20932009 (u. 1)	
14	DISCO EMB.HIERRO 272M44 ME25632037 (u. 1)	
15	DISCOS EMB.FORRADO 7138 ME25632007 (u. 1)	
	BOLET EMBR. ME25632014 (u. 1)	OBSOLETO
16	BOLET EMBR.EC 2012 ME20000013011 (u. 1)	
	PLACA AGUJA ROD.BOLET Y VAL.ESCAPE AS 15 0/000.440.9107 (u. 1)	
17	PLACA AGUJA ROD.BOLET Y VAL.ESCAPE AS 15 ME25632016 (u. 1)	OBSOLETO
	JAULA AGUJA VALV.ESCAPE AXK 1528 0/000.960.9109 (u. 1)	
18	JAULA AGUJA VALV.ESCAPE AXK 1528 ME25632046 (u. 1)	OBSOLETO
	PREMSA EMBR.EC 2012 ME20000003011 (u. 1)	
19	PRENSA EMBR.4898A ME25632006 (u. 1)	
20	SEEGER EJE 15 EMBR. ME25632017 (u. 1)	
	TORN.ESP.6x20 10.9 ZINC.(CEX) T0206020 (u. 1)	OBSOLETO
21	TORN.ESP.6x20 DIN 6921 GEOMET 10.9 0/000.460.9120 (u. 1)	
	ALLEN 6X20 12.9 T0306020 (u. 1)	
22	CASQ.MUELLE EMBR.ALUMINIO ME250032020 (u. 1)	
23	MUELLE EMBR.TT ME25632015 (u. 1)	
	VARILLA EMBR. ME25632040 (u. 1)	OBSOLETO
24	VARILLA EMBR. 0/000.190.9105 (u. 1)	

25	TAP.SANGRADOR TT BE25622055 (u. 1)	OBSOLETO
	TAP.SANGRADOR FD-G006-00 BT27922055 (u. 1)	
26	SANGRADOR PINZA EMBR.TT BE25622060 (u. 1)	
27	ARANDELA LATIGUILLO 10X14X1 BE25622007 (u. 1)	
28	CTO.BOMBIN EMBR.HIDR.550.00.004-C ME25632026 (u. 1)	
29	TORICA BOMB.EMB.LIQ.32X2 EPDM ME25632024 (u. 1)	
30	BOMBIN EMBRAGUE ME250632026 (u. 1)	
	KIT REPARACION BOMBIN EMBR.ACEITE BE250622050 (u. 1)	OBSOLETO
	KIT REP.PINZA EMB.ACEITE 2005 BE250522050 (u. 1)	OBSOLETO
31	RACORD PINZA EMBR.HIDRAU M01060000 (u. 1)	OBSOLETO
	RACOR LATIG.EMBR.(B19007AL/NY) M10X1+SAN BT280522106 (u. 1)	
32	TORN.ESP.6x20 DIN 6921 GEOMET 10.9 0/000.460.9120 (u. 1)	
	TORN.ESP.6x20 10.9 ZINC.(CEX) T0206020 (u. 1)	OBSOLETO

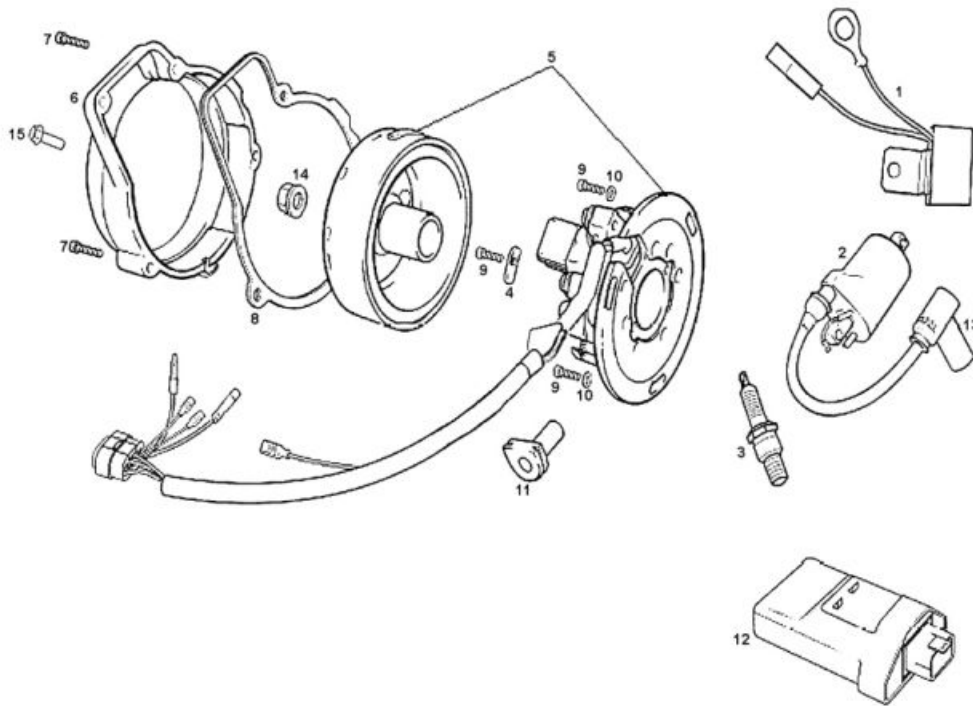
**Generador 125**



1	TORN.ESP.6x40 Fil.20 GEOMET 10.9 0/000.460.9125 (u. 1)	
	TORN.ESP.6x40 Fil.20 T0206040 (u. 1)	<b>OBSOLETO</b>
2	TAPA ENCENDIDO PLASTICO EC125-2001 ME120110004 (u. 1)	
3	JUNTA TAPA VOLANTE EC125-2001 ME120144004 (u. 1)	
4	TUERCA VOLANTE EC400 4T M12x1.25 10.9 MFS400134011 (u. 1)	
5	VOL.MAG.N.FP8049 MC250534005 (u. 1)	<b>OBSOLETO</b>
	VOLANTE MAGNETICO FP8049 EE700001213 (u. 1)	
6	ALLEN 6X16 BOMBA EMB. DIN 912 ZINC 12.9 0/000.460.9147 (u. 1)	
	ALLEN 6X16 BOMBA EMB.12.9 T0306016 (u. 1)	<b>OBSOLETO</b>
7	CDI KOKUSAN CU7508 EC 125-2005 ME120534007 (u. 1)	
8	ARANDELA PLANA 6X12X1.5 DIN 125 ZINC 0/000.440.9124 (u. 1)	
	ARANDELA PLANA 6X12X1.5 (DIN 125) T4006012 (u. 1)	<b>OBSOLETO</b>
9	TAP.GOMA ENCENDIDO ME25934014 (u. 1)	
10	BOB.KOKUSAN IG512L ME250434006 (u. 1)	

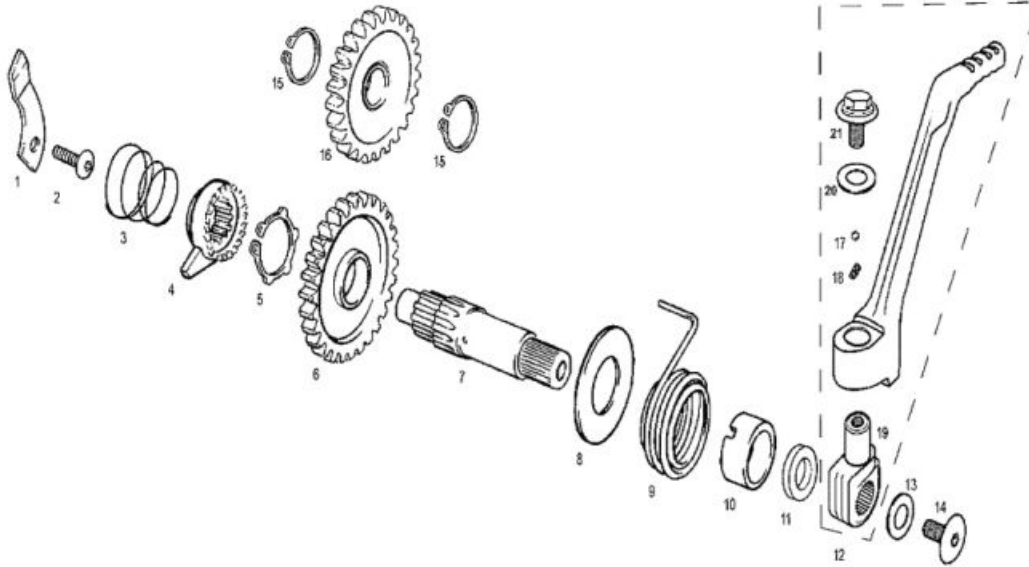
<b>11</b>	BUJIA W24ESRU 0/005.110.9101 (u. 1)	
	BUJIA W24ESRU ME25934000 (u. 1)	<b>OBSOLETO</b>
<b>12</b>	BUJIA W27ESRU ME120134000 (u. 1)	
<b>13</b>	REGUL.ALTERNADOR 415 C = ME25634009 L300031 (u. 1)	

**Generador 250-300**



1	REGUL.ALTERNADOR 415 C = ME25634009 L300031 (u. 1)	
2	BOB.KOKUSAN IG512L ME250434006 (u. 1)	
3	BUJIA W24ESRU 0/005.110.9101 (u. 1)	
3	BUJIA W24ESRU ME25934000 (u. 1)	<b>OBSOLETO</b>
4	CENTRAJE ENCENDIDO ME25934025 (u. 1)	<b>OBSOLETO</b>
5	VOL.MAG.KOKUSAN FP-8050 ME250534005 (u. 1)	
6	TAPA ENCENDIDO PLASTICO 2005 ME250510004 (u. 1)	
7	TORN.ESP.6x40 Fil.20 GEOMET 10.9 0/000.460.9125 (u. 1)	
7	TORN.ESP.6x40 Fil.20 T0206040 (u. 1)	<b>OBSOLETO</b>
8	JUNTA TAPA VOLANTE 0.5MM (SIN SILIC.) ME250544004 (u. 1)	
9	ALLEN 5X20 DRACOMET CEX 12.9 T0305020 (u. 1)	
10	ARANDELA 5X12X1.5 T4005012 (u. 1)	<b>OBSOLETO</b>
10	ARANDELA 5X12X1.5 DIN 125A ZINC 0/000.440.9121 (u. 1)	
11	TAP.GOMA ENCENDIDO ME25934014 (u. 1)	
12	CDI KOKUSAN CU7522 EC2006 ME250634007 (u. 1)	

<b>13</b>	PIPA BUJIA LB05EMH=BT27934000 0/005.110.9100 (u. 1)	
	PIPA BUJIA BE25934000 (u. 1)	<b>OBSOLETO</b>
<b>14</b>	TUERCA VOLANTE EC400 4T M12x1.25 10.9 MFS400134011 (u. 1)	
	TUERCA VOLANTE M12x1,25 COD.DC12FF1 8.8 MC25934011 (u. 1)	<b>OBSOLETO</b>

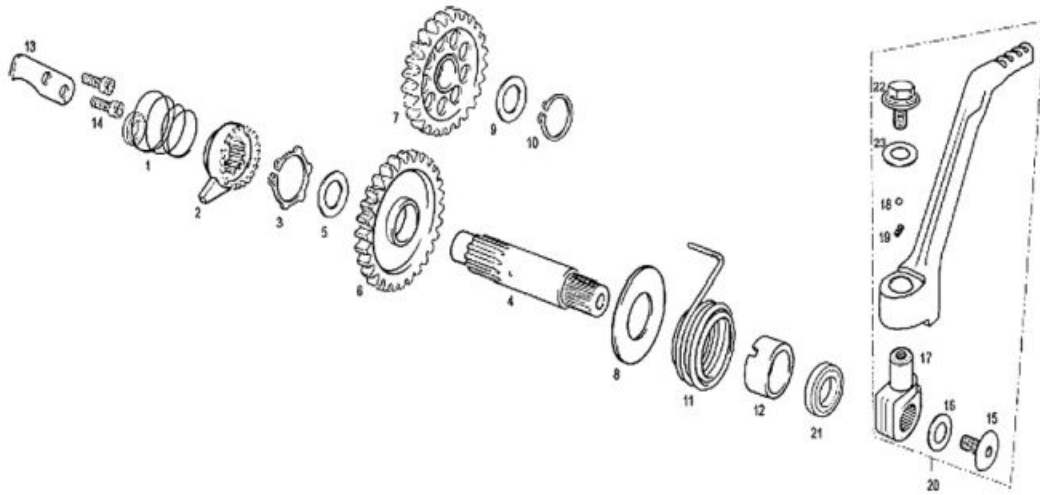
**Palanca de arranque 125**


1	PLATINA TRINQUETE ARRANQUE EC125-2001 ME120136005 (u. 1)	
2	TORN.UFK M5x12 T0315012 (u. 1)	
2	TORN.UFK 5x10 DRACOMET T0315010 (u. 1)	
3	MUELLE TRINQUETE ARRANQUE 0/000.470.9109 (u. 1)	
3	MUELLE TRINQUETE ARRANQUE ME25636006 (u. 1)	<b>OBSOLETO</b>
4	TRINQUETE ARRANQUE EC125cc 0/005.400.9110 (u. 1)	
4	TRINQUETE ARRANQUE EC125cc ME120126004 (u. 1)	<b>OBSOLETO</b>
5	SEEGER AK-20 PARA EJE DIN 983 MT27836052 (u. 1)	<b>OBSOLETO</b>
6	PIÑON ARRANQUE MT27836002 (u. 1)	<b>OBSOLETO</b>
7	EJE ARRANQUE+AGUJERO EC125-2001 ME120136003 (u. 1)	
8	ARANDELA ARRANQUE 46X18.6X1 M02614002 (u. 1)	
9	MUELLE RETORNO PEDAL.18. M02613001 (u. 1)	
10	CASQ.CENTRADOR MUELLE ARRANQUE ME250136053 (u. 1)	
11	RETEN PEDAL ARRANQUE 18x28x7 ME120132021 (u. 1)	

	PEDAL ARRANQUE EC 125 2014 ME89000CT-BZV-1 (u. 1)	OBSOLETO
	PEDAL ARRANQUE Y MUÑEQUILLA EC 250 4T 20 MFS890002510 (u. 1)	OBSOLETO
<b>12</b>	PEDAL ARRANQUE Y MUÑ. EC125-2001 ME120136060 (u. 1)	OBSOLETO
	CTO.PEDAL ARRANQUE ME89000CT2511 (u. 1)	OBSOLETO
	CTO.PEDAL ARRANQUE 0/005.430.9101 (u. 1)	
<b>13</b>	ARANDELA 6,5X20X1.5 T4006020 (u. 1)	
	TORN.6X12 HUELLA TORX ESP.ZI T0316012 (u. 1)	OBSOLETO
<b>14</b>	ALLEN 6X12 T0306012 (u. 1)	OBSOLETO
	TORN.ESP.+ARAND.5x15 DIN 6921 GEOMET 10.9 0/000.460.9115 (u. 1)	
	SEEGER D.15MM DIN 471 0/000.300.9101 (u. 1)	
<b>15</b>	SEEGER D 15MM DIN 471 PIÑON INT.ARRANQUE M02623000 (u. 1)	OBSOLETO
<b>16</b>	PIÑON INT.ARRANQUE EC125-2001 ME120126001 (u. 1)	
<b>17</b>	BOLA MUÑEQUILLA PEDAL ARRANQUE ME250036062 (u. 1)	
<b>18</b>	MUELLE MUÑEQUILLA PEDAL ARRANQUE ME250036066 (u. 1)	
<b>20</b>	TORICA D-11x2=M01016100=ME25610026 ME250036063 (u. 1)	
<b>21</b>	BOLA MUÑEQUILLA PEDAL ARRANQUE ME250036062 (u. 1)	



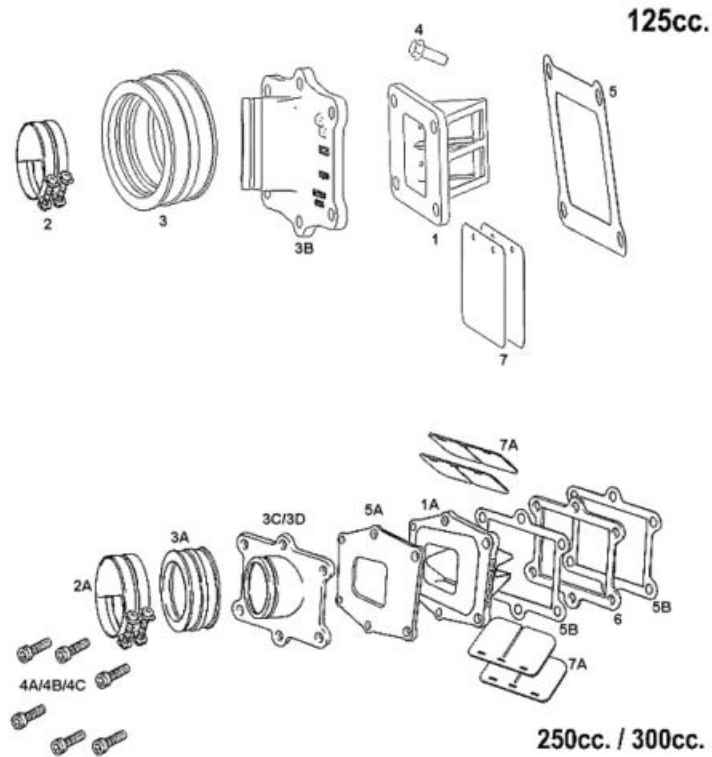
**Palanca de arranque 250-300**



1	MUELLE TRINQUETE ARRANQUE ME25636006 (u. 1)	OBSOLETO
	MUELLE TRINQUETE ARRANQUE 0/000.470.9109 (u. 1)	
2	TRINQUETE ARRANQUE EC125cc 0/005.400.9110 (u. 1)	OBSOLETO
	TRINQUETE ARRANQUE EC125cc ME120126004 (u. 1)	
3	SEEGER D.20 DIN 471 0/000.300.9105 (u. 1)	OBSOLETO
	SEEGER DE 20 ARRANQUE=M03615000 ME25636052 (u. 1)	
4	EJE ARRANQUE EC-2001 0/005.400.9106 (u. 1)	OBSOLETO
	EJE ARRANQUE EC-2001 ME250126003 (u. 1)	
5	ARAN.TOPE 27X20.2X1 DESPL ARRAN. 0/000.440.9109 (u. 1)	OBSOLETO
	ARAN.TOPE 27X20.2X1 DESPL ARRAN. ME25636000 (u. 1)	
6	PIÑÓN ARRANQUE EC-2001 ME250126002 (u. 1)	OBSOLETO
	PIÑÓN ARRANQUE EC-2001 0/005.400.9105 (u. 1)	
7	PIÑÓN INT.ARRANQUE EC-2008 ME880002508 (u. 1)	OBSOLETO
	PIÑÓN INT.ARRANQUE EC-2008 0/005.400.9108 (u. 1)	

8	ARANDELA ARRANQUE 20X40X1 0/000.440.9111 (u. 1)	
	ARANDELA ARRANQUE 20X40X1 ME25636051 (u. 1)	OBSOLETO
9	VOLANDERA PIÑON ARRAN.24X15.15X0.8 ME25636012 (u. 1)	OBSOLETO
	VOLANDERA PIÑON ARRAN.24X15.15X0.8 0/000.440.9110 (u. 1)	
10	SEEGER EJE 15 EMBR. ME25632017 (u. 1)	
11	MUELLE ARRANQUE ME25636007 (u. 1)	
12	CASQ.CENTRADOR MUELLE ARRANQUE ME250136053 (u. 1)	
13	PLATINA TRINQUETE ARRANQUE 0/000.980.9114 (u. 1)	
	PLATINA TRINQUETE ARRANQUE ME25636005 (u. 1)	OBSOLETO
14	ALLEN 5x16 DRACOMET T0305016 (u. 1)	
	ALLEN 5x15 DRACOMET T0305015 (u. 1)	OBSOLETO
15	TORN.ESP.+ARAND.5x15 DIN 6921 GEOMET 10.9 0/000.460.9115 (u. 1)	
	ALLEN 6X12 T0306012 (u. 1)	OBSOLETO
	TORN.6X12 HUELLA TORX ESP.ZI T0316012 (u. 1)	OBSOLETO
16	ARANDELA 6,5X20X1.5 T4006020 (u. 1)	
17	MUÑEQUILLA PEDAL ARRANQUE D.18 ME250036061 (u. 1)	
18	BOLA MUÑEQUILLA PEDAL ARRANQUE ME250036062 (u. 1)	
19	MUELLE MUÑEQUILLA PEDAL ARRANQUE ME250036066 (u. 1)	
20	PEDAL ARRANQUE Y MUÑEQUILLA EC-2010 ME890002510 (u. 1)	OBSOLETO
	PEDAL ARRANQUE Y MUÑEQUILLA EC 250 4T 20 MFS890002510 (u. 1)	OBSOLETO
	CTO.PEDAL ARRANQUE ME89000CT2511 (u. 1)	OBSOLETO
	CTO.PEDAL ARRANQUE 0/005.430.9101 (u. 1)	
21	RETEN PEDAL ARRAN.20X30X7 ME25632021 (u. 1)	OBSOLETO
	RETEN PEDAL ARRAN.20X30X7 0/000.890.9105 (u. 1)	
22	BOLA MUÑEQUILLA PEDAL ARRANQUE ME250036062 (u. 1)	
23	TORICA D-11x2=M01016100=ME25610026 ME250036063 (u. 1)	

Válvula de láminas



<b>1</b>	CAJA LAMINAS VFORCE V302A ME120616021 (u. 1) - 125	
	KIT SUBST.ME25616021 ME25616021R (u. 1)	
<b>1_</b>	CTO.CAJA LAMINAS ACABADA ENDURO HOBBIE 2 ME200716021CT (u. 1)	<b>OBSOLETO</b>
	CAJA LAMINAS V305A ME250616021 (u. 1) - 250, 300	
	CAJA LAMINAS VFORCE V302A ME120616021 (u. 1) - 125	
<b>2</b>	ABRAZ.NORMA S54 ME120616132 (u. 1)	
	ABRAZ.S56/9 W1 ZINC 0/000.680.9109 (u. 1)	
<b>2_</b>	ABRAZ.S56/9 W1 MT280316132 (u. 1)	<b>OBSOLETO</b>
	ABRAZ.NORMA S54 ME120616132 (u. 1)	
<b>3</b>	GOMA CAJA LAMINAS BOYESSEN EC125-2001 ME120116131 (u. 1)	<b>OBSOLETO</b>
	TUBERA CAJA LAMINAS ME120116131R (u. 1)	

	GOMA CAJA DE LAMINAS EC250-2006 ME250616131 (u. 1)	
	TUBERA ADMISION 5MV-13565-00-00 ME120616135 (u. 1)	OBSOLETO
	GOMA CAJA LAMINAS BOYESSEN EC125-2001 ME120116131 (u. 1)	OBSOLETO
3_	TUBERA CAJA LAMINAS ME120116131R (u. 1)	
	TUBERA CAJA LAMINAS EC-2008 EURO3 ME250816135 (u. 1)	
	TUBERA CAJA LAMINAS EC250-2006 ME250616135 (u. 1)	
	CAJA LAMINAS RAD 93 TT125-2001 ME120116021 (u. 1)	
4	TORN.ESP.6x20 DIN 6921 GEOMET 10.9 0/000.460.9120 (u. 1)	
	TORN.ESP.6x20 10.9 ZINC.(CEX) T0206020 (u. 1)	OBSOLETO
	TORN.ESP.6x20 10.9 ZINC.(CEX) T0206020 (u. 1)	OBSOLETO
	TORN.ESP.6X25(10.9) VALONA 11MM T0206025 (u. 1)	OBSOLETO
	ALLEN 6X16 BOMBA EMB.12.9 T0306016 (u. 1)	OBSOLETO
4_	TORN.ESP.6x20 DIN 6921 GEOMET 10.9 0/000.460.9120 (u. 1)	
	TORN.ESP.M6x30 T0206030 (u. 1)	OBSOLETO
	TORN.ESP.6X25 DIN 6921 GEOMET 10.9 VALONA 11MM 0/000.460.9121 (u. 1)	
	TORN.ESP.M6x30 DIN 6921 GEOMET 0/000.460.9123 (u. 1)	
	ALLEN 6X16 BOMBA EMB. DIN 912 ZINC 12.9 0/000.460.9147 (u. 1)	
5	JUNTA CAJA LAMINAS ENDURO 2006 ME120644005 (u. 1)	
	JUNTA CAJA LAMINAS CARTER EC250-2006 ME250644005 (u. 1) - 250, 300	
	JUNTA CAJA LAMINAS EC 200 2010 ME946002010 (u. 1) - 200	
5_	JUNTA CAJA LAMINAS ENDURO 2006 ME120644005 (u. 1)	
	JUNTA CAJA LAMINAS CARTER EC250-2006 ME250644005 (u. 1) - 250, 300	
	JUNTA CAJA LAMINAS TUBERA EC250 2006 ME250644105 (u. 1)	
	JUNTA CAJA LAMINAS EC 200 2010 ME946002010 (u. 1) - 200	
6	DIST.CAJA LAMINAS 4mm.V-FORCE ME300616057 (u. 1)	
7	LAMINAS 125 VFORCE ME120616041 (u. 1)	

	LAMINAS VFORCE 3R682M ME250616041 (u. 1) - 250, 300
	JUEGO LAMINAS ADMISION TT 125cc ME120116041 (u. 1) - 200
7-	LAMINAS 125 VFORCE ME120616041 (u. 1)
	LAMINAS VFORCE 3R682M ME250616041 (u. 1) - 250, 300
	JUEGO LAMINAS ADMISION TT 125cc ME120116041 (u. 1) - 200