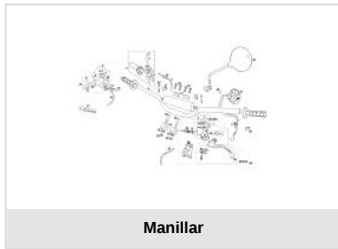




## **EC 2T 300cc 2017**

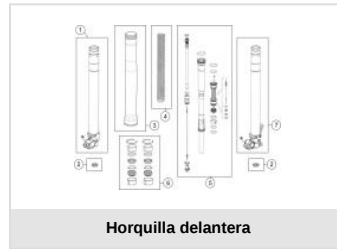
### **Exploded**



**Manillar**



**Suspensión delantera**



**Horquilla delantera**



**Bastidor**



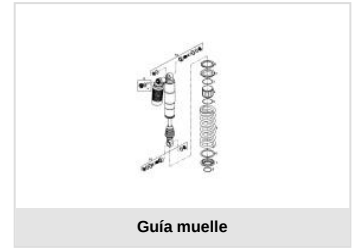
**Bastidor trasero**



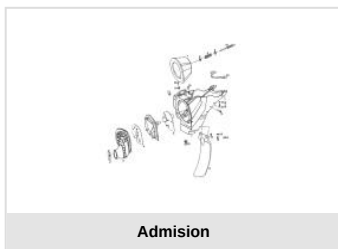
**Horquilla trasera**



**Amortiguador trasero**



**Guía muelle**



**Admision**



**Carrocería delantera**



**Deposito gasolina**



**Carrocería trasera**



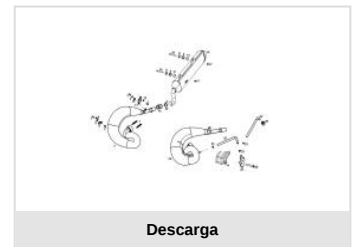
**Montaje carrocería plásticos E-Start**



**Adhesivos**



**Radiador**



**Descarga**



**Conjunto de cables**



**Conjunto de cables para e-start**



**Intermitente homologado**



**Rueda delantera**

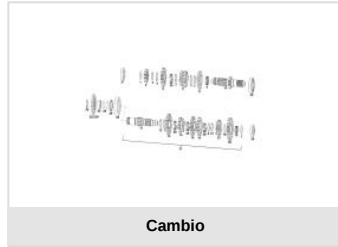


**Rueda trasera**

**EC 2T 2017 - Engine**



**Palanca de arranque**



**Cambio**



**Válvula de láminas**



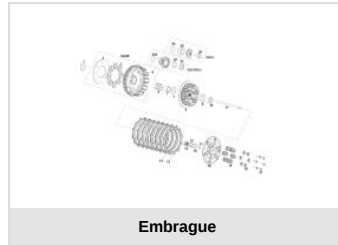
**Cilindro**



**Cigüeñal**



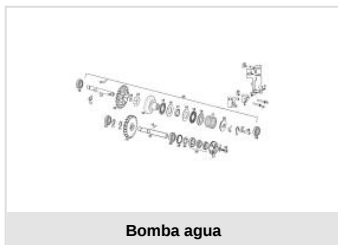
**Generador**



**Embrague**



**Cárter de motor**



**Bomba agua**

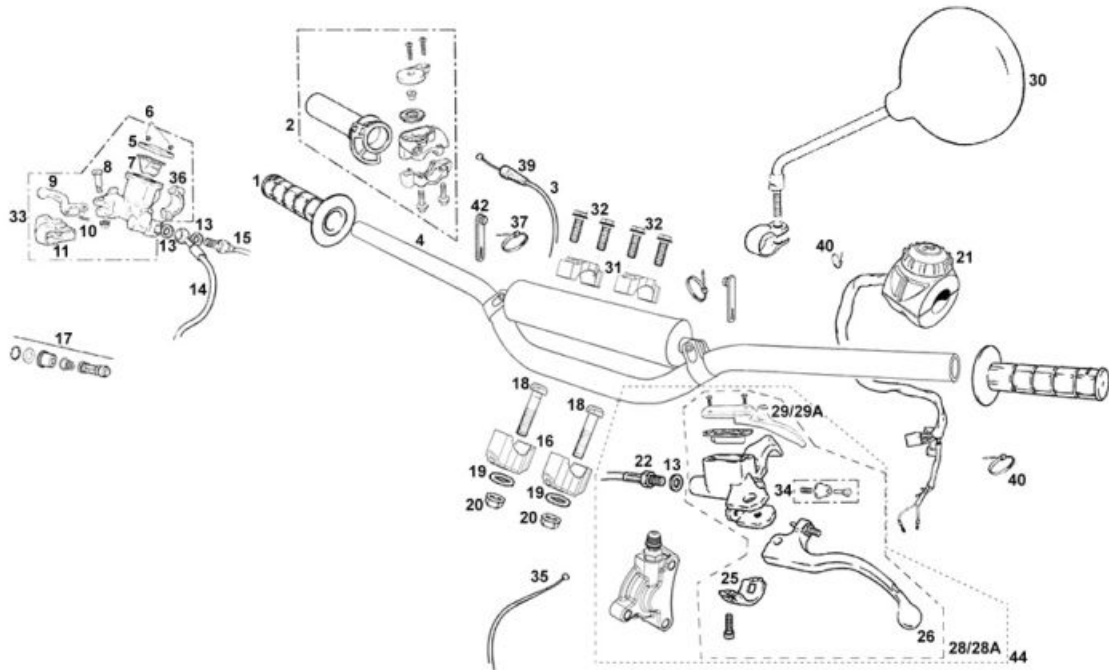


**Eje de cambio**



**Carburador**

**Manillar**

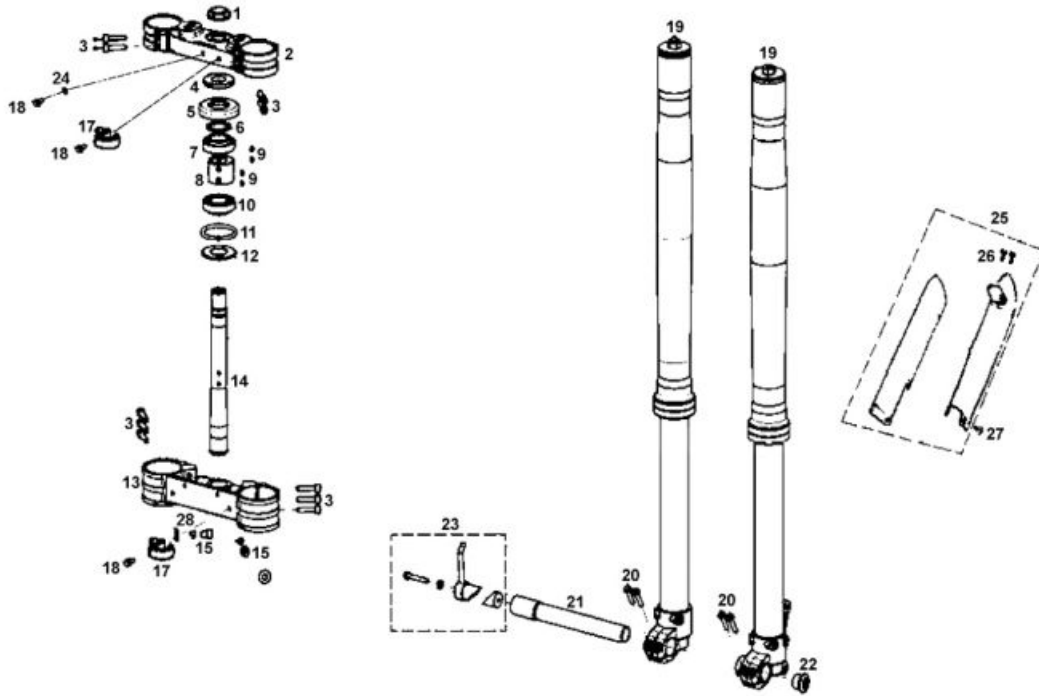


1	JUEGO EMPUÑADURA EC 2016 NEGRO BE26100GG-EKF-1 (u. 1)	<b>OBSOLETO</b>
	JUEGO EMPUÑADURA EC 2016 NEGRO 0/000.530.9102 (u. 1)	
2	PUÑO GAS TT (3291.03.00-1) BE25724007 (u. 1)	<b>OBSOLETO</b>
	PUÑO GAS TT (3291.03.00-1) 0/000.530.9100 (u. 1)	
3	CABLE DE GAS EC-2009 BE785002509 (u. 1)	
4	MANILLAR EC RACING 2014 MT339KP 0/000.170.9100 (u. 1)	
	MANILLAR EC RACING 2014 MT339KP BE25000GG-CAB-1 (u. 1)	<b>OBSOLETO</b>
5	TAPA BOMBA 009-M91-099 BC25922210 (u. 1)	
6	TORN.TAPA BOMBA 049-Z02-064 BC25922217 (u. 1)	
7	GOMA ANTIESPUMANTE 003-M68-042 BC25922216 (u. 1)	
8	TORN.ESP.083-M87-012 BC25922212 (u. 1)	
9	MANETA FRENO TT250 2904 ( 3274 ) BC250022045R (u. 1)	
10	TENSOR MANETA NISSIN 003-M84-107 BC25922218 (u. 1)	
11	GUARDAPOLVO BC25922213 (u. 1)	
13	ARANDELA LATIGUILLO 10X14X1 BE25622007 (u. 1)	

14	LATIGUILLO FRENO DEL.EC-2004- 740 746112 BE250422002 (u. 1)	
15	INTERRUPTOR 23-016/1 STOP BOMBA NISSIN 3 0/000.720.9104 (u. 1)	
	INTERRUPTOR 23-016/1 STOP BOMBA NISSIN 3 BE250334003 (u. 1)	OBSOLETO
16	BRIDA SUJ.MANILLAR INF.VAR.EC 2014 COLOR BE25750GG-CAB-1 (u. 1)	
17	KIT PISTON FRENO A 113-MK1-GAS BC25922219 (u. 1)	
18	TORN.ESP.10X45 BRIDA INF. G5 12.9 0/000.460.9113 (u. 1)	
	TORN.ESP.10X45 BRIDA INF. T0201045 (u. 1)	OBSOLETO
19	DIST.BRIDA INF.MANILLAR EC2003 BE250314035 (u. 1)	
20	TUERCA AUTOB.M10 PASO 1.50 ARAND. DIN 6926 ZINC 8 0/000.340.9124 (u. 1)	
	TUERCA AUTOB.M10 PASO 1.50 ARAND. T3110003 (u. 1)	OBSOLETO
21	CONMUTADOR DE LUCES HOMO TXT 2016 ET60200GG-CJD-1 (u. 1)	
22	LATIGUILLO EMBR.ENDURO (FK003CE021E) BE250522003 (u. 1)	
25	SOP.BOMBA EMBR. BE250022211 (u. 1)	OBSOLETO
26	MANETA EMBR.PLATA 134.75.001C E200701 (u. 1)	
28	CTO.BOMBA EMBR.+LEVA EC-2008 EURO 3 BE460002508 (u. 1)	
	BOMBA EMBR.ACEITE 650.00.703C BE250522009 (u. 1)	
29	KIT TAPA EMBR.VERDE 180.00.109 BE250622210 (u. 1)	
	TAPETA BOMBA EMBR.+LEVA EC-2008 180.00.3 BE460012508 (u. 1)	
30	CTO.ESPEJO RETROVISOR(REG 81) BT29000GG-CKR-1 (u. 1)	OBSOLETO
	CTO.ESPEJO RETROVISOR(REG 81) 0/000.990.9100 (u. 1)	
	ESPEJO RETROVISOR(CEX) L300760 (u. 1)	
31	BRIDA SUJ.MANILLAR SUP.VAR.EC 2014 COLOR BE25700GG-CAB-1 (u. 1)	
32	TORN.ESP.8X40 8.8 ZINC. T0208040 (u. 1)	OBSOLETO
33	BOMBA FRENO DEL.NISSIN=BC25922008 BC25922008/2 (u. 1)	
34	KIT REP.EMBR.ACEITE 150.00.593C BE250622209 (u. 1)	
35	CABLE STARTER EC-2009 BE256012509 (u. 1)	OBSOLETO
36	BRIDA BC25922211 (u. 1)	

	BRIDA UNEX NYLON 2244 4.8X20 0/000.660.9105 (u. 1)	
<b>37</b>	BRIDA UNEX 2244 4.8X20 BE25634009 (u. 1)	<b>OBSOLETO</b>
	ABRAZADERA INSTALACION 0/000.680.0060 (u. 1)	
<b>39</b>	GUARDAPOLVO PUÑO GAS G600000 (u. 1)	
	BRIDA nylon CORTA 2221-0 2.5X98 =P380003 BE25634010 (u. 1)	<b>OBSOLETO</b>
<b>40</b>	BRIDA 2,5x100 T18ROS-PA66HS-BK 0/000.680.0081 (u. 1)	
	BRIDA UNEX NYLON CORTA 2221-0 2.5X98 =P380003 0/000.660.9106 (u. 1)	
	ABRAZADERA INSTALACION 0/000.680.0060 (u. 1)	
<b>42</b>	GOMA SUJ.CABLEADOS BFS450320067 (u. 1)	<b>OBSOLETO</b>
	GOMA SUJ.CABLEADOS 0/000.360.9110 (u. 1)	
<b>44</b>	CTO.EMBR.-ACEITE EC 250 GG300025 BE45000CT2508 (u. 1)	

**Suspensión delantera**



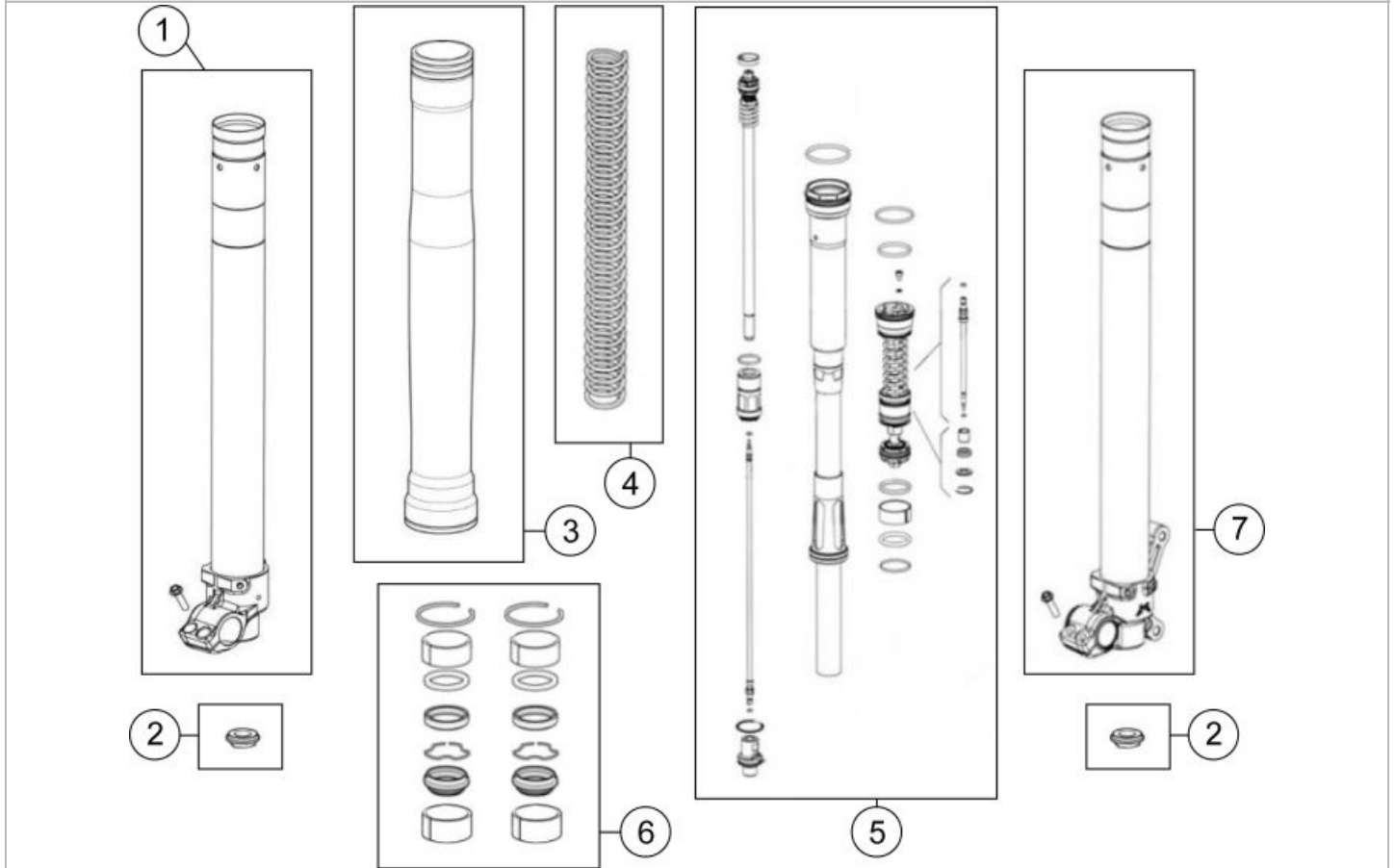
1	TUERCA DIR.SUP. BE25610030 (u. 1)	<b>OBSOLETO</b>
	TUERCA DIR.SUP. 0/000.340.9102 (u. 1)	
2	BRIDA SUP.SUSP.EC-2010 TIT. BE220002510 (u. 1)	
3	ALLEN 7X30 DIN 912 ZINC 12.9 0/000.460.9151 (u. 1)	
	ALLEN DIN 912 7X30 12.9 ZN T0307030 (u. 1)	<b>OBSOLETO</b>
4	TUERCA DIR.INFE. BE25610029 (u. 1)	<b>OBSOLETO</b>
	TUERCA DIR.INFE. 0/000.340.9101 (u. 1)	
5	GUARDAPOLVO COJ.DIR.TT BE25610126 (u. 1)	<b>OBSOLETO</b>
	GUARDAPOLVO COJ.DIR.TT BLANCO 0/000.200.9102 (u. 1)	
6	ARANDELA DIR.INF. 0/000.440.9101 (u. 1)	
	ARANDELA DIR.INF. BE25610028 (u. 1)	<b>OBSOLETO</b>
7	COJINETE DIR.30205A 0/000.960.9101 (u. 1)	
	COJINETE DIR.30205A BE25610008 (u. 1)	<b>OBSOLETO</b>
8	CASQ.CLAUSOR EJE DIR. BE20000033012 (u. 1)	
9	TORN.PRISIONERO M6X8 BE250310073 (u. 1)	

10	COJINETE DIR.INF.320/28 0/000.960.9100 (u. 1)	
	COJINETE DIR.INF.320/28 BE250610008 (u. 1)	OBSOLETO
11	TORICA DIR.50X5 BE25610012 (u. 1)	OBSOLETO
	TORICA DIR.50X5 0/000.490.9102 (u. 1)	
12	CAZOLETA DIR.D28 0/000.200.9101 (u. 1)	
	CAZOLETA DIR.D28 BE250610026 (u. 1)	OBSOLETO
13	BRIDA INF.SUSP.EC-2010 TIT.DIAM 48 BE210002510 (u. 1)	
14	EJE DIR.ENDURO 2006 BE250614003 (u. 1)	
15	ALLEN M-8X10 DIN 912 ZINC 12.9 0/000.460.9152 (u. 1)	
	ALLEN M-8X10 (8.8) (DIN 912) T0308010 (u. 1)	OBSOLETO
17	GUIA LATIGUILLO EC 2011 BE215202511 (u. 1)	
18	EXAG+ARANDELA 6x14 DIN 6921 0/000.460.9118 (u. 1)	
	EXAG.6x14+ARANDELA INCORP. T0206014 (u. 1)	OBSOLETO
19	SUSP.DEI.MZ.48 EC RACING 2013(Y1311300)S BE200013013 (u. 1)	
20	TORN.ESP.M6x30 DIN 6921 GEOMET 0/000.460.9123 (u. 1)	
	TORN.ESP.M6x30 T0206030 (u. 1)	OBSOLETO
21	EJE RUEDA DEL.EC-2011 20.8CM 0/000.190.9102 (u. 1)	
	EJE RUEDA DEL.EC-2011 20.8CM BE53000R3011 (u. 1)	OBSOLETO
22	TUERCA EJE DELANTERO 0/000.340.9100 (u. 1)	
	TORN.EJE RUEDA DEL.M-22 EC250-2007 BE250718026 (u. 1)	OBSOLETO
23	TIRADOR EJE DEL.EC 0/000.980.9123 (u. 1)	
	TIRADOR EJE DEL.EC BE536002511 (u. 1)	OBSOLETO
24	ARANDELA PLANA 6.5X16X1.5 DIN 125 ZINC 0/000.440.9125 (u. 1)	
	ARANDELA PLANA 6.5X16X1.5 T4006016 (u. 1)	OBSOLETO
25	JUEGO PROT.HORQ.NG.EC-REPL.2013 BE946003013 (u. 1)	
26	TORNILLO ESPECIAL ROSCA PLASTICO CABOTA HEXAGONAL CON ARANDELA 6X20 T0806020 (u. 1)	
	TORNILLO DEPÓSITO - SILLÍN Ø6x23 (EJOT ref. 05100519) T0806023 (u. 1)	
27	TORN.ESP.TORX 6X13+CASQ. T0316013 (u. 1)	



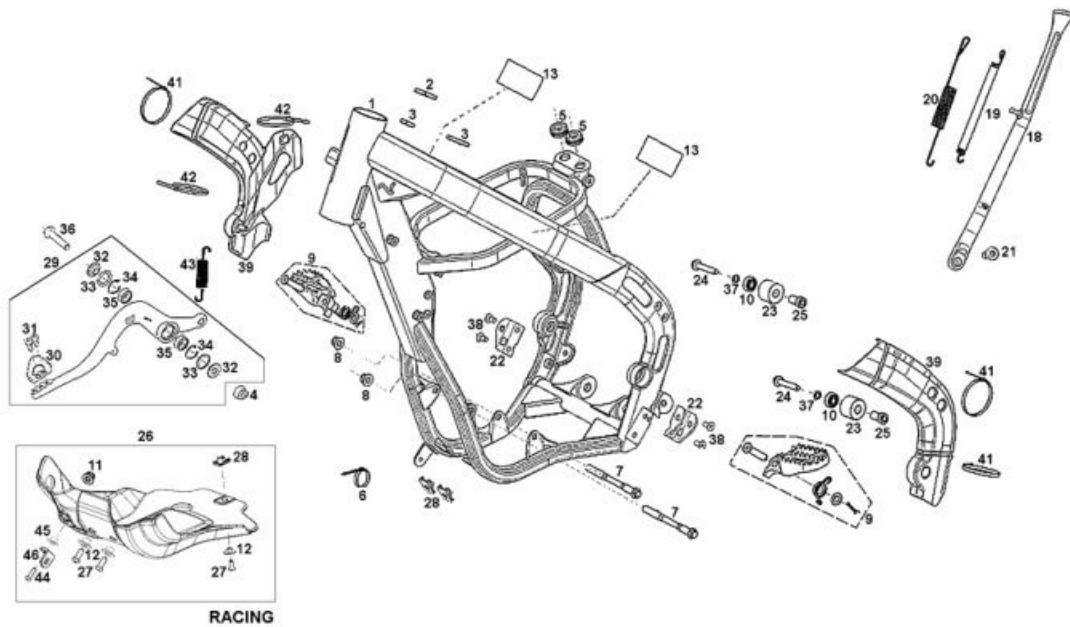
<b>28</b>	ARANDELA DE 8X16X1,5 T4008016 (u. 1)	<b>OBSOLETO</b>
	GUARNIZ. FISSAGGIO TELAIO PARTE POST. 0/000.440.0160 (u. 1)	

**Horquilla delantera**



1	BARRA DERECHA MARZOCHI D 48 819578/R (u. 1)	
2	TUERCA INFERIOR MARZOCHI D 48 521257CH/P (u. 1)	
3	BOTELLA D 48 MARZOCHI 760204LA/C (u. 2)	
4	KIT MUELLE Y5142050 K4.2 D.48 8501645/C (u. 1)	<b>OBSOLETO</b>
	KIT MUELLE Y5142052 K4.6 D.48 8501648/C (u. 1)	
	KIT MUELLE Y5142051 K4.4 D.48 8501647/C (u. 1)	
	KIT MUELLE Y5142054 K 5.0 D.48 8501650/C (u. 1)	
5	CARTUCHO COMP .D48 F/A-F/R 8032082/P (u. 2)	
6	KIT MANTENIMIENTO MARZOCHI D.48 8501639/C (u. 1)	
7	BARRA IZQUIERDA MARZOCHI D 48 819579/R (u. 1)	

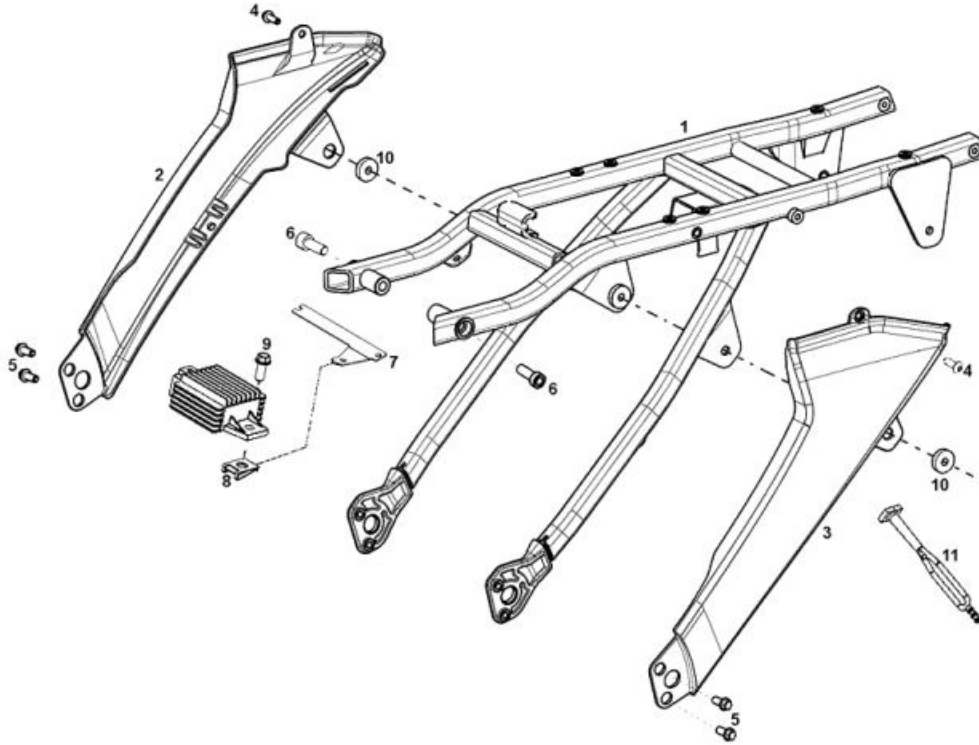
## Bastidor



1	CHASIS COMP.EC 200 250 300 2014 BE10000CT-CAB-1 (u. 1)	
2	CUADRADO GOMA ADHESIVA 25X25X5 BE10000303012 (u. 1)	
3	TIRA RECTA GOMA ADHESIVA 35x10x5 BE10000313012 (u. 1)	
4	TUERCA AUTOBL + ARANDELA M8 ZINC 0/000.340.9119 (u. 1)	
	TUERCA AUTOBL+ARANDELA M8 T2208002 (u. 1)	<b>OBSOLETO</b>
5	SILENBLOCK SILENCIADOR EC-2000 BE250026005 (u. 1)	
6	ABRAZADERA INSTALACION 0/000.680.0060 (u. 1)	
	BRIDA UNEX NYLON 2244 4.8X20 0/000.660.9105 (u. 1)	
	BRIDA UNEX 2244 4.8X20 BE25634009 (u. 1)	<b>OBSOLETO</b>
7	TORN.MOTOR M10x118 T0210118 (u. 1)	<b>OBSOLETO</b>
8	TUERCA AUTOB.M10 PASO 1.25 PLATA T3110002 (u. 1)	<b>OBSOLETO</b>
	TUERCA AUTOB.M10 PASO 1.25 ZINC 8 0/000.340.9123 (u. 1)	
9	CTO.ESTRIBOS EC 2015 BE14005CT-CEQ-1 (u. 1)	
10	RODAM.BOLAS SKF-608-2R51 BE05000033013 (u. 1)	

11	TUERCA AUTOBLOC.DIN-6926 M-6 C/ARAND ZN T2206002 (u. 1)	OBSOLETO
	TUERCA AUTOBLOC. M-6 C/ARAND DIN-6926 ZINC 0/000.340.9117 (u. 1)	
12	CASQ.PROT.CARTER M8 BE11511GG-CAB-1 (u. 1)	
13	ADH.PROT.CHASIS A TAPA LAT.RAD.INF.EC 2 BE95154GG-CAW-1 (u. 1)	OBSOLETO
18	CABALLETE RACING 2013 BE142003013 (u. 1)	
19	MUELLE INTERNO CABALLETE BE10000523012 (u. 1)	
20	MUELLE EXT.CABALLETE BE250510039 (u. 1)	
21	TORN.SUJ.CABALLETE EC RACING 2013 BE142203013 (u. 1)	
22	SOPORTE ESTRIBO EC 2015 BE14090GG-CEQ-1 (u. 1)	
23	RODILLO PU TRANSMISION SECUNDARIA BE05000013013 (u. 1)	
24	TORN.ESP.8X50 12.9 ZINC. T0208050 (u. 1)	OBSOLETO
25	CASQ.RODILLO CADENA PU BE14235GG-CAB-1 (u. 1)	
26	CTO.PROT.CARTER EC RACING 2014 BE11500GG-CAW-1 (u. 1)	
27	ULS 8X20 PLAT,PROT, T0508020 (u. 1)	OBSOLETO
28	TUERCA NUT ENJAULADA M-8 TRU 958 TRIAL 2 BT280010041 (u. 1)	
29	CTO.PEDAL FRENO ENDURO 2014 BE13000CT-CAB-1 (u. 1)	
30	PUNTERA PEDAL FRENO BE130102510 (u. 1)	
31	ALLEN 5x12 T0305012 (u. 1)	
32	CASQ.PEDAL DE FRENO 2012 BE15000023012 (u. 1)	
33	RETEN 15X21X2 C230001 (u. 1)	
34	SEEGER DIN 472 D19X1 SE01190100109 (u. 1)	
35	COJINETE BOLAS PEDAL FRENO RD0108019006A (u. 1)	
36	TORN.ESP.8X40 8.8 ZINC. T0208040 (u. 1)	OBSOLETO
37	ARANDELA ESTR.8X13 T4006512 (u. 1)	
38	BOLT CONICOL TORX 8X16 T0458016 (u. 1)	OBSOLETO
	ALLEN CONICO 8x16 ZIN. T0408016 (u. 1)	
39	CTO.PROT.LAT.CHASIS 2013 BE190003013CT (u. 1)	

	ABRAZADERA INSTALACION 0/000.680.0060 (u. 1)	
<b>41</b>	BRIDA UNEX 2244 16/102 4.8X36 BE25634007 (u. 1)	<b>OBSOLETO</b>
	BRIDA UNEX NYLON 2244 16/102 4.8X36 0/000.660.9104 (u. 1)	
	BRIDA NYLON 3.6x140 LATIG.EMBR. BE250022031 (u. 1)	<b>OBSOLETO</b>
<b>42</b>	ABRAZADERA INSTALACION 0/000.680.0060 (u. 1)	
	BRIDA UNEX NYLON 3.6x140 LATIG.EMBR. 0/000.680.9100 (u. 1)	
<b>43</b>	MUELLE PEDAL FRENO 2014 0/000.470.9100 (u. 1)	
	MUELLE PEDAL FRENO 2014 BE13015GG-CAB-1 (u. 1)	<b>OBSOLETO</b>
<b>44</b>	ULS 6X20 ZINC. T0506020 (u. 1)	
<b>45</b>	DIST.CUBRECADENA ENDURO 2007 BE250720106 (u. 1)	
<b>46</b>	OREJA SOP.PROT.CARTER EC 250-300 2014 BE11504GG-CAW-1 (u. 1)	

**Bastidor trasero**


SUBCHASIS DE ALUMINIO EC 2014  
BE12000CT-CAB-1 (u. 1)

**OBSOLETO**

**1** SUBFRAME ALUMINIUM EC 2016  
BE12000CT-EKF-1 (u. 1)

**OBSOLETO**

SUBCHASIS DE ACERO EC 2014 PINTADO NEGRO  
0/000.010.9104 (u. 1)

**2** EMBELLECEDOR DCH.SUBCHASIS EC RACING 201  
BE122003013 (u. 1)

**3** EMBELLECEDOR IZQ.SUBCHASIS EC RACING 201  
BE122053013 (u. 1)

**4** ULS 5X16 PRO.PIÑ.  
T0505016 (u. 1)

**OBSOLETO**

ULS 5X16 ISO 7380-1 ZINC 12.9  
0/000.460.9155 (u. 1)

**5** TORN.ESP.6X16 DIN 6921 ZINC.10.9  
0/000.460.9119 (u. 1)

TORN.ESP.6X16 10.9 ZINC.  
T0206016 (u. 1)

**OBSOLETO**

**6** ALLEN 8X35 CUBREDISCO  
T0308035 (u. 1)

**7** SOP.REGUL.RECTIFICADOR EC 2014 2T  
BE12310GG-CAB-1 (u. 1)

**8** TUERCA NUT 956 RAPIDA M-6 HRC 40/48  
0/000.340.9120 (u. 1)

TUERCA NUT 956 M-6 HRC 40/48  
T2606000 (u. 1)

**OBSOLETO**

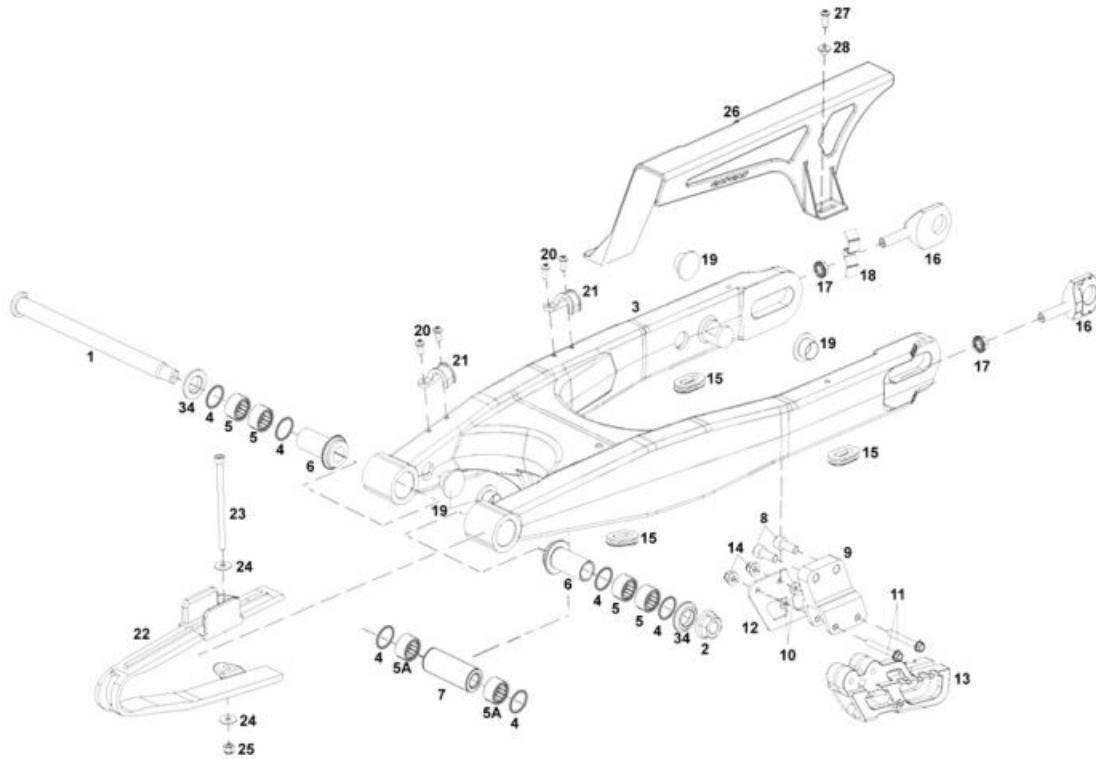
**9** TORN.ESP.6X16 10.9 ZINC.  
T0206016 (u. 1)

**OBSOLETO**

TORN.ESP.6X16 DIN 6921 ZINC.10.9  
0/000.460.9119 (u. 1)

<b>10</b>	CASQ.TAPA RAD.ALUMINIO(CEX) BE250032060 (u. 1)	
<b>11</b>	GOMA CABALLETE EC 2015 BE14205GG-CEQ-1 (u. 1)	<b>OBSOLETO</b>
	GOMA CABALLETE EC 2015 0/000.360.9100 (u. 1)	

## Horquilla trasera

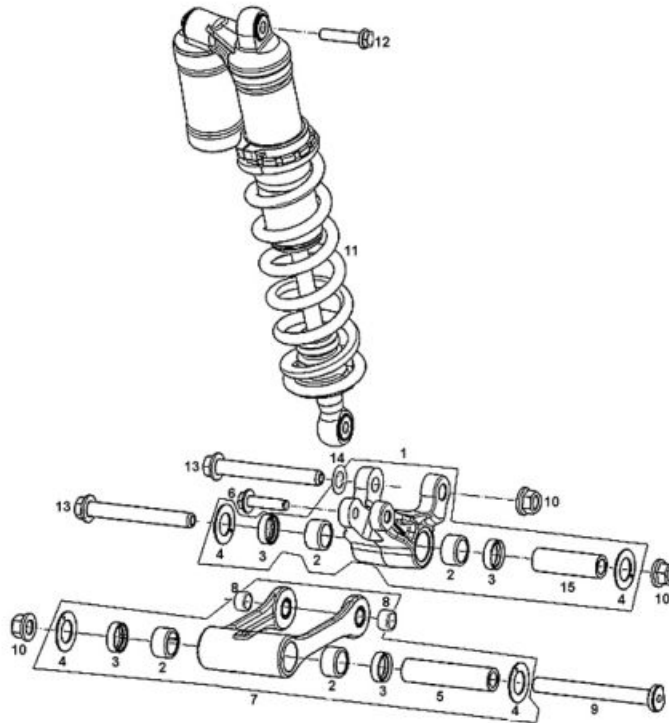


1	EJE BASCUL.EC 2014 BE44500GG-CAB-1 (u. 1)	
2	TUERCA BASC.TT 49650 0/000.340.9103 (u. 1)	
2	TUERCA BASC.TT 49650 BE25612009 (u. 1)	<b>OBSOLETO</b>
3	BASCULANTE EC-PINTADO GRIS BE40000GG-CEQ-1 (u. 1)	
4	TORICA 3.5X21 BE250510011 (u. 1)	
4	TORICA 3.5X21 BE250510011 (u. 1)	
5	JAULA AGUJAS DIAM.EXT 28 DIAM.INT.22 ANC BE25614010 (u. 1)	
5	JAULA AGUJAS DL2216 BE25614010/2 (u. 1)	
6	CASQ.BASCUL.EC 2014 BE44515GG-CAB-1 (u. 1)	
7	CASQ.14X22X57 BE25612014 (u. 1)	
7	CASQ.14X22X57 BE25612014 (u. 1)	
8	ALLEN 8X20 T0308020 (u. 1)	
9	SOP.GUIA CADENA CROSS 250-2002 BC250221018 (u. 1)	
10	ARANDELA PLANA 6X12X1.5 (DIN 125) T4006012 (u. 1)	<b>OBSOLETO</b>
10	ARANDELA PLANA 6X12X1.5 DIN 125 ZINC 0/000.440.9124 (u. 1)	



	TORN.ESP.6x40 Fil.20 GEOMET 10.9 0/000.460.9125 (u. 1)	
<b>11</b>	TORN.ESP.6x40 Fil.20 GEOMET 10.9 0/000.460.9125 (u. 1)	
	TORN.ESP.6X45 8.8 ZINC. T0206045 (u. 1)	<b>OBSOLETO</b>
<b>12</b>	PLACA REFUERZO GUIA CADENA CROSS 2004 BC250412032 (u. 1)	
<b>13</b>	GUIA CADENA ABIERTA BE420002511 (u. 1)	
<b>14</b>	TUERCA AUTOBLOC. M-6 C/ARAND DIN-6926 ZINC 0/000.340.9117 (u. 1)	
	TUERCA AUTOBLOC.DIN-6926 M-6 C/ARAND ZN T2206002 (u. 1)	<b>OBSOLETO</b>
<b>15</b>	GOMA PROT.BASCUL. BE25836005 (u. 1)	
<b>16</b>	TENSOR RUEDA 2013 BFS440004513 (u. 1)	
<b>17</b>	TUERCA CIL.8.8 ESP.10/150 C13 =ME2561603 M01613001 (u. 1)	<b>OBSOLETO</b>
	TUERCA DIN 6923 ZINC 8.8 ESP.10/150 C13 0/000.340.9105 (u. 1)	
<b>18</b>	MUELLE TENSOR RUEDA TRASERA BE44010GG-CAB-1 (u. 1)	
<b>19</b>	TAP.BASCUL.REF.12980 BE250436001 (u. 1)	
<b>20</b>	ULS 5X12 T0505012 (u. 1)	<b>OBSOLETO</b>
<b>21</b>	SUJ.LATIG.SOBRE BASC. 0/000.630.9101 (u. 1)	
	SUJ.LATIG.SOBRE BASC. BE25612006 (u. 1)	<b>OBSOLETO</b>
<b>22</b>	PATIN CADENA EC-FSR 2008 BE420502508 (u. 1)	
<b>23</b>	ALLEN 6 X 100 12.9 T03060100 (u. 1)	
<b>24</b>	ARANDELA 6X18X1.5 (DIN 9021) T4006018 (u. 1)	<b>OBSOLETO</b>
	ARANDELA 6X18X1.5 DIN 9021 ZINC 0/000.440.9126 (u. 1)	
<b>25</b>	TUERCA AUTOBL.M-6 ALTA(CEX) T2106002 (u. 1)	<b>OBSOLETO</b>
<b>26</b>	PROT.CADENA ENDURO 2003 BE250328011 (u. 1)	
<b>27</b>	TORNILLO ULS 6X16 ISO 7380-1 ZINC 12.9 T0506016 (u. 1)	
<b>28</b>	DIST.CUBRECADENA ENDURO 2007 BE250720106 (u. 1)	
<b>34</b>	ENBELLECEDOR CASQ.BASCUL.EC 2014 BE44510GG-CAB-1 (u. 1)	

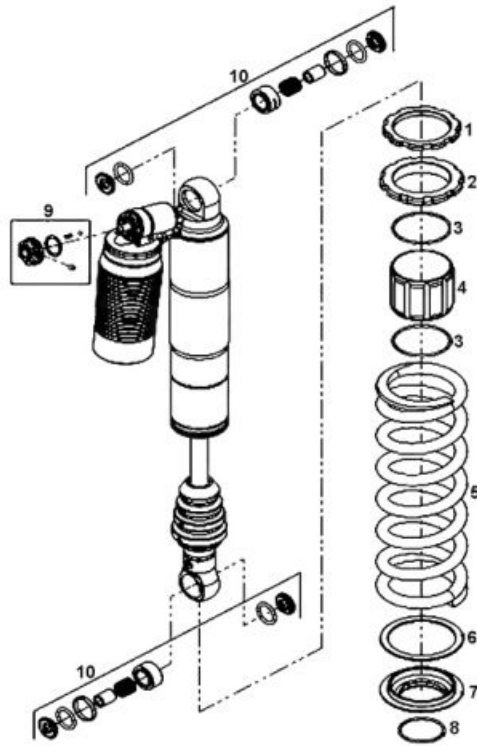
## Amortiguador trasero



1	CTO.BALANCIN BE32000NCT3011 (u. 1)	
2	JAULA AGUJAS DIAM.EXT 28 DIAM.INT.22 ANC BE25614010 (u. 1)	
3	RETEN DIAM.28X22X8 BE32025N3011 (u. 1)	
4	ARANDELAIGLIDUR G (REF.GTM-2238-015) T4003822 (u. 1)	
5	CASQ.BIELETA BF30000024512 (u. 1)	
6	TORN.ESPE M10X40X1.25 FL.14 ZIN.BL. T0110042 (u. 1)	OBSOLETO
7	CTO.BIELETA BF30000014512CT (u. 1)	
8	CASQ.BIELETA TT BE25642002 (u. 1)	
9	EJE BIELETA BF30000034512 (u. 1)	
10	TUERCA BASC.TT 49650 BE25612009 (u. 1) TUERCA BASC.TT 49650 0/000.340.9103 (u. 1)	OBSOLETO
11	AMORT.REIGER EC 200 250 300 2t 2014 ROJO BE30000GG-CAW-1 (u. 1)	
12	HEXAG.+ARANDELA 10X45 PAS 125 DACROMET T0210045 (u. 1)	OBSOLETO
13	TORN.ESP.14X110 1.50 FIL.25 12.9 MEC.INT T0214110R (u. 1)	OBSOLETO
14	ARANDELA 15X25X2.5 (DIN 433) T4015025 (u. 1)	OBSOLETO

<b>15</b>	CASQ.COJINETE BIELETAS BE32020N3011 (u. 1)
-----------	---

## Guía muelle



**1** SPRING SEAT LOCK RING (RACING)  
460.5.15.124 (u. 1)

**2** SPRING SEAT (RACING)  
460.5.15.125 (u. 1)

**3** LOCK RING  
9.47.80.2.00 (u. 1)

**4** GUIDE BUSH  
460.5.60.38 (u. 1)

MUELLE REIGER 40-280  
RRS59146 (u. 1)

MUELLE REIGER 64-280  
RRS5982 (u. 1)

MUELLE REIGER 54-280  
RRS5949 (u. 1)

MUELLE REIGER 58-280  
RRS5976 (u. 1)

**5** MUELLE REIGER 44-280  
RRS5971 (u. 1)

MUELLE REIGER 50-280  
RRS5922 (u. 1)

MUELLE REIGER 56-280  
RRS5963 (u. 1)

MUELLE REIGER 42-280  
RRS5980 (u. 1)

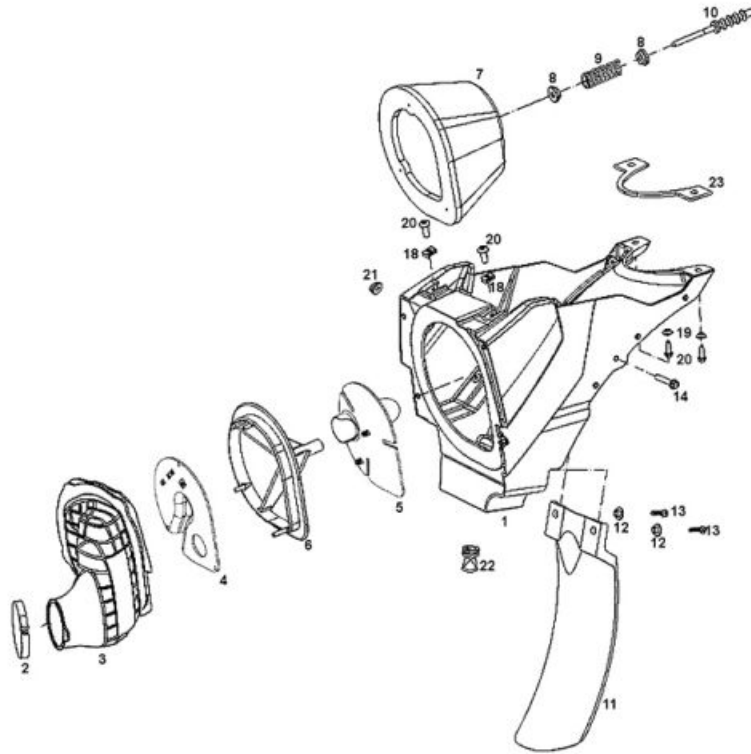
MUELLE REIGER 60-280  
RRS59339 (u. 1)

MUELLE REIGER 52-280  
RRS5946 (u. 1)

**6** SPRING SLIDE PLATE  
460.5.15.127 (u. 1)

<b>7</b>	<b>LOWER SPRING SEAT (RACING)</b> 460.5.15.126 (u. 1)
<b>8</b>	<b>RETAINING RING</b> 9.36.50.2.00 (u. 1)
<b>9</b>	<b>COMPRESSION ADJUSTER KNOB SET</b> 234.3.09.23.A (u. 1)
<b>10</b>	<b>BEARING REPAIR SET</b> 460.5.07.93.A (u. 1)

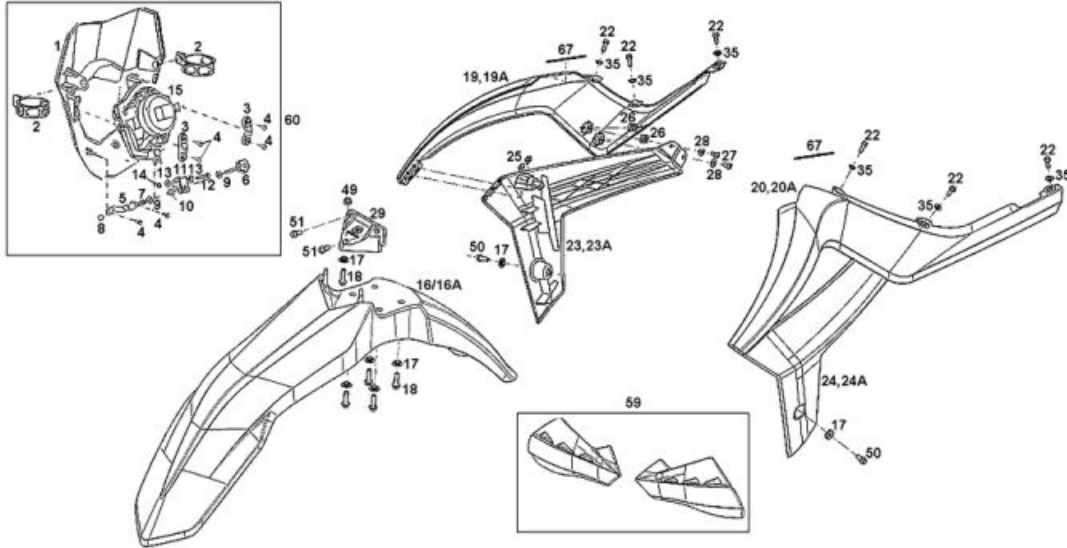
## Admision



1	C.FILTRO.ENDURO EC 2T 2014 BE79000CT-CAB-1 (u. 1)	
2	ABRAZ.50-70/9 W2 FILTRO AIRE/CARB. INOX FE 0/000.680.9101 (u. 1)	
3	ABRAZ.50-70/9 W2 FILTRO AIRE/CARB. BE250328033 (u. 1)	<b>OBSOLETO</b>
4	GOMA TUBERA C.FILTRO. BE250128017/2 (u. 1)	
5	RESTRICCION FILTRO AIRE DEL.EC 2008 BE798002508 (u. 1)	
6	RESTRICCION FILTRO AIRE TRAS.EC 2008 BE798052508 (u. 1)	
7	ARAÑA FILTRO EC 2T 2007 BE250628002 (u. 1)	
8	FILTRO AIRE EC-2007 2T OEM158046X BE250728000 (u. 1)	
9	ARAND.NYLON TOPE MUELLE C.FILTRO.EC-2007 0/000.440.9100 (u. 1)	
	ARAND.NYLON TOPE MUELLE C.FILTRO.EC-2007 BE250728052 (u. 1)	<b>OBSOLETO</b>
	MUELLE VARILLA C.FILTRO.EC-2007 BE250728051 (u. 1)	<b>OBSOLETO</b>
	MUELLE VARILLA C.FILTRO.EC-2007 0/000.470.9105 (u. 1)	
10	VARILLA SOP.FILTRO DE AIRE MF25000032512 (u. 1)	<b>OBSOLETO</b>
	VARILLA FILTRO AIRE EC-2007 BE250728003 (u. 1)	
	VARILLA SOP.FILTRO DE AIRE 0/000.980.9117 (u. 1)	

11	PROT.AMORT.EC 2018 BE79555GG-CLJ-1 (u. 1)	OBSOLETO
	PROT.AMORT.EC 2018 0/000.220.9117 (u. 1)	
12	CASQ.PROT.AMORT.EC-2007 BE250728059 (u. 1)	
13	TORN.ROSCA PLASTICO 4,5X20 RF77R EC-2007 BE250728058 (u. 1)	OBSOLETO
14	TORN.ESP.6x20 DIN 6921 GEOMET 10.9 0/000.460.9120 (u. 1)	OBSOLETO
	TORN.ESP.6x20 10.9 ZINC.(CEX) T0206020 (u. 1)	
18	TUERCA NUT TRT M5 GEOMET T810599990001 (u. 1)	
19	CASQ.FIJ.PLASTICOS T90052080004M (u. 1)	
20	ULS 5X16 ISO 7380-1 ZINC 12.9 0/000.460.9155 (u. 1)	OBSOLETO
	ULS 5X16 PRO.PIÑ. T0505016 (u. 1)	
21	CASQ.TAPA RAD.ALUMINIO(CEX) BE250032060 (u. 1)	
22	VALV.GAA0046 VACIADOR C.FILTRO.TRIAL 200 BT280228032 (u. 1)	
23	JUNTA ADH.CAJA FILTRO -PORTAMATRICULAS BE79045GG-EKF-1 (u. 1)	

**Carrocería delantera**



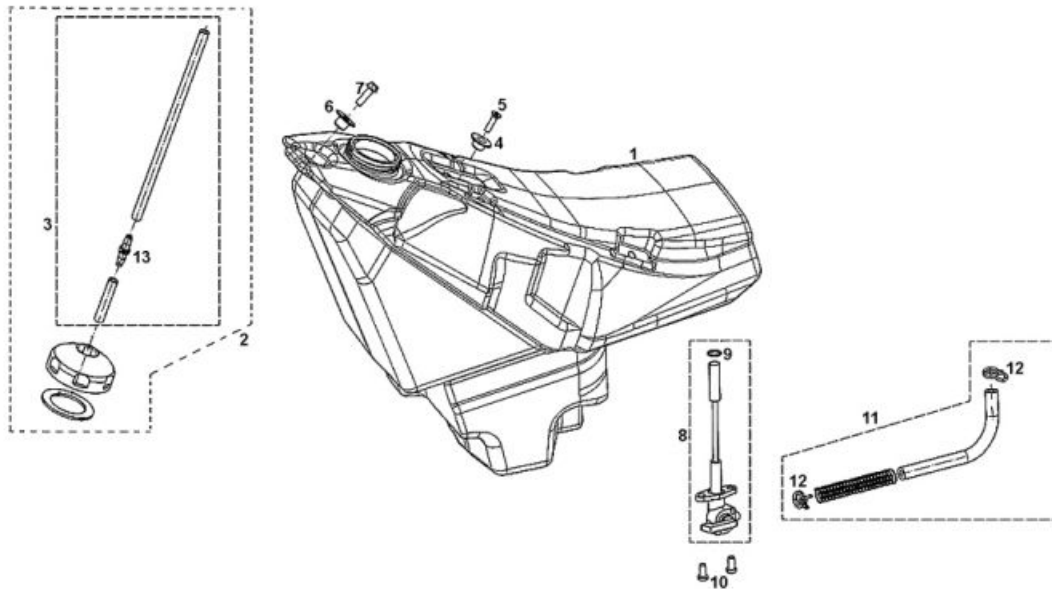
1	PORTAFAROS DEL.EC-2013 ROJO BE90000103013 (u. 1)	
2	GOMA SUJETA FARO D.38 PP HP2070291G 0/000.360.9102 (u. 1)	
2	GOMA SUJETA FARO D.38 PP HP2070291G BE25636015 (u. 1)	<b>OBSOLETO</b>
3	SOP.FARO BL. 0/000.980.9104 (u. 1)	
3	SOP.FARO BL. BE905102511 (u. 1)	<b>OBSOLETO</b>
4	TORN.ESP.PLASTICO 4X12 CELO RF87T VERZINKT 0/000.460.9160 (u. 1)	
4	TORN.ESP.PLASTICO 4X12 CELO RF87T ZINC. T0804012 (u. 1)	<b>OBSOLETO</b>
5	CHAPA REGUL.FARO 0/000.980.9103 (u. 1)	
5	CHAPA REGUL.FARO BE90000033012 (u. 1)	<b>OBSOLETO</b>
6	TORN.REGUL.FARO ELESA B.193/18 P M5X40 0/000.460.9106 (u. 1)	
6	TORN.REGUL.FARO ELESA B.193/18 P M5X40 BE35000013012 (u. 1)	<b>OBSOLETO</b>
7	MUELLE TORN.REG.OPTICA 0/000.470.9107 (u. 1)	
7	MUELLE TORN.REG.OPTICA BX250020026 (u. 1)	<b>OBSOLETO</b>
8	TUERCA AUTOBL.DIN-985 M-5 ZN BAJA T2105000 (u. 1)	<b>OBSOLETO</b>
8	TUERCA AUTOBL. M-5 BAJA DIN-985 ZINC 8 0/000.340.9112 (u. 1)	<b>OBSOLETO</b>



9	ARANDELA 5X12X1.5 T4005012 (u. 1)	OBSOLETO
	ARANDELA 5X12X1.5 DIN 125A ZINC 0/000.440.9121 (u. 1)	
10	CASQ.ALUMINIO ø5.5X10X6 T90055100006M (u. 1)	OBSOLETO
	CASQ.ALUMINIO ø5.5X10X6 0/000.480.9128 (u. 1)	
11	REFUERZO LENGUETA FARO EC 2012 0/000.980.9106 (u. 1)	OBSOLETO
	REFUERZO LENGUETA FARO EC 2012 EE20000013012 (u. 1)	
12	ALLEN 4X25 ZINC.DIN 912 T0304025 (u. 1)	OBSOLETO
	ALLEN 4X25 DIN 912 ZINC 0/000.460.9144 (u. 1)	
13	ARANDELA PLANA 4X12X1 DIN 9021 ZN AG CR3 0/000.440.9119 (u. 1)	OBSOLETO
	ARANDELA PLANA 4X12X1 (DIN 9021) T4004012 (u. 1)	
14	TUERCA AUTOBL.M-4 (DIN 985) T2104000 (u. 1)	OBSOLETO
	TUERCA AUTOBL.M-4 DIN 985 ZINC 8 0/000.340.9111 (u. 1)	
15	OTTICA FANALE COMPLETA 0/000.600.0260 (u. 1)	OBSOLETO
	OPTICA FARO DEL.EC 2011 6000270 EE200002511 (u. 1)	
16	CTO.GUARDABARROS DEL.EC RACING 2016 BE91000CT-EKF-1 (u. 1)	OBSOLETO
	GUARDAB.DEL.ROJO ( 8581300007) BE90000143012 (u. 1)	
17	CASQ.TAPA RAD.ALUMINIO(CEX) BE250032060 (u. 1)	OBSOLETO
18	TORN.ESP.6x20 10.9 ZINC.(CEX) T0206020 (u. 1)	OBSOLETO
	TORN.ESP.6x20 DIN 6921 GEOMET 10.9 0/000.460.9120 (u. 1)	
19	TAPA LAT.RAD.SUP.DCH.ROJA (8415300012) BE915063013 (u. 1)	OBSOLETO
	CTO.TAPA RAD.SUP.DER.EC RACING 2016 ROJA BE91500CT-EKF-1 (u. 1)	
20	CTO.TAPA RAD.SUP.IZQ.EC RACING 16 ROJA BE92005CT-EKF-1 (u. 1)	OBSOLETO
	TAPA LAT.RAD.SUP.IZQ.ROJA (8415300013) BE920063013 (u. 1)	
22	ULS 5X16 ISO 7380-1 ZINC 12.9 0/000.460.9155 (u. 1)	OBSOLETO
	ULS 5X16 PRO.PIÑ. T0505016 (u. 1)	
23	TAPA LAT.RAD.INF.DER.RACING 2015 NEGRA BE91510GG-CEQ-1 (u. 1)	OBSOLETO
	CTO.TAPA RAD.INF.DER.EC RACING 16 NEGRA BE91510CT-EKF-1 (u. 1)	

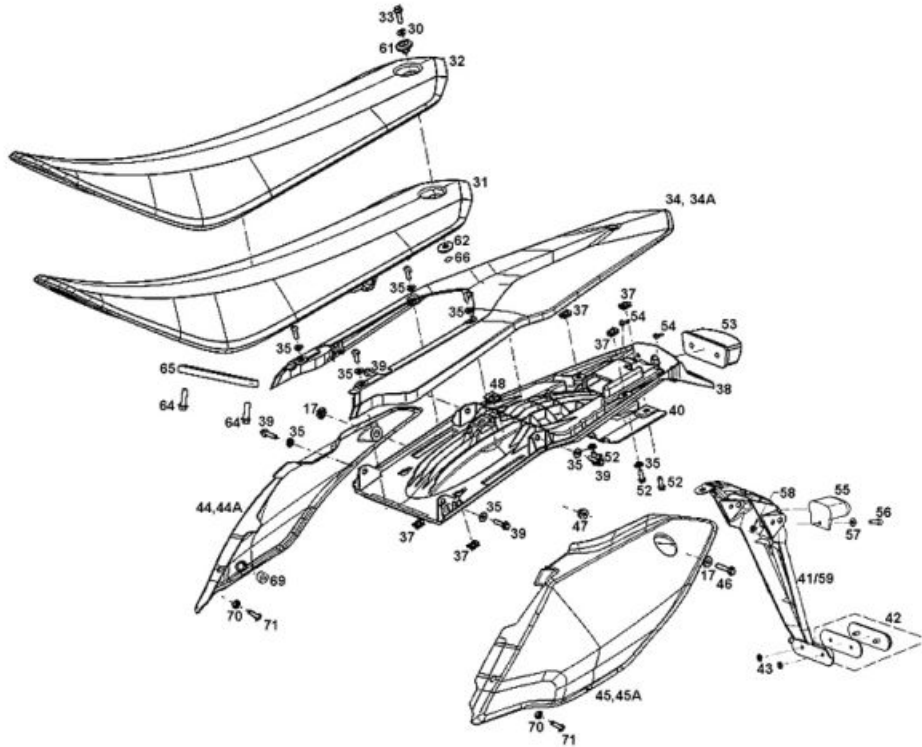
24	TAPA RADIADOR INF.IZQ.2015 NEGRA BE92010GG-CEQ-1 (u. 1)	
	CTO.TAPA RAD.INF.IZQ.EC RACING 16 NEGRA BE92010CT-EKF-1 (u. 1)	
25	GRAPA FIJ.TAPAS LAT.ES INF.YSUP.EC2012 BE35000083012 (u. 1)	
26	GRAPA REG.FARO GRANADA 02130035 BX250020029 (u. 1)	OBSOLETO
27	TORN.CHAPA PHILIPS 4.8x13 0134 04813 T0606013 (u. 1)	
28	ARANDELA 5X12X1.5 T4005012 (u. 1)	OBSOLETO
	ARANDELA 5X12X1.5 DIN 125A ZINC 0/000.440.9121 (u. 1)	
29	TIRANTE GUARDAB.DEL.2012 BE90000463012 (u. 1)	
35	CASQ.FIJ.PLASTICOS T90052080004M (u. 1)	
49	TUERCA AUTOBL.BAJA M-6 DIN 985 ZN CR3 6 0/000.340.9113 (u. 1)	
	TUERCA AUTOBL.BAJA M-6 (DIN 985) T2106001 (u. 1)	OBSOLETO
50	TORN.ESP.6X16 10.9 ZINC. T0206016 (u. 1)	OBSOLETO
	TORN.ESP.6X16 DIN 6921 ZINC.10.9 0/000.460.9119 (u. 1)	
51	EXAG.6x14+ARANDELA INCORP. T0206014 (u. 1)	OBSOLETO
	EXAG+ARANDELA 6x14 DIN 6921 0/000.460.9118 (u. 1)	
59	CTO.PARAMANOS 2T ROJO CON TORNILLERIA BE94500CT-EKF-1 (u. 1)	
60	CTO.PORTAFAROS DEL RACING EC-2016 ROJO BE90500CT-EKF-1 (u. 1)	OBSOLETO
67	TIRA RECTA GOMA ADHESIVA 1 CARA BE10000553012 (u. 1)	OBSOLETO

## Deposito gasolina



1	DEP.GASOL.EC-2013 BE760003013 (u. 1)	
2	CTO.TAP.GASOLINA+TUBO EC 2014 BE76010CT-CAB-1 (u. 1)	
3	CTO.TUBO DESVAP.GASOLINA 26cm BT280310018 (u. 1)	<b>OBSOLETO</b>
	CTO.TUBO DESVAP.GASOLINA 26cm 0/000.290.9115 (u. 1)	
4	CASQ.TORN.DEP. BE761053013 (u. 1)	
5	ALLEN+5X20 ESTRIBO TRAS.PP. T0405020 (u. 1)	
6	CASQ.DEP.GASOL.ENDURO 2012 BE75000023012 (u. 1)	
7	TORN.ESP.6X25(10.9) VALONA 11MM T0206025 (u. 1)	<b>OBSOLETO</b>
	TORN.ESP.6X25 DIN 6921 GEOMET 10.9 VALONA 11MM 0/000.460.9121 (u. 1)	
8	GRIFO EC 200/250/300 2T 2013 BE760203013 (u. 1)	
9	TORICA GRIFO GASOLINA 10X2.5 B740120 (u. 1)	
10	ULS 6X12 T0506012 (u. 1)	<b>OBSOLETO</b>
11	TUBO GASOLINA EC STANDARD 200/250/300 20 BE780053013 (u. 1)	
12	ABRAZ.MOLLA M-11.6-12.3 ZINC CR3 0/000.680.9102 (u. 1)	
	ABRAZ.MOLLA M-11.6-12.3 ROSA 02016098 BE25610044 (u. 1)	<b>OBSOLETO</b>

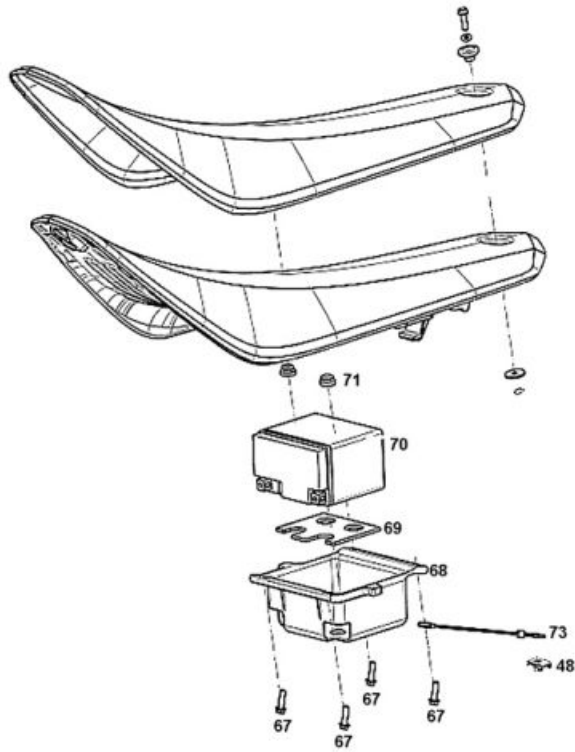
<b>13</b>	VALV.DESVAPO.DEP. BT27836025 (u. 1)
-----------	--

**Carrocería trasera**


17	CASQ.TAPA RAD.ALUMINIO(CEX) BE250032060 (u. 1)	
30	TORICA DIAM.4.87 X 1.8 NBR 70 BE94040GG-CAB-1 (u. 1)	
31	SILLIN EC 2015 BE94000GG-CEQ-1 (u. 1)	
32	funda sillin ec 2015 BE94025GG-CEQ-1 (u. 1)	
33	TORN.ESP.6X25 DIN 6921 GEOMET 10.9 VALONA 11MM 0/000.460.9121 (u. 1)	
	TORN.ESP.6X25(10.9) VALONA 11MM T0206025 (u. 1)	<b>OBSOLETO</b>
34	CTO.GUARD.TRASERO RACING 2016 ROJO BE93500CT-EKF-1 (u. 1)	
	GUARDAB.TRAS.ROJO EC 2013 BE90000183013 (u. 1)	
35	CASQ.FIJ.PLASTICOS T90052080004M (u. 1)	
37	TUERCA NUT TRT M5 GEOMET T810599990001 (u. 1)	
38	SOP.PORTAMATRICULA 2013 BE90000083013 (u. 1)	
39	ALLEN 5X25 DIN 912 DRACOMET 8.8 0/000.460.9146 (u. 1)	
	ALLEN 5X25 8.8 DRACOMET T0305025 (u. 1)	<b>OBSOLETO</b>
40	TAPA DE CONECTORES BE90000153012 (u. 1)	
41	PORTAMATRICULAS EC-2012 BE90000123012 (u. 1)	

42	CATADIOPTRICO 700R ENDURO 2007 0/000.630.9103 (u. 1)	
	CATADIOPTRICO 700R ENDURO 2007 BQ300234125/2 (u. 1)	OBSOLETO
43	GRAPA 02110396 SRRM-5 CATADRIOPTICO 0/000.440.9102 (u. 1)	
	GRAPA 02110396 SRRM-5 CATADRIOPTICO BQ300234126 (u. 1)	OBSOLETO
44	PORTANUMERO DCH.NG.EC 2014 BE92500GG-CAW-1 (u. 1)	
	CTO.PORTANUMEROS DER. RACING 2015 NEGRO BE92500CT-EKF-1 (u. 1)	
	KIT PLACAS PORTANUMEROS NEGRAS EC 2012-2013 BE93000CT-BSI-1 (u. 1)	
45	KIT PLACAS PORTANUMEROS NEGRAS EC 2012-2013 BE93000CT-BSI-1 (u. 1)	
	CTO.PORTANUMERO IZQ.RACING 2016 NEGRO BE93000CT-EKF-1 (u. 1)	
	PORTANUMERO IZQ.NG.EC 2014 BE93000GG-CAW-1 (u. 1)	OBSOLETO
46	TORN.ESP.6x20 10.9 ZINC.(CEX) T0206020 (u. 1)	OBSOLETO
	TORN.ESP.6x20 DIN 6921 GEOMET 10.9 0/000.460.9120 (u. 1)	
47	TUERCA AUTOBLOC. M-6 C/ARAND DIN-6926 ZINC 0/000.340.9117 (u. 1)	
	TUERCA AUTOBLOC.DIN-6926 M-6 C/ARAND ZN T2206002 (u. 1)	OBSOLETO
48	TUERCA NUT 956 M-6 HRC 40/48 T2606000 (u. 1)	OBSOLETO
	TUERCA NUT 956 RAPIDA M-6 HRc 40/48 0/000.340.9120 (u. 1)	
52	TORN.ESP.+ARAND.5x15 DIN 6921 GEOMET 10.9 0/000.460.9115 (u. 1)	
	TORN.ESP.+ARAND.5x15 ZI T0205015 (u. 1)	OBSOLETO
53	LUZ PILOTO TRAS.9149 BE250734015 (u. 1)	
54	TORN.ESP.PLASTICO 4X12 CELO RF87T ZINC. T0804012 (u. 1)	OBSOLETO
	TORN.ESP.PLASTICO 4X12 CELO RF87T VERZINKT 0/000.460.9160 (u. 1)	
55	LUZ MATRICULA 807 EC-2007 BE250734124 (u. 1)	
56	ALLEN 5x16 DRACOMET T0305016 (u. 1)	
57	ARANDELA 5X12X1.5 T4005012 (u. 1)	OBSOLETO
	ARANDELA 5X12X1.5 DIN 125A ZINC 0/000.440.9121 (u. 1)	
58	TUERCA AUTOBL.M-5 ALTA T2105001 (u. 1)	
59	CTO.PORTAMATRICULAS EC-2012 HOMOL. BE90000123012CT (u. 1)	
61	CASQ.ASIENTO EC-2014 BE94030GG-CAB-1 (u. 1)	

62	ARANDELA REGLAJE 10.5X26X0.5 T4001026 (u. 1)	
64	TORN.ESP.6x20 10.9 ZINC.(CEX) T0206020 (u. 1)	OBSOLETO
	TORN.ESP.6x20 DIN 6921 GEOMET 10.9 0/000.460.9120 (u. 1)	
65	PUENTE B.ASIENTO.EC RACING 2013 BE940203013 (u. 1)	
66	ANILLO ELAST.PARA EJE DE 9 DIN 6799 INOX BE94035GG-CAB-1 (u. 1)	
69	GOMA PLACA PORTAN-SILENC.FP13184 EC-2010 BFS925504510 (u. 1)	
70	CASQ.PLACA PORTANUMS.INF. BE320603013 (u. 1)	
71	ULS M5X20 NG. T0505020 (u. 1)	

**Montaje carrocería plásticos E-Start**


<b>48</b>	TUERCA NUT 956 M-6 HRC 40/48 T2606000 (u. 1)	<b>OBSOLETO</b>
	TUERCA NUT 956 RAPIDA M-6 HRC 40/48 0/000.340.9120 (u. 1)	
<b>67</b>	TORN.ESP.6x20 10.9 ZINC.(CEX) T0206020 (u. 1)	<b>OBSOLETO</b>
	TORN.ESP.6x20 DIN 6921 GEOMET 10.9 0/000.460.9120 (u. 1)	
<b>68</b>	SEMICAJA INF.BATERIA 2016(8438500005) BE41000GG-EKK-1 (u. 1)	
<b>69</b>	GOMA CAJA BATERIA (CEX) BE10000093013 (u. 1)	
<b>70</b>	BATERIA FTZ7S-SIAM -FURUKAWA EC400-4T(CE) BFS400134080/3 (u. 1)	
<b>73</b>	CABLE SUJ.SILLIN 2013 E BE10000033013 (u. 1)	

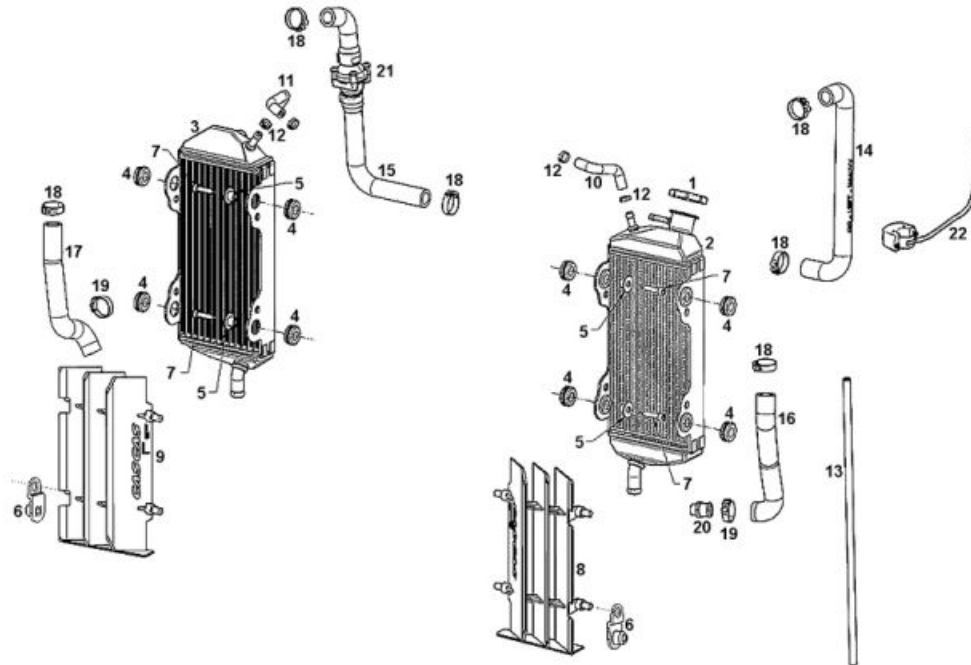


**Adhesivos**



1	KIT ADH.EC RACING 2016 BE95000CT-EKF-1 (u. 1)	
2	ADH.CILINDRADA EC 300 2016 BE95135GG-EKF-1 (u. 1) - 300cc	
3	CTO.ADH.PROTEC.HORQUILLA EC RACING 2016 BE95010CT-EKF-1 (u. 1)	
4	CTO.ADHESIVOS BASCULANTE EC RACING 2016 BE95145CT-EKF-1 (u. 1)	
5	KIT ADH.PARAMANO EC RACING 2016 BE95025CT-EKF-1 (u. 1)	
6	ADH.FARO EC RACING 2016 BE95020GG-EKF-1 (u. 1)	<b>OBSOLETO</b>
7	ADH.EMBELLECEDOR CHASIS DER.EC RACING 16 BE95090GG-EKF-1 (u. 1)	
8	ADH.EMBELLECEDOR CHASIS IZQ.EC RACING 16 BE95095GG-EKF-1 (u. 1)	

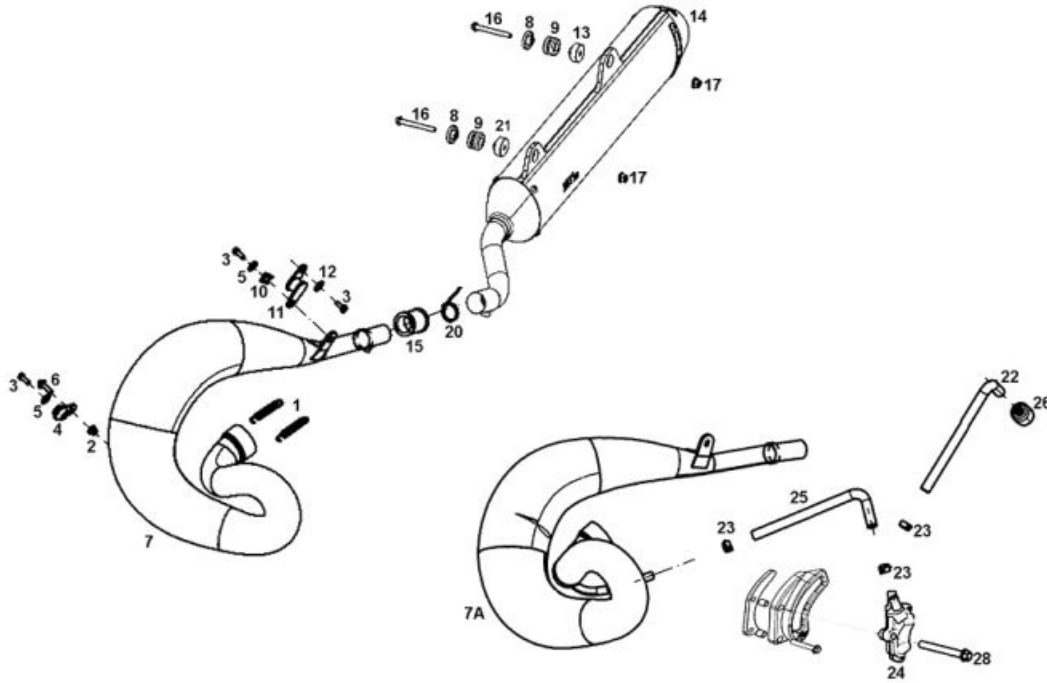
## Radiador



1	TAPON RADIADOR 1.8 (214T2618) BFS701504509 (u. 1)	
2	RAD.IZQ.EC-250-2014 2T(213.119) BE700503013 (u. 1)	
3	RAD.DCH.EC-2014 2T(213.120) BE700003013 (u. 1)	
4	GOMA TOPE RAD.49100025 BIE500132031 (u. 1)	
5	CASQ.INF.SUJ.RAD. BE25832040 (u. 1)	
6	PLASTICO LAT.RAD. BE25632015 (u. 1)	
7	TORN.ESP.6x20 10.9 ZINC.(CEX) T0206020 (u. 1)	<b>OBSOLETO</b>
	ALLEN 6X20 12.9 T0306020 (u. 1)	
	TORN.ESP.6x20 DIN 6921 GEOMET 10.9 0/000.460.9120 (u. 1)	
8	REJILLA RADIADOR IZQUIERDA (R) BE250720002 (u. 1)	
9	REJILLA RADIADOR DERECHA (L) BE250720001 (u. 1)	
10	TUBO RAD.IZQ. BE70000023012 (u. 1)	
11	TUBO RAD.DCH. BE70000013012 (u. 1)	
12	ABRAZ.COBRA 12/8 W4 CONDUCTO ACEITE MFS400110031 (u. 1)	

13	TUBO SOBRANTE RAD.5X8 - 39cm.- TT-96 0/000.290.9117 (u. 1)	
	TUBO SOBRANTE RAD.5X8 - 39cm.- TT-96 BE25632009 (u. 1)	<b>OBSOLETO</b>
14	TUBO RAD.SUP.IZQ.EC-2007 2T BE250732002 (u. 1)	
15	CTO.TUBO TERMOSTATO 250/300 2011 BE710102511 (u. 1)	
16	TUBO RAD.INF.IZQ.EC 300 2014 BE71085GG-CAB-1 (u. 1)	
17	TUBO RAD.INF.DCH.EC 300 2014 BE71080GG-CAB-1 (u. 1)	<b>OBSOLETO</b>
	TUBO RAD.INF.DCH.EC 300 2014 0/000.290.9104 (u. 1)	
18	ABRAZ.COBRA DE 22 L200038 (u. 1)	
19	ABRAZ.COBRA DE 20 L200035 (u. 1)	
20	RACORD ENTRADA AGUA 0/000.480.9123 (u. 1)	
	RACORD ENTRADA AGUA ME57015GG-CAB-1 (u. 1)	<b>OBSOLETO</b>
21	CUERPO TERMOSTATO SM BE250432070 (u. 1)	
22	INTERRUPTOR CDI TRIAL PRO 2010 ET511902810 (u. 1)	

## Descarga



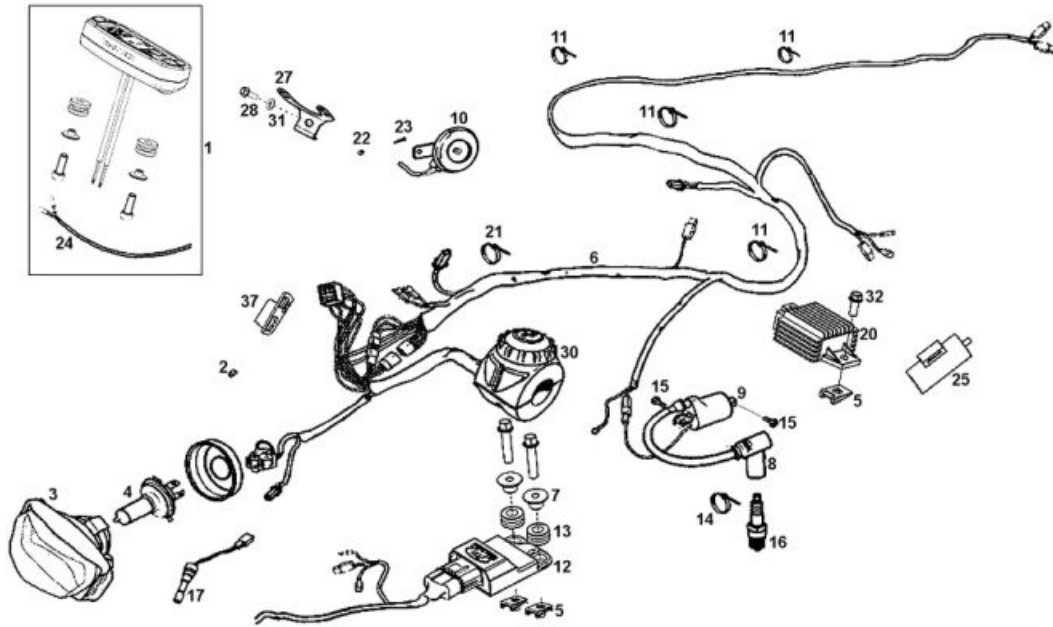
1	MUELLE ESCAPE EC 0/000.470.9106 (u. 1)	
	MUELLE ESCAPE EC BE86050GG-EKF-1 (u. 1)	<b>OBSOLETO</b>
2	TUERCA AUTOBLOC.DIN-6926 M-6 C/ARAND ZN T2206002 (u. 1)	<b>OBSOLETO</b>
	TUERCA AUTOBLOC. M-6 C/ARAND DIN-6926 ZINC 0/000.340.9117 (u. 1)	
3	TORN.ESP.6X16 10.9 ZINC. T0206016 (u. 1)	<b>OBSOLETO</b>
	TORN.ESP.6X16 DIN 6921 ZINC.10.9 0/000.460.9119 (u. 1)	
4	SILENBLOC ESCAPE CROSS 50CC BIC050526004 (u. 1)	
5	ARANDELA 6X18X1.5 DIN 9021 ZINC 0/000.440.9126 (u. 1)	
	ARANDELA 6X18X1.5 (DIN 9021) T4006018 (u. 1)	<b>OBSOLETO</b>
6	TORN.ESP.M6x25 FIL.20 ROND.D.15 8.8 ZINC T0606025 (u. 1)	<b>OBSOLETO</b>
	TORN.ESP.M6x20 FIL.20 ROND.D.15 8.8 ZINC T0606020 (u. 1)	<b>OBSOLETO</b>
7	TUBO ESCAPE HOMOLOGADO EC-2014 BE85000GG-CAB-2 (u. 1)	<b>OBSOLETO</b>
	CTO.TUBO ESCAPE EC RF 2014 BE85000CT-CBX-1 (u. 1) - 250cc / 300cc	
8	CASQ.SILENBLOCK 25X4 BE873013013 (u. 1)	
9	SILENBLOCK SILENCIADOR EC-2000 BE250026005 (u. 1)	

10	TUERCA NUT 956 M-6 HRC 40/48 T2606000 (u. 1)	OBSOLETO
	TUERCA NUT 956 RAPIDA M-6 HRC 40/48 0/000.340.9120 (u. 1)	
11	SILENBLOC ESCAPE 10942 BE25626004 (u. 1)	
12	ARANDELA PLANA 6.5X16X1.5 T4006016 (u. 1)	OBSOLETO
	ARANDELA PLANA 6.5X16X1.5 DIN 125 ZINC 0/000.440.9125 (u. 1)	
13	CASQ.SILENBLOCK 25X9.5 BE873023013 (u. 1)	
14	SILENCIOSO FMF 200 V2 BE87000GG-CBV-2 (u. 1)	
15	JUNTA ESCAPE 250 SILIC.5916 0/000.490.9103 (u. 1)	OBSOLETO
	JUNTA ESCAPE 250 SILIC.5916 BE25626003 (u. 1)	
16	TORN.ESP.6X55 8.8 DRACOMET T0206055 (u. 1)	OBSOLETO
	TORN.ESP.6X55 DIN 6921 DRACOMET 8.8 0/000.460.9127 (u. 1)	
17	TUERCA AUTOBLOC.DIN-6926 M-6 C/ARAND ZN T2206002 (u. 1)	OBSOLETO
	TUERCA AUTOBLOC. M-6 C/ARAND DIN-6926 ZINC 0/000.340.9117 (u. 1)	
20	BRIDA UNEX NYLON 2244 4.8X20 0/000.660.9105 (u. 1)	OBSOLETO
	ABRAZADERA INSTALACION 0/000.680.0060 (u. 1)	
	BRIDA UNEX 2244 4.8X20 BE25634009 (u. 1)	
21	CASQUILLO ESPACIADOR 25X16 BE873003013 (u. 1)	
22	TUBO AIRE SECUNDARIO LARGO EC-2009 BE785551209 (u. 1)	OBSOLETO
	TORN.ESP.6x60 Fil.20 10.9 T0206060 (u. 1)	OBSOLETO
	TUBO AIRE SECUNDARIO LARGO EC-2009 0/000.290.9111 (u. 1)	
	TORN.ESP.6x60 Fil.20 DELTA PROTEK 10.9 0/000.460.9128 (u. 1)	
23	ABRAZ.COBRA 15 (COBRA 15/8 W4) L200053 (u. 1)	OBSOLETO
	ABRAZ.COBRA D.15/8 W4 INOX A2 0/000.680.9106 (u. 1)	
24	VALV.AIRE SECUNDARIO EC-2009 RV-1-037 0/000.640.9100 (u. 1)	OBSOLETO
	VALV.AIRE SECUNDARIO EC-2009 RV-1-037 BE785652509 (u. 1)	
25	TUBO AIRE SECUNDARIO CORTO EC-2009 BE785502509 (u. 1)	OBSOLETO
	TUBO AIRE SECUNDARIO CORTO EC-2009 0/000.290.9110 (u. 1)	
26	FILTRO AIRE SECUNDARIO TRIAL PRO 2006 CE BT280626059 (u. 1)	

<b>28</b>	TORN.ESP.6x60 Fil.20 DELTA PROTEK 10.9 0/000.460.9128 (u. 1)
	TORN.ESP.6x60 Fil.20 10.9 T0206060 (u. 1)

**OBSOLETO**

**Conjunto de cables**



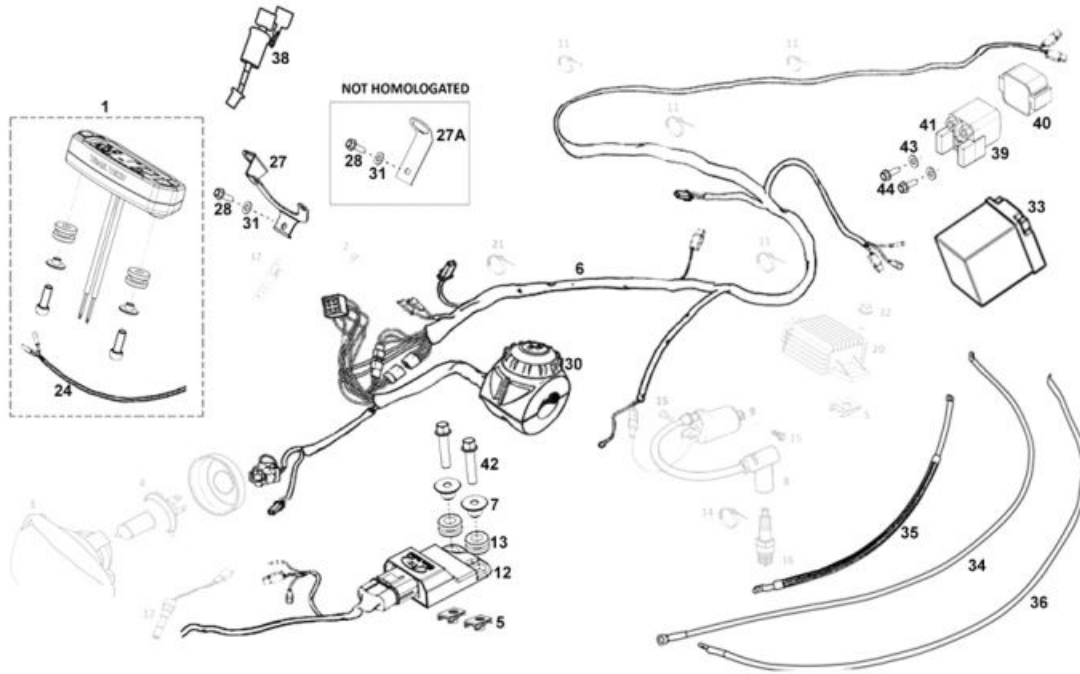
1	MULTIFUNCION EC 2014 EE60000GG-CAB-1 (u. 1)	
2	GRAPA SUJ.CABLE CT.KM.2008 0/000.630.9104 (u. 1)	
2	GRAPA SUJ.CABLE CT.KM.2008 EE650202508 (u. 1)	<b>OBSOLETO</b>
3	OTTICA FANALE COMPLETA 0/000.600.0260 (u. 1)	
3	OPTICA FARO DEL.EC 2011 6000270 EE200002511 (u. 1)	<b>OBSOLETO</b>
4	BOMBILLA HALOGENA 35/35 12V.HS1 L300125 (u. 1)	
5	TUERCA NUT 956 M-6 HRC 40/48 T2606000 (u. 1)	<b>OBSOLETO</b>
5	TUERCA NUT 956 RAPIDA M-6 HRC 40/48 0/000.340.9120 (u. 1)	
6	INST.PRINCIPAL EC ELEC.2014 EE10000GG-CBR-1 (u. 1)	
7	CASQ.DIST.CDI 2014 BE10910GG-CAB-1 (u. 1)	
8	PIPA BUJIA LB05EMH=BT27934000 0/005.110.9100 (u. 1)	
8	PIPA BUJIA BE25934000 (u. 1)	<b>OBSOLETO</b>
9	BOB.DE ALTA JT TXT 2013 0/005.070.9100 (u. 1)	
9	BOBINA DE ALTA JT TXT 2013 ET500003013 (u. 1)	<b>OBSOLETO</b>
10	CLAXON FSR 450-2008 EFS204004508 (u. 1)	<b>OBSOLETO</b>

	BRIDA UNEX 2244 4.8X20 BE25634009 (u. 1)	OBSOLETO
11	ABRAZADERA INSTALACION 0/000.680.0060 (u. 1)	
	BRIDA UNEX NYLON 2244 4.8X20 0/000.660.9105 (u. 1)	
12	CTO.CDI PROGRAM.EC 250-300 E-START 2015 EE51100CT-CEU-1 (u. 1) - 250cc / 300cc	
13	GOMAS RAD.A CHASIS =BE25632003 G220000 (u. 1)	OBSOLETO
	GOMAS RAD.A CHASIS =BE25632003 0/000.360.9112 (u. 1)	
14	BRIDA nylon CORTA 2221-0 2.5X98 =P380003 BE25634010 (u. 1)	OBSOLETO
	BRIDA 2,5x100 T18ROS-PA66HS-BK 0/000.680.0081 (u. 1)	
	BRIDA UNEX NYLON CORTA 2221-0 2.5X98 =P380003 0/000.660.9106 (u. 1)	
15	TORN.ESP.6X16 DIN 6921 ZINC.10.9 0/000.460.9119 (u. 1)	
	TORN.ESP.6X16 10.9 ZINC. T0206016 (u. 1)	OBSOLETO
16	BUJIA W24ESRU 0/005.110.9101 (u. 1)	
	BUJIA W24ESRU ME25934000 (u. 1)	OBSOLETO
17	BOBILLA LUZ POSICION L300126 (u. 1)	
20	REGUL.(31600-XRU-0000) 0/005.070.9101 (u. 1)	
	REGULADOR EE51200GG-CAB-1 (u. 1)	OBSOLETO
21	ABRAZADERA INSTALACION 0/000.680.0060 (u. 1)	
	BRIDA UNEX NYLON 3.6x140 LATIG.EMBR. 0/000.680.9100 (u. 1)	
	BRIDA NYLON 3.6x140 LATIG.EMBR. BE250022031 (u. 1)	OBSOLETO
22	TUERCA NUT 956 RAPIDA M-6 HRC 40/48 0/000.340.9120 (u. 1)	
	TUERCA NUT 956 M-6 HRC 40/48 T2606000 (u. 1)	OBSOLETO
23	TORN.ULS C/ARAND 6x16 ZN T0556016 (u. 1)	
24	SENSOR CUENTA KM ENDURO 0/001.010.9100 (u. 1)	
	SENSOR CUENTA KM ENDURO BE250634050 (u. 1)	OBSOLETO
25	CONDENSADOR EC 2014 2T EE40300GG-CAB-1 (u. 1)	
27	SOP.MULTIFUNCION 2014 BE22265GG-CAB-1 (u. 1)	
	SOPORTE MULTIFUNCION EC 2015 BE22265GG-CAB-2 (u. 1)	



<b>28</b>	EXAG+ARANDELA 6x14 DIN 6921 0/000.460.9118 (u. 1)	
	EXAG.6x14+ARANDELA INCORP. T0206014 (u. 1)	<b>OBSOLETO</b>
<b>30</b>	CONMUTADOR LUCES EC-2016 ARRAN.ELEC. EE60200GG-EKK-1 (u. 1)	
<b>31</b>	ARANDELA PLANA 6.5X16X1.5 DIN 125 ZINC 0/000.440.9125 (u. 1)	
	ARANDELA PLANA 6.5X16X1.5 T4006016 (u. 1)	<b>OBSOLETO</b>
<b>32</b>	EXAG.6x14+ARANDELA INCORP. T0206014 (u. 1)	<b>OBSOLETO</b>
	EXAG+ARANDELA 6x14 DIN 6921 0/000.460.9118 (u. 1)	
<b>37</b>	PLAQUETA SUBJECION CONECTORES INST.ELEC. BE22020GG-CAU-1 (u. 1)	

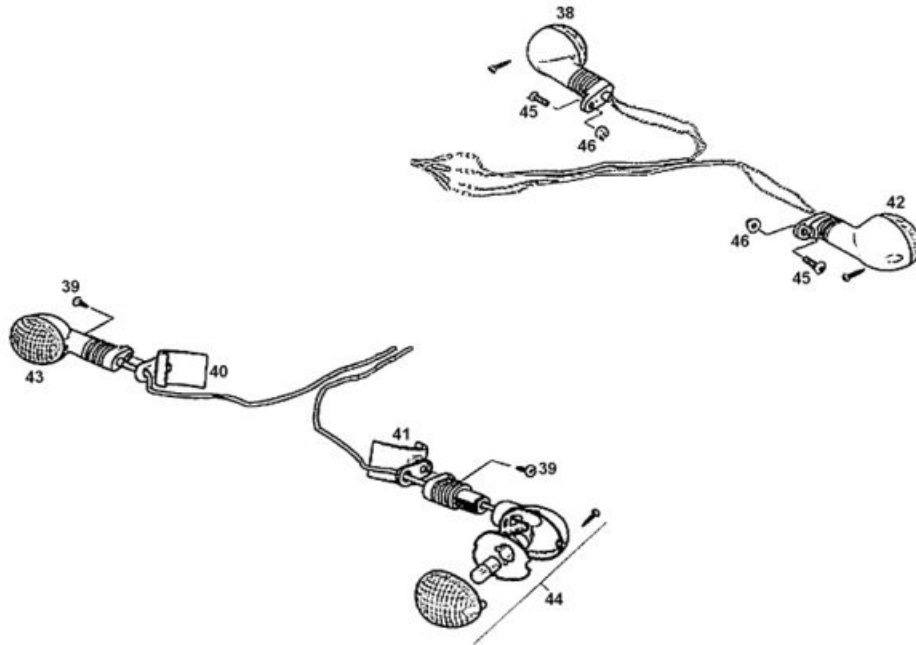
**Conjunto de cables para e-start**



1	MULTIFUNCION EC 2014 EE60000GG-CAB-1 (u. 1)	
5	TUERCA NUT 956 RAPIDA M-6 HRC 40/48 0/000.340.9120 (u. 1)	
5	TUERCA NUT 956 M-6 HRC 40/48 T2606000 (u. 1)	OBSOLETO
6	INST.PRINCIPAL EC ELEC.2014 EE10000GG-CBR-1 (u. 1)	
7	CASQ.DIST.CDI 2014 BE10910GG-CAB-1 (u. 1)	
12	CTO.CDI PROGRAM.EC 250-300 E-START 2015 EE51100CT-CEU-1 (u. 1) - 250cc / 300cc	
13	GOMAS RAD.A CHASIS =BE25632003 0/000.360.9112 (u. 1)	
13	GOMAS RAD.A CHASIS =BE25632003 G220000 (u. 1)	OBSOLETO
24	SENSOR CUENTA KM ENDURO BE250634050 (u. 1)	OBSOLETO
24	SENSOR CUENTA KM ENDURO 0/001.010.9100 (u. 1)	
27	SOP.ON/OFF 4t 2014 BE22265GG-CAL-1 (u. 1)	
27	SOPORTE MULTIFUNCION 4T 2015 BE22265GG-CAK-2 (u. 1)	
27	SOP.MULTIFUNCION 4t 2014 BE22265GG-CAK-1 (u. 1)	
28	EXAG+ARANDELA 6x14 DIN 6921 0/000.460.9118 (u. 1)	
28	EXAG.6x14+ARANDELA INCORP. T0206014 (u. 1)	OBSOLETO

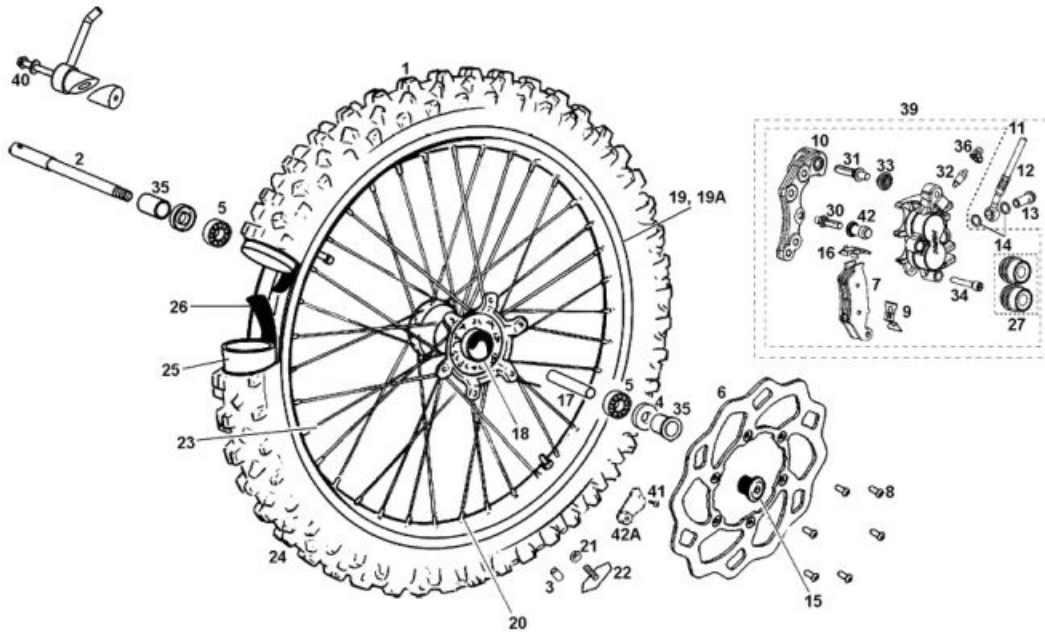
30	CONMUTADOR LUCES EC-2016 ARRAN.ELEC. EE60200GG-EKK-1 (u. 1)	
31	ARANDELA PLANA 6.5X16X1.5 DIN 125 ZINC 0/000.440.9125 (u. 1)	
	ARANDELA PLANA 6.5X16X1.5 T4006016 (u. 1)	OBSOLETO
33	BATERIA FTZ7S-SIAM -FURUKAWA EC400-4T(CE) BFS400134080/3 (u. 1)	
34	CABLE POSITVO BATERIA 2016 EE40015GG-EKK-1 (u. 1)	
35	CABLE POSITVO BATERIA 2016 EE40015GG-EKK-1 (u. 1)	
36	CABLE RELE A MOTOR ARRANQUE 2016 EE40110GG-EKK-1 (u. 1)	
38	CERRADURA DE CONTACTO+CIERRE 50CC.2004 BQ050434032 (u. 1)	
39	RELE ARRANQUE (RC19-005 <sup>a</sup> )STARTER RELA 00020 A7343-888-00-000 0/001.200.9101 (u. 1)	
	RELE ARRANQUE (RC19-005 <sup>a</sup> )STARTER RELA 00020 A7343-888-00-000 BFS400134075/2 (u. 1)	OBSOLETO
40	GOMA SOP.RELE ARRANQUE FIJ.VERTICAL EE85205GG-CAK-1 (u. 1)	
41	TAPA PROT.FUSIBLE (B4694-730-00-001) EE851052511 (u. 1)	
42	TORN.ESP.6x20 10.9 ZINC.(CEX) T0206020 (u. 1)	OBSOLETO
	TORN.ESP.6x20 DIN 6921 GEOMET 10.9 0/000.460.9120 (u. 1)	
43	ARANDELA EN ABANICO DIN 6798 ZINC 0/000.440.9127 (u. 1)	
	ARANDELA EN ABANICO DIN 6798/A ZINCADA T4006040 (u. 1)	OBSOLETO
	ARANDELA Ø6 0/000.440.0240 (u. 1)	
44	ULS 6X10 DIR. T0506010 (u. 1)	OBSOLETO

**Intermitente homologado**



38	INTERMITENTE DCH.TRAS.2005 BE250634021/2 (u. 1)	OBSOLETO
	INTERMITENTE DCH.TRAS.2005 0/000.150.9102 (u. 1)	
39	TORN.PHILIPS CHAPA 6.3x16 ZINCADO.NEGRO. T0706316 (u. 1)	OBSOLETO
40	SOP.INTER.DEL.DCH.O.EC2001 BE250134017 (u. 1)	
41	SOP.INTERM.DEL.IZQ.EC2001 BE250134020 (u. 1)	
42	INTERMITENTE IZQ.TRAS.2005 0/000.150.9103 (u. 1)	OBSOLETO
	INTERMITENTE IZQ.TRAS.2005 BE250634022/2 (u. 1)	
43	INTERMITENTE DCH.O.DEL.2005 0/000.150.9100 (u. 1)	OBSOLETO
	INTERMITENTE DCH.O.DEL.2005 BE250634018 (u. 1)	
44	INTERMITENTE IZQ.DEL.2005 BE250634019 (u. 1)	OBSOLETO
	INTERMITENTE IZQ.DEL.2005 0/000.150.9101 (u. 1)	
45	INTERMITENTE IZQ.DEL.2005 0/000.150.9101 (u. 1)	OBSOLETO
	INTERMITENTE IZQ.DEL.2005 BE250634019 (u. 1)	
46	TUERCA+ARAN.M-6 (DIN 6923) ESTR. T2206000 (u. 1)	OBSOLETO
	TUERCA+ARAN.M-6 ESTR. DIN 6923 ZINC 8 0/000.340.9116 (u. 1)	

**Rueda delantera**

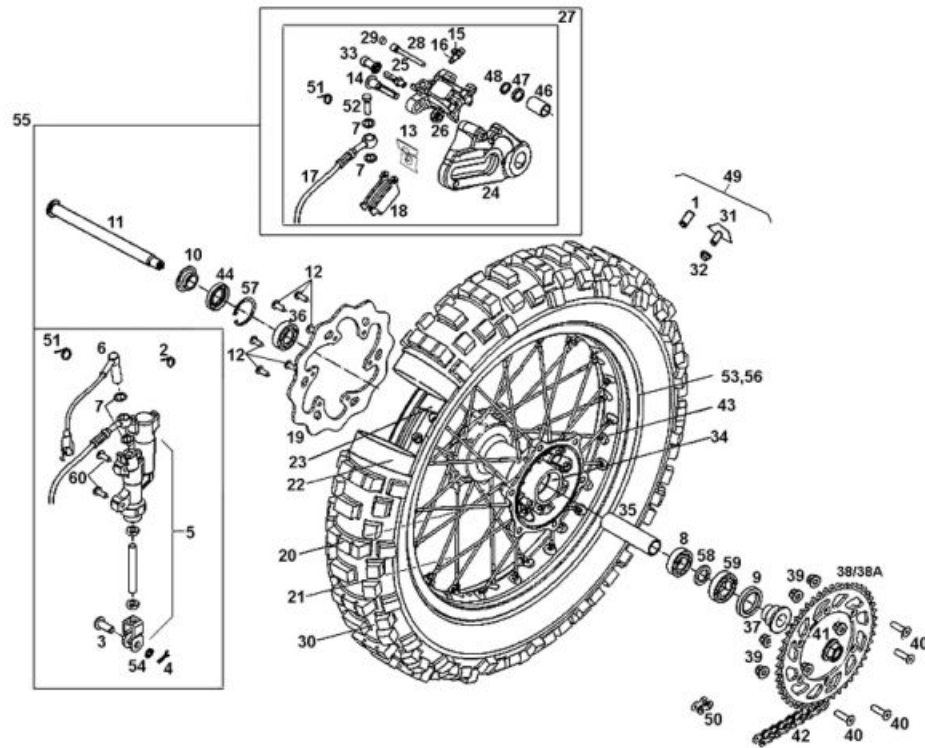


1	CTO.RUEDA DEL.EC RACING 2014 BE50000CT-CAW-1 (u. 1)	<b>OBSOLETO</b>
2	EJE RUEDA DEL.EC-2011 20.8CM BE53000R3011 (u. 1)	<b>OBSOLETO</b>
3	CASQ.AGARRE CUBIERTA EC-2010 8X12X12 0/000.480.9112 (u. 1)	
	CASQ.AGARRE CUBIERTA EC-2010 8X12X12 BE555102510 (u. 1)	<b>OBSOLETO</b>
4	RETEN CUBO DEL.390.99.59-30X42X7 BE250418057 (u. 1)	
5	RODAM.61905 2RS1 ME120136055 (u. 1)	
6	DISCO FRENO DELANTERO ENDURO 2018 BE52000GG-CLJ-1 (u. 1)	<b>OBSOLETO</b>
	DISCO FRENO DELANTERO ENDURO 2018 260mm 0/001.090.9105 (u. 1)	
	FRONT BRAKE DISK WAVE GALFER 0913 BE520002509 (u. 1)	<b>OBSOLETO</b>
7	KIT PASTILLAS DEL.FD164 G1396 SINTER BE620652508/1 (u. 1)	
	KIT PASTILLAS DEL.EC 002-C94-540 CEX BE620652508 (u. 1)	
8	ULS TORX 6X14 DIN 7380-1 ZINCADO 10.9 T0566014 (u. 1)	
9	PLATINA SUJ.PASTILLAS EC 002-C30-110 BE620112508 (u. 1)	
10	SOP.PINZA DEL.EC 002-C08-225 BE620102508 (u. 1)	

11	PINZA FRENO DEL+SOP.272-C00-400 EC-2007 BE250722000 (u. 1)	OBSOLETO
	PINZA FRENO DEL+SOP.272-C00-400 EC-2007 0/000.860.9101 (u. 1)	
12	LATIGUILLO FRENO DEL.EC-2004- 740 746112 BE250422002 (u. 1)	
13	RACORD SUJ.LATIGUILLO 10X1,25(9257) BC25722006 (u. 1)	
14	ARANDELA LATIGUILLO 10X14X1 BE25622007 (u. 1)	
15	TORN.EJE RUEDA DEL.M-22 EC250-2007 BE250718026 (u. 1)	OBSOLETO
	TUERCA EJE DELANTERO 0/000.340.9100 (u. 1)	
16	PLATINA SUJ.PASTILLAS 002-C80-014 BE620122508 (u. 1)	
17	CASQ.SEP.CUBO DEL.390.80.234 BE250418058 (u. 1)	
18	CUBO RUEDA DEL.EC 2014 BE54110GG-CAB-1 (u. 1)	
19	CTO.LLANTA DEL.RADIADA NG.EC RACING 2014 BE54000CT-CAW-1 (u. 1)	
20	TUERCA RADIO DEL. BE542503013 (u. 1)	
21	TUERCA AUTOBL.M-8 BAJA DIN 985 ZINC 0/000.340.9114 (u. 1)	OBSOLETO
	TUERCA AUTOBLOCANTE M-8 BAJA DIN 985 ZINC. T2108001 (u. 1)	
22	AGARRE DEL.EC-2009 1.6x21 BE505002509 (u. 1)	OBSOLETO
	AGARRE DEL.EC-2009 1.6x21 0/000.220.9114 (u. 1)	
23	RADIO DEL.EC 2014 BE54200GG-CAW-1 (u. 1)	
24	NEUMATICO DEL.90/90-21 MICHELIN M/C 54M BE501002511 (u. 1)	OBSOLETO
	NEUMATICO DEL.90/90-21 MICHELIN M/C 54M 0/000.510.9100 (u. 1)	
25	CAMARA DELANTERA 21MDR VALVE TR4 BE502002511 (u. 1)	OBSOLETO
	CAMARA DELANTERA 21MDR VALVE TR4 833092 0/000.520.9100 (u. 1)	
26	PROT.BANDA DEL.FLAP 1.60/1.85 X 21(1400X25) 949947 0/000.220.9108 (u. 1)	OBSOLETO
	PROTECTOR BANDA DELANTERA FLAP 1.60/1.85 X 21(1400X25) BE503002511 (u. 1)	
27	KIT.REP.PISTON 272-C98-129 BE620422508 (u. 1)	
30	TORN.CLAVIJA PINZA FRENO 082-C48-023 BE250022034 (u. 1)	
31	TORN.GUIA NISSIN 002-C46-086 BE250022092 (u. 1)	
32	KIT SANGRADOR EC 142-D98-103 BE620602508 (u. 1)	
33	GUARDAPOLVO EC 002-C40-101 BE620682508 (u. 1)	

34	PASADOR PAS.PINZA F.DEL.002-C50-031 BE250022041 (u. 1)	
35	DIST.RUEDA DEL.2004 BC250418019 (u. 1)	OBSOLETO
	CASQUILLO RUEDA DELANTERA 0/000.480.9100 (u. 1)	
36	TAP.SANGRADOR NISSIN 009-Z51-015 BE250022055 (u. 1)	
39	CTO.FRENO DEL.PURGADO ENDURO 2004 0/000.820.9107 (u. 1)	OBSOLETO
	CTO.FRENO DEL.PURGADO ENDURO 2004 BE250422108 (u. 1)	
40	TIRADOR EJE DEL.EC 0/000.980.9123 (u. 1)	OBSOLETO
	TIRADOR EJE DEL.EC BE536002511 (u. 1)	
41	TORNILLO DE CABEZA ABOMBADA M4x10(3856583) MT280332077 (u. 1)	OBSOLETO
42	GUARDAPOLVO PINZA EC 002-C49-104 BE620692508 (u. 1)	
	CTO.PLATINA+IMAN CTA.KM BP120734008CT (u. 1)	

**Rueda trasera**



1	CASQ.AGARRE CUBIERTA EC-2010 8X12X12 0/000.480.9112 (u. 1)	
	CASQ.AGARRE CUBIERTA EC-2010 8X12X12 BE555102510 (u. 1)	<b>OBSOLETO</b>
2	BRIDA UNEX 2244 16/102 4.8X36 BE25634007 (u. 1)	<b>OBSOLETO</b>
	ABRAZADERA INSTALACION 0/000.680.0060 (u. 1)	
	BRIDA UNEX NYLON 2244 16/102 4.8X36 0/000.660.9104 (u. 1)	
3	PASADOR 8X20 PEDAL FRENO 0/000.840.9101 (u. 1)	
	PASADOR 8X20 PEDAL FRENO BE25622026 (u. 1)	<b>OBSOLETO</b>
4	CLAVILLA PASADOR FRENO 2X20 BE25622027 (u. 1)	<b>OBSOLETO</b>
	CLAVILLA PASADOR FRENO 2X20 0/000.840.9102 (u. 1)	
5	BOMBA FRENO TRAS.EC-2009 BE660002509 (u. 1)	
6	INTERRUPTOR 23-016/1 STOP BOMBA NISSIN 3 BE250334003 (u. 1)	<b>OBSOLETO</b>
	INTERRUPTOR 23-016/1 STOP BOMBA NISSIN 3 0/000.720.9104 (u. 1)	
7	ARANDELA LATIGUILLO 10X14X1 BE25622007 (u. 1)	
8	RODAM.6204 2RSR C180700 (u. 1)	
9	RETEN RUEDA TT 2003 32X47X7 BE250318055 (u. 1)	



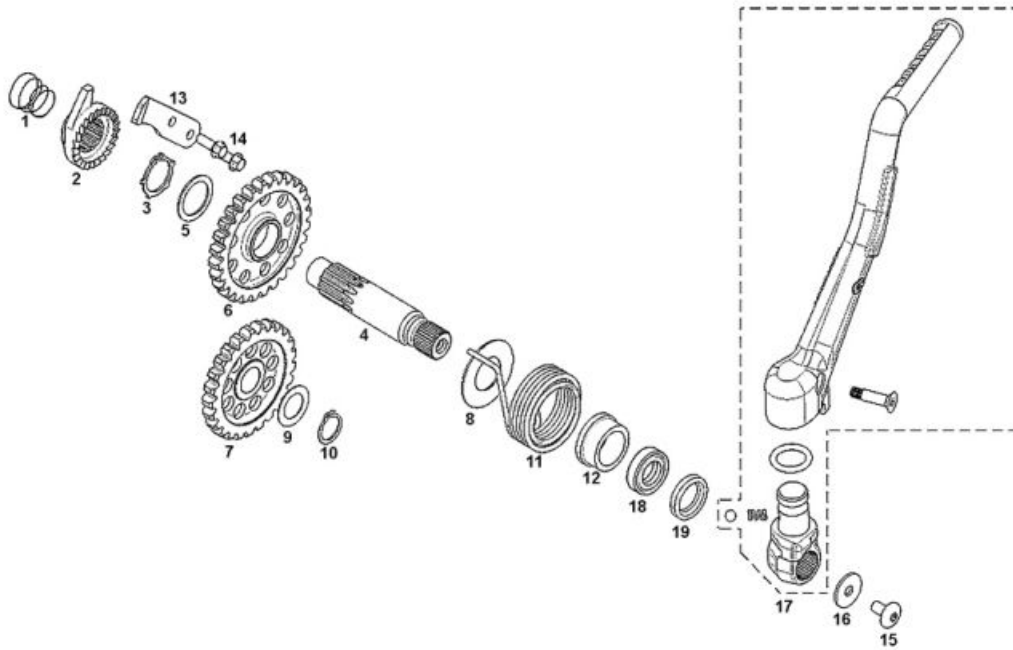
10	DIST.RUEDA TRAS.CORTO EC-2000 0/000.480.9104 (u. 1)	
	DIST.RUEDA TRAS.CORTO EC-2000 BE250018025 (u. 1)	OBSOLETO
11	EJE RUEDA TRAS. BE25618020 (u. 1)	
12	EXAG.6x14+ARANDELA INCORP. T0206014 (u. 1)	OBSOLETO
	EXAG+ARANDELA 6x14 DIN 6921 0/000.460.9118 (u. 1)	
13	PLATINA (B) SUJ.PAST.TRAS.002-C53-101 BE250022091 (u. 1)	
14	TORN.SUJ.PINZA 012-C54-001 BE250022096 (u. 1)	
15	TAP.SANGRADOR NISSIN 009-Z51-015 BE250022055 (u. 1)	
16	SANGRADOR NISSIN 079-Z50-001 BE250022060 (u. 1)	
17	LATIGUILLO FRENO TRAS.EC-2009 BE661002509 (u. 1)	
18	KIT PASTILLAS TRAS.FD286 G1396 SINTER. BE675002509/1 (u. 1)	
	KIT PASTILLAS FRENO TRAS.EC-2009 002-C94 BE675002509 (u. 1)	
19	D.FRENO.TRAS.FLOR EC-2009 DF678WLL BE570002509 (u. 1)	
20	RADIO 192X4.5 LADO FRENO 18' BE59200GG-CAW-1 (u. 1)	
21	RADIO 188X4.5 LADO CORONA 18' BE59210GG-CAW-1 (u. 1)	
22	CAMARA TRASERA CH 18 MGR VALVE TR4 MICHELIN 0/000.520.9102 (u. 1)	
	CAMARA TRASERA CH 18 MGR VALVE TR4 MICHELIN BE552002511 (u. 1)	OBSOLETO
23	PROT.BANDA TRASERO 1.60/2.00 X 18/19 (1300X25) 656415 MICHELIN 0/000.220.9110 (u. 1)	
	PROT.BANDA TRASERO 1.60/2.00 X 18/19 (1300X25) 656415 MICHELIN BE553002511 (u. 1)	OBSOLETO
24	SOP.PINZA FRENO TRAS.NISSIN EC-2009 BE671002509 (u. 1)	
25	TORN.CLAVIJA PINZA FRENO 082-C48-023 BE250022034 (u. 1)	
26	GUARDAPOLVO PINZA FRENO TRAS.EC-2009 250 BE675802509 (u. 1)	
27	CTO.PINZA FRENO TRAS.+SOP.EC-2009 0/000.860.9102 (u. 1)	
	CTO.PINZA FRENO TRAS.+SOP.EC-2009 BE67000CT2509 (u. 1)	OBSOLETO
28	PASADOR PASTILLAS TRAS.002-C50-053 BE250022094 (u. 1)	
29	PROTECC.PASADOR NISSIN 002-C51-012 BE250022095 (u. 1)	
30	NEUMATICO TRASERO 140/80 - 18 70R ENDURO MEDIUM R TT BE551002511 (u. 1)	OBSOLETO
	NEUMATICO TRASERO 140/80 - 18 70R ENDURO MEDIUM R TT 0/000.510.9102 (u. 1)	

31	AGARRE TRAS.EC-2009 2.15x18 BE555002509 (u. 1)	OBSOLETO
	AGARRE TRAS.EC-2009 2.15x18 0/000.220.9115 (u. 1)	
32	TUERCA AUTOBL.M-8 BAJA DIN 985 ZINC 0/000.340.9114 (u. 1)	OBSOLETO
	TUERCA AUTOBLOCANTE M-8 BAJA DIN 985 ZINC. T2108001 (u. 1)	
33	GUARDAPOLVO PINZA EC 002-C49-104 BE620692508 (u. 1)	
34	CUBO RUEDA TRAS.ENDURO 2014 BE59100GG-CAB-1 (u. 1)	
35	DISTAN.RUEDA TRAS.INTER.CUBO R575700 (u. 1)	
36	COJINETE 6004 2RS1 C160001 (u. 1)	
37	DIST.RUEDA TRAS.LARGO BE250318021 (u. 1)	
38	CORONA Z-44 BF250018024/2 (u. 1)	OBSOLETO
	CORONA Z-40 SUPERMOTARD(CEX) BE250118125SM (u. 1)	
	CORONA Z 48 ENDURO 2011 COLOR TIT. 0/000.500.9101 (u. 1)	
	CORONA Z 48 ENDURO 2011 COLOR TIT. BE573002511 (u. 1)	
39	TUERCA AUTOBL+ARANDELA M8 T2208002 (u. 1)	OBSOLETO
	TUERCA AUTOBL + ARANDELA M8 ZINC 0/000.340.9119 (u. 1)	
40	ALLEN+8X30 TENS.CAD. T0408030 (u. 1)	OBSOLETO
	ALLEN CONICO 8X30 DIN 7991 ZINC 12.9 0/000.460.9153 (u. 1)	
41	TUERCA AUTOBL.RUEDA TRAS.PR80 DIA.32 ZIN BE25618023 (u. 1)	
42	CADENA ABIERTA 135 ZRA 112 PASOS CON CLIP 0/001.050.9100 (u. 1)	OBSOLETO
	135ORCX112 CHAIN EC2003 BE250310036 (u. 1)	
	CADENA ABIERTA 135 ZRA 112 PASOS CON CLIP BE57800GG-CLJ-1 (u. 1)	
43	TUERCA RADIO TRASERO BE592153013 (u. 1)	
44	RETEN RUEDA DEL.TT 25x42x7 C160710 (u. 1)	
46	PISTON PINZA FRENO TRAS.EC-2009 252-C34- BE675602509 (u. 1)	
47	RETEN PINZA FRENO TRAS.EC-2009 250-C43-0 BE675502509 (u. 1)	
48	TORICA PISTON PINZA TRAS 270-C43-009 BE250022048 (u. 1)	
49	CTO.RUEDA TRAS.EC RACING 2014 BE55000CT-CAW-1 (u. 1)	OBSOLETO
50	ENGANCHE CADENA 26/135ORC6 BE250310066 (u. 1)	

	BRIDA 2,5x100 T18ROS-PA66HS-BK 0/000.680.0081 (u. 1)	
51	BRIDA UNEX NYLON CORTA 2221-0 2.5X98 =P380003 0/000.660.9106 (u. 1)	
	BRIDA nylon CORTA 2221-0 2.5X98 =P380003 BE25634010 (u. 1)	OBSOLETO
52	RACORD SUJ.LATIGUILLO 10X1,25(9257) BC25722006 (u. 1)	
53	CTO.LLANTA TRAS.RADIADA NG.EC RACING 201 BE59000CT-CAW-1 (u. 1)	
54	ARANDELA DE 8X16X1,5 T4008016 (u. 1)	OBSOLETO
	GUARNIZ. FISSAGGIO TELAIO PARTE POST. 0/000.440.0160 (u. 1)	
55	CTO.FRENO TRAS.MONT.EC-2009 BE65000CT2509 (u. 1)	
57	ANILLO SEGEER DIA.42 BE25618038 (u. 1)	
58	ARANDELA SUPLEMENTO RODA.490.80.096 BE250318056 (u. 1)	
59	COJINETE RUEDA TRAS.6005-2SRH C3 BE250318054 (u. 1)	
60	TORN.ESP.6X16 DIN 6921 ZINC.10.9 0/000.460.9119 (u. 1)	
	TORN.ESP.6X16 10.9 ZINC. T0206016 (u. 1)	OBSOLETO

# EC 2T 2017 - Engine

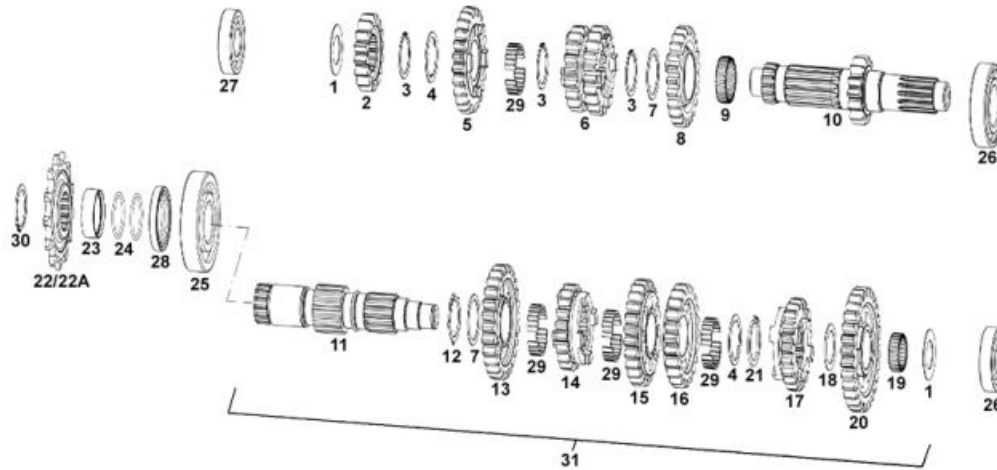
**Palanca de arranque**



1	MUELLE TRINQUETE ARRANQUE ME25636006 (u. 1)	OBSOLETO
	MUELLE TRINQUETE ARRANQUE 0/000.470.9109 (u. 1)	
2	TRINQUETE ARRANQUE EC125cc ME120126004 (u. 1)	OBSOLETO
	TRINQUETE ARRANQUE EC125cc 0/005.400.9110 (u. 1)	
3	SEEGER DE 20 ARRANQUE=M03615000 ME25636052 (u. 1)	OBSOLETO
	SEEGER D.20 DIN 471 0/000.300.9105 (u. 1)	
4	EJE ARRANQUE EC-2001 0/005.400.9106 (u. 1)	OBSOLETO
	EJE ARRANQUE EC-2001 ME250126003 (u. 1)	
5	ARAN.TOPE 27X20.2X1 DESPL ARRAN. 0/000.440.9109 (u. 1)	OBSOLETO
	ARAN.TOPE 27X20.2X1 DESPL ARRAN. ME25636000 (u. 1)	
6	PIÑÓN ARRANQUE EC-2001 ME250126002 (u. 1)	OBSOLETO
	PIÑÓN ARRANQUE EC-2001 0/005.400.9105 (u. 1)	
7	PIÑÓN INT.ARRANQUE EC-2008 0/005.400.9108 (u. 1)	OBSOLETO
	PIÑÓN INT.ARRANQUE EC-2008 ME880002508 (u. 1)	

8	EJE ARRANQUE EC-2001 0/005.400.9106 (u. 1)	
	EJE ARRANQUE EC-2001 ME250126003 (u. 1)	OBSOLETO
9	VOLANDERA PIÑÓN ARRAN.24X15.15X0.8 ME25636012 (u. 1)	OBSOLETO
	VOLANDERA PIÑÓN ARRAN.24X15.15X0.8 0/000.440.9110 (u. 1)	
10	SEEGER EJE 15 EMBR. ME25632017 (u. 1)	
11	MUELLE ARRANQUE ME86000GG-CAB-1 (u. 1)	OBSOLETO
	MUELLE ARRANQUE 0/000.470.9110 (u. 1)	
12	CASQ.CENTRADOR MUELLE ARRANQUE ME86500GG-CAB-1 (u. 1)	OBSOLETO
	CASQ.CENTRADOR MUELLE ARRANQUE 0/000.480.9125 (u. 1)	
13	PLATINA TRINQUETE ARRANQUE ME25636005 (u. 1)	OBSOLETO
	PLATINA TRINQUETE ARRANQUE 0/000.980.9114 (u. 1)	
14	TORN.ESP.+ARAND.5x15 ZI T0205015 (u. 1)	OBSOLETO
	TORN.ESP.+ARAND.5x15 DIN 6921 GEOMET 10.9 0/000.460.9115 (u. 1)	
15	TORN.6X12 HUELLA TORX ESP.ZI T0316012 (u. 1)	OBSOLETO
	TORN.ESP.+ARAND.5x15 DIN 6921 GEOMET 10.9 0/000.460.9115 (u. 1)	
	ALLEN 6X12 T0306012 (u. 1)	OBSOLETO
16	ARANDELA 6X20X2 0/000.440.9112 (u. 1)	
	ARANDELA 6X20X2 ME85170GG-CAB-1 (u. 1)	OBSOLETO
17	CTO.PEDAL ARRANQUE 0/005.430.9101 (u. 1)	
	PEDAL ARRANQUE Y MUÑEQUILLA EC 250 4T 20 MFS890002510 (u. 1)	OBSOLETO
	CTO.PEDAL ARRANQUE ME89000CT2511 (u. 1)	OBSOLETO
18	RETEN PEDAL ARRAN.20X30X7 0/000.890.9105 (u. 1)	
	RETEN PEDAL ARRAN.20X30X7 ME25632021 (u. 1)	OBSOLETO
19	CASQ.TOPE PEDAL ARRANQUE EC 2014 0/000.480.9126 (u. 1)	
	CASQ.TOPE PEDAL ARRANQUE EC 2014 ME89025GG-CAB-1 (u. 1)	OBSOLETO

## Cambio



**1** ARANDELA 18X31.5X0.7 CAMBIO  
ME25636014 (u. 1)

**2** PIÑÓN PRIMARIO II Z-16  
ME25636071 (u. 1)

**3** CIRCLIP D.25 DIN 471  
ME25936084 (u. 1)

OBSOLETO

CIRCLIP D.25 DIN 471  
0/000.300.9107 (u. 1)

**4** ARANDELA 31.5X(25X22)X1 SEC.3-4 ESTR.CAM  
ME25636091 (u. 1)

**5** PIÑÓN PRIMARIO VI Z-24  
ME25636074 (u. 1)

**6** PIÑÓN PRIMARIO III Y IV  
ME25636072 (u. 1)

**7** ARANDELA 25.2X31.5X1 CAMBIO  
ME25636017 (u. 1)

**8** PIÑÓN PRIMARIO V Z-23  
ME25636073 (u. 1)

**9** COJINETE AGUJAS K25-29-10  
M02616000 (u. 1)

OBSOLETO

COJINETE AGUJAS K25-29-10  
0/000.960.9104 (u. 1)

**10** EJE PRIMARIO EC 250-2002  
ME250236070 (u. 1)

**11** EJE SECUNDARIO EC 08  
ME410002508 (u. 1)

**12** CIRCLIP D.25 DIN 983 =25049255  
ME25636095 (u. 1)

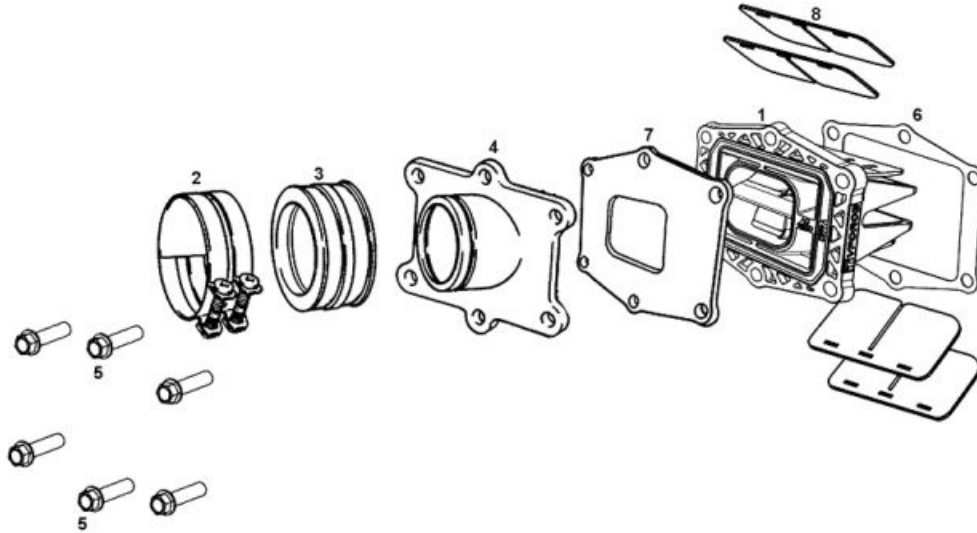
**13** PIÑÓN SECUNDARIO II 7-26  
ME250136077 (u. 1)

14	PIÑON SECUNDARIO VI Z-19 ME250136081 (u. 1)	
15	PIÑON SECUNDARIO III Z-24 ME25636078 (u. 1)	
16	PIÑON SECUNDARIO IV Z-22 ME25636079 (u. 1)	
17	PIÑON SECUNDARIO V Z-21 ME25636080 (u. 1)	
18	ARANDELA 20.8X29X1 CAMBIO ME25636016 (u. 1)	
19	RODA.AGUJ.K20X24X10 ME25636059 (u. 1)	OBSOLETO
	RODA.AGUJ.K20X24X10 0/000.960.9114 (u. 1)	
20	PIÑON SECUNDARIO I Z-29 ME25636076 (u. 1)	
21	CIRCLIP D.25 DIN 471 REBAIXAD D.2 SE03025200009 (u. 1)	
22	PIÑON SALIDA TG421X12T 0/005.400.9113 (u. 1)	
	PIÑON SALIDA TG421X13T ME25636025 (u. 1)	OBSOLETO
	PIÑON SALIDA TG421X12T MF25836025 (u. 1)	OBSOLETO
	PIÑON SALIDA TG421X13T 0/005.400.9112 (u. 1)	
23	DOLLA RETEN SALIDA CAMBIO 0/000.260.9100 (u. 1)	
	DOLLA RETEN SALIDA CAMBIO ME25636046 (u. 1)	OBSOLETO
24	TORICA 25 X 2 NBR PIÑ SAL. ME25632025 (u. 1)	OBSOLETO
	TORICA 25 X 2 NBR PIÑ SAL. 0/000.490.9107 (u. 1)	
25	RODAM.CAMBIO 6305 C3 ME25636058 (u. 1)	OBSOLETO
	RODAM.CAMBIO 6305 C3 0/000.960.9113 (u. 1)	
26	RODAM.CAMBIO 6203C3 0/000.960.9112 (u. 1)	
	RODAM.CAMBIO 6203C3 ME25636057 (u. 1)	OBSOLETO
27	RODAM.CAMBIO 6205-RSH/C3 0/000.960.9106 (u. 1)	
	RODAM.CAMBIO 6205-RSH/C3 ME250136056 (u. 1)	OBSOLETO
28	RETEN 30X40X7 DOBLE LABIO.PIÑ.SAL. ME25636024 (u. 1)	OBSOLETO
	RETEN 30X40X7 DOBLE LABIO.PIÑ.SAL. 0/000.890.9106 (u. 1)	
29	JAULA AGUJAS KD22x25x9.8 GRUPO CAMBIO 0/005.150.9101 (u. 1)	
	JAULA AGUJAS KD22x25x9.8 GRUPO CAMBIO ME250236102 (u. 1)	OBSOLETO



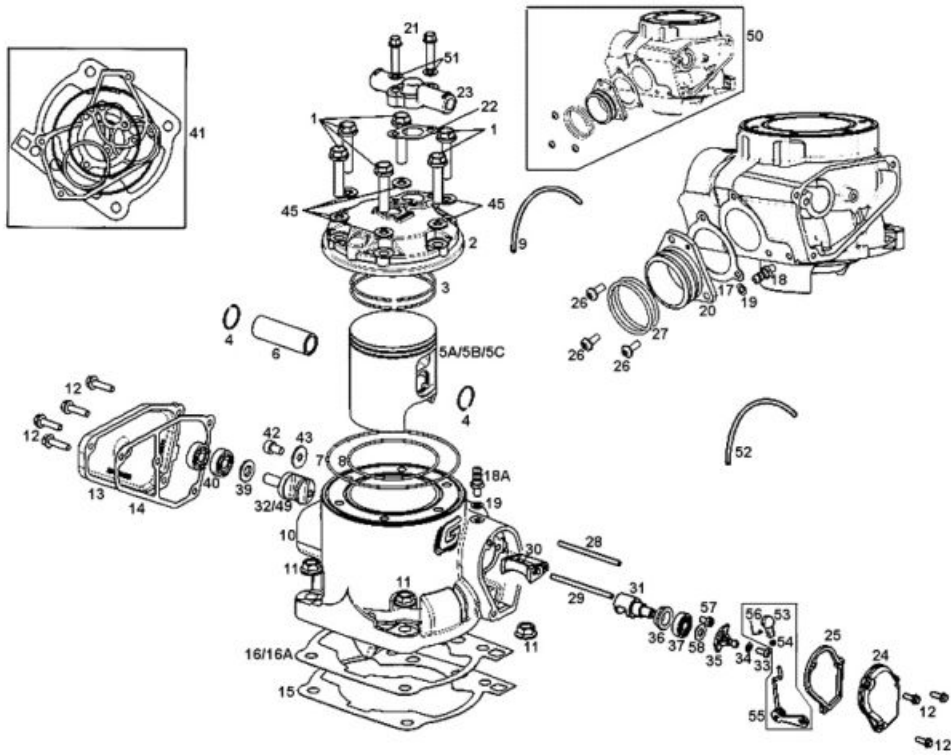
<b>30</b>	CIRCLIP D.25 DIN 471 0/000.300.9107 (u. 1)	
	CIRCLIP D.25 DIN 471 ME25936084 (u. 1)	<b>OBSOLETO</b>
<b>31</b>	CTO. CAMBIO MARCHAS 0/005.400.9107 (u. 1)	
	CTO.CAMBIO COMP.EC-2008 ME40000CT2508 (u. 1)	<b>OBSOLETO</b>
	CTO. CAMBIO MARCHAS ME40000CT-CSK-1 (u. 1)	<b>OBSOLETO</b>

## Válvula de láminas



1	CAJA LAMINAS V-FORCE 4 0/005.600.9100 (u. 1)	
	CAJA LAMINAS V-FORCE 4 ME25000GG-CAB-1 (u. 1)	<b>OBSOLETO</b>
2	ABRAZ.S56/9 W1 ZINC 0/000.680.9109 (u. 1)	
	ABRAZ.S56/9 W1 MT280316132 (u. 1)	<b>OBSOLETO</b>
3	GOMA CAJA DE LAMINAS EC250-2006 ME250616131 (u. 1)	
4	TUBERA CAJA LAMINAS EC-2008 EURO3 ME250816135 (u. 1)	
5	TORN.ESP.6X25 DIN 6921 GEOMET 10.9 VALONA 11MM 0/000.460.9121 (u. 1)	
	TORN.ESP.6X25(10.9) VALONA 11MM T0206025 (u. 1)	<b>OBSOLETO</b>
6	JUNTA CAJA LAMINAS- CARTER V-FORCE 4 ME94600GG-CAB-1 (u. 1)	<b>OBSOLETO</b>
	JUNTA CAJA LAMINAS- CARTER V-FORCE 4 0/000.490.9120 (u. 1)	
7	JUNTA CAJA LAMINAS TUBERA EC250 2006 ME250644105 (u. 1)	
8	JUEGO LAMINAS ADMISION ME27000GG-CAB-1 (u. 1)	

**Cilindro**



1	TORN.EXAG.+ARAND 8X35 DELTA PROTEK 10.9 0/000.460.9130 (u. 1)	<b>OBSOLETO</b>
	TORN.EXAG.+ARAND 8X35 T0208035 (u. 1)	
2	CULATA EC 200 2014 ME75000GG-CBT-2 (u. 1) - 200cc	
	CULATA EC 250 2014 ME75000GG-BZX-2 (u. 1) - 250cc	
	CULATA EC300-2014 ME75000GG-CAB-2 (u. 1) - 300cc	
3	JUEGO AROS PISTON TT-300 2835CD ME30916040 (u. 1) - 300cc	
	JUEGO AROS PISTON TT-200 ME20916040 (u. 1) - 200cc	
	JUEGO AROS PISTON TT 250 ME25616040 (u. 1) - 250cc	
4	JUEGO CLIP BULON TT 250 ME25616126 (u. 1)	

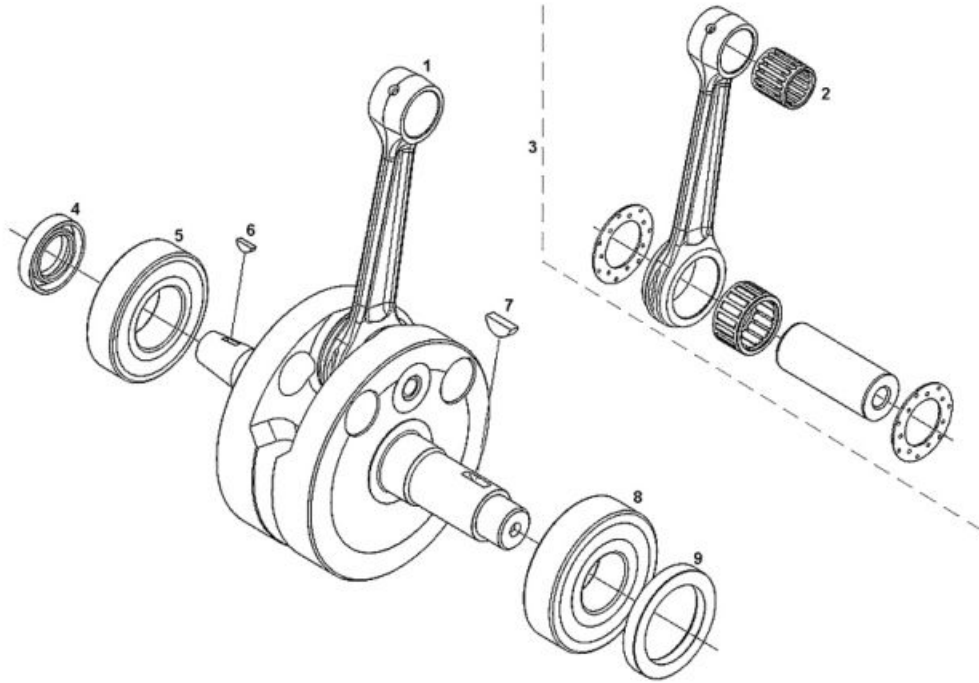
	PISTON TT 200 62.46 B ME20816121 (u. 1) - 200cc	
	PISTON TT 200 62.45 A ME20816020 (u. 1) - 200cc	
	PISTON 300CC C ME30916122R (u. 1) - 300cc	
5	PISTON TT 300 EC-2004 ME300416020 (u. 1) - 300cc	
	PISTON TT 250 66.33 NOIR ME25616020R (u. 1) - 250cc	
	PISTON TT 300 71.95 B ME300416121 (u. 1) - 300cc	
	PISTON 250 ENDURO B ME25616121R (u. 1) - 250cc	
	PISTON 66.35 250 ENDURO C ME25616122R (u. 1) - 250cc	
6	BULON PISTON TT 250 ME25616125 (u. 1)	
7	TORICA CULATA EXT.107.67x1.78 0/000.490.9109 (u. 1)	
	TORICA CULATA EXT.107.67x1.78 ME25916060 (u. 1)	OBSOLETO
8	TORICA CULATA INTER.75.92X1.78 VITON ME30916065 (u. 1)	OBSOLETO
	TORICA CULATA INTER.75.92X1.78 VITON 0/000.490.9111 (u. 1)	
9	TUBO DESV.CARTER (55 cm.) ME25610022 (u. 1)	
10	CIL.EC 250 C.C.2013 ME700002513 (u. 1)	
	CIL.EC 300C.C.2013 ME700003013 (u. 1)	OBSOLETO
	CILINDRO ENDURO 300 2018 ME70000GG-CLJ-1 (u. 1)	
11	TUERCA CIL.8.8 ESP.10/150 C13 =ME2561603 M01613001 (u. 1)	OBSOLETO
	TUERCA DIN 6923 ZINC 8.8 ESP.10/150 C13 0/000.340.9105 (u. 1)	
12	TORN.ESP.+ARAND.5x15 ZI T0205015 (u. 1)	OBSOLETO
	TORN.ESP.+ARAND.5x15 ZI T0205015 (u. 1)	OBSOLETO
	TORN.ESP.+ARAND.5x15 DIN 6921 GEOMET 10.9 0/000.460.9115 (u. 1)	
	TORN.ESP.+ARAND.5x15 DIN 6921 GEOMET 10.9 0/000.460.9115 (u. 1)	
13	TAPA VALV.IZQ.EC 2013 0/000.350.9104 (u. 1)	
	TAPA VALV.IZQ.EC 2013 ME100033013 (u. 1)	OBSOLETO
14	JUNTA TAPA VAL.IZDA.EC 2013 ME440063013 (u. 1)	OBSOLETO
	JUNTA TAPA VAL.IZDA.EC 2013 0/000.490.9113 (u. 1)	
15	JUNTA CIL.0.15 ME25644010 (u. 1)	

	JUNTA BASE CILINDRO 1MM EC 200 ME70050GG-CAY-1 (u. 1)	
16	JUNTA CIL.0.3 ME25644009 (u. 1)	
	JUNTA CIL.2014 ME44000GG-CAB-1 (u. 1)	
17	JUNTA ESCAPE ME25644012 (u. 1)	
	DESVAP.CARTER D.0.50 97 ME25710012 (u. 1)	
18	DESVAP.CARTER D.3=ME25610012 M01032001 (u. 1)	OBSOLETO
	DESVAP.CARTER D.3=ME25610012 0/000.630.9105 (u. 1)	
19	ARANDELA FIBRA 6X10X1.5 0/000.440.9123 (u. 1)	
	ARANDELA FIBRA 6X10X1.5 T4006010 (u. 1)	OBSOLETO
20	TUBERA ESCAPE 2005 ME250516019 (u. 1)	
21	TORN.ESP.6X25 DIN 6921 GEOMET 10.9 VALONA 11MM 0/000.460.9121 (u. 1)	
	TORN.ESP.6X25(10.9) VALONA 11MM T0206025 (u. 1)	OBSOLETO
22	JUNTA TAPA TERMOSTATO EC250-2003 ME250344011 (u. 1)	
23	TAPA TERMOSTATO ENDUCROSS 2003 ME250316001 (u. 1)	
24	TAPA VALV.DCH.EC300 2014 ME72020GG-CAB-1 (u. 1)	OBSOLETO
	TAPA VALV.DCH.EC300 2014 0/000.350.9108 (u. 1)	
25	JUNTA TAPA VALV.DER.4mm ME70055GG-CEQ-1 (u. 1)	OBSOLETO
	JUNTA TAPA VALV.DER.4mm 0/000.490.9117 (u. 1)	
26	ULS TORX 6X14 DIN 7380-1 ZINCADO 10.9 T0566014 (u. 1)	
27	TORICA TUBERA ESCAPE 44X3 FP (viton) BE250526006 (u. 1)	
28	EJE VALV.ESCAP LARGO 93mm. ME25616027 (u. 1)	
29	EJE VALV.ESCAPE CORTO 83mm. ME25616017 (u. 1)	
30	valv.escape central ec 250-300 2015 ME72005GG-CEQ-1 (u. 1) - 250cc / 300cc	
31	VALV.ESCAPE DCH.A.(LARGA) ME25616016 (u. 1)	
32	VALV.ESCAPE IZDA.(CORTA) ME25616014 (u. 1)	
	0/000.460.2000 (u. 1)	
33	ULS 5X10 BN13255 10.9 LAMINAS ZIN. T0505010 (u. 1)	OBSOLETO

34	ARANDELA 5X12X1.5 T4005012 (u. 1)	OBSOLETO
	ARANDELA 5X12X1.5 DIN 125A ZINC 0/000.440.9121 (u. 1)	
35	CTO.PALANCA VALV.ESCAPE EC 2015 ME72320CT-CEQ-1 (u. 1)	OBSOLETO
	CTO.PALANCA VALV.ESCAPE EC 2015 0/000.640.9103 (u. 1)	
36	DIST.COJINETE VALV.ESCAPE ME25616036 (u. 1)	
37	RODAM.BOMBA AGUA 6000C3Z =M03313001 ME25610010 (u. 1)	OBSOLETO
	RODAM.BOMBA AGUA 6000C3Z =M03313001 0/000.960.9107 (u. 1)	
39	ARANDELA DE 8X16X1,5 T4008016 (u. 1)	OBSOLETO
	GUARNIZ. FISSAGGIO TELAIO PARTE POST. 0/000.440.0160 (u. 1)	
40	RODA.EJE CENTRI.Y BOMBA 608.Z.C3 0/000.960.9108 (u. 1)	OBSOLETO
	RODA.EJE CENTRI.Y BOMBA 608.Z.C3 ME25616032 (u. 1)	
41	KIT JUNTAS DE CIL.CULATA 300C.C. ME94620CT-CAB-1 (u. 1) - 300cc	
	KIT JUNTAS DE CIL.CULATA 250C.C. ME94620CT-BZX-1 (u. 1) - 250cc	
	KIT JUNTAS DE CIL.CULATA 250C.C. ME25644101 (u. 1) - 200cc	
42	ALLEN 6X10 8.8 BOB. T0306010 (u. 1)	
43	ARANDELA 6X18X1.5 (DIN 9021) T4006018 (u. 1)	OBSOLETO
	ARANDELA 6X18X1.5 DIN 9021 ZINC 0/000.440.9126 (u. 1)	
45	ARANDELA COBRE 8X12X1,5 TORN.VAC.CAM.PRE T4008012 (u. 1)	OBSOLETO
	ARANDELA COBRE 8X12X1,5 DIN 125 A ISO 7089 0/000.440.9128 (u. 1)	
49	VALV.ESCAPE IZQ.HOMOL. EC 2016 ME72322GG-EKF-1 (u. 1)	OBSOLETO
50	CTO.CILINDRO ENDURO 300 2018 ME70000CT-CLJ-1 (u. 1)	OBSOLETO
	CTO.CILINDRO ENDURO 200 2018 ME70000CT-CLP-1 (u. 1)	OBSOLETO
	CTO.CILINDRO EC 300 2015 ME70000CT-CEQ-1 (u. 1)	OBSOLETO
	CTO.CILINDRO ENDURO 300 2018 0/005.190.9100 (u. 1)	
	CTO.CILINDRO EC250 2015 ME70000CT-CEB-1 (u. 1) - 250cc	
	CTO.CILINDRO EC 200 2015 ME70000CT-CDQ-1 (u. 1)	OBSOLETO
51	ARANDELA COBRE 6X10X1.5 TORN.VAC.AGUA CI T4006008 (u. 1)	OBSOLETO
	ARANDELA COBRE 6X10X1.5 TORN.VAC.AGUA CI 0/000.440.9122 (u. 1)	

52	TUBO RESPIRADERO VALV.S EC-2009 BE733001209 (u. 1)	
53	CTO.VARILLA VALV.ESCAPE COMPLETO EC 2015 ME72325CT-CEQ-1 (u. 1)	OBSOLETO
	CTO.VARILLA VALV.ESCAPE COMPLETO EC 2015 0/000.640.9104 (u. 1)	
55	CTO.VARILLA VALV.ESCAPE COMPLETO EC 2015 ME72325CT-CEQ-1 (u. 1)	OBSOLETO
	CTO.VARILLA VALV.ESCAPE COMPLETO EC 2015 0/000.640.9104 (u. 1)	
56	CTO.VARILLA VALV.ESCAPE COMPLETO EC 2015 ME72325CT-CEQ-1 (u. 1)	OBSOLETO
	CTO.VARILLA VALV.ESCAPE COMPLETO EC 2015 0/000.640.9104 (u. 1)	
57	ALLEN 6X10 8.8 BOB. T0306010 (u. 1)	
	TORNILLO DIN 7984 M 6X10 T0316010 (u. 1)	OBSOLETO
58	CASQUILLO SEPARADOR COJINETE VALV.ESCAPE ME71100GG-CEQ-1 (u. 1)	OBSOLETO
	CASQUILLO SEPARADOR COJINETE VALV.ESCAPE 0/000.480.9124 (u. 1)	

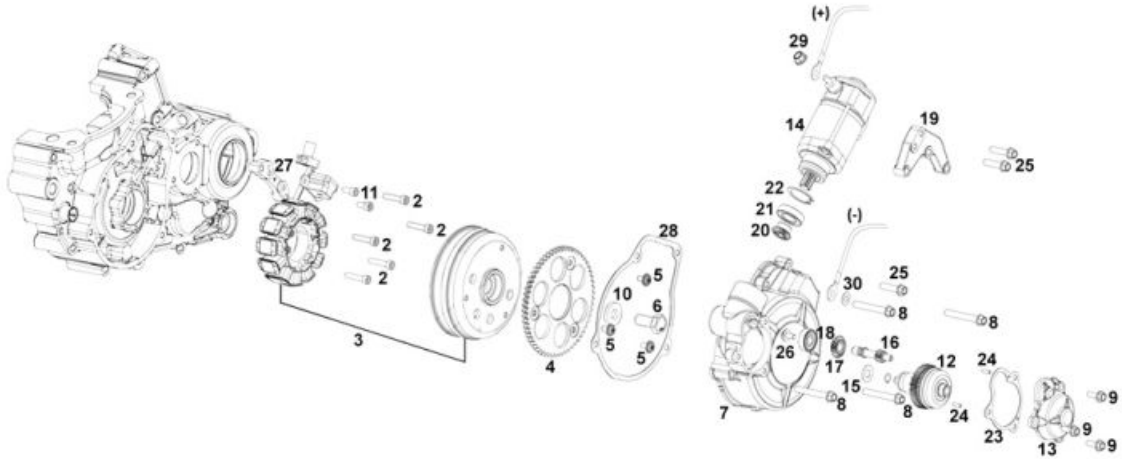
## Cigüeñal



1	CTO.CIGUEÑAL EC 250-300 2014 ME30000CT-CAB-1 (u. 1) - 250cc / 300cc	
2	ROD.RV.18X22X21,8 S PIE DE BIELA ME25616035 (u. 1)	
3	CTO.BIELA ENDURO ME25612100 (u. 1)	
4	RETEN LADO IZ.CIG.TCJ 20x35x6/6.5 0/000.890.9103 (u. 1)	
	RETEN LADO IZ.CIG.TCJ 20x35x6/6.5 ME250112009 (u. 1)	<b>OBSOLETO</b>
5	ROD.CIGÜEÑAL SKF 6206-2RS1TN9/C4VT223 ME310002508 (u. 1)	
6	CHAVETA 3x3.7 D.10 DIN 6888 0/005.490.9102 (u. 1)	
	CHAVETA 3x3.7xD10 TRIAL 2002 MT280234016 (u. 1)	<b>OBSOLETO</b>
7	CHAVETA LADO EMBR.(DIAM 16X5X6.5) DIN 6888 0/005.490.9100 (u. 1)	
	CHAVETA LADO EMBR.(DIAM 16X5X6.5) DIN 68 ME31030GG-CAB-1 (u. 1)	<b>OBSOLETO</b>
8	ROD.CIGÜEÑAL SKF 63/28-2RS1 HN3/C3 GXN ME310012508 (u. 1)	
9	RETEN DCH.O.CIGUEÑAL TB2J 38-52 7 ME250112008 (u. 1)	<b>OBSOLETO</b>
	RETEN DCH.O.CIGUEÑAL TB2J 38-52 7 0/000.890.9102 (u. 1)	



**Generador**

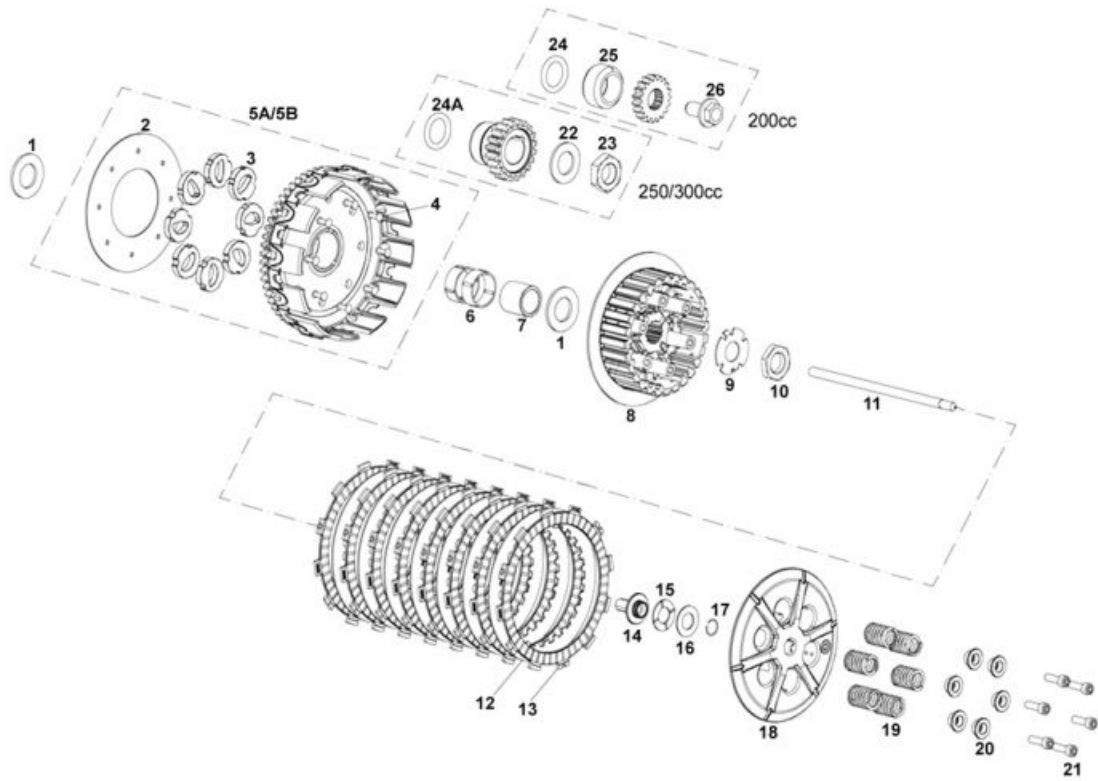


	ALLEN 5X25 DIN 912 DRACOMET 8.8 0/000.460.9146 (u. 1)	
2	ALLEN UFK 5X25 GEOMET 10.9 360 T0315025N (u. 1)	OBSOLETO
	ALLEN 5X25 8.8 DRACOMET T0305025 (u. 1)	OBSOLETO
3	VOL.MAG.N.EC 2014(5011-170-053-540) EE70000CT-CAB-1 (u. 1)	
4	CORONA ARRANQUE ELECTRICO EC 2015 EE80200GG-CBR-2 (u. 1)	OBSOLETO
	CORONA ARRANQUE ELECTRICO EC 2015 0/005.400.9102 (u. 1)	
5	TORX CABEZA ABOM.ARANDELA 5X8 ISO 7380-2 10.9 0/000.460.9154 (u. 1)	
	TORX CABEZA ABOM.ARANDELA 5X8 T0455008 (u. 1)	OBSOLETO
6	TORN.10x25 M125 12.9 NG. T0101025/2 (u. 1)	OBSOLETO
	TORN.10x25 M125 12.9 NG.PIÑON PRIM. T0101025 (u. 1)	
7	TAPA ENCENDIDO EC 2015 ME60100GG-CBR-3 (u. 1)	
8	TORN.ESP.6x40 Fil.20 T0206040 (u. 1)	OBSOLETO
	TORN.ESP.6x40 Fil.20 GEOMET 10.9 0/000.460.9125 (u. 1)	
9	TORN.ESP.+ARAND.5x15 DIN 6921 GEOMET 10.9 0/000.460.9115 (u. 1)	
	TORN.ESP.+ARAND.5x15 ZI T0205015 (u. 1)	OBSOLETO

10	ARANDELA GRUESA 10x23x4 NG. T4001024 (u. 1)	
11	ALLEN 5X10 T0305010 (u. 1)	OBSOLETO
	TORN.UFK 5x10 DRACOMET T0315010 (u. 1)	
	ALLEN 5X10 DIN 912 ZINC 12.9 0/000.460.9145 (u. 1)	
12	CTO.BENDIX EC 2015 EE80110CT-CBR-1 (u. 1)	
13	TAPA BENDIX EC 2015 EE80130GG-CBR-2 (u. 1)	
14	MOTOR ARRAN.ELEC.EC 2015 PHI50mm 0/005.480.9100 (u. 1)	
	MOTOR ARRAN.ELEC.EC 2015 PHI50mm EE80000GG-CBR-2 (u. 1)	OBSOLETO
15	ARAN.CENTRIF.08.1X17X0.2 =ST950705 ME25616070 (u. 1)	
16	EJE ARRANQUE ELECTRICO Z10 M0.8 0/005.400.9101 (u. 1)	
	EJE ARRANQUE ELECTRICO Z10 M0.8 EE80120GG-CBR-4 (u. 1)	OBSOLETO
17	KIT PIÑONES HELECOIDALES ARRANQUE ELECTRICO EC EE80116CT-CBR-1 (u. 1)	
	PIÑON HELECOIDAL CONICO (ZONA EJE) EE80117GG-CBR-1 (u. 1)	
18	RODA.EJE CENTRI.Y BOMBA 608.Z.C3 0/000.960.9108 (u. 1)	
	RODA.EJE CENTRI.Y BOMBA 608.Z.C3 ME25616032 (u. 1)	OBSOLETO
19	SOPORTE MOTOR ARRANQUE ELECTRICO EC 2015 EE80050GG-CBR-3 (u. 1)	OBSOLETO
	SOPORTE MOTOR ARRANQUE ELECTRICO EC 2015 0/000.980.9111 (u. 1)	
20	KIT PIÑONES HELECOIDALES ARRANQUE ELECTRICO EC EE80116CT-CBR-1 (u. 1)	
	PIÑON HELECOIDAL CONICO(ZONA M.ARRANQUE) EE80116GG-CBR-1 (u. 1)	
21	COJINETE 61902-2ZC4 EE80070GG-CBR-1 (u. 1)	
22	SEEGER DIN-472-DIAM 28X1.2 EE80055GG-CBR-1 (u. 1)	
23	AGUJA DIN5402-3 TIPO BF DIAM-3X9.8 PLANA EE80140GG-CBR-1 (u. 1)	
24	TORN.ESP.6x40 Fil.20 T0206040 (u. 1)	OBSOLETO
	TORN.ESP.6x40 Fil.20 GEOMET 10.9 0/000.460.9125 (u. 1)	
25	TORN.ESP.6X25 DIN 6921 GEOMET 10.9 VALONA 11MM 0/000.460.9121 (u. 1)	
	TORN.ESP.6X25(10.9) VALONA 11MM T0206025 (u. 1)	OBSOLETO
26	TORX M5X12PASO 0.8 CAB. ABOMBADA ARAND. 051208BB (u. 1)	

27	ADAPTADOR PULSADOR HIDRIA EC 2014 V2 0/000.980.9109 (u. 1)	
	ADAPTADOR PULSADOR HIDRIA EC 2014 V2 EE70216GG-CAB-2 (u. 1)	<b>OBSOLETO</b>
28	JUNTA TAPA VOLANTE EC 2014 ME94500GG-CAB-1 (u. 1)	
29	TUERCA+ARAN.M-6 (DIN 6923) ESTR. T2206000 (u. 1)	<b>OBSOLETO</b>
	TUERCA+ARAN.M-6 ESTR. DIN 6923 ZINC 8 0/000.340.9116 (u. 1)	
30	ARANDELA PLANA 6X12X1.5 (DIN 125) T4006012 (u. 1)	<b>OBSOLETO</b>
	ARANDELA PLANA 6X12X1.5 DIN 125 ZINC 0/000.440.9124 (u. 1)	

**Embrague**

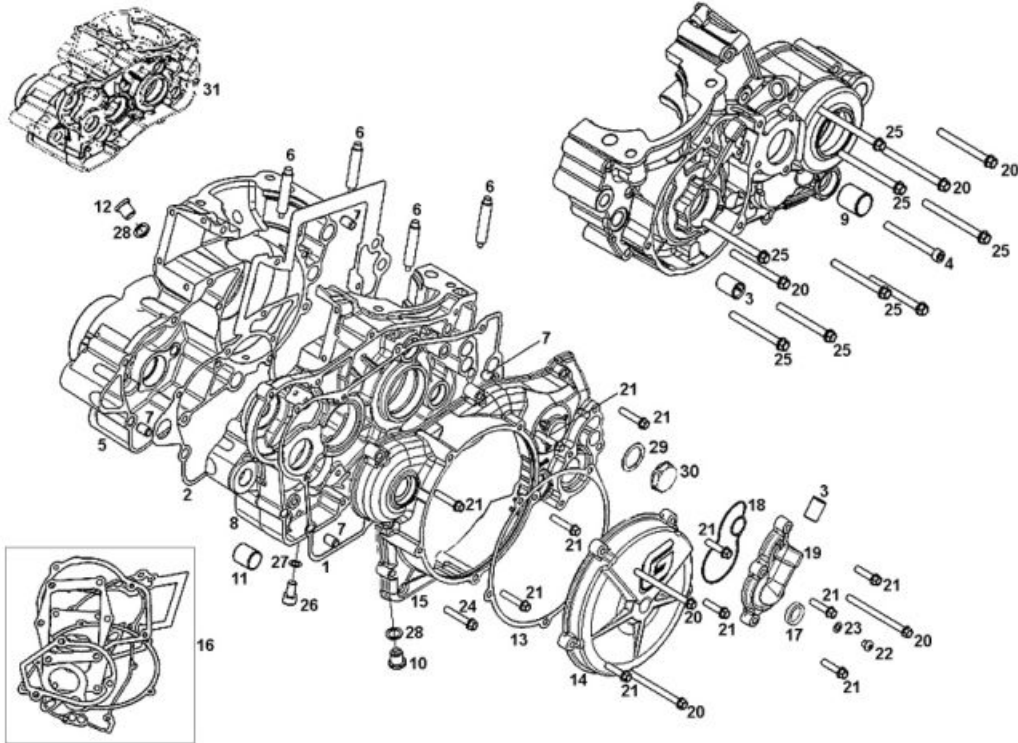


1	ARAN.CAMPANA EMBRAG.22.1X42X2.8 0/000.440.9106 (u. 1)	
	ARAN.CAMPANA EMBRAG.22.1X42X2.8 ME25632011 (u. 1)	<b>OBSOLETO</b>
2	ARANDELA CORONA EMBR. ME20932009 (u. 1)	
3	GOMA SILENBLOC C4015/115 EMBR.3376 ME20932008 (u. 1)	
4	REMACHE CAMPANA EMBR. ME250132010 (u. 1)	
5	CTO.CORONA EMBR.ENDURO 200 ME20932003CT (u. 1)	<b>OBSOLETO</b>
	CTO.CORONA EMBR.ENDURO 250-300 2014 ME21000CT-CAB-1 (u. 1)	<b>OBSOLETO</b>
	CTO.CORONA-PIÑON EMBR.ENDURO 250-300 2014 0/005.400.9104 (u. 1)	
	CTO.CORONA EMBR.ENDURO 200 0/005.400.9103 (u. 1)	
6	COJI.CAMP.EMB.K28X33X13FV-M1 M3 ME25632029 (u. 1)	<b>OBSOLETO</b>
	COJI.CAMP.EMB.K28X33X13FV-M1 M3 0/000.980.9113 (u. 1)	
7	CASQ.CAMPANA EMBR. ME25632012 (u. 1)	<b>OBSOLETO</b>
	CASQ.CAMPANA EMBR. 0/000.480.9121 (u. 1)	
8	CTO.CUBO EMBR.ENDURO 2018 ME22005CT-CLJ-1 (u. 1)	<b>OBSOLETO</b>
	CTO.CUBO EMBR.ENDURO 2018 0/005.350.9100 (u. 1)	

9	ARANDELA PRECINTO EMBR. ME25632022 (u. 1)	
10	TUERCA FIJ.CUBO EMB. 0/000.340.9107 (u. 1)	
	TUERCA FIJ.CUBO EMB. ME25632028 (u. 1)	OBSOLETO
11	VARILLA EMBR. ME25632040 (u. 1)	OBSOLETO
	VARILLA EMBR. 0/000.190.9105 (u. 1)	
12	DISCO EMB.HIERRO 272M44 ME25632037 (u. 1)	
13	DISCOS EMB.FORRADO 7138 ME25632007 (u. 1)	
14	CASQ.PREMSA EMBR.EC 2014 (CLUTCH PIN) ME23100GG-CAB-1 (u. 1)	OBSOLETO
	CASQ.PREMSA EMBR.EC 2014 (CLUTCH PIN) 0/000.480.9120 (u. 1)	
15	JAULA AGUJA VALV.ESCAPE AXK 1528 0/000.960.9109 (u. 1)	
	JAULA AGUJA VALV.ESCAPE AXK 1528 ME25632046 (u. 1)	OBSOLETO
16	PLACA AGUJA ROD.BOLET Y VAL.ESCAPE AS 15 0/000.440.9107 (u. 1)	
	PLACA AGUJA ROD.BOLET Y VAL.ESCAPE AS 15 ME25632016 (u. 1)	OBSOLETO
17	ANILLO PREMSA EMBR. DIN7993 Ø14X1 0/000.300.9102 (u. 1)	
	ANILLO PREMSA EMBR.2014 (DIN7993 Ø14X1) ME23150GG-CAB-1 (u. 1)	OBSOLETO
18	PREMSA EMBR.EC 2012 ME20000003011 (u. 1)	
19	MUELLE EMBR.TT ME25632015 (u. 1)	
20	CASQ.MUELLE EMBR.ALUMINIO ME250032020 (u. 1)	
21	TORN.ESP.6x20 10.9 ZINC.(CEX) T0206020 (u. 1)	OBSOLETO
	ALLEN 6X20 12.9 T0306020 (u. 1)	
	TORN.ESP.6x20 DIN 6921 GEOMET 10.9 0/000.460.9120 (u. 1)	
22	ARANDELA DIN 125 PULIDA D-20 ZINC 40-42HRC 0/000.440.9108 (u. 1)	
	ARAN.BISEL.D.20 / 125-B-M 5.6 PULIDA PIÑ ME25632019 (u. 1)	OBSOLETO
23	TUERCA BLOCAJE PIÑON CIGUEÑAL EC-2000 ME250032018 (u. 1)	OBSOLETO
	TUERCA BLOCAJE PIÑON CIGUEÑAL EC-2000 0/000.340.9106 (u. 1)	
24	TORICA PIÑON PRIM.EMBR.(Ø23*5 NBR) ME21180GG-CAB-1 (u. 1)	OBSOLETO
	TORICA PIÑON PRIM.EMBR.(Ø23*5 NBR) 0/000.490.9106 (u. 1)	
	JUNTA TORICA 20X1 ST950207 (u. 1)	OBSOLETO

25	CASQ.CIGUEÑAL 25X38X20 ME200512014 (u. 1)	OBSOLETO
	CASQ.CIGUEÑAL 25X38X20 0/000.480.9127 (u. 1)	
26	TORN.ESP.12X25X1.25 FIL.20 12.9 GEOMET 0/000.460.9114 (u. 1)	
	TORN.ESP.12X25X1.25 FIL.20 12.9 T02012025 (u. 1)	OBSOLETO

**Cárter de motor**

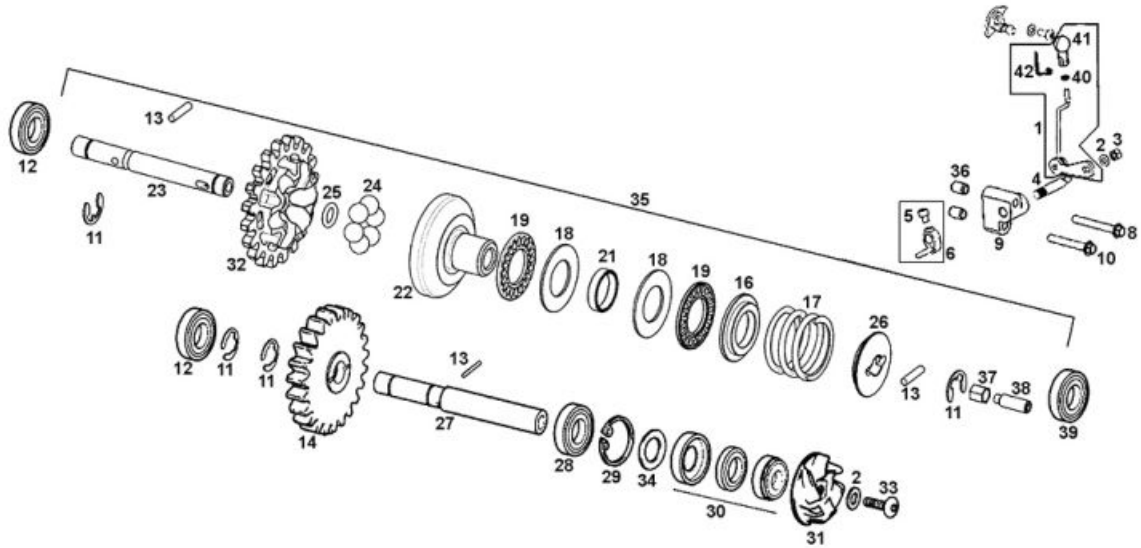


1	JUNTA TAPA EMBR.0.5mm ME25644002 (u. 1)	<b>OBSOLETO</b>
	JUNTA TAPA EMBR.0.5mm 0/000.490.9108 (u. 1)	
2	JUNTA CARTER 2014 ME94000GG-CAB-1 (u. 1)	
3	RACORD ENTRADA AGUA 0/000.480.9123 (u. 1)	
	RACORD ENTRADA AGUA ME57015GG-CAB-1 (u. 1)	<b>OBSOLETO</b>
4	ALLEN 6X60 12.9 T0306060 (u. 1)	<b>OBSOLETO</b>
	ALLEN 6X60 DIN 912 ZINC 12.9 0/000.460.9150 (u. 1)	
6	ESPARRAGO CIL. 0/000.280.9100 (u. 1)	
	ESPARRAGO CIL. ME25616023 (u. 1)	<b>OBSOLETO</b>
7	CASQ.CENTRADOR CARTER 6X9X14 =ME25610018 0/000.480.9119 (u. 1)	
	CASQ.CENTRADOR CARTER 6X9X14 =ME25610018 M01017000 (u. 1)	<b>OBSOLETO</b>
9	GLACIER PEDAL FRENO 1215PD10 0/000.480.9117 (u. 1)	
	GLACIER PEDAL FRENO 1215PD10 C200101 (u. 1)	<b>OBSOLETO</b>
10	TAPON VACIADO ACEITE+IMAN ME25610017 (u. 1)	

11	GLACIER PEDAL DAP 1212PD BE25610009 (u. 1)	OBSOLETO
	GLACIER PEDAL DAP 1212PD 0/000.480.9105 (u. 1)	
12	TAP.LLENADO ACEITE =ME25610016 M01016002 (u. 1)	
	TAPON VACIADO ACEITE+IMAN ME25610017 (u. 1)	
13	JUNTA TAPA DISCOS 2014 0/000.490.9104 (u. 1)	OBSOLETO
	JUNTA TAPA DISCOS 2014 ME22015GG-CAB-1 (u. 1)	
14	TAPA DISCOS EMBRAGUE GRIS ME22010GG-CLJ-1 (u. 1)	OBSOLETO
	TAPA DISCOS EMBRAGUE GRIS 0/000.350.9105 (u. 1)	
15	TAPA EMBRAGUE EC 2015 ME65000CT-CEQ-2 (u. 1)	
16	KIT JUNTAS 200-250-300 2014 ME94610CT-CAB-1 (u. 1)	
17	VISOR NIVEL ACEITE EC400-4T 0/000.410.9106 (u. 1)	OBSOLETO
	VISOR NIVEL ACEITE EC400-4T MFS400110015 (u. 1)	
18	JUNTA TAPA BOMBA AGUA 2014 ME57010GG-CAB-1 (u. 1)	OBSOLETO
	JUNTA TAPA BOMBA AGUA 2014 0/000.490.9115 (u. 1)	
19	TAPA BOMBA AGUA EC-2014 ME57000GG-CAB-1 (u. 1)	OBSOLETO
	TAPA BOMBA AGUA GRIS ME57000GG-CLJ-1 (u. 1)	
	TAPA BOMBA AGUA GRIS 0/000.350.9106 (u. 1)	
	TAPA BOMBA AGUA 0/000.220.9124 (u. 1)	
	TAPA BOMBA AGUA 0/000.220.9124 (u. 1)	
20	TORN.ESP.6X75 DELTA PROTEK 12.9 0/000.460.9129 (u. 1)	OBSOLETO
	TORN.ESP.6X75 10.9 DRACOMET T0206075 (u. 1)	
21	TORN.ESP.6X25 DIN 6921 GEOMET 10.9 VALONA 11MM 0/000.460.9121 (u. 1)	OBSOLETO
	TORN.ESP.6X25(10.9) VALONA 11MM T0206025 (u. 1)	
22	ULS 6x8 ISO 7380-1 ZINC 12.9 T0506008 (u. 1)	
23	ARANDELA FIBRA 6X10X1.5 T4006010 (u. 1)	OBSOLETO
	ARANDELA FIBRA 6X10X1.5 0/000.440.9123 (u. 1)	
24	TORN.ESP.6x50 Fil.20 10.9 T0206050 (u. 1)	OBSOLETO
	TORN.ESP.6x50 Fil.20 DIN 6921 GEOMET 10.9 0/000.460.9126 (u. 1)	



25	TORN.ESP.6x60 Fil.20 10.9 T0206060 (u. 1)	OBSOLETO
	TORN.ESP.6x60 Fil.20 DELTA PROTEK 10.9 0/000.460.9128 (u. 1)	
26	ALLEN 8X14 T0308014 (u. 1)	
27	ARANDELA COBRE 8X12X1,5 DIN 125 A ISO 7089 0/000.440.9128 (u. 1)	OBSOLETO
	ARANDELA COBRE 8X12X1,5 TORN.VAC.CAM.PRE T4008012 (u. 1)	
28	ARANDELA TIPO BUJIA 12X18X2 0/000.440.9114 (u. 1)	OBSOLETO
	ARANDELA TIPO BUJIA 12X18X2 MT280410030 (u. 1)	
29	Torica 20 x 1.5 NBR 70 0/000.490.9116 (u. 1)	OBSOLETO
	Torica 20 x 1.5 NBR 70 ME65110GG-CEQ-1 (u. 1)	
30	TAPON REGLAJE CENTRIFUGO 0/000.410.9105 (u. 1)	OBSOLETO
	TAPON REGLAJE CENTRIFUGO ME65100GG-CEQ-1 (u. 1)	
31	CTO.CARTER EC 200 2014 ME10000CT-CBT-1 (u. 1) - 200cc	
	CONJUNTO CARTER EC250 2014 ME10000CT-CAB-1 (u. 1) - 250cc / 300cc	

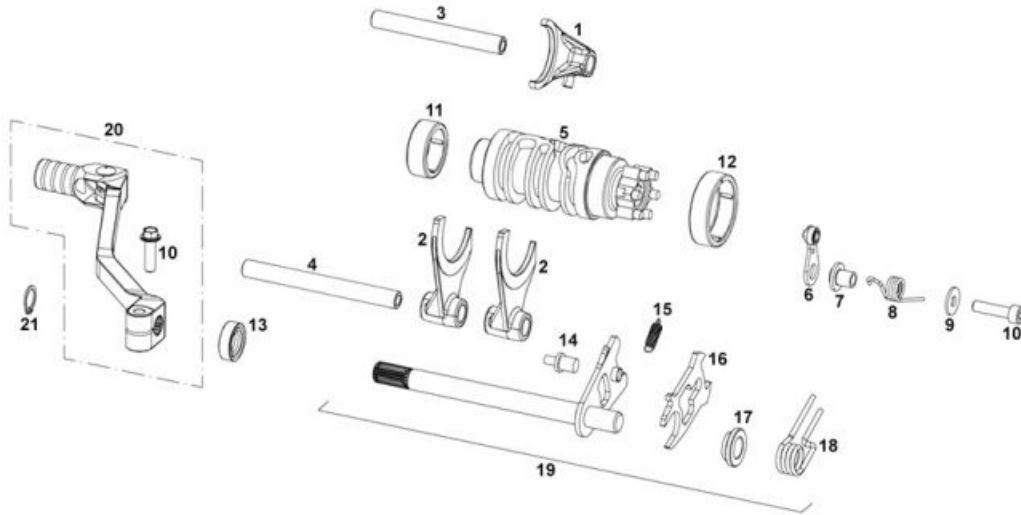
**Bomba agua**


1	CTO.VARILLA VALV.ESCAPE COMPLETO EC 2015 0/000.640.9104 (u. 1)	
	CTO.VARILLA VALV.ESCAPE COMPLETO EC 2015 ME72325CT-CEQ-1 (u. 1)	<b>OBSOLETO</b>
2	ARANDELA 5X12X1.5 DIN 125A ZINC 0/000.440.9121 (u. 1)	
	ARANDELA 5X12X1.5 T4005012 (u. 1)	<b>OBSOLETO</b>
3	TUERCA AUTOBL. M-5 BAJA DIN-985 ZINC 8 0/000.340.9112 (u. 1)	
	TUERCA AUTOBL.DIN-985 M-5 ZN BAJA T2105000 (u. 1)	<b>OBSOLETO</b>
4	EJE PALANCA CENTRIFUGO 0/000.190.9108 (u. 1)	
	EJE PALANCA CENTRIFUGO ME59035GG-CEQ-1 (u. 1)	<b>OBSOLETO</b>
5	ALLEN 5 X 6 (12.9) T0305006 (u. 1)	
6	CTO.PALANCA SALIDA CENTRIF. EC 300 2011 0/005.490.9101 (u. 1)	
	CTO.PALANCA SALIDA CENTRIF. EC 300 2011 ME59045CT-CEQ-1 (u. 1)	<b>OBSOLETO</b>
8	TORN.ESP.6x60 Fil.20 10.9 T0206060 (u. 1)	<b>OBSOLETO</b>
	TORN.ESP.6x60 Fil.20 DELTA PROTEK 10.9 0/000.460.9128 (u. 1)	
9	SOPORTE EJE MANDO VALVULA EC 2015 0/000.980.9115 (u. 1)	
	SOPORTE EJE MANDO VALVULA EC 2015 ME59040GG-CEQ-1 (u. 1)	<b>OBSOLETO</b>

10	TORN.ESP.6x40 Fil.20 GEOMET 10.9 0/000.460.9125 (u. 1)	
	TORN.ESP.6x40 Fil.20 T0206040 (u. 1)	OBSOLETO
11	SEEGER DIN 6799 E-7 0/000.300.9103 (u. 1)	
	SEEGER DIN 6799 E-7 ME25616024 (u. 1)	OBSOLETO
12	RODA.EJE CENTRI.Y BOMBA 608.Z.C3 ME25616032 (u. 1)	OBSOLETO
	RODA.EJE CENTRI.Y BOMBA 608.Z.C3 0/000.960.9108 (u. 1)	
13	RODILLO 3X14 BOMBA AGUA CENTRI. ME25616028 (u. 1)	OBSOLETO
	RODILLO 3X14 .DIN 7 ISO 2338 INOX A1 BOMBA AGUA CENTRIFUGO 0/000.280.9101 (u. 1)	
14	PIÑON BOMBA AGUA Y CENTRI. ME25610005 (u. 1)	OBSOLETO
	PIÑON BOMBA AGUA Y CENTRI. 0/005.400.9111 (u. 1)	
16	RETEN RESORTE ME59026GG-CEQ-1 (u. 1) - 250cc / 300cc	
	RETEN RESORTE ME59026GG-CDQ-1 (u. 1) - 200cc	
17	MUELLE CENTRIFUGO VALV.ESC.99 ME25916026 (u. 1) - 250cc / 300cc	
18	PLACA AGUJA ROD.BOLET Y VAL.ESCAPE AS 15 0/000.440.9107 (u. 1)	
	PLACA AGUJA ROD.BOLET Y VAL.ESCAPE AS 15 ME25632016 (u. 1)	OBSOLETO
19	JAULA AGUJA VALV.ESCAPE AXK 1528 0/000.960.9109 (u. 1)	
	JAULA AGUJA VALV.ESCAPE AXK 1528 ME25632046 (u. 1)	OBSOLETO
21	PLACA AGUJA ROD.BOLET Y VAL.ESCAPE AS 15 0/000.440.9107 (u. 1)	
	PLACA AGUJA ROD.BOLET Y VAL.ESCAPE AS 15 ME25632016 (u. 1)	OBSOLETO
22	CAMPANA CENTRIFUGO EC 2015 ME59030GG-CEQ-1 (u. 1)	
23	EJE CENTRIFUGO EC 2015 ME59015GG-CEQ-1 (u. 1)	
24	BOLA CENTRIFUGO EMB.DE 8 m/m. ME25616033 (u. 1)	
25	TORICA 6X2 EJE CENTR.VAL.ESCAPE ME25616045 (u. 1)	
26	ARAMDELA APYO MUELLE EC 300 2015 ME59025GG-CEQ-1 (u. 1) - 250cc / 300cc	
	ARANDELA DE APOYO MUELLE EC 200 2015 ME59025GG-CDQ-1 (u. 1) - 200cc	
27	EJE PIÑON BOMBA AGUA 0/000.190.9104 (u. 1)	
	EJE PIÑON BOMBA AGUA ME25610006 (u. 1)	OBSOLETO

28	RODAM.BOMBA AGUA 6000C3Z =M03313001 0/000.960.9107 (u. 1)	
	RODAM.BOMBA AGUA 6000C3Z =M03313001 ME25610010 (u. 1)	OBSOLETO
29	SEEGER INT.26 B.AGUA=M03314012 DIN 472-I26 ME25636065 (u. 1)	OBSOLETO
	SEEGER D.26 DIN 472-I26 0/000.300.9106 (u. 1)	
30	RETEN BOMBA AGUA (ESTOPADA) 1510 CA/CE 1 ME25610011 (u. 1)	OBSOLETO
	RETEN BOMBA AGUA (ESTOPADA) 1510 CA/CE 1 0/000.890.9104 (u. 1)	
31	TURBINA BOMBA AGUA 2014 ME56000GG-CAB-1 (u. 1)	OBSOLETO
	TURBINA BOMBA AGUA 2014 0/005.220.9100 (u. 1)	
32	PIÑÓN CENTRIFUGO EC 300 2015 ME59050GG-CEQ-1 (u. 1)	
33	TORNILLO ULS 6X16 ISO 7380-1 ZINC 12.9 T0506016 (u. 1)	
34	ARANDELA 25.8x17.5x0.5 BOMBA AGUA M03625000 (u. 1)	OBSOLETO
	ARANDELA 25.8x17.5x0.5 BOMBA AGUA 0/000.440.9103 (u. 1)	
35	CENTRIFUGO COMPLETO EC 300 2015 0/000.640.9101 (u. 1)	
	CENTRIFUGO COMPLETO EC 300 2015 ME59000CT-CEQ-1 (u. 1)	OBSOLETO
	CENTRIFUGO COMPLETO EC 200 2015 ME59000CT-CDQ-1 (u. 1) - 200cc	
36	CASQ.CENTRADOR CARTER 6X9X14 =ME25610018 M01017000 (u. 1)	OBSOLETO
	CASQ.CENTRADOR CARTER 6X9X14 =ME25610018 0/000.480.9119 (u. 1)	
37	TUERCA HEXAGONAL 6 M5 T2706050 (u. 1)	
38	TORNILLO DE AJUSTE HEXA.INT.M5X16 T0325016 (u. 1)	
39	RODAMIENTO BOL. 619/8-ZZ ME21500GG-CEQ-1 (u. 1)	OBSOLETO
	RODAMIENTO BOL. 619/8-ZZ 0/000.960.9105 (u. 1)	
41	CTO.VARILLA VALV.ESCAPE COMPLETO EC 2015 ME72325CT-CEQ-1 (u. 1)	OBSOLETO
	CTO.VARILLA VALV.ESCAPE COMPLETO EC 2015 0/000.640.9104 (u. 1)	
42	CLIP DE SEGURIDAD ROTULA ME72326GG-CEQ-1 (u. 1)	OBSOLETO
	CLIP DE SEGURIDAD ROTULA 0/000.840.9103 (u. 1)	

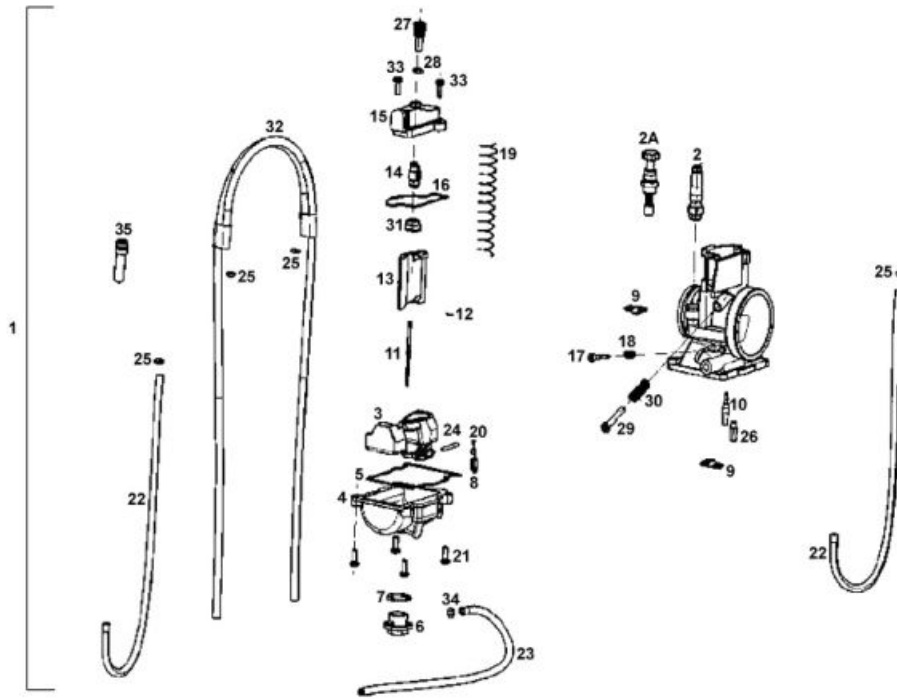
**Eje de cambio**



1	HORQ.5-6 0/005.330.9101 (u. 1)	
	HORQ.5-6 ME25636009 (u. 1)	<b>OBSOLETO</b>
2	HORQ.1-2-3-4 ME25636008 (u. 1)	<b>OBSOLETO</b>
	HORQ.1-2-3-4 0/005.330.9100 (u. 1)	<b>OBSOLETO</b>
3	EJE HORQ.CORTO ME25636045 (u. 1)	<b>OBSOLETO</b>
	EJE HORQ.CORTO 0/000.190.9107 (u. 1)	<b>OBSOLETO</b>
4	EJE HORQ.LARGO ME25636044 (u. 1)	<b>OBSOLETO</b>
	EJE HORQ.LARGO 0/000.190.9106 (u. 1)	<b>OBSOLETO</b>
5	DESMODROMICO EC-2005 0/005.090.9100 (u. 1)	
	DESMODROMICO EC-2005 ME250536031 (u. 1)	<b>OBSOLETO</b>
6	FIJADOR MARCHAS EC COMP. 0/005.560.9100 (u. 1)	
	FIJADOR MARCHAS EC COMP. ME250036033CT (u. 1)	<b>OBSOLETO</b>
7	CASQU.PLATINA FIJ.MARCHAS 0/000.480.9122 (u. 1)	
	CASQU.PLATINA FIJ.MARCHAS ME25636047 (u. 1)	<b>OBSOLETO</b>

8	MUELLE FIJADOR MARCHAS EC-2000 ME250036034 (u. 1)	OBSOLETO
	MUELLE FIJADOR MARCHAS EC-2000 0/000.470.9108 (u. 1)	
9	ARANDELA PLANA 6.5X16X1.5 DIN 125 ZINC 0/000.440.9125 (u. 1)	OBSOLETO
	ARANDELA PLANA 6.5X16X1.5 T4006016 (u. 1)	
10	TORN.ESP.6X25(10.9) VALONA 11MM T0206025 (u. 1)	OBSOLETO
	TORN.ESP.6X25 DIN 6921 GEOMET 10.9 VALONA 11MM 0/000.460.9121 (u. 1)	
11	RODAM.DESMODROMICO HK2512 =M03645000 0/000.960.9111 (u. 1)	OBSOLETO
	RODAM.DESMODROMICO HK2512 =M03645000 ME25636055 (u. 1)	
12	ROD.DESMO.HK3512=M03650000 0/000.960.9110 (u. 1)	OBSOLETO
	ROD.DESMO.HK3512=M03650000 ME25636054 (u. 1)	
13	RETEN SELEC.12-22-7 AS-CC =M03821000 ME25636048 (u. 1)	OBSOLETO
	RETEN SELEC.12-22-7 AS-CC =M03821000 0/000.890.9107 (u. 1)	
14	TORN.CENTR.MUELLE SELEC. 0/000.460.9110 (u. 1)	OBSOLETO
	TORN.CENTR.MUELLE SELEC. ME25636042 (u. 1)	
15	MUELLE ESCORPION 250.TT. ME25636039 (u. 1)	
16	ESCORPION EC250-2002 ME250236036 (u. 1)	
17	DOLLA CENTRADOR ESCORPION EC250-2002 ME250236041 (u. 1)	
18	MUELLE SELEC. ME25636035 (u. 1)	
19	EJE SELEC.COMP.EC250 0/005.010.9100 (u. 1)	OBSOLETO
	EJE SELEC.COMP.EC250 ME250236038CT (u. 1)	
20	CTO.PEDAL CAMBIO RF 2014 ME49000CT-CDH-1 (u. 1)	OBSOLETO
	CTO.PEDAL CAMBIO RF 2014 0/005.430.9100 (u. 1)	
21	SEEGER 12X1 DIN 471 0/000.300.9104 (u. 1)	OBSOLETO
	SEEGER 12X1 EXT.EJE SELEC. ME25636043 (u. 1)	

**Carburador**



1	CARB.KEIHIN PWKS DIAM.38 SIN TPS EC-2012 BE780003012 (u. 1)	<b>OBSOLETO</b>
2	MANDO ESTARTER 1166-818-2101 ME25690011 (u. 1)	
3	PERILLA AHOGADOR ME25000173012 (u. 1)	
4	BOYA FLOTADOR 1052-856-2101 ME25000183012 (u. 1)	
5	CUBETA FLOTADOR 1050-898-2102 ME25000193012 (u. 1)	
6	JUNTA CUBETA FLOTADOR 1051-KZ40-0001 ME25000203012 (u. 1)	
7	TAP.CUBETA 1018-ND4-7511 ME25690015 (u. 1)	
8	TORICA TAP.CUBETA 16173-001-0040 ME25690016 (u. 1)	
9	AGUJA FLOTADOR 1062-814-2103 ME25690017 (u. 1)	
10	SUJECCIÒN TUBO RESPIRADERO 1531-KZ4H-690 ME25000223012 (u. 1)	
	CHICLE RALENTI 45 ME25690045 (u. 1)	<b>OBSOLETO</b>
	CHICLE RALENTI 35 (N424-21035) ME25690035 (u. 1)	<b>OBSOLETO</b>
	CHICLE RALENTI 42 N424-21042 ME25690042 (u. 1)	
	CHICLE RALENTI 35 (N424-21035) 0/005.991.9100 (u. 1)	

	AGUJA NOZI 125CC N427-OZI00 ME120690434 (u. 1)	OBSOLETO
	AGUJA KEIHIN N1EE (N427-1EE00) ME250290427 (u. 1) - 250cc / 300cc	
	AGUJA KEIHIN N1EF 0/005.150.9100 (u. 1)	
11	AGUJA KEIHIN N1EF ME250190429 (u. 1)	OBSOLETO
	AGUJA NOZH N427-OZH00 ME120690435 (u. 1) - 200cc	
	AGUJA N427-48CHN ME25690428 (u. 1)	
	AGUJA KEIHIN N1EG (N427-1EG00) ME250290428 (u. 1) - 250cc / 300cc	
12	CLIP AGUJA 16115-169-0040 ME25690021 (u. 1)	
	COMPUERTA N°7 N502-66F00 ME25000233012 (u. 1)	OBSOLETO
13	COMPUERTA N°7 N502-66F00 0/005.150.9103 (u. 1)	
	COMPUERTA N°6 KEIHIN ME120490022 (u. 1)	OBSOLETO
14	TAP.COMPUERTA 1030-A92A-0000 ME25000243012 (u. 1)	
15	TAP.COMPUERTA 1030-A92A-0000 ME25000243012 (u. 1)	
16	JUNTA TORICA TAP.COMPUERTA 1202-882-6000 ME25000253012 (u. 1)	
17	TORN.REGUL. ME25000263012 (u. 1)	
18	MUELLE TORN.REGUL.AIRE 1300-416H-9900 ME25000273012 (u. 1)	
19	MUELLE COMPUERTA 1290-A53-2000 ME25000283012 (u. 1)	
20	CLIP NIVEL FLOTADOR 0405-019-1000 ME25690027 (u. 1)	
21	TORN.CUBETA 93500-04014-1H ME25000293012 (u. 1)	
22	TUBO RESPIRADERO 0803-868-0000 ME25000303012 (u. 1)	
23	TUBO RESPIRADERO-2 0803-869-0000 ME25000313012 (u. 1)	
24	EJE FLOTADOR W9525-25250 ME25690033 (u. 1)	
25	CLIP TUBO RESPIRADERO W9535-35000 ME25690034 (u. 1)	
	CHICLE ALTA 175 (99101-357-1750) ME25690175 (u. 1)	
26	CHICLE ALTA 115 (99101-357-1150) ME25690115 (u. 1)	
27	TENSOR CABLE W9581-59250 ME25000323012 (u. 1)	
28	TUERCA TENSOR CABLE 1793-130H-9900 ME25000333012 (u. 1)	OBSOLETO
29	TORN.REGUL.RALENTI 1034-853-2000 ME25690038 (u. 1)	



<b>30</b>	MUELLE TORN.REG.1290-963-2000 ME25690039 (u. 1)
<b>31</b>	CASQ.MUELLE COMP.1118-929-7000 ME25690040 (u. 1)
<b>32</b>	TUBO VENTILACIÒN 0803-862-0100 ME25000343012 (u. 1)
<b>33</b>	TORN.TAP.COMPUERTA ME25000353012 (u. 1)
<b>34</b>	CLIP TUBO RESPIRADERO-2 W9535-25000 ME25000363012 (u. 1)
<b>35</b>	CTO.TOPE MANDO DE GAS CARBURADOR 2006 ME250690010 (u. 1)