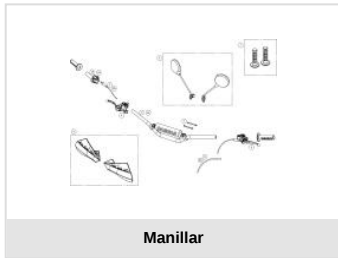


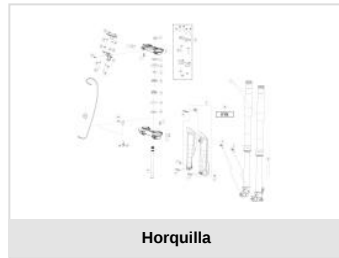


# ENDURO GP 300cc 2018

## Exploded



**Manillar**



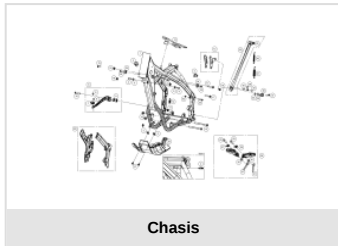
**Horquilla**



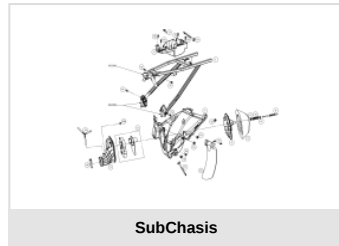
**Repuestos Horquilla**



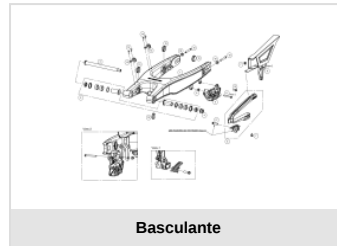
**Herramientas KYB**



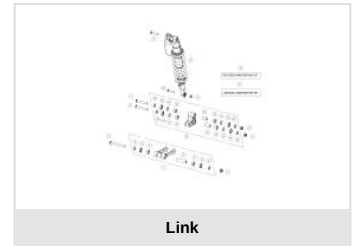
**Chasis**



**SubChasis**



**Basculante**



**Link**



**Amortiguador**



**Radiador**



**Parte Eléctrica**



**Guardabarros delantero**



**Faro Delantero**



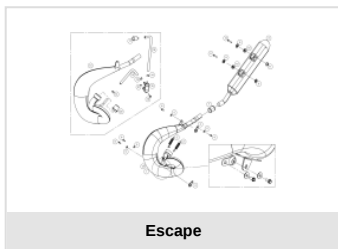
**Depósito**



**Plástica Trasera**



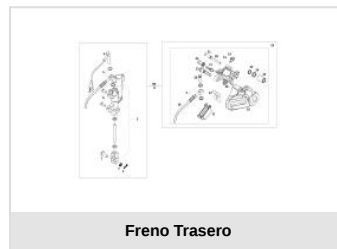
**Adhesivos**



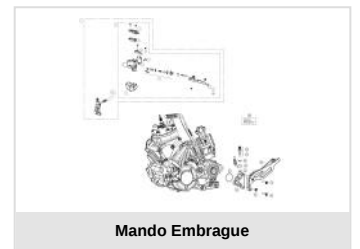
**Escape**



**Freno Delantero**



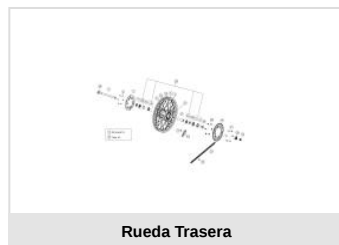
**Freno Trasero**



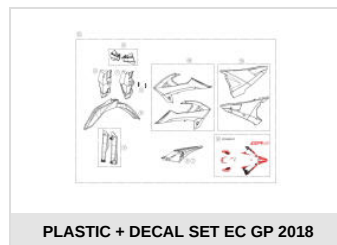
**Mando Embrague**



**Rueda Delantera**

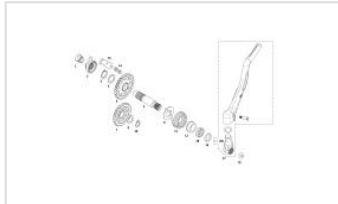


**Rueda Trasera**

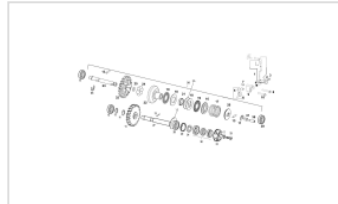


**PLASTIC + DECAL SET EC GP 2018**

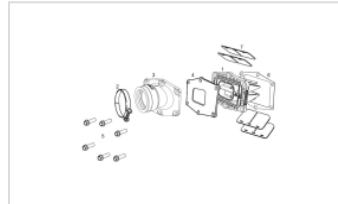
**ENDURO GP 2T 2018 - Engine**



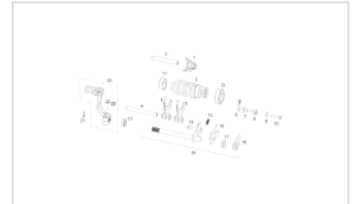
**Palanca de arranque**



**Bomba de agua**



**Válvula de láminas**



**Eje de Cambio**



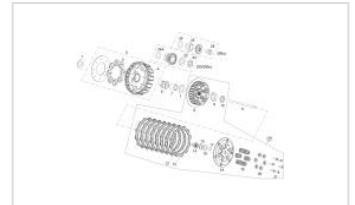
**Cárter de Motor**



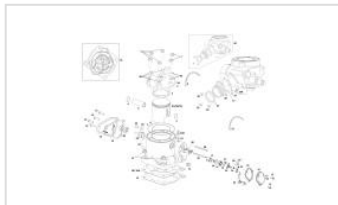
**Generador**



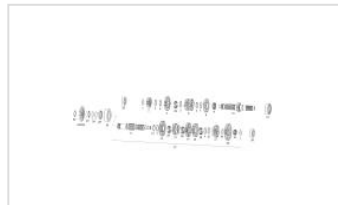
**Cigüeñal**



**Embrague**



**Cilindro**



**Cambio**

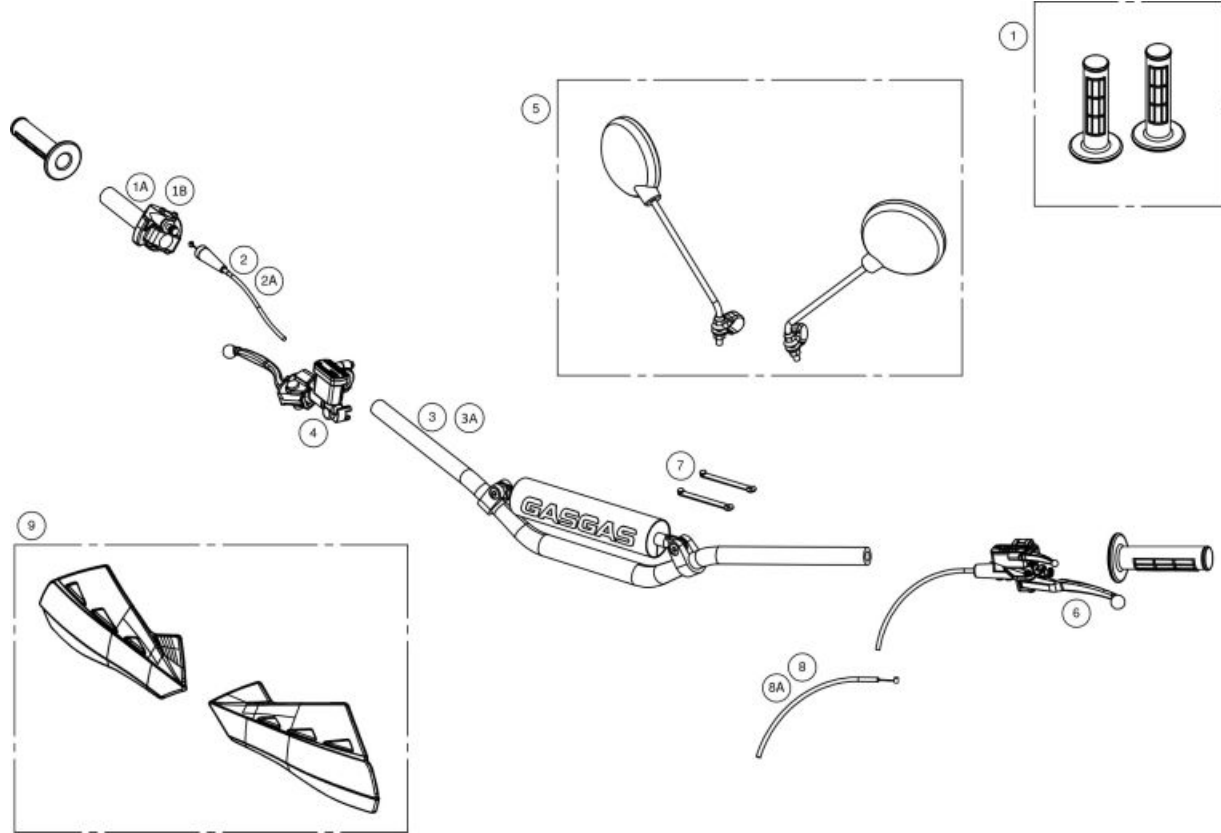


**Carburador**



**Herramientas Motor**

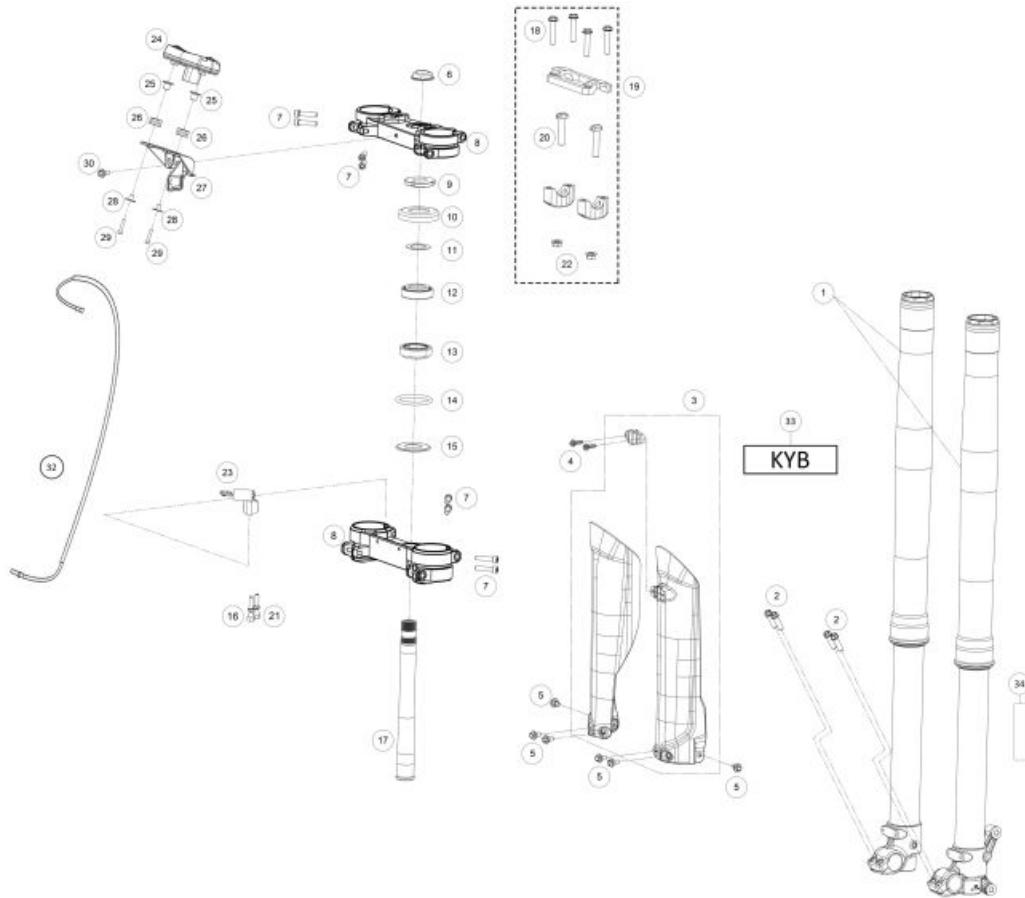
**Manillar**



<b>1</b>	<p>JUEGO EMPUÑADURAS RENTHAL (G087A)GRIS OSCURO BE26100GG-CRB-1 (u. 1)</p>	<b>OBSOLETO</b>
	<p>CABLE DE GAS ENDURO 2018 0/000.550.9101 (u. 1)</p>	
	<p>CABLE DE GAS ENDURO 2018 DE HOMOLOGACION BE78501GG-CLJ-1 (u. 1)</p>	<b>OBSOLETO</b>
<b>2</b>	<p>CABLE DE GAS ENDURO 2018 BE78500GG-CLJ-1 (u. 1)</p>	<b>OBSOLETO</b>
	<p>CABLE DE GAS ENDURO 2018 DE HOMOLOGACION 0/000.550.9102 (u. 1)</p>	
<b>3</b>	<p>MANILLAR RENTHAL RACING 2010 BE25000R2510 (u. 1)</p>	<b>OBSOLETO</b>
<b>4</b>	<p>BOMBA FRENO DEL.NISSIN=BC25922008 BC25922008/2 (u. 1)</p>	
<b>5</b>	<p>CTO.ESPEJO RETROVISOR(REG 81) BT29000GG-CKR-1 (u. 1)</p>	<b>OBSOLETO</b>
	<p>CTO.ESPEJO RETROVISOR(REG 81) 0/000.990.9100 (u. 1)</p>	
<b>6</b>	<p>CTO.EMBR.EC MAGURA 9.5 DOT-4 (167) 0/000.830.9101 (u. 1)</p>	
	<p>CTO.EMBR.EC MAGURA 9.5 DOT-4 (167) BE45000003011 (u. 1)</p>	<b>OBSOLETO</b>
<b>7</b>	<p>ABRAZADERA INSTALACION 0/000.680.0060 (u. 2)</p>	
	<p>GOMA SUJ.CABLEADOS BFS450320067 (u. 2)</p>	<b>OBSOLETO</b>
	<p>GOMA SUJ.CABLEADOS 0/000.360.9110 (u. 2)</p>	

	CABLE STARTER ENDURO 2018 0/000.550.9100 (u. 1)	
8	CABLE STARTER EC-2009 BE256012509 (u. 1)	OBSOLETO
	CABLE STARTER ENDURO 2018 BE25601GG-CLJ-1 (u. 1)	OBSOLETO
9	CTO. PARAMANOS POLISPORT BL.S BE90000223012 (u. 1)	

**Horquilla**



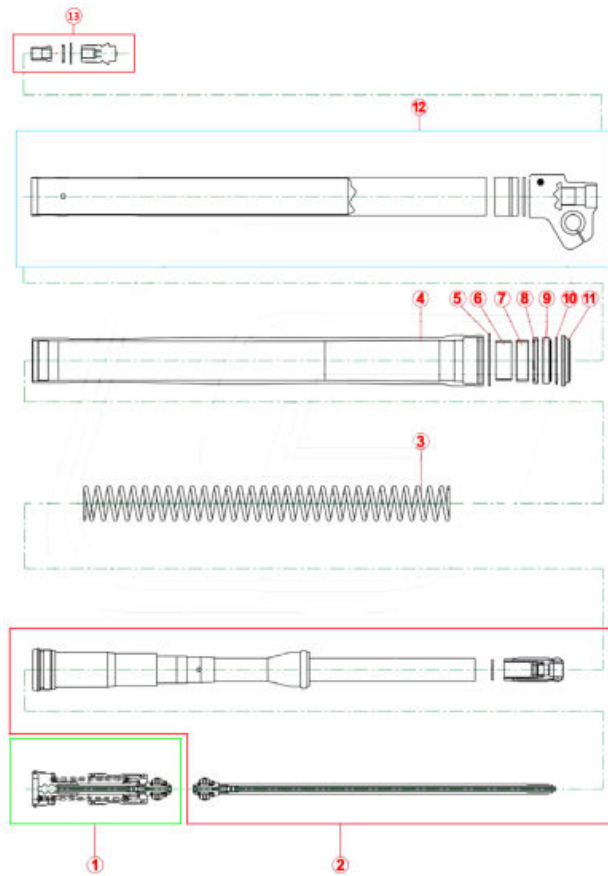
1	CTO.HORQUILLA SUSPENSION EC GP 2018 BE20000CT-CRB-1 (u. 1)	
2	TORN.ESP.8X25 T0228025 (u. 4)	<b>OBSOLETO</b>
	TORN.ESP.8X25 GEOMET 10.9 0/000.460.9137 (u. 4)	
3	JUEGO PROT.HORQ.EC 2018 BL. BE94600CT-CLJ-1 (u. 1)	
4	TORNILLO ESPECIAL ROSCA PLASTICO CABOTA HEXAGONAL CON ARANDELA 6X20 T0806020 (u. 2)	
	TORNILLO DEPÓSITO - SILLÍN Ø6x23 (EJOT ref. 05100519) T0806023 (u. 2)	
5	TORN.ESP.6X8 DRACOMET 0/000.460.9162 (u. 6)	<b>OBSOLETO</b>
	TORN.ESP.6X8 PLASTICO T0806008 (u. 6)	
6	TUERCA DIR.SUP. BE25610030 (u. 1)	<b>OBSOLETO</b>
	TUERCA DIR.SUP. 0/000.340.9102 (u. 1)	
7	TORN.ESP.8X40 8.8 ZINC. T0208040 (u. 8)	<b>OBSOLETO</b>
8	CONJUNTO BRIDAS SUSPENSIÓN MR PRO ROJAS 0/000.660.9107 (u. 1)	
	CTO.BRIDAS SUSPENSION ENDURO GP 2018 BE21000CT-CRB-1 (u. 1)	

9	TUERCA DIR.INFE. 0/000.340.9101 (u. 1)	
	TUERCA DIR.INFE. BE25610029 (u. 1)	OBSOLETO
10	GUARDAPOLVO COJ.DIR.TT BLANCO 0/000.200.9102 (u. 1)	
	GUARDAPOLVO COJ.DIR.TT BE25610126 (u. 1)	OBSOLETO
11	ARANDELA DIR.INF. 0/000.440.9101 (u. 1)	
	ARANDELA DIR.INF. BE25610028 (u. 1)	OBSOLETO
12	COJINETE DIR.30205A BE25610008 (u. 1)	OBSOLETO
	COJINETE DIR.30205A 0/000.960.9101 (u. 1)	
13	COJINETE DIR.INF.320/28 BE250610008 (u. 1)	OBSOLETO
	COJINETE DIR.INF.320/28 0/000.960.9100 (u. 1)	
14	TORICA DIR.50X5 BE25610012 (u. 1)	OBSOLETO
	TORICA DIR.50X5 0/000.490.9102 (u. 1)	
15	CAZOLETA DIR.D28 0/000.200.9101 (u. 1)	
	CAZOLETA DIR.D28 BE250610026 (u. 1)	OBSOLETO
16	TORN.ESP.6x20 10.9 ZINC.(CEX) T0206020 (u. 1)	OBSOLETO
	TORN.ESP.6x20 DIN 6921 GEOMET 10.9 0/000.460.9120 (u. 1)	
17	EJE DIRECCION BE24000GG-CLJ-1 (u. 1)	OBSOLETO
	EJE DIRECCION 0/000.190.9100 (u. 1)	
18	TORN.ESP.8X40 GEOMET 10.9 0/000.460.9140 (u. 4)	
	TORN.ESP.8X40 T0228040 (u. 4)	OBSOLETO
19	CTO.BRIDAS MANILLAR GP BE25700CT-CRB-2 (u. 1)	
20	TORN.ESP.10X45 BRIDA INF. T0201045 (u. 2)	OBSOLETO
	TORN.ESP.10X45 BRIDA INF. G5 12.9 0/000.460.9113 (u. 2)	
21	TORNILLO ANTIMANIPULACION 6X20 CLAUSOR T0106020H (u. 1)	OBSOLETO
	TORNILLO ANTIMANIPULACION 6X20 CLAUSOR 0/000.460.9111 (u. 1)	
22	TUERCA AUTOB.M10 PASO 1.50 ARAND. DIN 6926 ZINC 8 0/000.340.9124 (u. 2)	
	TUERCA AUTOB.M10 PASO 1.50 ARAND. T3110003 (u. 2)	OBSOLETO
23	KIT BLOQUEO DIRECCION ENDURO 2018 BE15025CT-CLJ-1 (u. 1)	

24	CTO.MULTIFUNCION "EVEREST" EC 2018 0/001.000.9100 (u. 1)	
	CTO.MULTIFUNCION "EVEREST" EC 2018 EE60000CT-CLJ-1 (u. 1)	OBSOLETO
25	CASQ.ALUMINIO SILENBLOCK FIJ.RAD. BT700903013 (u. 2)	OBSOLETO
	CASQ.ALUMINIO SILENBLOCK FIJ.RAD. 0/000.480.9116 (u. 2)	
26	GOMAS RAD.A CHASIS =BE25632003 G220000 (u. 2)	OBSOLETO
	GOMAS RAD.A CHASIS =BE25632003 0/000.360.9112 (u. 2)	
27	SOPORTE MULTIFUNCION EE65000GG-CSK-1 (u. 1)	OBSOLETO
	SOPORTE MULTIFUNCION 0/000.980.9108 (u. 1)	
28	CASQ.GOMA MULTIFUNION ENDURO 2018 0/000.480.9118 (u. 2)	
	CASQ.GOMA MULTIFUNION ENDURO 2018 EE65025GG-CLJ-1 (u. 2)	OBSOLETO
29	ALLEN 4X16 DIN 912 INOX A2 0/000.460.9143 (u. 2)	
	ALLEN 4X16 DIN 912 INOX A2 T0304016 (u. 2)	OBSOLETO
30	TORN.ESP.6x7 PLASTICO T0806007 (u. 1)	OBSOLETO
	TORN.ESP.6x7 DRACOMET 0/000.460.9161 (u. 1)	
32	SENSOR CUENTA KM ENDURO 0/001.010.9100 (u. 1)	
	SENSOR CUENTA KM ENDURO BE250634050 (u. 1)	OBSOLETO
33	KIT ADH.BARRAS KAYABA ENDURO 2018 BE95285GG-CLJ-1 (u. 1)	
34	CATADRIOPTICO ADHESIVO (8159) BE93915GG-CRB-1 (u. 2)	OBSOLETO
	CATADRIOPTICO ADHESIVO (8159) 0/000.630.9102 (u. 2)	

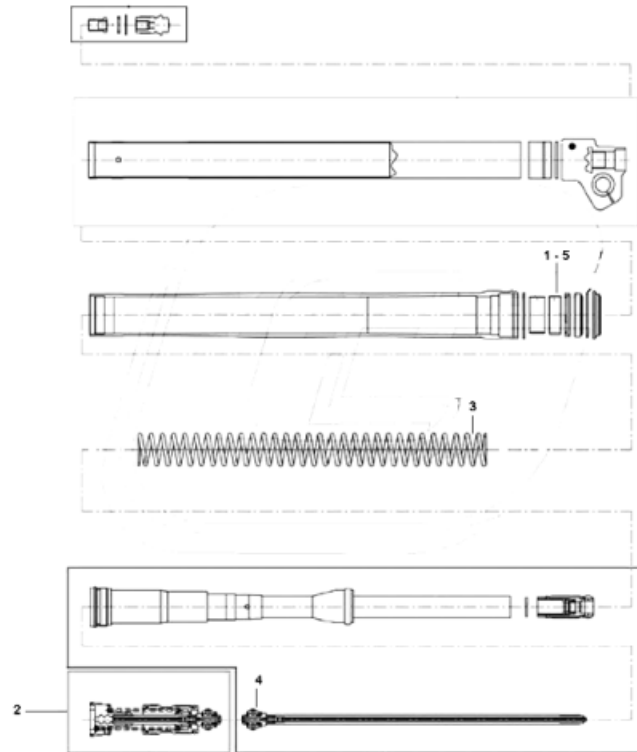


## Repuestos Horquilla



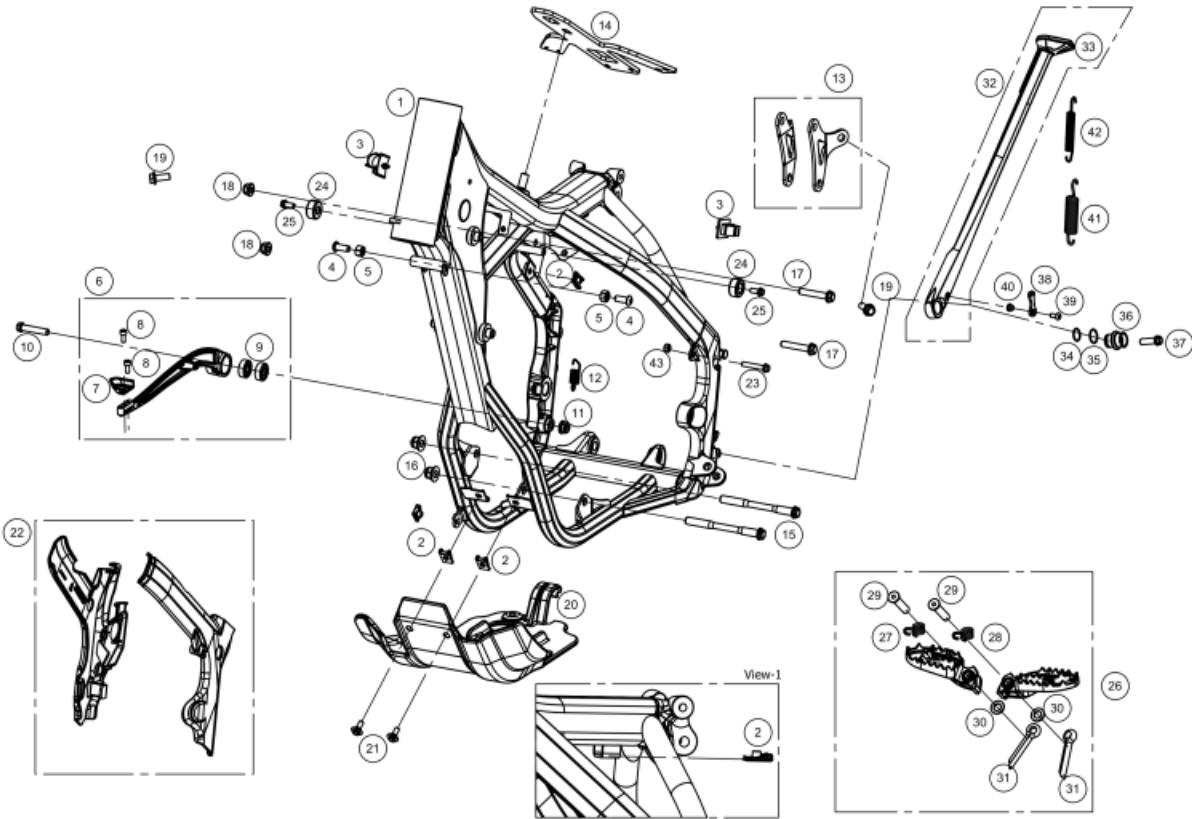
1	CTO.TAPON CARTUCHO SUSPENSION KAYABA ENDURO BE20240CT-CLJ-1 (u. 1)
2	CTO.HIDRAULICO SUSPENSION KAYABA ENDURO BE20220GG-CLJ-1 (u. 1)
3A	CTO.MUELLES SUSPENSION 4.0 KAYABA ENDURO BE20170CT-CLJ-1 (u. 1)
3B	CTO.MUELLES SUSPENSION 4.2 KAYABA ENDURO BE20171CT-CLJ-1 (u. 1)
3C	CTO.MUELLES SUSPENSION 4.4 KAYABA ENDURO BE20172CT-CLJ-1 (u. 1)
4	CTO.BOTELLA SUSPENSION KAYABA ENDURO BE20100CT-CLJ-1 (u. 1)
5	ANILLO RETENCION SUSPENSION KAYABA ENDURO BE20145GG-CLJ-1 (u. 1)
6	GLACIER BOTELLA SUSPENSION KAYABA ENDURO BE20150GG-CLJ-1 (u. 1)
7	GLACIER BARRA SUSPENSION KAYABA ENDURO BE20151GG-CLJ-1 (u. 1)
8	ARANDELA SUSPENSION KAYABA ENDURO BE20186GG-CLJ-1 (u. 1)
9	CTO.RETENES SUSPENSION KAYABA ENDURO BE20140CT-CLJ-1 (u. 1)
10	CTO. CIRCLIP SUSPENSION KAYABA ENDURO BE20135GG-CLJ-1 (u. 1)
11	CTO.GUARDAPOLVO SUSPENSION KAYABA ENDURO BE20130CT-CLJ-1 (u. 1)

<b>12</b>	CTO.BARRA SUSPENSION IZQUIERDA KAYABA ENDURO GP 2018 BE20115CT-CRB-1 (u. 1)
	CTO.BARRA SUSPENSION DERECHA KAYABA ENDURO GP 2018 BE20110CT-CRB-1 (u. 1)
<b>13</b>	TAPON REGULACION EXTENSION SUSPENSION KAYABA ENDURO BE20120GG-CLJ-1 (u. 1)

**Herramientas KYB**


- |   |   |
|---|---|
| 1 | UTIL RETEN SUSPENSION KAYABA ENDURO<br>BE20225GG-CLJ-1 (u. 1)                 |
| 2 | LLAVE TAPON SUSPENSION KAYABA ENDURO<br>BE21105GG-CLJ-1 (u. 1)                |
| 3 | UTIL SOPORTE PISTON AJUSTE SUSPENSION KAYABA ENDURO<br>BE20230GG-CLJ-1 (u. 1) |
| 4 | LLAVE TAPON CARTUCHO SUSPENSION KAYABA ENDURO<br>BE21106GG-CLJ-1 (u. 1)       |
| 5 | UTIL INSERTADOR RETEN SUSPENSION KAYABA ENDURO<br>BE20235GG-CLJ-1 (u. 1)      |

**Chasis**



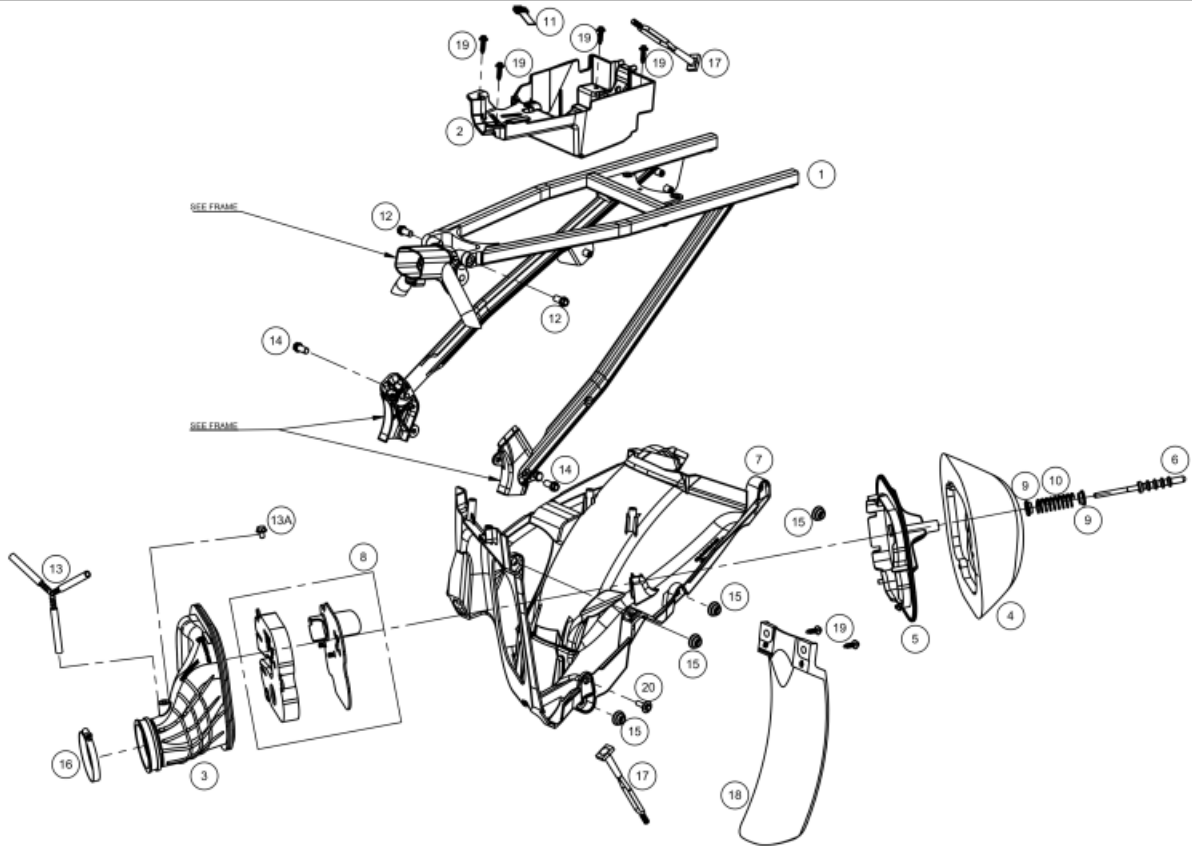
1	CHASIS EC 250 300 2T 2018 ROJO BE10000CT-CLJ-1 (u. 1)	
2	TUERCA NUT 956 RAPIDA M-6 HRC 40/48 0/000.340.9120 (u. 5)	
2	TUERCA NUT 956 M-6 HRC 40/48 T2606000 (u. 5)	<b>OBSOLETO</b>
3	CLIP (1E3J) SUJECIÓN INSTALACIÓN ENDURO 2018 BE10984GG-CLJ-1 (u. 2)	<b>OBSOLETO</b>
3	CLIP (1E3J) SUJECIÓN INSTALACIÓN ENDURO 2018 0/000.630.9100 (u. 2)	
4	ULS 8x25 T0508025 (u. 2)	<b>OBSOLETO</b>
4	ULS 8x25 ISO 7380-1 ZN 10.9 0/000.460.9157 (u. 2)	
5	TUERCA tope DIR.M8x13x8 ZINCADA BL.BN133 T2008002 (u. 2)	<b>OBSOLETO</b>
5	TUERCA tope DIR.M8x13x8 ISO 4033 ZINC 0/000.340.9109 (u. 2)	
6	PEDAL FRENO ENDURO 2018 BE13000CT-CLJ-1 (u. 1)	<b>OBSOLETO</b>
6	PEDAL FRENO ENDURO 2018 0/000.730.9100 (u. 1)	
7	PUNTERA PEDAL FRENO BE130102510 (u. 1)	
8	ALLEN 5x12 T0305012 (u. 2)	
9	RODAMIENTO 628-2RS BE130255GG-CLJ-1 (u. 2)	

10	TORN.ESP.8X40 T0228040 (u. 1)	OBSOLETO
	TORN.ESP.8X40 GEOMET 10.9 0/000.460.9140 (u. 1)	
11	TUERCA AUTOBL + ARANDELA M8 ZINC 0/000.340.9119 (u. 1)	OBSOLETO
	TUERCA AUTOBL+ARANDELA M8 T2208002 (u. 1)	
12	MUELLE PEDAL FRENO 2014 BE13015GG-CAB-1 (u. 1)	OBSOLETO
	MUELLE PEDAL FRENO 2014 0/000.470.9100 (u. 1)	
13	CTO.TIRANTE CULATA ENDURO 250 300 2018 BE11100CT-CLJ-1 (u. 1)	
14	GOMA PROT.DEP.GASOL.ENDURO 2018 BE76045GG-CLJ-1 (u. 1)	OBSOLETO
	GOMA PROT.DEP.GASOL.ENDURO 2018 0/000.220.9116 (u. 1)	
15	TORNILLO MOTOR M10x113 T0210113 (u. 2)	OBSOLETO
	TORNILLO MOTOR M10x113 GEOMET 10.9 0/000.460.9132 (u. 2)	
16	TUERCA AUTOB.M10 PASO 1.25 PLATA T3110002 (u. 2)	OBSOLETO
	TUERCA AUTOB.M10 PASO 1.25 ZINC 8 0/000.340.9123 (u. 2)	
18	TUERCA AUTOBL+ARANDELA M8 T2208002 (u. 2)	OBSOLETO
	TUERCA AUTOBL + ARANDELA M8 ZINC 0/000.340.9119 (u. 2)	
20	PROT.CARTER ENDURO 2018 BE11500GG-CLJ-1 (u. 1)	OBSOLETO
	PROT.CARTER ENDURO 2018 0/000.220.9100 (u. 1)	
21	TORNILLO ESPECIAL ROSCA PLASTICO CABOTA HEXAGONAL 6X12 DRACOMET 0/000.460.9101 (u. 2)	OBSOLETO
	TORNILLO ESPECIAL ROSCA PLASTICO CABOTA HEXAGONAL 6X12 T0806012 (u. 2)	
22	KIT PROTECTORES LATERALES CHASIS BE19000CT-CLJ-1 (u. 1)	
23	TORN.ESP.M6X35 T0206035 (u. 1)	OBSOLETO
	TORN.ESP.M6X35 DIN 6921 GEOMET 0/000.460.9124 (u. 1)	
24	SILENTBLOCK+ARANDELA DEP.GASOL. BE76066GG-CLJ-1 (u. 2)	OBSOLETO
	SILENTBLOCK+ARANDELA DEP.GASOL. 0/000.360.9106 (u. 2)	
25	EXAG.6x14+ARANDELA INCORP. T0206014 (u. 2)	OBSOLETO
	EXAG+ARANDELA 6x14 DIN 6921 0/000.460.9118 (u. 2)	
26	CTO. ESTRIBOS EC 2018 BE14005CT-CLJ-1 (u. 1)	

27	MUELLE ESTRIBO DCH. 0/000.470.9101 (u. 1)	
	MUELLE ESTRIBO DCH. BE14030GG-CLJ-1 (u. 1)	OBSOLETO
28	MUELLE ESTRIBO IZQ. 0/000.470.9102 (u. 1)	
	MUELLE ESTRIBO IZQ. BE14035GG-CLJ-1 (u. 1)	OBSOLETO
29	CASQUILLO PASADOR ESTRIBOS BE14025GG-CAB-1 (u. 2)	OBSOLETO
	CASQUILLO PASADOR ESTRIBOS 0/000.480.9101 (u. 2)	
30	ARANDELA PLANA 10x20x2 DIN 125A ZINC 0/000.440.9115 (u. 2)	
	ARANDELA PLANA 10x20x2 T4001020 (u. 2)	OBSOLETO
31	PASADOR CLAVIJA DIN 94 0/000.840.9100 (u. 2)	
	PASADOR CLAVIJA DIN 94 ISO 1234 BE14040GG-CEQ-1 (u. 2)	OBSOLETO
32	CTO.CABALLETE ENDURO 2018 BE14200CT-CLJ-1 (u. 1)	
33	CTO. CABALLETE ECRANGER BE14200CT-CTR-1 (u. 1)	
	BASE DEL CABALLETE ENDURO 2018 BE14255GG-CLJ-1 (u. 1)	OBSOLETO
	BASE DEL CABALLETE ENDURO 2018 0/000.570.9100 (u. 1)	
34	TORICA CASQUILLO CABALLETE 15x1,5 BE14260GG-CLJ-1 (u. 1)	OBSOLETO
	TORICA CASQUILLO CABALLETE 15x1,5 0/000.490.9100 (u. 1)	
35	TORICA CASQUILLO CABALLETE 17x1,5 0/000.490.9101 (u. 1)	
	TORICA CASQUILLO CABALLETE 17x1,5 BE14261GG-CLJ-1 (u. 1)	OBSOLETO
36	CASQ.SUJ.CABALLETE ENDURO 2018 0/000.480.9102 (u. 1)	
	CASQ.SUJ.CABALLETE ENDURO 2018 BE14220GG-CLJ-1 (u. 1)	OBSOLETO
37	TORN.ESP.8X25 GEOMET 10.9 0/000.460.9137 (u. 1)	
	TORN.ESP.8X25 T0228025 (u. 1)	OBSOLETO
38	LLEVA CABALLETE ENDURO 2018 0/000.830.9100 (u. 1)	
	LLEVA CABALLETE ENDURO 2018 BE14230GG-CLJ-1 (u. 1)	OBSOLETO
40	CASQUILLO LLEVA CABALLETE ENDURO 0/000.480.9103 (u. 1)	
	CASQUILLO LLEVA CABALLETE ENDURO BE14231GG-CLJ-1 (u. 1)	OBSOLETO
41	MUELLE EXTERIOR CABALLETE ENDURO 2018 0/000.470.9103 (u. 1)	
	MUELLE EXTERIOR CABALLETE ENDURO 2018 BE14245GG-CLJ-1 (u. 1)	OBSOLETO

42	MUELLE INTERIOR CABALLETE ENDURO 2018 0/000.470.9104 (u. 1)	
	MUELLE INTERIOR CABALLETE ENDURO 2018 BE14250GG-CLJ-1 (u. 1)	OBSOLETO
43	TUERCA AUTOBL.BAJA M-6 (DIN 985) T2106001 (u. 1)	OBSOLETO
	TUERCA AUTOBL.BAJA M-6 DIN 985 ZN CR3 6 0/000.340.9113 (u. 1)	

**SubChasis**

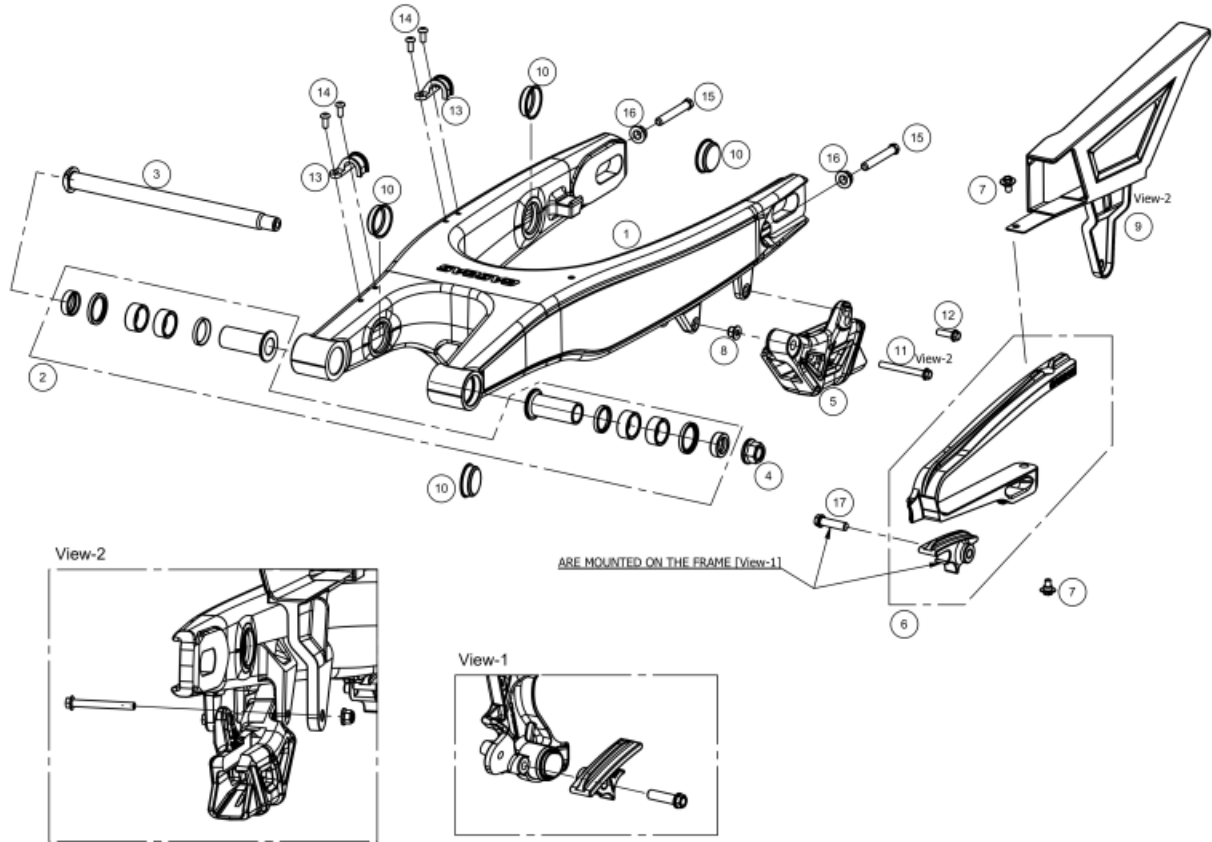


1	SUBCHASIS EC 2018 0/000.010.9102 (u. 1)	
	SUBCHASIS EC 2018 BE12000CT-CLJ-1 (u. 1)	<b>OBSOLETO</b>
2	SOP.BATERIA -CDI-RELE ARRANQUE EC 2018 BE41010GG-CLJ-1 (u. 1)	<b>OBSOLETO</b>
	SOP.BATERIA -CDI-RELE ARRANQUE EC 2018 0/000.570.9101 (u. 1)	
3	TUBERA C.FILTRO.EC 2018 0/000.360.9113 (u. 1)	
	TUBERA C.FILTRO.EC 2018 BE79200GG-CLJ-1 (u. 1)	<b>OBSOLETO</b>
4	FILTRO AIRE EC 2018 (OEM158084X) BE79500GG-CLJ-1 (u. 1)	<b>OBSOLETO</b>
	FILTRO AIRE EC 2018 (OEM158084X) 0/001.070.9100 (u. 1)	
5	ARAÑA FILTRO EC 2018 BE79505GG-CLJ-1 (u. 1)	<b>OBSOLETO</b>
	ARAÑA FILTRO EC 2018 0/000.570.9104 (u. 1)	
6	VARILLA FILTRO AIRE EC-2007 BE250728003 (u. 1)	
7	C.FILTRO.ENDURO 2018 BE79000GG-CLJ-1 (u. 1)	<b>OBSOLETO</b>
	C.FILTRO.ENDURO 2018 0/000.570.9103 (u. 1)	



9	ARAND.NYLON TOPE MUELLE C.FILTRO.EC-2007 0/000.440.9100 (u. 2)	
	ARAND.NYLON TOPE MUELLE C.FILTRO.EC-2007 BE250728052 (u. 2)	OBSOLETO
10	MUELLE VARILLA C.FILTRO.EC-2007 BE250728051 (u. 1)	OBSOLETO
	MUELLE VARILLA C.FILTRO.EC-2007 0/000.470.9105 (u. 1)	
11	GOMA SUJ.CDI BE250034100 (u. 1)	OBSOLETO
	GOMA SUJ.CDI 0/000.360.9101 (u. 1)	
12	TORN.ESP.8X25 GEOMET 10.9 0/000.460.9137 (u. 2)	
	TORN.ESP.8X25 T0228025 (u. 2)	OBSOLETO
13A	TORN.ESP.DE PLASTICO NG.M6X12 BT35000083012 (u. 1)	OBSOLETO
	TORN.ESP.DE PLASTICO NG.M6X12 0/000.460.9109 (u. 1)	
13	CTO.TUBO DESVAPORIZADOR BLOW BY ENDURO 2018 0/000.290.9106 (u. 1)	
	CTO.TUBO DESVAPORIZADOR BLOW BY ENDURO 2018 BE71155CT-CLJ-1 (u. 1)	OBSOLETO
14	TORN.ESP.8X16 T0228016 (u. 2)	OBSOLETO
	TORN.ESP.8X16 GEOMET 10.9 0/000.460.9135 (u. 2)	
15	SILENTBLOCK PORTANUMS.IZQ.ENDURO 2018 BE93010GG-CLJ-1 (u. 4)	OBSOLETO
	SILENTBLOCK PORTANUMS.IZQ.ENDURO 2018 0/000.360.9109 (u. 4)	
16	ABRAZ.50-70/9 W2 FILTRO AIRE/CARB. INOX FE 0/000.680.9101 (u. 1)	
	ABRAZ.50-70/9 W2 FILTRO AIRE/CARB. BE250328033 (u. 1)	OBSOLETO
17	GOMA CABALLETE EC 2015 BE14205GG-CEQ-1 (u. 2)	OBSOLETO
	GOMA CABALLETE EC 2015 0/000.360.9100 (u. 2)	
18	PROT.AMORT.EC 2018 BE79555GG-CLJ-1 (u. 1)	OBSOLETO
	PROT.AMORT.EC 2018 0/000.220.9117 (u. 1)	
19	TORNILLO DEPÓSITO - SILLÍN Ø6x23 (EJOT ref. 05100519) T0806023 (u. 6)	
	TORNILLO ESPECIAL ROSCA PLASTICO CABOTA HEXAGONAL CON ARANDELA 6X20 T0806020 (u. 6)	
20	TORN.ESP.6X16 PLASTICO T0806016 (u. 1)	OBSOLETO
	TORN.ESP.6X16 DRACOMET 0/000.460.9100 (u. 1)	
21	DESVAP.CARTER D.3=ME25610012 0/000.630.9105 (u. 1)	
	DESVAP.CARTER D.3=ME25610012 M01032001 (u. 1)	OBSOLETO

**Basculante**



BASCULANTE ENDURO 2018  
BE40000GG-CLJ-1 (u. 1)

**1** BASCULANTE ENDURO 2018  
0/000.020.9100 (u. 1)

BASCULANTE ENDURO 2018  
BE40000GG-CLJ-1 (u. 1)

**2** KIT REPARACION BASCULANTE  
BE41000CT-CLJ-1 (u. 1)

**3** EJE BASCULANTE ENDURO 2018  
BE44500GG-CLJ-1 (u. 1) **OBSOLETO**

EJE BASCULANTE ENDURO 2018  
0/000.190.9101 (u. 1)

**4** TUERCA BASC.TT 49650  
0/000.340.9103 (u. 1)

TUERCA BASC.TT 49650  
BE25612009 (u. 1) **OBSOLETO**

**5** GUIA CADENA (8435900001)  
0/000.710.9100 (u. 1)

GUIA CADENA (8435900001)  
BE42000GG-CLJ-1 (u. 1) **OBSOLETO**

**6** KIT PATIN CADENA 3 COMP.  
BE43015CT-CLJ-1 (u. 1)

**7** TORN.ESP.6x7 PLASTICO  
T0806007 (u. 2) **OBSOLETO**

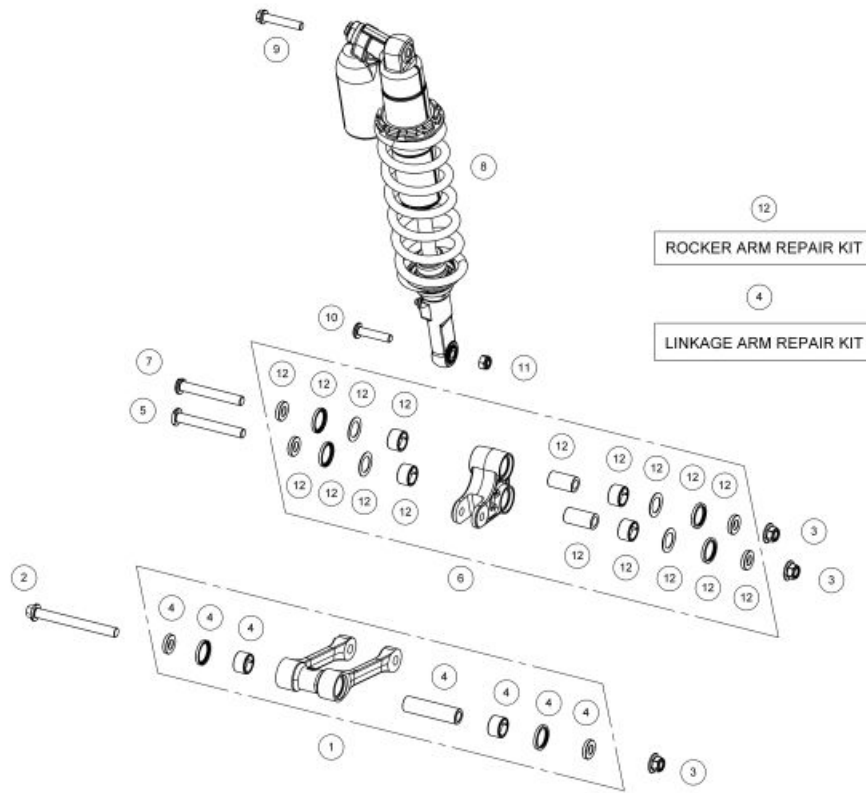
TORN.ESP.6x7 DRACOMET  
0/000.460.9161 (u. 2)

**8** TUERCA AUTOBLOC. M-6 C/ARAND DIN-6926 ZINC  
0/000.340.9117 (u. 1)

TUERCA AUTOBLOC.DIN-6926 M-6 C/ARAND ZN  
T2206002 (u. 1) **OBSOLETO**

10	TAP.BASCUL.EC 2018 (465658) BE43000GG-CLJ-1 (u. 4)	OBSOLETO
	TAP.BASCUL.EC 2018 (465658) 0/000.410.9100 (u. 4)	
11	TORN.ESP.6X55 8.8 DRACOMET T0206055 (u. 1)	OBSOLETO
	TORN.ESP.6X55 DIN 6921 DRACOMET 8.8 0/000.460.9127 (u. 1)	
12	TORN.ESP.6x20 10.9 ZINC.(CEX) T0206020 (u. 1)	OBSOLETO
	TORN.ESP.6x20 DIN 6921 GEOMET 10.9 0/000.460.9120 (u. 1)	
13	SUJ.LATIG.SOBRE BASC. BE25612006 (u. 2)	OBSOLETO
	SUJ.LATIG.SOBRE BASC. 0/000.630.9101 (u. 2)	
14	TORN.ESP.+ARAND.5x15 DIN 6921 GEOMET 10.9 0/000.460.9115 (u. 4)	OBSOLETO
	TORN.ESP.+ARAND.5x15 ZI T0205015 (u. 4)	
15	TORN.TENSOR RUEDA FSR450-2007 BFS450722212 (u. 2)	OBSOLETO
	TORN.TENSOR RUEDA FSR450-2007 0/000.460.9105 (u. 2)	
16	TUERCA+ARAN.ESTR.M-8 ZINCADA T2208001 (u. 2)	OBSOLETO
	TUERCA ESTRIADA M-8 DIN 6927 ACERO 8 0/000.340.9118 (u. 2)	
17	TORNILLO ESPECIAL 8X35 GEOMET 10.9 0/000.460.9139 (u. 1)	OBSOLETO
	TORNILLO ESPECIAL 8X35 T0228035 (u. 1)	

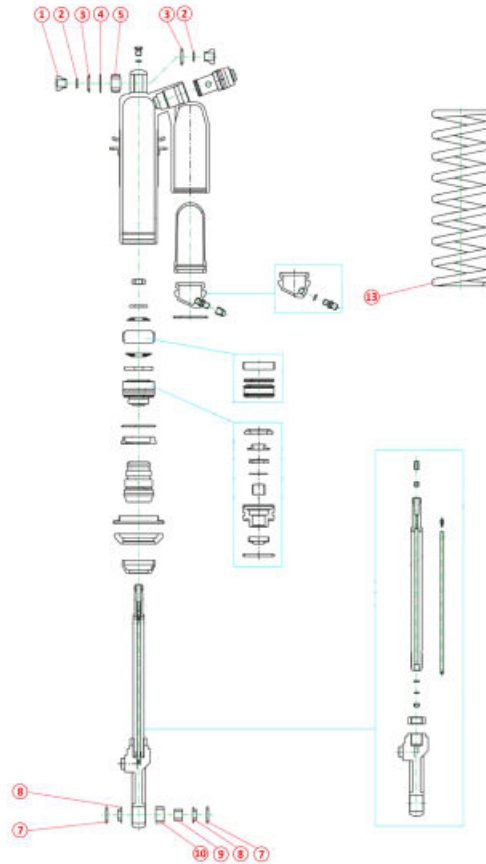
Link



1	CTO.BIELETA ENDURO 2018 BE34000CT-CLJ-1 (u. 1)	
2	TORN.EJE BIELETA CHASIS 22X128 0/000.460.9102 (u. 1)	
	TORN.EJE BIELETA CHASIS 22X128 BE35001GG-CLJ-1 (u. 1)	<b>OBSOLETO</b>
3	TUERCA M12x1.25 .ZINCADA DIN 6923 T2112003 (u. 3)	<b>OBSOLETO</b>
	TUERCA M12x1.25 DIN 6923 ZINC 0/000.340.9115 (u. 3)	
4	KIT REPARACION BIELETA ENDURO 2018 BE32035CT-CLJ-1 (u. 1)	
5	TORN.EJE BIELETA BALANCIN 22X99.5 BE35002GG-CLJ-1 (u. 1)	<b>OBSOLETO</b>
	TORN.EJE BIELETA BALANCIN 22X99.5 0/000.460.9103 (u. 1)	
6	CTO. BALANCIN ENDURO 2018 BE32000CT-CLJ-1 (u. 1)	
7	TORN.EJE BALANCIN BASCUL.22X92.5 0/000.460.9104 (u. 1)	
	TORN.EJE BALANCIN BASCUL.22X92.5 BE35003GG-CLJ-1 (u. 1)	<b>OBSOLETO</b>
8	AMORTIGUADOR EC 2018 KYB BE30000GG-CLJ-1 (u. 1)	<b>OBSOLETO</b>
	AMORTIGUADOR EC 2018 KYB 0/000.180.9100 (u. 1)	

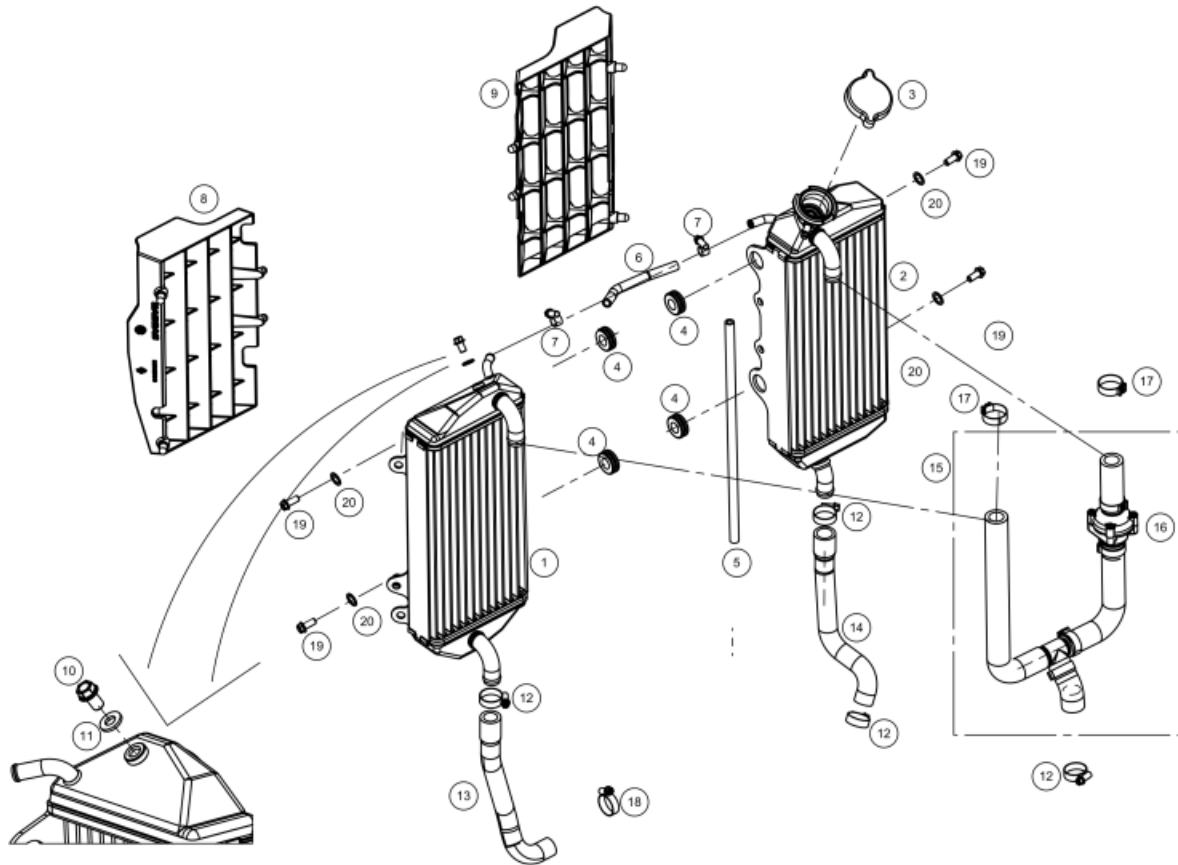
9	PERNO 10X60 ISO 898-1 GEOMET 10.9 0/000.460.9131 (u. 1)	
	PERNO 10X55 10.9 GEOMET ISO 898-1 T0210055 (u. 1)	OBSOLETO
10	TORN.EJE INF.AMORT.20X48.5 BE35000GG-CLJ-1 (u. 1)	OBSOLETO
	TORN.EJE INF.AMORT.20X48.5 0/000.460.9107 (u. 1)	
11	TUERCA AUTOBLOC.M10X125 DIN 985 ZINC 8 0/000.340.9110 (u. 1)	
	TUERCA AUTOBLOC.M10X125 DIN 985 ZINCADA T21010003 (u. 1)	OBSOLETO
12	KIT REPARACION BALANCIN EC 2018 BE34035CT-CLJ-1 (u. 1)	

**Amortiguador**



1	CASQUILLO ROTULA SUPERIOR SUSPENSION KAYABA ENDURO BE20210GG-CLJ-1 (u. 1)	
2	TORICA ROTULA SUSPENSION KAYABA ENDURO BE30025GG-CLJ-1 (u. 3)	
3	RETEN ROTULA SUPERIOR SUSPENSION KAYABA ENDURO BE23295GG-CLJ-1 (u. 3)	
4	ARANDELA ROTULA BE23290GG-CLJ-1 (u. 1)	<b>OBSOLETO</b>
	ARANDELA ROTULA SUPERIOR SUSPENSION KAYABA ENDURO BE232990GG-CLJ-1 (u. 1)	
5	ROTULA SUPERIOR AMORTIGUADOR ENDURO 2018 BE23350GG-CLJ-1 (u. 1)	<b>OBSOLETO</b>
	ROTULA SUPERIOR AMORTIGUADOR KAYABA ENDURO BE23250GG-CLJ-1 (u. 1)	
7	GUARDAPOLVO ROTULA INF. SUSP. KAYABA ENDURO BE23280GG-CLJ-1 (u. 2)	
9	COJINETE AGUJA INFERIOR SUSPENSION KAYABA ENDURO BE36060GG-CLJ-1 (u. 1)	
10	CASQUILLO INF. SUSP. KAYABA ENDURO BE23300GG-CLJ-1 (u. 1)	
13	MUELLE AMORTIGUADOR 46 mm 50n SUSPENSION KAYABA ENDURO BE30010GG-CLJ-1 (u. 1)	
	MUELLE AMORTIGUADOR 46 mm 54n SUSPENSION KAYABA ENDURO BE30012GG-CLJ-1 (u. 1)	
	MUELLE AMORTIGUADOR 46 mm 52n SUSPENSION KAYABA ENDURO BE30011GG-CLJ-1 (u. 1)	

**Radiador**

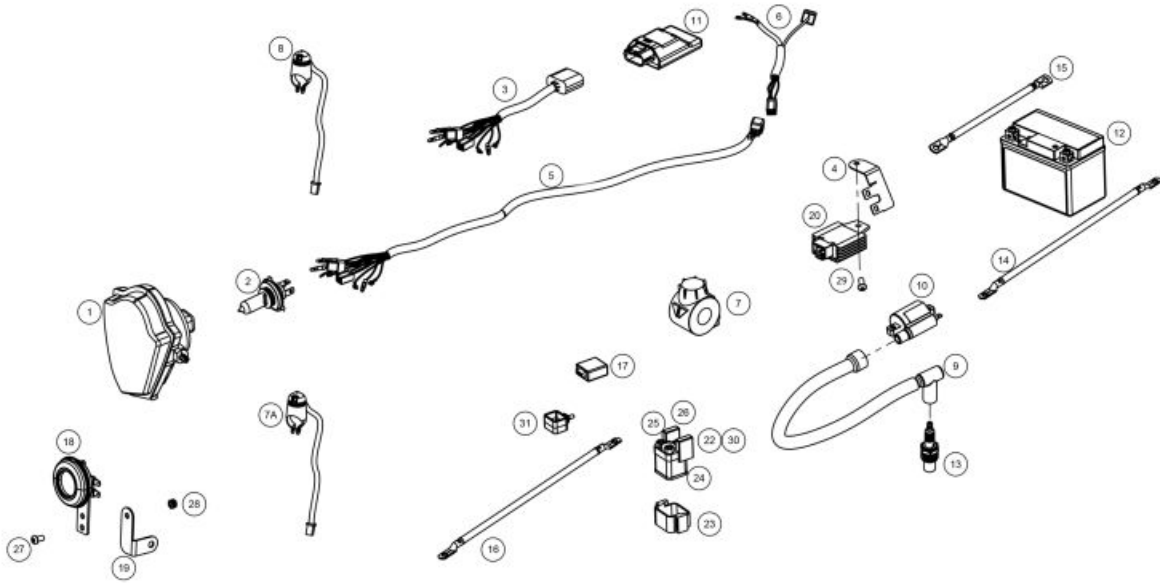


1	RADIADOR IZQUIERDO ENDURO 2018 0/000.580.9103 (u. 1)	
	RADIADOR IZQUIERDO ENDURO 2018 BE70500GG-CLJ-1 (u. 1)	<b>OBSOLETO</b>
2	RADIADOR DERECHO + 2U SILENBLOCK 2019 0/000.580.9102 (u. 1)	
	RADIADOR DERECHO ENDURO 2018 CON TAPON BE70000GG-CLJ-1 (u. 1)	<b>OBSOLETO</b>
3	TAPON RADIADOR ENDURO 2018 BE70150GG-CLJ-1 (u. 1)	<b>OBSOLETO</b>
	TAPON RADIADOR ENDURO 2018 PARA RADIADOR 0/000.580.9100 (antiguo) 0/000.410.9101 (u. 1)	
4	GOMA TOPE RAD.49100025 BIE500132031 (u. 4)	
5	TUBO SOBRANTE RAD.5X8 - 39cm.- TT-96 0/000.290.9117 (u. 1)	
	TUBO SOBRANTE RAD.5X8 - 39cm.- TT-96 BE25632009 (u. 1)	<b>OBSOLETO</b>
6	TUBO UNION RADIADORES ENDURO 2018 0/000.290.9103 (u. 1)	
	TUBO UNION RADIADORES ENDURO 2018 BE71015GG-CLJ-1 (u. 1)	<b>OBSOLETO</b>
7	ABRAZ.TORRO SIN FIN 10-16 (10107270010) L200060 (u. 2)	<b>OBSOLETO</b>
	ABRAZ.TORRO SIN FIN 10-16 (10107270010) INOX FE 0/000.680.9108 (u. 2)	

8	REJILLA RADIADOR IZQUIERDA ENDURO 2018 0/000.220.9113 (u. 1)	
	REJILLA RADIADOR IZQUIERDA ENDURO 2018 BE73055GG-CLJ-1 (u. 1)	OBSOLETO
9	REJILLA RADIADOR DERECHA ENDURO 2018 0/000.220.9112 (u. 1)	
	REJILLA RADIADOR DERECHA ENDURO 2018 BE73050GG-CLJ-1 (u. 1)	OBSOLETO
10	TORN.ESP.6X10+ARANDELA GEOMET 10.9 0/000.460.9133 (u. 1)	
	TORN.ESP.6X10+ARANDELA T0226010 (u. 1)	OBSOLETO
11	ARANDELA COBRE 6X10X1.5 TORN.VAC.AGUA CI T4006008 (u. 1)	OBSOLETO
	ARANDELA COBRE 6X10X1.5 TORN.VAC.AGUA CI 0/000.440.9122 (u. 1)	
12	ABRAZ.TORRO SIN FIN 16-27 (10107270027) INOX FE 0/000.680.9107 (u. 4)	
	ABRAZ.TORRO SIN FIN 16-27 (10107270027) L200059 (u. 4)	OBSOLETO
13	TUBO RADIADOR IZQUIERDO A CÁRTER IZQUIERDO EC 2018 0/000.290.9105 (u. 1)	
	TUBO RADIADOR IZQUIERDO A CÁRTER IZQUIERDO EC 2018 BE71085GG-CLJ-1 (u. 1)	OBSOLETO
14	TUBO RAD.INF.DCH.EC 300 2014 BE71080GG-CAB-1 (u. 1)	OBSOLETO
	TUBO RAD.INF.DCH.EC 300 2014 0/000.290.9104 (u. 1)	
15	CTO.TUBOS RADIADORES-TERMOSTATO EC 2018 0/000.290.9118 (u. 1)	
	CTO.TUBOS RADIADORES-TERMOSTATO EC 2018 BE71010GG-CLJ-1 (u. 1)	OBSOLETO
16	CUERPO TERMOSTATO SM BE250432070 (u. 1)	
17	ABRAZ.COBRA-21 L200046 (u. 2)	OBSOLETO
	ABRAZ.COBRA D.21 INOX A2 0/000.680.9105 (u. 2)	
18	ABRAZ.COBRA-19 INOX A2 0/000.680.9104 (u. 1)	
	ABRAZ.COBRA-19 L200043 (u. 1)	OBSOLETO
19	EXAG.6x14+ARANDELA INCORP. T0206014 (u. 4)	OBSOLETO
	EXAG+ARANDELA 6x14 DIN 6921 0/000.460.9118 (u. 4)	
20	ARANDELA 6X20X2 0/000.440.9112 (u. 4)	
	ARANDELA 6X20X2 ME85170GG-CAB-1 (u. 4)	OBSOLETO



**Parte Eléctrica**

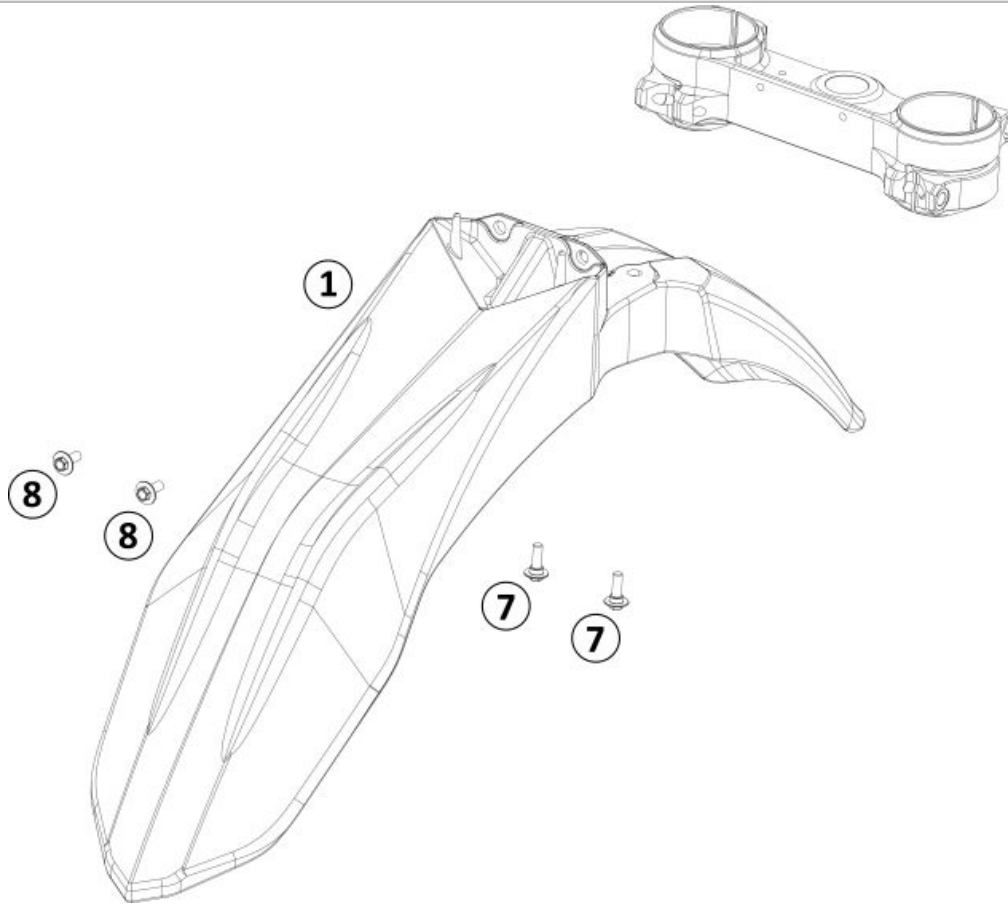


1	<p>OPTICA FARO DEL.EC 2011 6000270 EE200002511 (u. 1)</p>	<b>OBSOLETO</b>
	<p>OTTICA FANALE COMPLETA 0/000.600.0260 (u. 1)</p>	
2	<p>BOMBILLA HALOGENA 35/35 12V.HS1 L300125 (u. 1)</p>	
3	<p>INSTALACION ELECTRICA PRINCIPAL ENDURO 2018 0/000.160.9100 (u. 1)</p>	
	<p>INSTALACIÓN ELÉCTRICA PRINCIPAL ENDURO 2018 EE10000GG-CLJ-1 (u. 1)</p>	<b>OBSOLETO</b>
4	<p>SOP.SUJ.CONECTORES ENCENDIDO ENDURO 2018 EE75050GG-CLJ-1 (u. 1)</p>	<b>OBSOLETO</b>
	<p>SOP.SUJ.CONECTORES ENCENDIDO ENDURO 2018 0/000.980.9110 (u. 1)</p>	
5	<p>INST.ELEC.COMPONENTE ELEC. 0/000.160.9102 (u. 1)</p>	
	<p>INST.ELEC.COMPONENTE ELEC. EE10010GG-CLJ-1 (u. 1)</p>	<b>OBSOLETO</b>
6	<p>INST.LUZ MATRICULA ENDURO 2018 EE30010GG-CLJ-1 (u. 1)</p>	<b>OBSOLETO</b>
	<p>INST.LUZ MATRICULA ENDURO 2018 0/000.160.9103 (u. 1)</p>	
7	<p>CONMUTADOR CON ARRANQUE ENDURO 2018 0/000.720.9101 (u. 1)</p>	
	<p>CONMUTADOR CON ARRANQUE ENDURO 2018 EE60201GG-CLJ-1 (u. 1)</p>	<b>OBSOLETO</b>
8	<p>BOTON DE PARO TRIAL 2015 0/000.720.9102 (u. 1)</p>	
	<p>BOTON DE PARO TRIAL 2015 ET85500GG-CGI-1 (u. 1)</p>	<b>OBSOLETO</b>
9	<p>PIPA BUJIA LB05EMH=BT27934000 0/005.110.9100 (u. 1)</p>	
	<p>PIPA BUJIA BE25934000 (u. 1)</p>	<b>OBSOLETO</b>

10	BOBINA DE ALTA JT TXT 2013 ET500003013 (u. 1)	OBSOLETO
	BOB.DE ALTA JT TXT 2013 0/005.070.9100 (u. 1)	
11	SET CDI PROGRAMMED ENDURO GP 300 2018 EE51100CT-CSK-1 (u. 1)	
	CTO.CDI PROGRAMADO EC 250-300 GP 2019 EE51100CT-CSK-2 (u. 1)	
11A	CTO.CDI PROGRAMADO EC 250-300 EC 2018 EE51100CT-CLJ-1 (u. 1) - ONLY FOR 30° ROTOR	
12	BATERIA LITIO 4.0 Ah, HJTZ7S-FPZ 0/000.900.9100 (u. 1)	OBSOLETO
	BATERIA LITIO 4.0 Ah, HJTZ7S-FPZ EE40000GG-CSK-1 (u. 1)	
13	BUJIA W24ESRU ME25934000 (u. 1)	OBSOLETO
	BUJIA W24ESRU 0/005.110.9101 (u. 1)	
14	CABLE POSITIVO BATERIA EC 2019 EE40015GG-CSK-1 (u. 1)	OBSOLETO
	CABLE POSITIVO BATERIA EC 2018 EE40015GG-CLJ-1 (u. 1)	
15	CABLE NEGATIVO BATERIA EE40010GG-CLJ-2 (u. 1)	OBSOLETO
	CABLE BATERIA NEGATIVO EC 2018 EE40010GG-CLJ-1 (u. 1)	OBSOLETO
	CABLE NEGATIVO BATERIA EE40010GG-CLJ-2 (u. 1)	OBSOLETO
	CABLE NEGATIVO BATERIA 0/000.160.9104 (u. 1)	
16	CABLE RELE A MOTOR ARRANQUE 2019 0/000.160.9107 (u. 1)	OBSOLETO
	CABLE RELE A MOTOR ARRANQUE 2018 0/000.160.9106 (u. 1)	
	CABLE RELE A MOTOR ARRANQUE 2018 EE40110GG-CLJ-1 (u. 1)	
	CABLE RELE A MOTOR ARRANQUE 20 EE40110GG-CSK-1 (u. 1)	
17	MODULO DIODES SHOTKY ET80060GG-CKW-1 (u. 1)	
18	BOCINA / CLAXON 0/000.420.9100 (u. 1)	OBSOLETO
	BOCINA / CLAXON EM20400TT-CLR-1 (u. 1)	
19	SOPORTE CLAXON ENDURO 2018 EE25400GG-CLJ-1 (u. 1)	OBSOLETO
	SOPORTE CLAXON ENDURO 2018 0/000.980.9107 (u. 1)	
20	REGULADOR EE51200GG-CAB-1 (u. 1)	OBSOLETO
	REGUL.(31600-XRU-0000) 0/005.070.9101 (u. 1)	
22	RELE ARRANQUE (RC19-005 <sup>a</sup> )STARTER RELA 00020 A7343-888-00-000 BFS400134075/2 (u. 1)	OBSOLETO
	RELE ARRANQUE (RC19-005 <sup>a</sup> )STARTER RELA 00020 A7343-888-00-000 0/001.200.9101 (u. 1)	

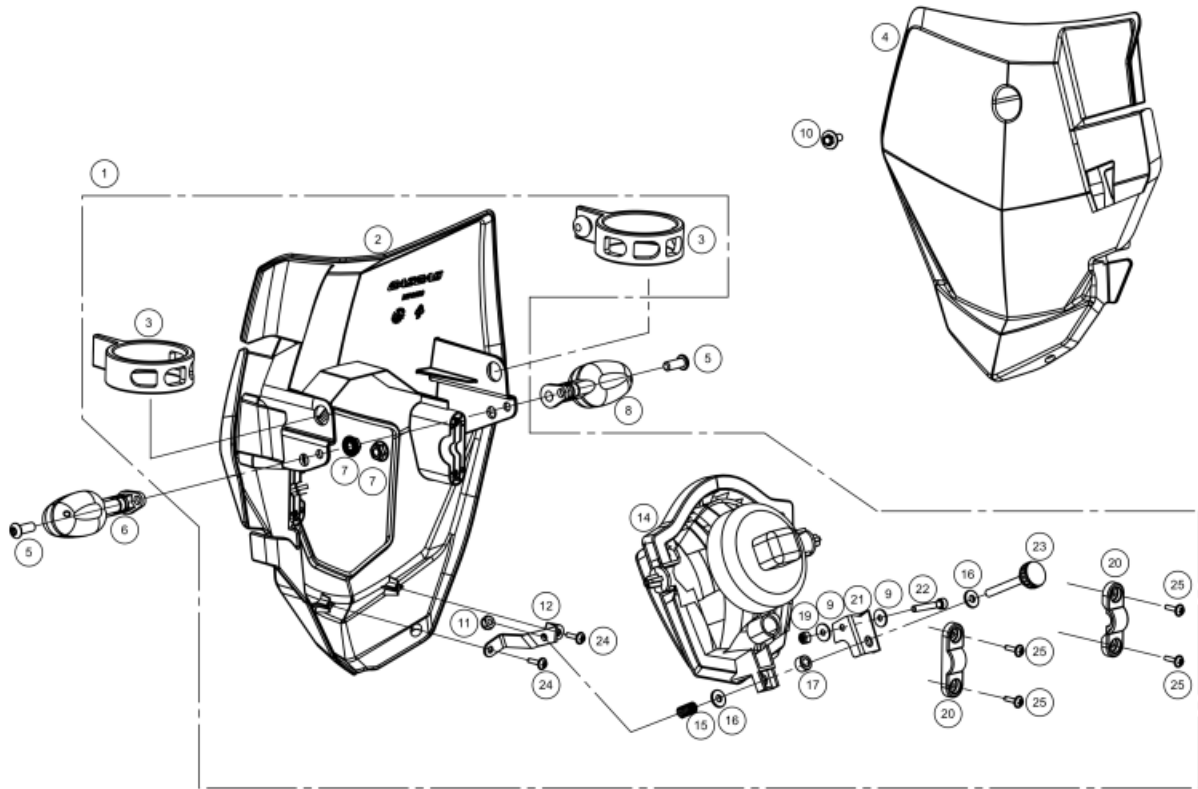
23	GOMA SOP.RELE ARRANQUE FIJ.VERTICAL EE85205GG-CAK-1 (u. 1)	
24	TAPA PROT.FUSIBLE (B4694-730-00-001) EE851052511 (u. 2)	
25	ARANDELA EN ABANICO DIN 6798 ZINC 0/000.440.9127 (u. 2)	
	ARANDELA EN ABANICO DIN 6798/A ZINCADA T4006040 (u. 2)	<b>OBSOLETO</b>
26	ARANDELA Ø6 0/000.440.0240 (u. 2)	
	TORN.ESP.6X10+ARANDELA T0226010 (u. 2)	<b>OBSOLETO</b>
27	TORN.ESP.6X10+ARANDELA GEOMET 10.9 0/000.460.9133 (u. 2)	
	TORN.ESP.6X12+ARANDELA Y FIJADOR ISO 7380-2 INOX A2 0/000.460.9108 (u. 1)	
28	TORN.ESP.6X12+ARANDELA Y FIJADOR INOX BT35000073012 (u. 1)	<b>OBSOLETO</b>
	TUERCA NUT 956 M-6 HRC 40/48 T2606000 (u. 1)	<b>OBSOLETO</b>
29	TUERCA NUT 956 RAPIDA M-6 HRc 40/48 0/000.340.9120 (u. 1)	
	EXAG.6x14+ARANDELA INCORP. T0206014 (u. 1)	<b>OBSOLETO</b>
	EXAG+ARANDELA 6x14 DIN 6921 0/000.460.9118 (u. 1)	

**Guardabarros delantero**



1	GUARDAB.DEL.EC 2018 ROJO BE91000GG-CLJ-1 (u. 1)	
1A	GUARDABARROS DELANTERO.EC 2018 BLANCO 0/000.050.9101 (u. 1)	
	GUARDABARROS DELANTERO.EC 2018 BLANCO BE91004GG-CLJ-1 (u. 1)	<b>OBSOLETO</b>
2	SOPORTE IZQUIERDO CATADRIOPTICO EC 2017 BE93931GG-EKF-1 (u. 1)	
3	TORN.ESP.6X10+ARANDELA T0226010 (u. 2)	<b>OBSOLETO</b>
	TORN.ESP.6X10+ARANDELA GEOMET 10.9 0/000.460.9133 (u. 2)	
4	TUERCA+ARAN.M-6 (DIN 6923) ESTR. T2206000 (u. 2)	<b>OBSOLETO</b>
	TUERCA+ARAN.M-6 ESTR. DIN 6923 ZINC 8 0/000.340.9116 (u. 2)	
6	SOPORTE DERECHO CATADRIOPTICO EC 2017 BE93930GG-EKF-1 (u. 1)	
7	TORN.ESP.6X16 DRACOMET 0/000.460.9100 (u. 2)	
	TORN.ESP.6X16 PLASTICO T0806016 (u. 2)	<b>OBSOLETO</b>
8	TORN.ESP.6x7 PLASTICO T0806007 (u. 2)	<b>OBSOLETO</b>
	TORN.ESP.6x7 DRACOMET 0/000.460.9161 (u. 2)	

**Faro Delantero**



1	CTO.FARO EC 2018 BE90500CT-CLJ-1 (u. 1)	
	PORTAFARO DEL.EC 2018 BL. BE90500GG-CLJ-1 (u. 1)	
2	PORTAFARO DEL.EC 2018 BL. 0/000.620.9100 (u. 1)	
	PORTAFARO DEL.EC 2018 BL. BE90500GG-CLJ-1 (u. 1)	
3	GOMA SUJETA FARO D.38 PP HP2070291G BE25636015 (u. 2)	<b>OBSOLETO</b>
	GOMA SUJETA FARO D.38 PP HP2070291G 0/000.360.9102 (u. 2)	
5	TORN.ULS 6x16 PL.PRIM,GUAR,FIL NG. T0506016N (u. 2)	<b>OBSOLETO</b>
	ULS 6x16 ISO 7380-1 NEGRO 12.9 0/000.460.9156 (u. 2)	
6	INTERMITENTE IZQ.DEL.2005 BE250634019 (u. 1)	<b>OBSOLETO</b>
	INTERMITENTE IZQ.DEL.2005 0/000.150.9101 (u. 1)	
7	TUERCA+ARAN.M-6 (DIN 6923) ESTR. T2206000 (u. 2)	<b>OBSOLETO</b>
	TUERCA+ARAN.M-6 ESTR. DIN 6923 ZINC 8 0/000.340.9116 (u. 2)	
8	INTERMITENTE DCH.O.DEL.2005 0/000.150.9100 (u. 1)	
	INTERMITENTE DCH.O.DEL.2005 BE250634018 (u. 1)	<b>OBSOLETO</b>

9	ARANDELA PLANA 4X12X1 (DIN 9021) T4004012 (u. 2)	OBSOLETO
	ARANDELA PLANA 4X12X1 DIN 9021 ZN AG CR3 0/000.440.9119 (u. 2)	
11	TUERCA AUTOBL.DIN-985 M-5 ZN BAJA T2105000 (u. 1)	OBSOLETO
	TUERCA AUTOBL. M-5 BAJA DIN-985 ZINC 8 0/000.340.9112 (u. 1)	
12	CHAPA REGUL.FARO 0/000.980.9103 (u. 1)	OBSOLETO
	CHAPA REGUL.FARO BE90000033012 (u. 1)	
13	TORNILLO PLASTICO 4X10 ZN BLUE 0/000.460.9159 (u. 2)	OBSOLETO
	TORNILLO PLASTICO 4X10 ZINCADO T0804010 (u. 2)	
14	OTTICA FANALE COMPLETA 0/000.600.0260 (u. 1)	OBSOLETO
	OPTICA FARO DEL.EC 2011 6000270 EE200002511 (u. 1)	
15	MUELLE TORN.REG.OPTICA 0/000.470.9107 (u. 1)	OBSOLETO
	MUELLE TORN.REG.OPTICA BX250020026 (u. 1)	
16	ARANDELA 5X12X1.5 T4005012 (u. 2)	OBSOLETO
	ARANDELA 5X12X1.5 DIN 125A ZINC 0/000.440.9121 (u. 2)	
17	CASQ.ALUMINIO ø5.5X10X6 T90055100006M (u. 1)	OBSOLETO
	CASQ.ALUMINIO ø5.5X10X6 0/000.480.9128 (u. 1)	
19	TUERCA AUTOBL.M-4 DIN 985 ZINC 8 0/000.340.9111 (u. 1)	OBSOLETO
	TUERCA AUTOBL.M-4 (DIN 985) T2104000 (u. 1)	
20	SOP.FARO BL. 0/000.980.9104 (u. 2)	OBSOLETO
	SOP.FARO BL. BE905102511 (u. 2)	
21	REFUERZO LENGUETA FARO EC 2012 EE20000013012 (u. 1)	OBSOLETO
	REFUERZO LENGUETA FARO EC 2012 0/000.980.9106 (u. 1)	
22	ALLEN 4X25 DIN 912 ZINC 0/000.460.9144 (u. 1)	OBSOLETO
	ALLEN 4X25 ZINC.DIN 912 T0304025 (u. 1)	
23	TORN.REGUL.FARO ELESA B.193/18 P M5X40 0/000.460.9106 (u. 1)	OBSOLETO
	TORN.REGUL.FARO ELESA B.193/18 P M5X40 BE35000013012 (u. 1)	
24	TORNILLO PLASTICO 4X10 ZN BLUE 0/000.460.9159 (u. 2)	OBSOLETO
	TORNILLO PLASTICO 4X10 ZINCADO T0804010 (u. 2)	

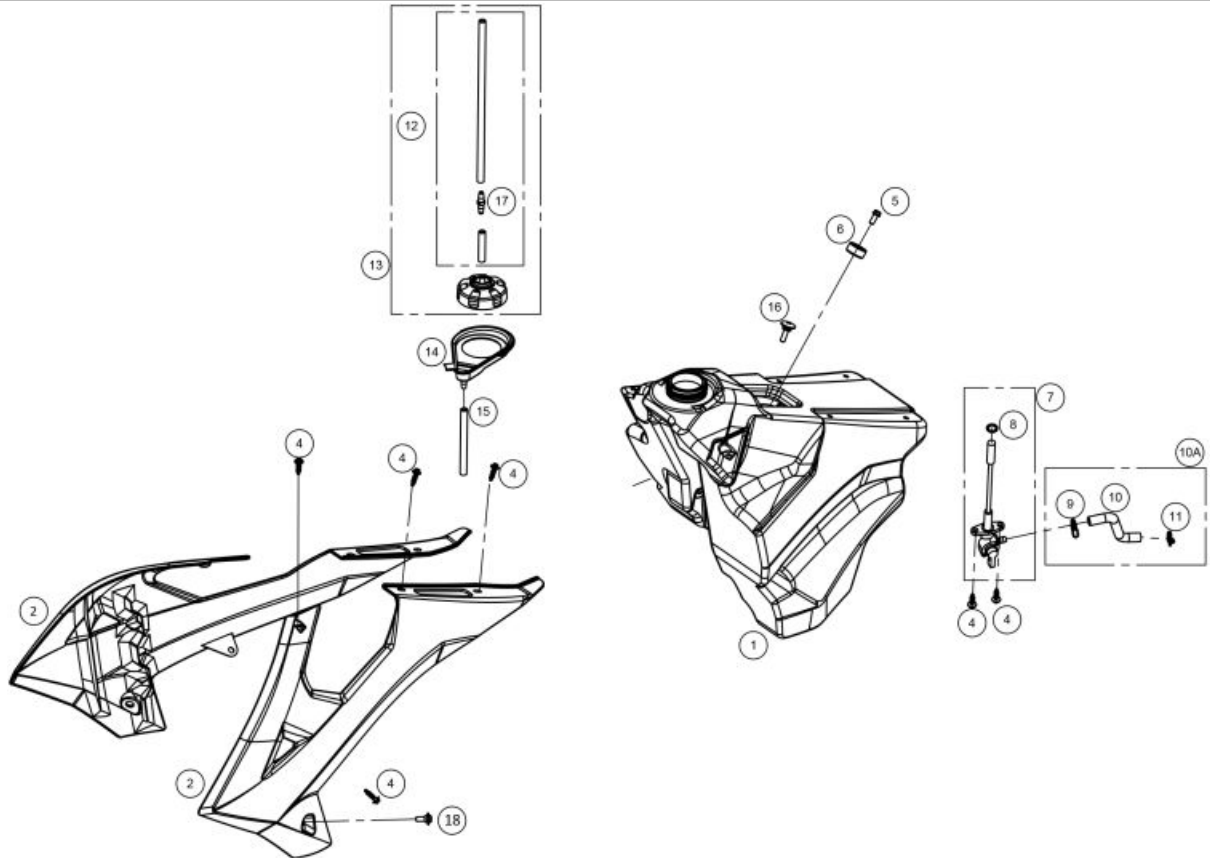
25

TORN.ESP.PLASTICO 4X12 CELO RF87T VERZINKT  
0/000.460.9160 (u. 1)

TORN.ESP.PLASTICO 4X12 CELO RF87T ZINC.  
T0804012 (u. 1)

**OBSOLETO**

**Depósito**

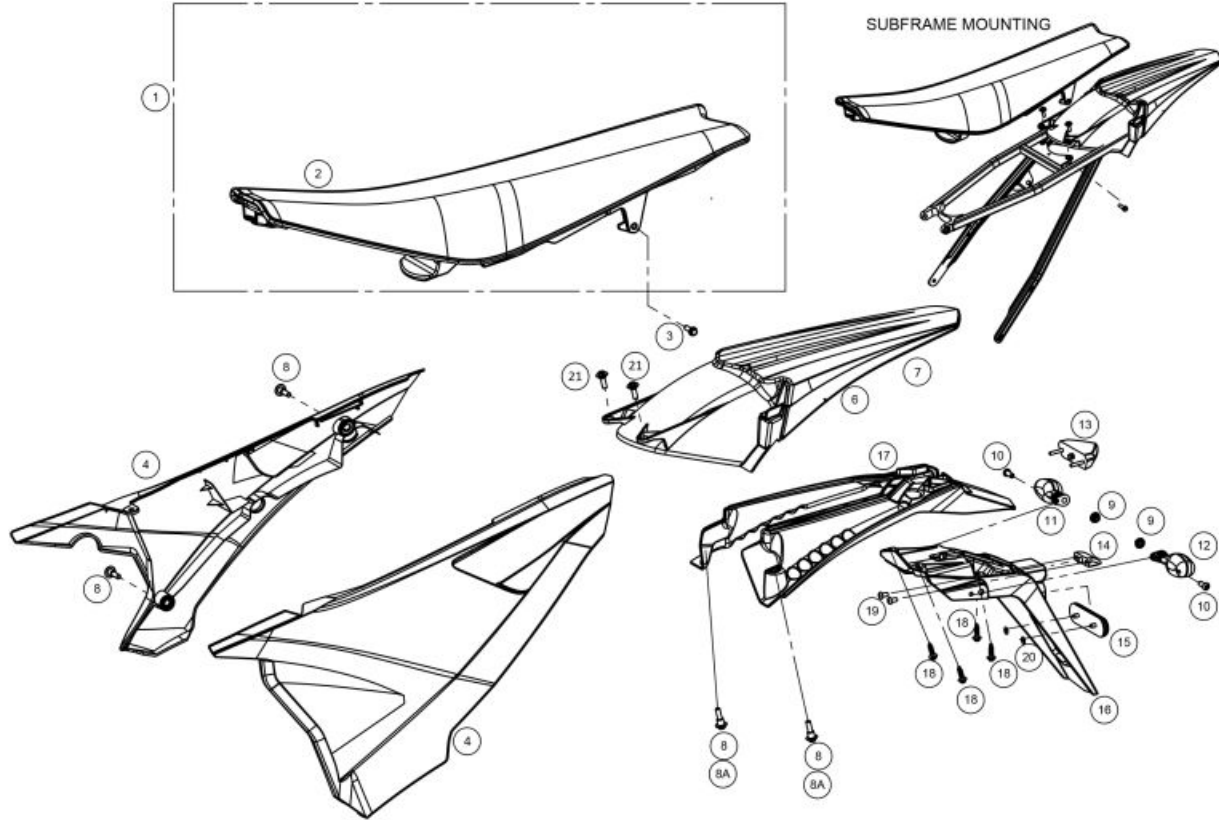


1	DEPOSITO COMBUSTIBLE EUROPA (XPE) ENDURO 2018 0/000.030.9100 (u. 1)	
	DEPOSITO COMBUSTIBLE EUROPA (XPE) ENDURO 2018 BE76000GG-CLJ-1 (u. 1)	<b>OBSOLETO</b>
2	KIT TAPAS RADIADOR SIN INMOULD EC/XC BE92001CT-CLJ-1 (u. 1)	
	KIT PLACAS LATERALES GP 2018 BE92000CT-CRB-1 (u. 1)	
4	TORNILLO ESPECIAL ROSCA PLASTICO CABOTA HEXAGONAL CON ARANDELA 6X20 T0806020 (u. 10)	
	TORNILLO DEPÓSITO - SILLÍN Ø6x23 (EJOT ref. 05100519) T0806023 (u. 10)	
5	EXAG.6x14+ARANDELA INCORP. T0206014 (u. 1)	<b>OBSOLETO</b>
	EXAG+ARANDELA 6x14 DIN 6921 0/000.460.9118 (u. 1)	
6	SILENTBLOCK+ARANDELA Y REGATA DEP.GASOLIN BE76065GG-CLJ-1 (u. 1)	<b>OBSOLETO</b>
	SILENTBLOCK+ARANDELA Y REGATA DEP.GASOLIN 0/000.360.9105 (u. 1)	
7	GRIFO GASOLINA ENDURO 2018 BE76020GG-CLJ-1 (u. 1)	<b>OBSOLETO</b>
	GRIFO GASOLINA ENDURO 2018 0/000.370.9100 (u. 1)	
8	TORICA GRIFO GASOLINA 10X2.5 B740120 (u. 1)	
9	ABRAZ.MOLLA M-11.6-12.3 ZINC CR3 0/000.680.9102 (u. 1)	
	ABRAZ.MOLLA M-11.6-12.3 ROSA 02016098 BE25610044 (u. 1)	<b>OBSOLETO</b>



10A	TUBO GASOLINA ENDURO 2018 BE78005GG-CLJ-1 (u. 1)	OBSOLETO
	TUBO GASOLINA ENDURO 2018 0/000.290.9108 (u. 1)	
10	TUBO GASOLINA ENDURO 2018 DE HOMOLOGACION 0/000.290.9109 (u. 1)	OBSOLETO
	TUBO GASOLINA ENDURO 2018 DE HOMOLOGACION BE78006GG-CLJ-1 (u. 1)	
11	ABRAZ.MOLLA M-12X1.5 BE25610046 (u. 1)	OBSOLETO
	ABRAZ.MOLLA M-12X1.5 ACERO ZN 0/000.680.9103 (u. 1)	
12	CTO.TUBO DESVAP.GASOLINA 26cm BT280310018 (u. 1)	OBSOLETO
	CTO.TUBO DESVAP.GASOLINA 26cm 0/000.290.9115 (u. 1)	
13	CTO.TAP.GASOLINA+TUBO EC 2014 BE76010CT-CAB-1 (u. 1)	
14	REBOSADERO DEP.GASOL. BE76050GG-CLJ-1 (u. 1)	OBSOLETO
	REBOSADERO DEP.GASOL. 0/000.570.9102 (u. 1)	
15	TUBO REBOSADERO DEP.DE GASOLINA ENDURO BE76055GG-CLJ-1 (u. 1)	OBSOLETO
	TUBO REBOSADERO DEP.DE GASOLINA ENDURO 0/000.290.9107 (u. 1)	
16	TORNILLO DEPÓSITO - SILLÍN Ø6x23 (EJOT ref. 05100519) T0806023 (u. 1)	
	TORNILLO ESPECIAL ROSCA PLASTICO CABOTA HEXAGONAL CON ARANDELA 6X20 T0806020 (u. 1)	
17	VALV.DESVAPO.DEP. BT27836025 (u. 1)	
18	TORNILLO ESPECIAL ROSCA PLASTICO CABOTA HEXAGONAL 6X12 T0806012 (u. 2)	OBSOLETO
	TORNILLO ESPECIAL ROSCA PLASTICO CABOTA HEXAGONAL 6X12 DRACOMET 0/000.460.9101 (u. 2)	

**Plástica Trasera**



1	SILLIN ENDURO GP 2018 BE94000GG-CRB-1 (u. 1)	
2	FUNDA SILLIN ENDURO GP 2018 BE94025GG-CRB-1 (u. 1)	
3	TORN.ESP.6X25(10.9) VALONA 11MM T0206025 (u. 1)	<b>OBSOLETO</b>
	TORN.ESP.6X25 DIN 6921 GEOMET 10.9 VALONA 11MM 0/000.460.9121 (u. 1)	
4	KIT TAPAS PORTANUMEROS ROJOS EC 2018-2019 BE93000CT-CRB-1 (u. 1)	
6	GUARDABARROS TRASERO CROSS COUNTRY 2018 ROJO BE93501GG-MXC-1 (u. 1)	
7	GUARDABARROS TRASERO ENDURO GP 2018 ROJO BE93500GG-CRB-1 (u. 1)	
8	TORNILLO ESPECIAL 6X16 PLASTICO CON CENTRADOR T0816016 (u. 2)	<b>OBSOLETO</b>
	TORNILLO ESPECIAL 6X16 CON CENTRADOR DRACOMET 0/000.490.9163 (u. 2)	
9	TUERCA+ARAN.M-6 ESTR. DIN 6923 ZINC 8 0/000.340.9116 (u. 2)	
	TUERCA+ARAN.M-6 (DIN 6923) ESTR. T2206000 (u. 2)	<b>OBSOLETO</b>
10	ULS 6x16 ISO 7380-1 NEGRO 12.9 0/000.460.9156 (u. 2)	
	TORN.ULS 6x16 PL.PRIM,GUAR,FIL NG. T0506016N (u. 2)	<b>OBSOLETO</b>
11	INTERMITENTE DCH.TRAS.2005 BE250634021/2 (u. 1)	<b>OBSOLETO</b>
	INTERMITENTE DCH.TRAS.2005 0/000.150.9102 (u. 1)	<b>OBSOLETO</b>

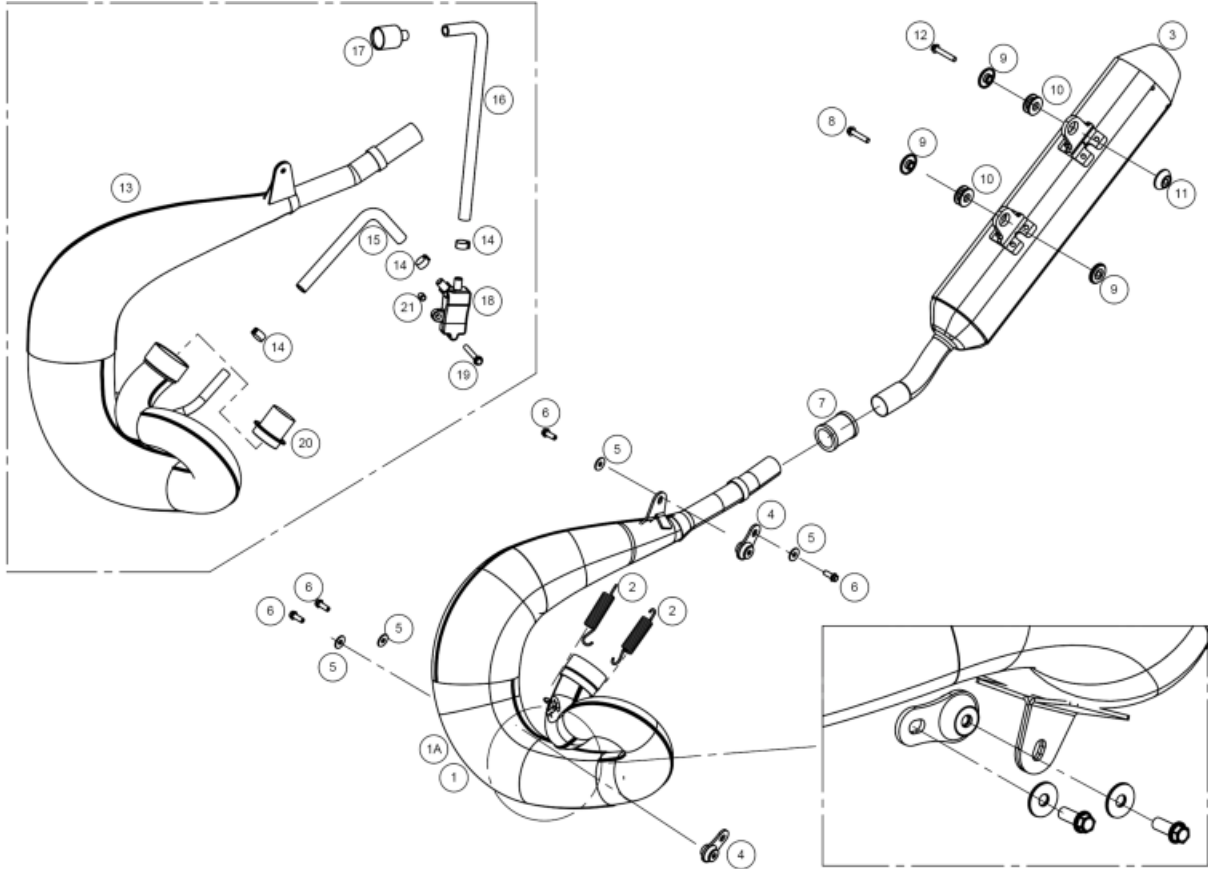
12	INTERMITENTE IZQ.TRAS.2005 BE250634022/2 (u. 1)	OBSOLETO
	INTERMITENTE IZQ.TRAS.2005 0/000.150.9103 (u. 1)	
13	LUZ PILOTO TRASERO LED EE30000GG-CLJ-1 (u. 1)	OBSOLETO
	LUZ PILOTO TRASERO LED 0/000.150.9105 (u. 1)	
14	LUZ MATRICULA (HD008000) 0/000.150.9104 (u. 1)	OBSOLETO
	LUZ MATRICULA (HD008000) BE30020GG-CLJ-1 (u. 1)	
15	CATADIOPTRICO 700R ENDURO 2007 0/000.630.9103 (u. 1)	OBSOLETO
	CATADIOPTRICO 700R ENDURO 2007 BQ300234125/2 (u. 1)	
16	PORTAMATRICULAS HOMOLOGACION BE93910GG-CLJ-1 (u. 1)	OBSOLETO
	PORTAMATRICULAS HOMOLOGACION 0/000.060.9102 (u. 1)	
17	PORTAMATRICULAS CORTO EC 2018 BE93900GG-CLJ-1 (u. 1)	OBSOLETO
	PORTAMATRICULAS CORTO EC 2018 0/000.060.9101 (u. 1)	
18	TORNILLO ESPECIAL ROSCA PLASTICO CABOTA HEXAGONAL CON ARANDELA 6X20 T0806020 (u. 4)	
	TORNILLO DEPÓSITO - SILLÍN Ø6x23 (EJOT ref. 05100519) T0806023 (u. 4)	
19	ULS TORX CON ARAND.4X08 INOX (BN 10649) T0574008 (u. 2)	OBSOLETO
	ULS TORX CON ARAND.4X08 ISO 7380-2 INOX A2 0/000.460.9158 (u. 2)	
20	GRAPA 02110396 SRRM-5 CATADRIOPTICO BQ300234126 (u. 2)	OBSOLETO
	GRAPA 02110396 SRRM-5 CATADRIOPTICO 0/000.440.9102 (u. 2)	
21	TORNILLO ESPECIAL ROSCA PLASTICO CABOTA HEXAGONAL 6X12 DRACOMET 0/000.460.9101 (u. 2)	OBSOLETO
	TORNILLO ESPECIAL ROSCA PLASTICO CABOTA HEXAGONAL 6X12 T0806012 (u. 2)	

## Adhesivos



- |   |   |
|---|---|
| 1 | KIT ADHESIVOS ENDURO GP 2T 2018<br>BE95000CT-CRB-1 (u. 1)           |
| 2 | ADH.CILINDRADA ENDURO GP 250 2018<br>BE95135GG-CRC-1 (u. 2) - 250   |
| 3 | ADH.CILINDRADA ENDURO GP 300 2018<br>BE95135GG-CRB-1 (u. 2) - 300cc |

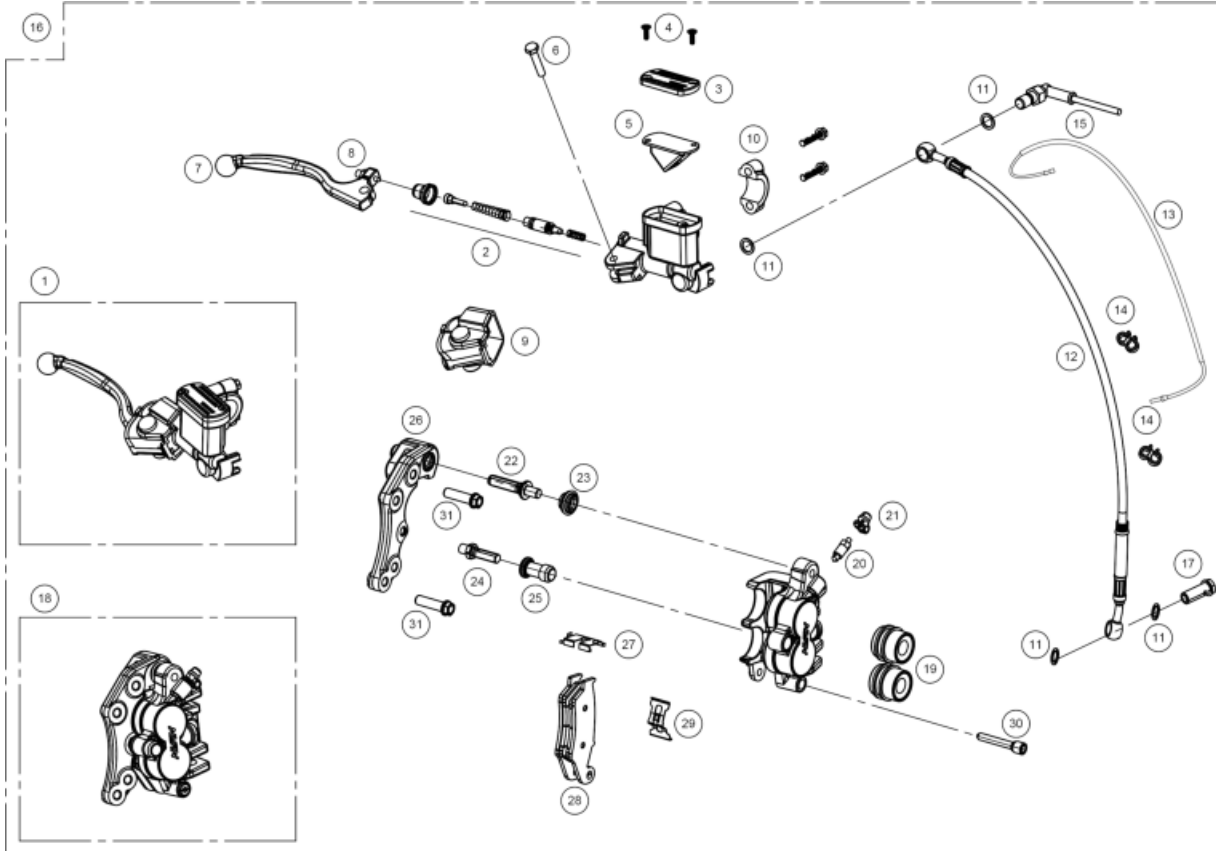
Escape



1	CTO.TUBO ESCAPE EC 2018 FMF BE86001GG-CMZ-1 (u. 1)	
2	MUELLE ESCAPE EC 0/000.470.9106 (u. 2)	
2	MUELLE ESCAPE EC BE86050GG-EKF-1 (u. 2)	OBSOLETO
3	SILENCIADOR FMF POWERCORE 2.1 0/000.870.9101 (u. 1)	
3	SILENCIADOR FMF POWERCORE 2.1 BE87000GG-CLJ-1 (u. 1)	OBSOLETO
4	SILENBLOCK ESCAPE ENDURO BE86055GG-CEQ-1 (u. 2)	OBSOLETO
4	SILENBLOCK ESCAPE ENDURO 0/000.360.9107 (u. 2)	
5	ARANDELA 6X18X1.5 (DIN 9021) T4006018 (u. 4)	OBSOLETO
5	ARANDELA 6X18X1.5 DIN 9021 ZINC 0/000.440.9126 (u. 4)	
6	TORN.ESP.6X16 10.9 ZINC. T0206016 (u. 4)	OBSOLETO
6	TORN.ESP.6X16 DIN 6921 ZINC.10.9 0/000.460.9119 (u. 4)	
7	JUNTA ESCAPE 250 SILIC.5916 0/000.490.9103 (u. 1)	
7	JUNTA ESCAPE 250 SILIC.5916 BE25626003 (u. 1)	OBSOLETO

8	TORN.ESP.M6x30 T0206030 (u. 1)	OBSOLETO
	TORN.ESP.M6x30 DIN 6921 GEOMET 0/000.460.9123 (u. 1)	
9	CASQ.SILENCIADOR CORTO EC 2018 BE87301GG-CLJ-1 (u. 3)	OBSOLETO
	CASQ.SILENCIADOR CORTO EC 2018 0/000.480.9115 (u. 3)	
10	SILENTBLOCK ESCAPE EC 2018 0/000.360.9108 (u. 2)	OBSOLETO
	SILENTBLOCK ESCAPE EC 2018 BE86055GG-CLJ-1 (u. 2)	
11	CASQ.SILENCIADOR LARGO ENDURO 2018 BE87300GG-CLJ-1 (u. 1)	OBSOLETO
	CASQ.SILENCIADOR LARGO ENDURO 2018 0/000.480.9114 (u. 1)	
12	TORN.ESP.M6X35 DIN 6921 GEOMET 0/000.460.9124 (u. 1)	OBSOLETO
	TORN.ESP.M6X35 T0206035 (u. 1)	
13	CTO.TUBO ESCAPE EC 2018 HOMOL. BE86000GG-CLJ-1 (u. 1)	OBSOLETO
	CTO.TUBO ESCAPE EC 2018 HOMOL. 0/000.290.9113 (u. 1)	
14	ABRAZ.COBRA 15 (COBRA 15/8 W4) L200053 (u. 3)	OBSOLETO
	ABRAZ.COBRA D.15/8 W4 INOX A2 0/000.680.9106 (u. 3)	
15	TUBO AIRE SECUNDARIO CORTO EC-2009 BE785502509 (u. 1)	OBSOLETO
	TUBO AIRE SECUNDARIO CORTO EC-2009 0/000.290.9110 (u. 1)	
16	TUBO AIRE SECUNDARIO LARGO EC-2009 BE785551209 (u. 1)	OBSOLETO
	TUBO AIRE SECUNDARIO LARGO EC-2009 0/000.290.9111 (u. 1)	
17	FILTRO AIRE SECUNDARIO TRIAL PRO 2006 CE BT280626059 (u. 1)	
18	VALV.AIRE SECUNDARIO EC-2009 RV-1-037 BE785652509 (u. 1)	OBSOLETO
	VALV.AIRE SECUNDARIO EC-2009 RV-1-037 0/000.640.9100 (u. 1)	
19	TORN.ESP.6x60 Fil.20 10.9 T0206060 (u. 1)	OBSOLETO
	TORN.ESP.6x60 Fil.20 DELTA PROTEK 10.9 0/000.460.9128 (u. 1)	
20	CATALIZADOR EC250-2002 0/001.600.9100 (u. 1)	OBSOLETO
	CATALIZADOR EC250-2002 BE250226250 (u. 1)	
21	CASQ.DIST.PIÑON 0/000.980.9112 (u. 1)	OBSOLETO
	CASQ.DIST.PIÑON ME250036019 (u. 1)	

**Freno Delantero**



**1** BOMBA FRENO DEL.NISSIN=BC25922008  
BC25922008/2 (u. 1)

**2** KIT PISTON FRENO A 113-MK1-GAS  
BC25922219 (u. 1)

**3** TAPA BOMBA 009-M91-099  
BC25922210 (u. 1)

**4** TORN.TAPA BOMBA 049-Z02-064  
BC25922217 (u. 2)

**5** GOMA ANTIESPUMANTE 003-M68-042  
BC25922216 (u. 1)

**6** TORN.ESP.083-M87-012  
BC25922212 (u. 1)

**7** MANETA FRENO TT250 2904 ( 3274 )  
BC250022045R (u. 1)

**8** TENSOR MANETA NISSIN 003-M84-107  
BC25922218 (u. 1)

**9** GUARDAPOLVO  
BC25922213 (u. 1)

**10** BRIDA  
BC25922211 (u. 1)

**11** ARANDELA LATIGUILLO 10X14X1  
BE25622007 (u. 4)

**12** LATIGUILLO FRENO DEL.EC-2004- 740 746112  
BE250422002 (u. 1)

**13** SENSOR CUENTA KM ENDURO  
BE250634050 (u. 1)

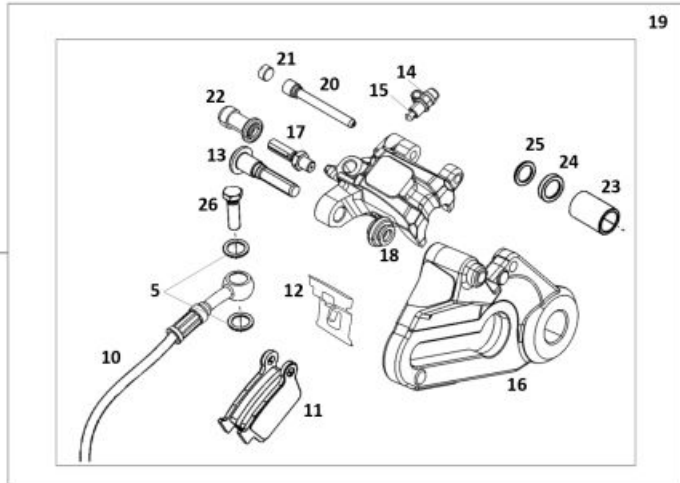
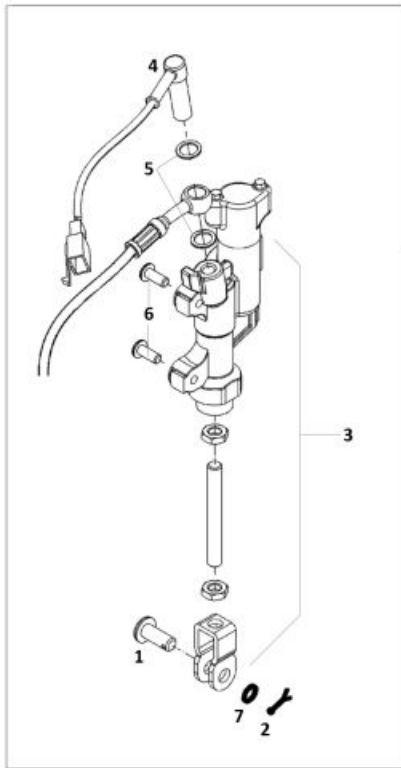
SENSOR CUENTA KM ENDURO  
0/001.010.9100 (u. 1)

**OBSOLETO**

14	GRAPA SUJ.CABLE CT.KM.2008 EE650202508 (u. 2)	OBSOLETO
	GRAPA SUJ.CABLE CT.KM.2008 0/000.630.9104 (u. 2)	
15	INTERRUPTOR 23-016/1 STOP BOMBA NISSIN 3 BE250334003 (u. 1)	OBSOLETO
	INTERRUPTOR 23-016/1 STOP BOMBA NISSIN 3 0/000.720.9104 (u. 1)	
16	CTO.FRENO DEL.PURGADO ENDURO 2004 0/000.820.9107 (u. 1)	OBSOLETO
	CTO.FRENO DEL.PURGADO ENDURO 2004 BE250422108 (u. 1)	
17	RACORD SUJ.LATIGUILLO 10X1,25(9257) BC25722006 (u. 1)	
18	PINZA FRENO DEL+SOP.272-C00-400 EC-2007 0/000.860.9101 (u. 1)	OBSOLETO
	PINZA FRENO DEL+SOP.272-C00-400 EC-2007 BE250722000 (u. 1)	
19	KIT.REP.PISTON 272-C98-129 BE620422508 (u. 1)	
20	KIT SANGRADOR EC 142-D98-103 BE620602508 (u. 1)	
21	TAP.SANGRADOR NISSIN 009-Z51-015 BE250022055 (u. 1)	
22	TORN.GUIA NISSIN 002-C46-086 BE250022092 (u. 1)	OBSOLETO
	TORN.CLAVILLA A PINZA FRENO DEL. BE250022043 (u. 1)	
23	GUARDAPOLVO EC 002-C40-101 BE620682508 (u. 1)	
24	TORN.CLAVIJA PINZA FRENO 082-C48-023 BE250022034 (u. 1)	
25	GUARDAPOLVO PINZA EC 002-C49-104 BE620692508 (u. 1)	
26	SOP.PINZA DEL.EC 002-C08-225 BE620102508 (u. 1)	
27	PLATINA SUJ.PASTILLAS 002-C80-014 BE620122508 (u. 1)	
28	KIT PASTILLAS DEL.EC 002-C94-540 CEX BE620652508 (u. 1)	
29	PLATINA SUJ.PASTILLAS EC 002-C30-110 BE620112508 (u. 1)	
30	PASADOR PAS.PINZA F.DEL.002-C50-031 BE250022041 (u. 1)	
31	TORN.ESP.8X30 T0228030 (u. 2)	OBSOLETO
	TORN.ESP.8X30 GEOMET 10.9 0/000.460.9138 (u. 2)	



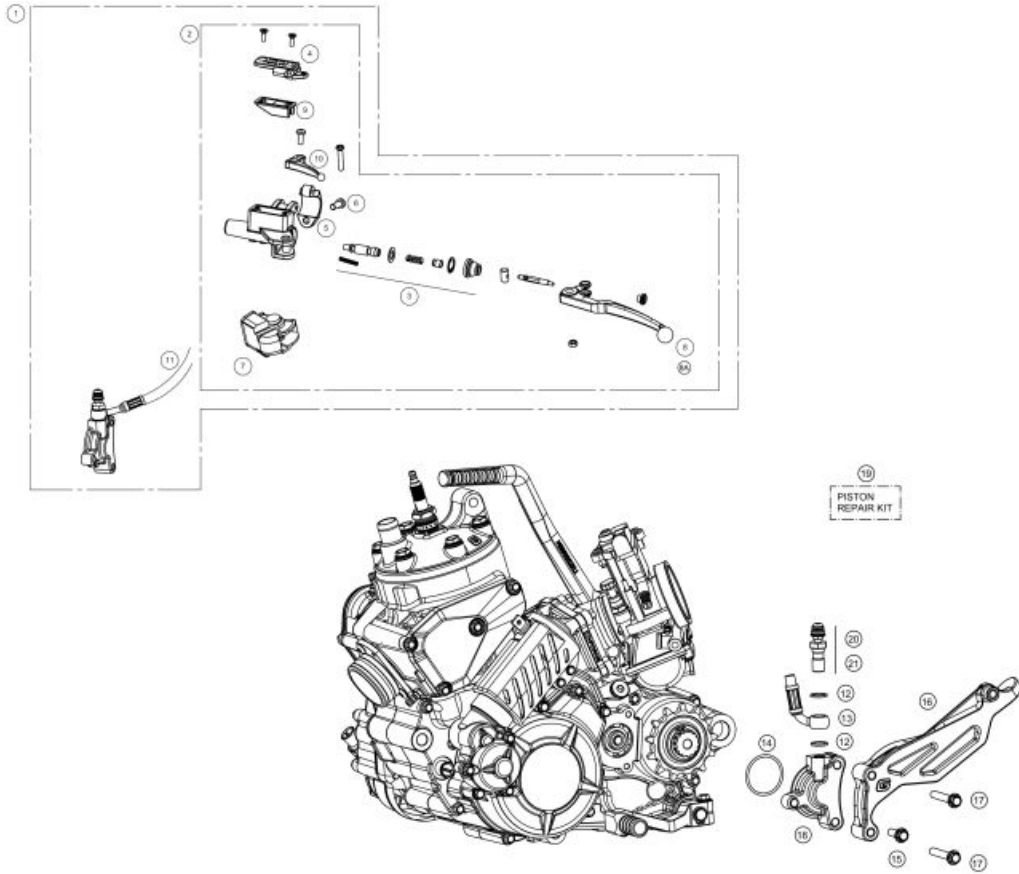
**Freno Trasero**



1	PASADOR 8X20 PEDAL FRENO BE25622026 (u. 1)	<b>OBSOLETO</b>
	PASADOR 8X20 PEDAL FRENO 0/000.840.9101 (u. 1)	
2	CLAVILLA PASADOR FRENO 2X20 0/000.840.9102 (u. 1)	
	CLAVILLA PASADOR FRENO 2X20 BE25622027 (u. 1)	<b>OBSOLETO</b>
3	CTO.BOMBA FRENO TRASERO EC 2018 BE66000GG-CLJ-1 (u. 1)	<b>OBSOLETO</b>
	CTO.BOMBA FRENO TRASERO EC 2018 0/000.820.9105 (u. 1)	
4	INTERRUPTOR 23-016/1 STOP BOMBA NISSIN 3 0/000.720.9104 (u. 1)	
	INTERRUPTOR 23-016/1 STOP BOMBA NISSIN 3 BE250334003 (u. 1)	<b>OBSOLETO</b>
5	ARANDELA LATIGUILLO 10X14X1 BE25622007 (u. 4)	
6	TORN.ESP.6X16 DIN 6921 ZINC.10.9 0/000.460.9119 (u. 2)	
	TORN.ESP.6X16 10.9 ZINC. T0206016 (u. 2)	<b>OBSOLETO</b>
7	ARANDELA DE 8X16X1,5 T4008016 (u. 1)	<b>OBSOLETO</b>
	GUARNIZ. FISSAGGIO TELAIO PARTE POST. 0/000.440.0160 (u. 1)	

	BRIDA UNEX NYLON CORTA 2221-0 2.5X98 =P380003 0/000.660.9106 (u. 3)	
<b>8</b>	BRIDA 2,5x100 T18ROS-PA66HS-BK 0/000.680.0081 (u. 3)	
	BRIDA nylon CORTA 2221-0 2.5X98 =P380003 BE25634010 (u. 3)	<b>OBSOLETO</b>
<b>9</b>	CTO.FRENO TRAS.EC-2018 BE65000CT-CLJ-1 (u. 1)	<b>OBSOLETO</b>
	CTO.FRENO TRAS.EC-2018 0/000.820.9104 (u. 1)	
<b>9A</b>	CTO.FRENO TRASERO CROSS COUNTRY 2018 BE65000CT-CMV-1 (u. 1)	<b>OBSOLETO</b>
<b>10</b>	LATIGUILLO FRENO TRAS.EC-2009 BE661002509 (u. 1)	
<b>11</b>	KIT PASTILLAS FRENO TRAS.EC-2009 002-C94 BE675002509 (u. 1)	
<b>12</b>	PLATINA (B) SUJ.PAST.TRAS.002-C53-101 BE250022091 (u. 1)	
<b>13</b>	TORN.SUJ.PINZA 012-C54-001 BE250022096 (u. 1)	
<b>14</b>	TAP.SANGRADOR NISSIN 009-Z51-015 BE250022055 (u. 1)	
<b>15</b>	SANGRADOR NISSIN 079-Z50-001 BE250022060 (u. 1)	
<b>16</b>	SOP.PINZA FRENO TRAS.NISSIN EC-2009 BE671002509 (u. 1)	
<b>17</b>	TORN.CLAVIJA PINZA FRENO 082-C48-023 BE250022034 (u. 1)	
<b>18</b>	GUARDAPOLVO PINZA FRENO TRAS.EC-2009 250 BE675802509 (u. 1)	
<b>19</b>	CTO.PINZA FRENO TRAS.+SOP.EC-2009 0/000.860.9102 (u. 1)	
	CTO.PINZA FRENO TRAS.+SOP.EC-2009 BE67000CT2509 (u. 1)	<b>OBSOLETO</b>
<b>20</b>	PASADOR PASTILLAS TRAS.002-C50-053 BE250022094 (u. 1)	
<b>21</b>	PROTECC.PASADOR NISSIN 002-C51-012 BE250022095 (u. 1)	
<b>22</b>	GUARDAPOLVO PINZA EC 002-C49-104 BE620692508 (u. 1)	
<b>23</b>	PISTON PINZA FRENO TRAS.EC-2009 252-C34- BE675602509 (u. 1)	
<b>24</b>	RETEN PINZA FRENO TRAS.EC-2009 250-C43-0 BE675502509 (u. 1)	
<b>25</b>	RETEN PINZA FRENO TRAS.EC-2009 BE675552509 (u. 1)	
<b>26</b>	RACORD SUJ.LATIGUILLO 10X1,25(9257) BC25722006 (u. 1)	

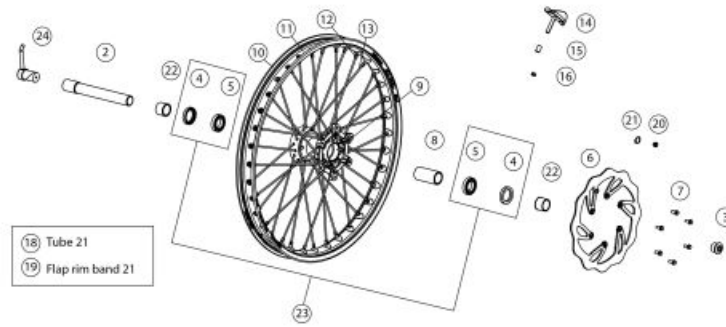
**Mando Embrague**



1	CTO.EMBR.EC MAGURA 9.5 DOT-4 (167) BE45000003011 (u. 1)	<b>OBSOLETO</b>
	CTO.EMBR.EC MAGURA 9.5 DOT-4 (167) 0/000.830.9101 (u. 1)	
2	BOMBA EMBR.MAGURA 9,5 (167) 2000396 BE45000013011 (u. 1)	
3	KIT PISTON 9,5 (0723184) BE45000043011 (u. 1)	
4	TAPA ACEITE MINERAL (0723164) BE45000053011 (u. 1)	
5	BRIDA SUJ.(0723118) BE45000063011 (u. 1)	
6	TORN.ESP.6x20 DIN 6921 GEOMET 10.9 0/000.460.9120 (u. 1)	
	TORN.ESP.6x20 10.9 ZINC.(CEX) T0206020 (u. 1)	<b>OBSOLETO</b>
7	GUARDAPOLVO (0723163) BE45000093011 (u. 1)	
8A	MANETA LARGA EMBR.(0723290) BE45000033011 (u. 1)	
8	MANETA CORTA EMBR.(0723121) BE45000023011 (u. 1)	
9	MEMBRANA DEPOSITO BE45000103011 (u. 1)	
10	LEVA STARTER (0723189) BE45000073011 (u. 1)	
11	LATIGUILLO EMBR.ENDURO (FK003CE021E) BE250522003 (u. 1)	

12	ARANDELA LATIGUILLO 10X14X1 BE25622007 (u. 2)	
13	LATIGUILLO EMBR.ENDURO (FK003CE021E) BE250522003 (u. 1)	
14	TORICA BOMB.EMBR.LIQ.32X2 EPDM ME25632024 (u. 1)	
15	TORN.ESP.6x20 10.9 ZINC.(CEX) T0206020 (u. 1)	OBSOLETO
	TORN.ESP.6x20 DIN 6921 GEOMET 10.9 0/000.460.9120 (u. 1)	
16	KIT PATIN CADENA 3 COMP. BE43015CT-CLJ-1 (u. 1)	
17	TORN.ESP.6x50 Fil.20 10.9 T0206050 (u. 2)	OBSOLETO
	TORN.ESP.6x50 Fil.20 DIN 6921 GEOMET 10.9 0/000.460.9126 (u. 2)	
18	BOMBIN EMBRAGUE ME250632026 (u. 1)	
19	KIT REPARACION BOMBIN EMBR.ACEITE BE250622050 (u. 1)	OBSOLETO
	BOMBIN EMBRAGUE ME250632026 (u. 1)	
20	TAP.SANGRADOR TT BE25622055 (u. 1)	OBSOLETO
	TAP.SANGRADOR FD-G006-00 BT27922055 (u. 1)	
21	SANGRADOR PINZA EMBR.TT BE25622060 (u. 1)	

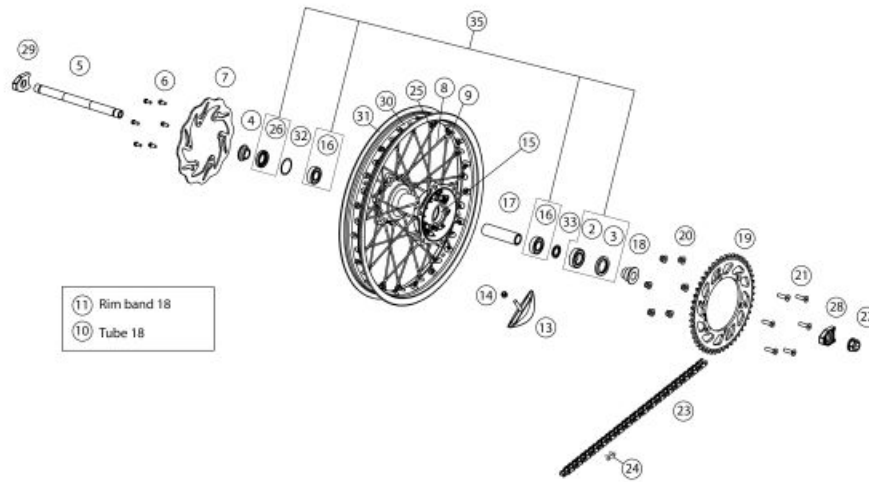
## Rueda Delantera



2	EJE RUEDA DEL.EC-2011 20.8CM BE53000R3011 (u. 1)	OBSOLETO
	EJE RUEDA DEL.EC-2011 20.8CM 0/000.190.9102 (u. 1)	
3	TORN.EJE RUEDA DEL.M-22 EC250-2007 BE250718026 (u. 1)	OBSOLETO
	TUERCA EJE DELANTERO 0/000.340.9100 (u. 1)	
4	RETEN CUBO DEL.390.99.59-30X42X7 BE250418057 (u. 2)	
5	RODAM.61905 2RS1 ME120136055 (u. 2)	
6	DISCO FRENO DELANTERO DIAM.260 FLOTANTE BE52000GG-CRB-1 (u. 1)	
7	EXAG.6x14+ARANDELA GEOMET 10.9 TUFLOK 0/000.460.9142 (u. 1)	OBSOLETO
	EXAG.6x14+ARANDELA 10.9 GEOMET T0246014 (u. 1)	
8	CASQ.SEP.CUBO DEL.390.80.234 BE250418058 (u. 1)	
9	CUBO RUEDA DEL.EC 2014 BE54110GG-CAB-1 (u. 1)	
10	LLANTA DEL.EXCEL NG.EC-2009 BE54001R2509 (u. 1)	OBSOLETO
	LLANTA DEL.EXCEL NG.EC-2009 0/000.230.9101 (u. 1)	
11	CTO.LLANTA DEL.RADIADA NG.EC RACING 2014 BE54000CT-CAW-1 (u. 1)	

12	TUERCA RADIO DEL. BE542503013 (u. 36)	
13	RADIO DEL.EC 2014 BE54200GG-CAW-1 (u. 36)	
14	AGARRE DEL.EC-2009 1.6x21 0/000.220.9114 (u. 1)	
	AGARRE DEL.EC-2009 1.6x21 BE505002509 (u. 1)	OBSOLETO
15	CASQ.AGARRE CUBIERTA EC-2010 8X12X12 BE555102510 (u. 1)	OBSOLETO
	CASQ.AGARRE CUBIERTA EC-2010 8X12X12 0/000.480.9112 (u. 1)	
16	TUERCA AUTOBL.M-8 BAJA DIN 985 ZINC 0/000.340.9114 (u. 1)	
	TUERCA AUTOBLOCANTE M-8 BAJA DIN 985 ZINC. T2108001 (u. 1)	OBSOLETO
18	CAMARA DELANTERA 21MDR VALVE TR4 BE502002511 (u. 1)	OBSOLETO
	CAMARA DELANTERA 21MDR VALVE TR4 833092 0/000.520.9100 (u. 1)	
19	PROTECTOR BANDA DELANTERA FLAP 1.60/1.85 X 21(1400X25) BE503002511 (u. 1)	OBSOLETO
	PROT.BANDA DEL.FLAP 1.60/1.85 X 21(1400X25) 949947 0/000.220.9108 (u. 1)	
20	IMAN EC 2010 BE520502510 (u. 1)	OBSOLETO
	IMAN EC 2010 0/001.010.9101 (u. 1)	
21	SEGEER A 9 DIN 471 SOP.IMAN EC 2010 BE520602510 (u. 1)	OBSOLETO
	SEGEER A 9 SOP.IMAN EC 2010 DIN 471 PAVONADO NEGRO 0/000.300.9100 (u. 1)	
22	CASQUILLO RUEDA DELANTERA 0/000.480.9100 (u. 2)	
	DIST.RUEDA DEL.2004 BC250418019 (u. 2)	OBSOLETO
23	KIT COJINETES I RETENES RUEDA DEL. BE51000CT2510 (u. 1)	
24	TIRADOR EJE DEL.EC 0/000.980.9123 (u. 1)	
	TIRADOR EJE DEL.EC BE536002511 (u. 1)	OBSOLETO

**Rueda Trasera**



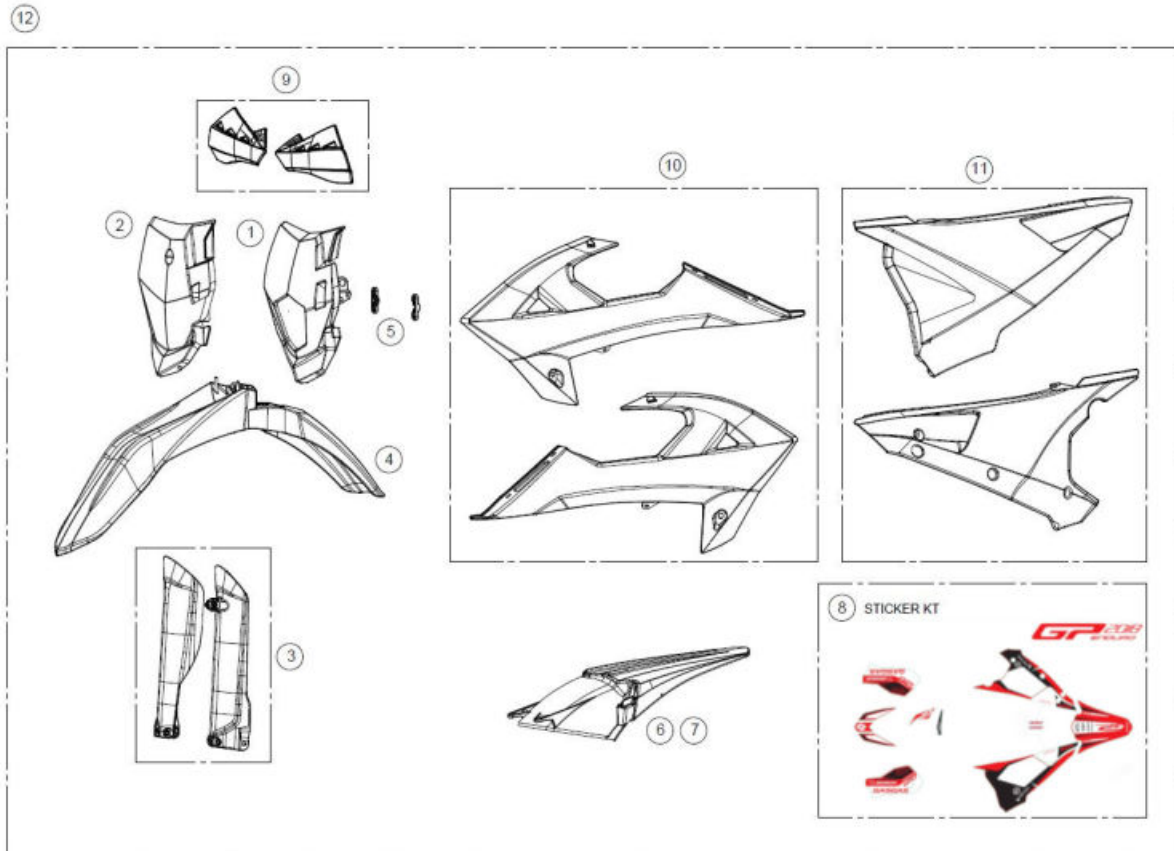
2	COJINETE RUEDA TRAS.6005-2SRH C3 BE250318054 (u. 1)	
3	RETEN RUEDA TT 2003 32X47X7 BE250318055 (u. 1)	
4	DIST.RUEDA TRAS.CORTO EC-2000 0/000.480.9104 (u. 1)	
	DIST.RUEDA TRAS.CORTO EC-2000 BE250018025 (u. 1)	<b>OBSOLETO</b>
5	EJE RUEDA TRAS.EC 2018 0/000.190.9103 (u. 1)	
	EJE RUEDA TRAS.EC 2018 BE58000GG-CLJ-1 (u. 1)	<b>OBSOLETO</b>
6	EXAG.6x14+ARANDELA INCOMP. T0206014 (u. 6)	<b>OBSOLETO</b>
	EXAG+ARANDELA 6x14 DIN 6921 0/000.460.9118 (u. 6)	
7	DISCO FRENO TRASERO ENDURO 2018 BE57000GG-CLJ-1 (u. 1)	<b>OBSOLETO</b>
	DISCO FRENO TRASERO ENDURO 2018 220mm 0/001.090.9103 (u. 1)	
8	RADIO 192X4.5 LADO FRENO 18' BE59200GG-CAW-1 (u. 18)	
9	RADIO 188X4.5 LADO CORONA 18' BE59210GG-CAW-1 (u. 18)	
10	CAMARA TRASERA CH 18 MGR VALVE TR4 MICHELIN BE552002511 (u. 1)	<b>OBSOLETO</b>
	CAMARA TRASERA CH 18 MGR VALVE TR4 MICHELIN 0/000.520.9102 (u. 1)	

11	PROT.BANDA TRASERO 1.60/2.00 X 18/19 (1300X25) 656415 MICHELIN 0/000.220.9110 (u. 1)	
	PROT.BANDA TRASERO 1.60/2.00 X 18/19 (1300X25) 656415 MICHELIN BE553002511 (u. 1)	OBSOLETO
13	AGARRE TRAS.EC-2009 2.15x18 0/000.220.9115 (u. 1)	
	AGARRE TRAS.EC-2009 2.15x18 BE555002509 (u. 1)	OBSOLETO
14	TUERCA AUTOBLOCANTE M-8 BAJA DIN 985 ZINC. T2108001 (u. 1)	OBSOLETO
	TUERCA AUTOBL.M-8 BAJA DIN 985 ZINC 0/000.340.9114 (u. 1)	
15	CUBO RUEDA TRASERA EC 2018 BE59100GG-CLJ-1 (u. 1)	
16	COJINETE 6004 2RS1 C160001 (u. 2)	
17	DISTANCIADOR INTERIOR BUJE TRASERO ENDURO 2018 BE59105GG-CLJ-1 (u. 1)	
18	DIST.RUEDA TRAS.IZQ.ENDURO 2018 BE58110GG-CLJ-1 (u. 1)	OBSOLETO
	DIST.RUEDA TRAS.IZQ.ENDURO 2018 0/000.480.9113 (u. 1)	
19	CORONA Z-48 ENDURO NG. BE250418034N (u. 1)	
	CORONA ALUMINIO Z49 COLOR NEGRO BE57300GG-CRC-1 (u. 1)	
20	TUERCA AUTOBL + ARANDELA M8 ZINC 0/000.340.9119 (u. 6)	
	TUERCA AUTOBL+ARANDELA M8 T2208002 (u. 6)	OBSOLETO
21	ALLEN+8X30 TENS.CAD. T0408030 (u. 6)	OBSOLETO
	ALLEN CONICO 8X30 DIN 7991 ZINC 12.9 0/000.460.9153 (u. 6)	
22	TUERCA RUEDA TRAS.ENDURO 2018 0/000.340.9104 (u. 1)	
	TUERCA RUEDA TRAS.ENDURO 2018 BE58020GG-CLJ-1 (u. 1)	OBSOLETO
23	CADENA ABIERTA 135 ZRA 112 PASOS CON CLIP 0/001.050.9100 (u. 1)	
	CADENA ABIERTA 135 ZRA 112 PASOS CON CLIP BE57800GG-CLJ-1 (u. 1)	OBSOLETO
24	ENGANCHE CADENA ENDURO 2018 BE57810GG-CLJ-1 (u. 1)	
25	TUERCA RADIO TRASERO BE592153013 (u. 36)	
26	RETEN RUEDA DEL.TT 25x42x7 C160710 (u. 1)	
28	TENSOR CADENA CIEGO ENDURO 2018 0/000.380.9100 (u. 1)	
	TENSOR CADENA CIEGO ENDURO 2018 BE44001GG-CLJ-1 (u. 1)	OBSOLETO
29	TENSOR CADENA PASANTE ENDURO 2018 BE44002GG-CLJ-1 (u. 1)	OBSOLETO
	TENSOR CADENA PASANTE ENDURO 2018 0/000.380.9101 (u. 1)	



<b>30</b>	CTO.LLANTA TRASERA RADIADA ENDURO GP 2018 BE59000CT-CRB-1 (u. 1)	<b>OBSOLETO</b>
<b>31</b>	LLANTA TRAS.EXCEL NG.EC-2009 0/000.230.9103 (u. 1)	
	LLANTA TRAS.EXCEL NG.EC-2009 BE59001R2509 (u. 1)	<b>OBSOLETO</b>
<b>32</b>	ANILLO SEGEER DIA.42 BE25618038 (u. 1)	
<b>33</b>	ARANDELA SUPLEMENTO RODA.490.80.096 BE250318056 (u. 1)	
<b>35</b>	KIT COJINETES I RETENES RUEDA TRAS. BE56000CT2510 (u. 1)	

**PLASTIC + DECAL SET EC GP 2018**



PORTAFARO DEL.EC 2018 BL.  
0/000.620.9100 (u. 1)

**1** PORTAFARO DEL.EC 2018 BL.  
BE90500GG-CLJ-1 (u. 1)

PORTAFARO DEL.EC 2018 BL.  
BE90500GG-CLJ-1 (u. 1)

**2** PLACA PORTANUMEROS DELANTERA CROSS COUNTRY 2018 BLANCA  
BE90500GG-MXC-1 (u. 1)

**3** JUEGO PROT.HORQ.EC 2018 BL.  
BE94600CT-CLJ-1 (u. 1)

**4** GUARDAB.DEL.EC 2018 ROJO  
BE91000GG-CLJ-1 (u. 1)

**5** SOP.FARO BL.  
BE905102511 (u. 2)

**OBSOLETO**

SOP.FARO BL.  
0/000.980.9104 (u. 2)

**6** GUARDABARROS TRASERO ENDURO GP 2018 ROJO  
BE93500GG-CRB-1 (u. 1)

**7** GUARDABARROS TRASERO CROSS COUNTRY 2018 ROJO  
BE93501GG-MXC-1 (u. 1)

**8** KIT ADHESIVOS ENDURO GP 2T 2018  
BE95000CT-CRB-1 (u. 1)

**9** CTO.PARAMANOS ENDURO GP 2018 BLANCO CON INMOLD  
BE94500CT-CRB-1 (u. 1)

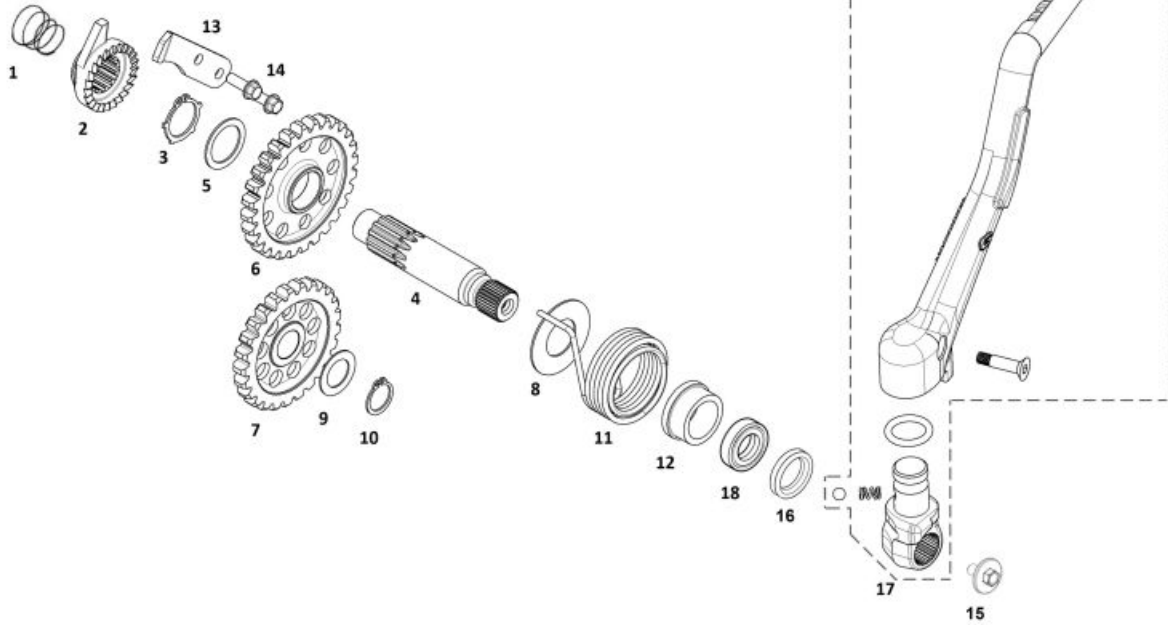
**10** KIT PLACAS LATERALES GP 2018  
BE92000CT-CRB-1 (u. 1)

**11** KIT TAPAS PORTANUMEROS ROJOS EC 2018-2019  
BE93000CT-CRB-1 (u. 1)

<b>12</b>	KIT PLASTICA ENDURO GP 2018 BE90000CT-CRB-1 (u. 1)
-----------	---

# ENDURO GP 2T 2018 - Engine

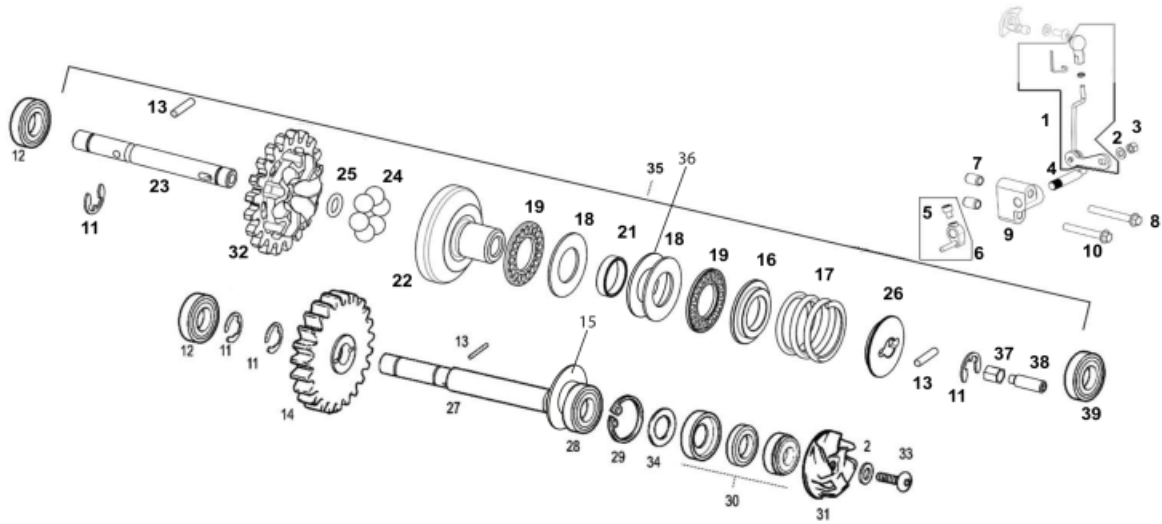
## Palanca de arranque



1	MUELLE TRINQUETE ARRANQUE 0/000.470.9109 (u. 1)	
	MUELLE TRINQUETE ARRANQUE ME25636006 (u. 1)	OBSOLETO
2	TRINQUETE ARRANQUE EC125cc ME120126004 (u. 1)	OBSOLETO
	TRINQUETE ARRANQUE EC125cc 0/005.400.9110 (u. 1)	
3	SEEGER D.20 DIN 471 0/000.300.9105 (u. 1)	
	SEEGER DE 20 ARRANQUE=M03615000 ME25636052 (u. 1)	OBSOLETO
4	EJE ARRANQUE EC-2001 ME250126003 (u. 1)	OBSOLETO
	EJE ARRANQUE EC-2001 0/005.400.9106 (u. 1)	
5	ARAN.TOPE 27X20.2X1 DESPL ARRAN. ME25636000 (u. 1)	OBSOLETO
	ARAN.TOPE 27X20.2X1 DESPL ARRAN. 0/000.440.9109 (u. 1)	
6	PIÑON ARRANQUE EC-2001 ME250126002 (u. 1)	OBSOLETO
	PIÑON ARRANQUE EC-2001 0/005.400.9105 (u. 1)	
7	PIÑON INT.ARRANQUE EC-2008 0/005.400.9108 (u. 1)	
	PIÑON INT.ARRANQUE EC-2008 ME880002508 (u. 1)	OBSOLETO
8	ARANDELA ARRANQUE 20X40X1 ME25636051 (u. 1)	OBSOLETO
	ARANDELA ARRANQUE 20X40X1 0/000.440.9111 (u. 1)	

9	VOLANDERA PIÑON ARRAN.24X15.15X0.8 0/000.440.9110 (u. 1)	
	VOLANDERA PIÑON ARRAN.24X15.15X0.8 ME25636012 (u. 1)	OBSOLETO
10	SEEGER D 15MM DIN 471 PIÑON INT.ARRANQUE M02623000 (u. 1)	OBSOLETO
	SEEGER D.15MM DIN 471 0/000.300.9101 (u. 1)	
11	MUELLE ARRANQUE ME86000GG-CAB-1 (u. 1)	OBSOLETO
	MUELLE ARRANQUE 0/000.470.9110 (u. 1)	
12	CASQ.CENTRADOR MUELLE ARRANQUE ME86500GG-CAB-1 (u. 1)	OBSOLETO
	CASQ.CENTRADOR MUELLE ARRANQUE 0/000.480.9125 (u. 1)	
13	PLATINA TRINQUETE ARRANQUE ME25636005 (u. 1)	OBSOLETO
	PLATINA TRINQUETE ARRANQUE 0/000.980.9114 (u. 1)	
14	TORN.ESP.+ARAND.5x15 ZI T0205015 (u. 2)	OBSOLETO
	TORN.ESP.+ARAND.5x15 DIN 6921 GEOMET 10.9 0/000.460.9115 (u. 2)	
15	TORNILLO ESPECIAL 6X11 GEOMET 10.9 0/000.460.9134 (u. 1)	
	TORNILLO ESPECIAL 6X11 10.9 T0226011 (u. 1)	OBSOLETO
16	CASQ.TOPE PEDAL ARRANQUE EC 2014 ME89025GG-CAB-1 (u. 1)	OBSOLETO
	CASQ.TOPE PEDAL ARRANQUE EC 2014 0/000.480.9126 (u. 1)	
17	PEDAL ARRANQUE Y MUÑEQUILLA EC 250 4T 20 MFS890002510 (u. 1)	OBSOLETO
	CTO.PEDAL ARRANQUE ME89000CT2511 (u. 1)	OBSOLETO
	CTO.PEDAL ARRANQUE 0/005.430.9101 (u. 1)	
18	RETEN PEDAL ARRAN.20X30X7 0/000.890.9105 (u. 1)	
	RETEN PEDAL ARRAN.20X30X7 ME25632021 (u. 1)	OBSOLETO

**Bomba de agua**

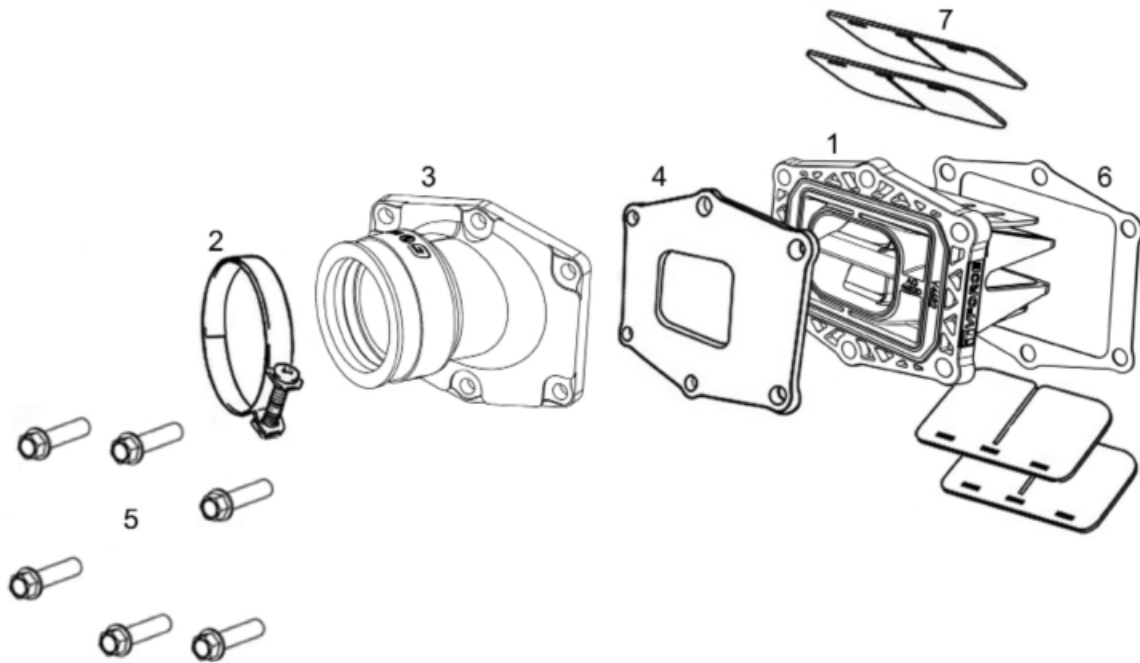


1	CTO.VARILLA VALV.ESCAPE COMPLETO EC 2015 ME72325CT-CEQ-1 (u. 1)	OBSOLETO
	CTO.VARILLA VALV.ESCAPE COMPLETO EC 2015 0/000.640.9104 (u. 1)	
2	ARANDELA 5X12X1.5 DIN 125A ZINC 0/000.440.9121 (u. 2)	
	ARANDELA 5X12X1.5 T4005012 (u. 2)	OBSOLETO
3	TUERCA AUTOBL.DIN-985 M-5 ZN BAJA T2105000 (u. 1)	OBSOLETO
	TUERCA AUTOBL. M-5 BAJA DIN-985 ZINC 8 0/000.340.9112 (u. 1)	
4	EJE PALANCA CENTRIFUGO ME59035GG-CEQ-1 (u. 1)	OBSOLETO
	EJE PALANCA CENTRIFUGO 0/000.190.9108 (u. 1)	
5	ALLEN 5 X 6 (12.9) T0305006 (u. 1)	
6	CTO.PALANCA SALIDA CENTRIF. EC 300 2011 ME59045CT-CEQ-1 (u. 1)	OBSOLETO
	CTO.PALANCA SALIDA CENTRIF. EC 300 2011 0/005.490.9101 (u. 1)	
7	CASQ.CENTRADOR CARTER 6X9X14 =ME25610018 M01017000 (u. 2)	OBSOLETO
	CASQ.CENTRADOR CARTER 6X9X14 =ME25610018 0/000.480.9119 (u. 2)	
8	TORN.ESP.6x60 Fil.20 10.9 T0206060 (u. 1)	OBSOLETO
	TORN.ESP.6x60 Fil.20 DELTA PROTEK 10.9 0/000.460.9128 (u. 1)	
9	SOPORTE EJE MANDO VALVULA EC 2015 ME59040GG-CEQ-1 (u. 1)	OBSOLETO
	SOPORTE EJE MANDO VALVULA EC 2015 0/000.980.9115 (u. 1)	

10	TORN.ESP.6x40 Fil.20 T0206040 (u. 1)	OBSOLETO
	TORN.ESP.6x40 Fil.20 GEOMET 10.9 0/000.460.9125 (u. 1)	
11	SEEGER DIN 6799 E-7 ME25616024 (u. 4)	OBSOLETO
	SEEGER DIN 6799 E-7 0/000.300.9103 (u. 4)	
12	RODA.EJE CENTRI.Y BOMBA 608.Z.C3 0/000.960.9108 (u. 2)	OBSOLETO
	RODA.EJE CENTRI.Y BOMBA 608.Z.C3 ME25616032 (u. 2)	
13	RODILLO 3X14 .DIN 7 ISO 2338 INOX A1 BOMBA AGUA CENTRIFUGO 0/000.280.9101 (u. 3)	OBSOLETO
	RODILLO 3X14 BOMBA AGUA CENTRI. ME25616028 (u. 3)	
14	PIÑON BOMBA AGUA Y CENTRI. 0/005.400.9111 (u. 1)	OBSOLETO
	PIÑON BOMBA AGUA Y CENTRI. ME25610005 (u. 1)	
15	ARANDELA DIAM.10 X DIAM.19 X 0,5 MFS450526516 (u. 1)	OBSOLETO
	ARANDELA DIAM.10 X DIAM.19 X 0,5 0/000.440.9113 (u. 1)	
16	RETEN RESORTE ME59026GG-CEQ-1 (u. 1) - 250cc / 300cc	OBSOLETO
	RETEN RESORTE ME59026GG-CDQ-1 (u. 1) - 200cc	
17	MUELLE CENTRIFUGO VALV.ESC.99 ME25916026 (u. 1) - 250cc / 300cc	OBSOLETO
18	PLACA AGUJA ROD.BOLET Y VAL.ESCAPE AS 15 0/000.440.9107 (u. 2)	OBSOLETO
	PLACA AGUJA ROD.BOLET Y VAL.ESCAPE AS 15 ME25632016 (u. 2)	
19	JAULA AGUJA VALV.ESCAPE AXK 1528 0/000.960.9109 (u. 2)	OBSOLETO
	JAULA AGUJA VALV.ESCAPE AXK 1528 ME25632046 (u. 2)	
21	SEP.COJINETE CENTRIFUGO ME25616008 (u. 1)	OBSOLETO
22	CAMPANA CENTRIFUGO EC 2015 ME59030GG-CEQ-1 (u. 1)	OBSOLETO
23	EJE CENTRIFUGO EC 2015 ME59015GG-CEQ-1 (u. 1)	OBSOLETO
24	BOLA CENTRIFUGO EMB.DE 8 m/m. ME25616033 (u. 6)	OBSOLETO
25	TORICA 6X2 EJE CENTR.VAL.ESCAPE ME25616045 (u. 1)	OBSOLETO
26	ARAMDELA APYO MUELLE EC 300 2015 ME59025GG-CEQ-1 (u. 1) - 250cc / 300cc	OBSOLETO
	ARANDELA DE APOYO MUELLE EC 200 2015 ME59025GG-CDQ-1 (u. 1) - 200cc	
27	EJE PIÑON BOMBA AGUA ME25610006 (u. 1)	OBSOLETO
	EJE PIÑON BOMBA AGUA 0/000.190.9104 (u. 1)	

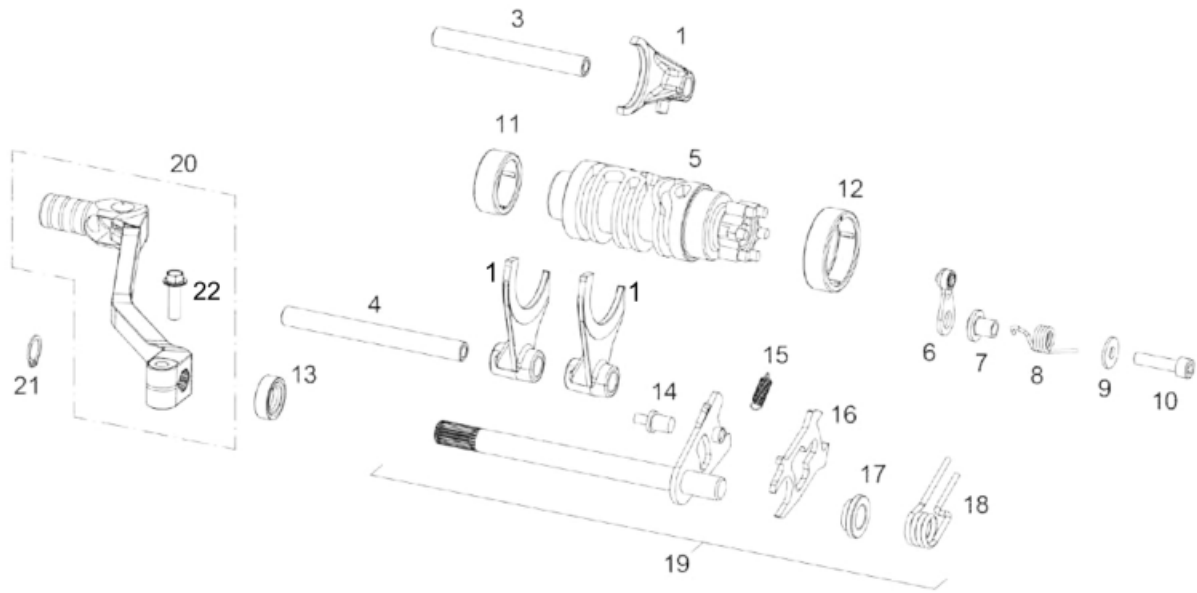


28	RODAM.BOMBA AGUA 6000C3Z =M03313001 ME25610010 (u. 1)	OBSOLETO
	RODAM.BOMBA AGUA 6000C3Z =M03313001 0/000.960.9107 (u. 1)	
29	SEEGER D.26 DIN 472-I26 0/000.300.9106 (u. 1)	OBSOLETO
	SEEGER INT.26 B.AGUA=M03314012 DIN 472-I26 ME25636065 (u. 1)	
30	RETEN BOMBA AGUA (ESTOPADA) 1510 CA/CE 1 ME25610011 (u. 1)	OBSOLETO
	RETEN BOMBA AGUA (ESTOPADA) 1510 CA/CE 1 0/000.890.9104 (u. 1)	
31	TURBINA BOMBA AGUA 2014 ME56000GG-CAB-1 (u. 1)	OBSOLETO
	TURBINA BOMBA AGUA 2014 0/005.220.9100 (u. 1)	
32	PIÑON CENTRIFUGO EC 300 2015 ME59050GG-CEQ-1 (u. 1)	
33	TORNILLO ULS 6X16 ISO 7380-1 ZINC 12.9 T0506016 (u. 1)	
34	ARANDELA 25.8x17.5x0.5 BOMBA AGUA 0/000.440.9103 (u. 1)	OBSOLETO
	ARANDELA 25.8x17.5x0.5 BOMBA AGUA M03625000 (u. 1)	
35	CENTRIFUGO COMPLETO EC 300 2015 ME59000CT-CEQ-1 (u. 1)	OBSOLETO
	CENTRIFUGO COMPLETO EC 300 2015 0/000.640.9101 (u. 1)	
	CENTRIFUGO COMPLETO EC 200 2019 0/000.640.9102 (u. 1)	
	CENTRIFUGO COMPLETO EC 200 2019 ME59000CT-CLP-1 (u. 1)	OBSOLETO
36	ARANDELA 15X28X0.8 Y00.25406408 (u. 1)	
37	TUERCA HEXAGONAL 6 M5 T2706050 (u. 1)	
38	TORNILLO DE AJUSTE HEXA.INT.M5X16 T0325016 (u. 1)	
39	RODAMIENTO BOL. 619/8-ZZ ME21500GG-CEQ-1 (u. 1)	OBSOLETO
	RODAMIENTO BOL. 619/8-ZZ 0/000.960.9105 (u. 1)	

**Válvula de láminas**


1	CAJA LAMINAS V-FORCE 4 0/005.600.9100 (u. 1)	
	CAJA LAMINAS V-FORCE 4 ME25000GG-CAB-1 (u. 1)	<b>OBSOLETO</b>
2	ABRAZ.S56/9 W1 MT280316132 (u. 1)	<b>OBSOLETO</b>
	ABRAZ.S56/9 W1 ZINC 0/000.680.9109 (u. 1)	
3	TUBERA ADMISION ENDURO 2018 ME26000GG-CLJ-1 (u. 1)	<b>OBSOLETO</b>
	TUBERA ADMISION ENDURO 2018 0/000.290.9116 (u. 1)	
4	JUNTA CAJA LAMINAS TUBERA ENDURO 2018 ME44105GG-CLJ-1 (u. 1)	<b>OBSOLETO</b>
	JUNTA CAJA LAMINAS TUBERA ENDURO 2018 0/000.490.9114 (u. 1)	
5	TORN.ESP.6X25 DIN 6921 GEOMET 10.9 VALONA 11MM 0/000.460.9121 (u. 6)	
	TORN.ESP.6X25(10.9) VALONA 11MM T0206025 (u. 6)	<b>OBSOLETO</b>
6	JUNTA CAJA LAMINAS- CARTER V-FORCE 4 ME94600GG-CAB-1 (u. 1)	<b>OBSOLETO</b>
	JUNTA CAJA LAMINAS- CARTER V-FORCE 4 0/000.490.9120 (u. 1)	
7	JUEGO LAMINAS ADMISION ME27000GG-CAB-1 (u. 2)	

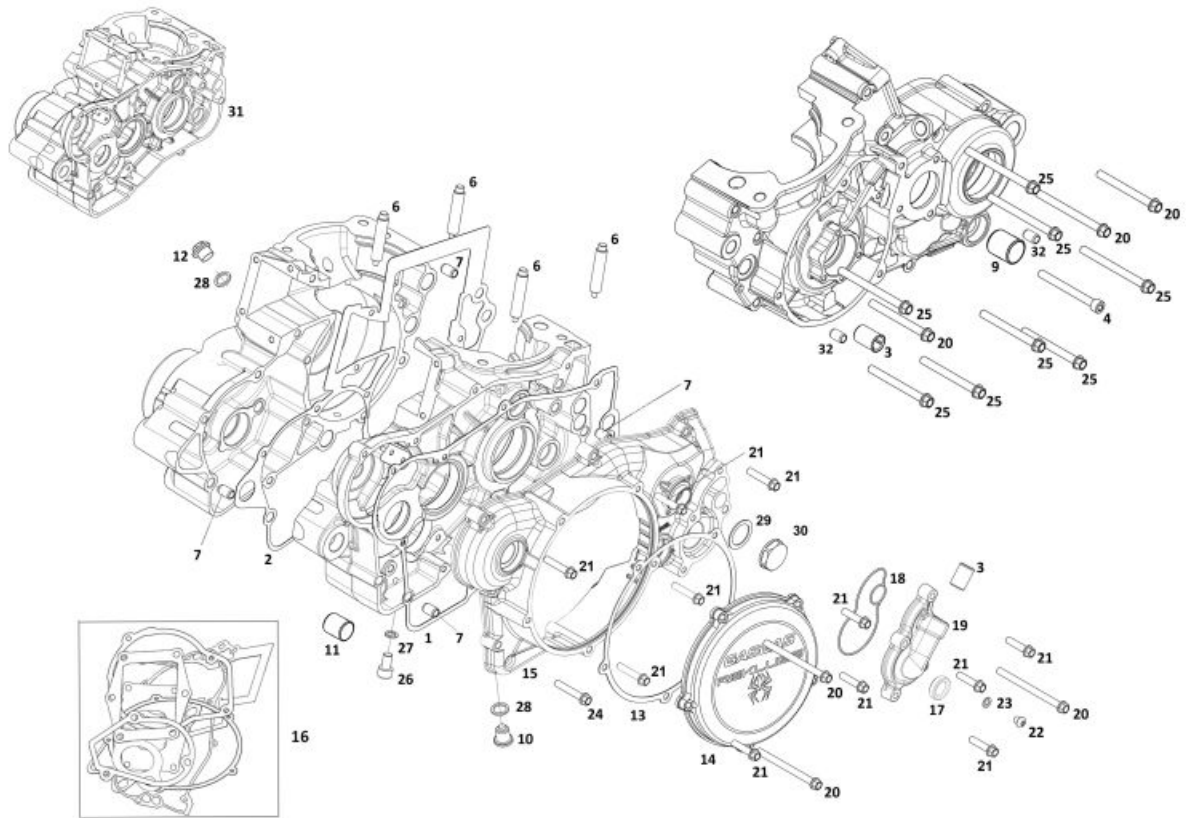
**Eje de Cambio**



1	KIT HORQUILLAS PRIMARIO Y SECUNDARIO ENDURO 2018 ME47000CT-CLJ-1 (u. 1)	
3	EJE HORQ.CORTO 0/000.190.9107 (u. 1)	
	EJE HORQ.CORTO ME25636045 (u. 1)	OBSOLETO
4	EJE HORQ.LARGO 0/000.190.9106 (u. 1)	
	EJE HORQ.LARGO ME25636044 (u. 1)	OBSOLETO
5	DESMODROMICO EC-2005 ME250536031 (u. 1)	OBSOLETO
	DESMODROMICO EC-2005 0/005.090.9100 (u. 1)	
6	FIJADOR MARCHAS EC COMP. ME250036033CT (u. 1)	OBSOLETO
	FIJADOR MARCHAS EC COMP. 0/005.560.9100 (u. 1)	
7	CASQU.PLATINA FIJ.MARCHAS ME25636047 (u. 1)	OBSOLETO
	CASQU.PLATINA FIJ.MARCHAS 0/000.480.9122 (u. 1)	
8	MUELLE FIJADOR MARCHAS EC-2000 0/000.470.9108 (u. 1)	
	MUELLE FIJADOR MARCHAS EC-2000 ME250036034 (u. 1)	OBSOLETO
9	ARANDELA PLANA 6.5X16X1.5 DIN 125 ZINC 0/000.440.9125 (u. 1)	
	ARANDELA PLANA 6.5X16X1.5 T4006016 (u. 1)	OBSOLETO
10	TORN.ESP.6X25(10.9) VALONA 11MM T0206025 (u. 1)	OBSOLETO
	TORN.ESP.6X25 DIN 6921 GEOMET 10.9 VALONA 11MM 0/000.460.9121 (u. 1)	

11	RODAM.DESMODROMICO HK2512 =M03645000 ME25636055 (u. 1)	OBSOLETO
	RODAM.DESMODROMICO HK2512 =M03645000 0/000.960.9111 (u. 1)	
12	ROD.DESMO.HK3512=M03650000 0/000.960.9110 (u. 1)	OBSOLETO
	ROD.DESMO.HK3512=M03650000 ME25636054 (u. 1)	
13	RETEN SELEC.12-22-7 AS-CC =M03821000 ME25636048 (u. 1)	OBSOLETO
	RETEN SELEC.12-22-7 AS-CC =M03821000 0/000.890.9107 (u. 1)	
14	TORN.CENTR.MUELLE SELEC. 0/000.460.9110 (u. 2)	OBSOLETO
	TORN.CENTR.MUELLE SELEC. ME25636042 (u. 2)	
15	MUELLE ESCORPION 250.TT. ME25636039 (u. 1)	
16	ESCORPION EC250-2002 ME250236036 (u. 1)	
17	DOLLA CENTRADOR ESCORPION EC250-2002 ME250236041 (u. 1)	
18	MUELLE SELEC. ME25636035 (u. 1)	
19	EJE SELEC.COMP.EC250 ME250236038CT (u. 1)	OBSOLETO
	EJE SELEC.COMP.EC250 0/005.010.9100 (u. 1)	
20	CTO.PEDAL CAMBIO RF 2014 0/005.430.9100 (u. 1)	OBSOLETO
	CTO.PEDAL CAMBIO RF 2014 ME49000CT-CDH-1 (u. 1)	
21	SEEGER 12X1 EXT.EJE SELEC. ME25636043 (u. 1)	OBSOLETO
	SEEGER 12X1 DIN 471 0/000.300.9104 (u. 1)	
22	TORN.ESP.6x20 10.9 ZINC.(CEX) T0206020 (u. 1)	OBSOLETO
	TORN.ESP.6x20 DIN 6921 GEOMET 10.9 0/000.460.9120 (u. 1)	

**Cárter de Motor**

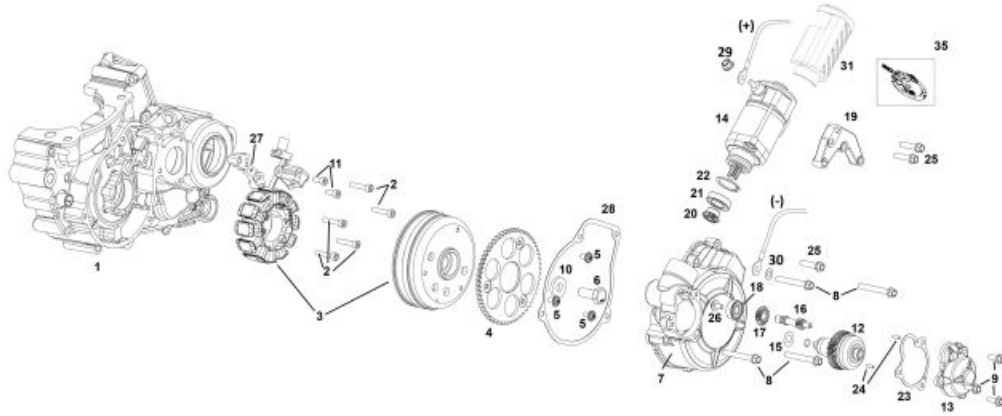


1	JUNTA TAPA EMBR.0.5mm ME25644002 (u. 1)	OBSOLETO
	JUNTA TAPA EMBR.0.5mm 0/000.490.9108 (u. 1)	
2	JUNTA CARTER 2018 0/000.490.9118 (u. 1)	OBSOLETO
	JUNTA CARTER 2018 ME94000GG-CLJ-1 (u. 1)	
3	RACORD ENTRADA AGUA ME57015GG-CAB-1 (u. 2)	OBSOLETO
	RACORD ENTRADA AGUA 0/000.480.9123 (u. 2)	
4	ALLEN 6X60 DIN 912 ZINC 12.9 0/000.460.9150 (u. 1)	OBSOLETO
	ALLEN 6X60 12.9 T0306060 (u. 1)	
6	ESPARRAGO CIL. ME25616023 (u. 4)	OBSOLETO
	ESPARRAGO CIL. 0/000.280.9100 (u. 4)	
7	CASQ.CENTRADOR CARTER 6X9X14 =ME25610018 0/000.480.9119 (u. 4)	OBSOLETO
	CASQ.CENTRADOR CARTER 6X9X14 =ME25610018 M01017000 (u. 4)	
9	GLACIER PEDAL FRENO 1215PD10 C200101 (u. 1)	OBSOLETO
	GLACIER PEDAL FRENO 1215PD10 0/000.480.9117 (u. 1)	

10	TAPON VACIADO ACEITE HEXAGONAL-COLOR TITANIO ME10910GG-CSK-1 (u. 1)	OBSOLETO
	TAPON VACIADO ACEITE HEXAGONAL-COLOR 0/000.410.9104 (u. 1)	
11	GLACIER PEDAL DAP 1212PD BE25610009 (u. 1)	OBSOLETO
	GLACIER PEDAL DAP 1212PD 0/000.480.9105 (u. 1)	
12	TAPON LLENDO ACEITE HEXAGONAL-COLOR TITANIO 0/000.410.9103 (u. 1)	OBSOLETO
	TAPON LLENDO ACEITE HEXAGONAL-COLOR TITANIO ME10900GG-CSK-1 (u. 1)	
13	JUNTA TAPA DISCOS 2014 0/000.490.9104 (u. 1)	OBSOLETO
	JUNTA TAPA DISCOS 2014 ME22015GG-CAB-1 (u. 1)	
14	TAPA DISCOS EMBRAGUE REKLUSE ENDURO 2018 ME22010GG-CRB-1 (u. 1)	
15	TAPA EMBRAGUE GRIS RAL (9006) 0/000.350.9107 (u. 1)	OBSOLETO
	TAPA EMBRAGUE GRIS RAL (9006) ME65000CT-CLJ-1 (u. 1)	
16	KIT JUNTAS MOTOR ENDURO 2018 ME94610CT-CLJ-1 (u. 1)	
17	VISOR NIVEL ACEITE EC400-4T MFS400110015 (u. 1)	OBSOLETO
	VISOR NIVEL ACEITE EC400-4T 0/000.410.9106 (u. 1)	
18	JUNTA TAPA BOMBA AGUA 2014 ME57010GG-CAB-1 (u. 1)	OBSOLETO
	JUNTA TAPA BOMBA AGUA 2014 0/000.490.9115 (u. 1)	
19	TAPA BOMBA AGUA 0/000.220.9124 (u. 1)	OBSOLETO
	TAPA BOMBA AGUA 0/000.220.9124 (u. 1)	
	TAPA BOMBA AGUA GRIS 0/000.350.9106 (u. 1)	
	TAPA BOMBA AGUA GRIS ME57000GG-CLJ-1 (u. 1)	
20	TORN.ESP.6X75 DELTA PROTEK 12.9 0/000.460.9129 (u. 6)	OBSOLETO
	TORN.ESP.6X75 10.9 DRACOMET T0206075 (u. 6)	
21	TORN.ESP.6X25(10.9) VALONA 11MM T0206025 (u. 11)	OBSOLETO
	TORN.ESP.6X25 DIN 6921 GEOMET 10.9 VALONA 11MM 0/000.460.9121 (u. 11)	
22	TORN.ESP.6X10+ARANDELA GEOMET 10.9 0/000.460.9133 (u. 1)	OBSOLETO
	TORN.ESP.6X10+ARANDELA T0226010 (u. 1)	
23	ARANDELA COBRE 6X10X1.5 TORN.VAC.AGUA CI 0/000.440.9122 (u. 1)	OBSOLETO
	ARANDELA COBRE 6X10X1.5 TORN.VAC.AGUA CI T4006008 (u. 1)	

24	TORN.ESP.M6X35 T0206035 (u. 1)	OBSOLETO
	TORN.ESP.M6X35 DIN 6921 GEOMET 0/000.460.9124 (u. 1)	
25	TORN.ESP.6x60 Fil.20 10.9 T0206060 (u. 8)	OBSOLETO
	TORN.ESP.6x60 Fil.20 DELTA PROTEK 10.9 0/000.460.9128 (u. 8)	
26	ALLEN 8X14 T0308014 (u. 1)	
27	ARANDELA COBRE 8X12X1,5 DIN 125 A ISO 7089 0/000.440.9128 (u. 1)	OBSOLETO
	ARANDELA COBRE 8X12X1,5 TORN.VAC.CAM.PRE T4008012 (u. 1)	
28	ARANDELA TIPO BUJIA 12X18X2 MT280410030 (u. 2)	OBSOLETO
	ARANDELA TIPO BUJIA 12X18X2 0/000.440.9114 (u. 2)	
29	Torica 20 x 1.5 NBR 70 0/000.490.9116 (u. 1)	OBSOLETO
	Torica 20 x 1.5 NBR 70 ME65110GG-CEQ-1 (u. 1)	
30	TAPON REGLAJE CENTRIFUGO ME65100GG-CEQ-1 (u. 1)	OBSOLETO
	TAPON REGLAJE CENTRIFUGO 0/000.410.9105 (u. 1)	
31	CTO.CARTERS ENDURO 200 2018 ME10000CT-CLP-1 (u. 1) - 200cc	
	CTO.CARTERS ENDURO 300 2018 ME10000CT-CLJ-1 (u. 1) - 250cc / 300cc	
32	CASQ.CENTRADOR CARTER 6X9X14 =ME25610018 M01017000 (u. 2)	OBSOLETO
	CASQ.CENTRADOR CARTER 6X9X14 =ME25610018 0/000.480.9119 (u. 2)	

**Generador**



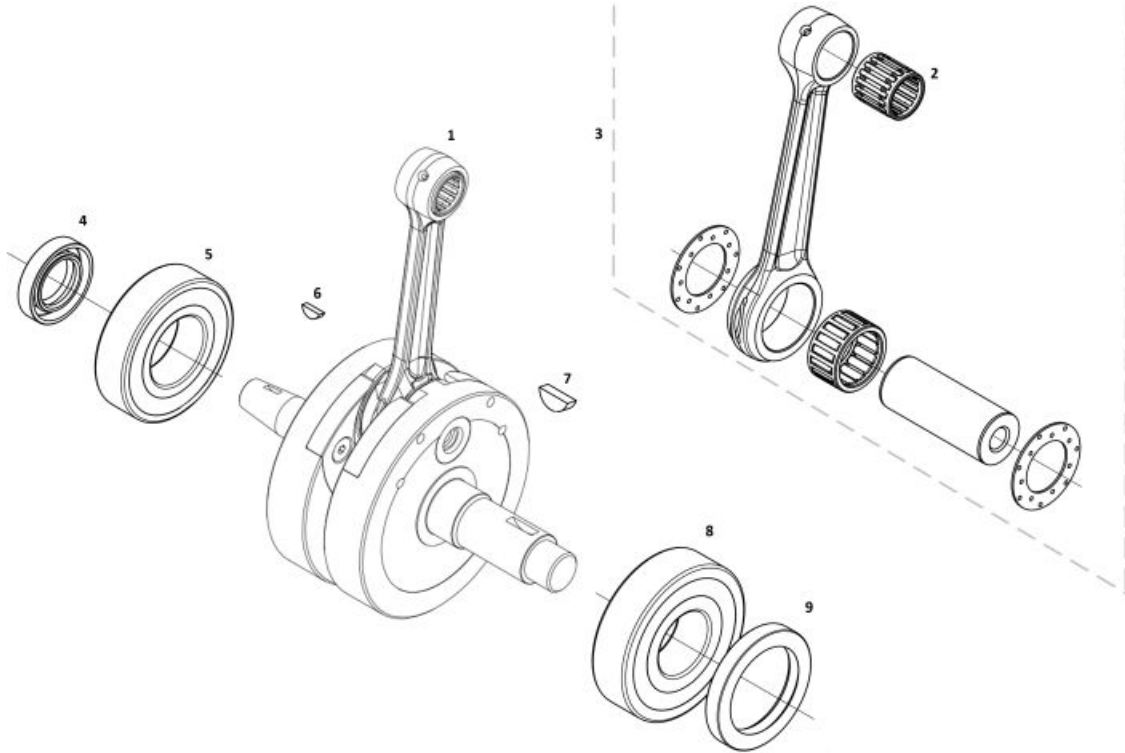
1	KIT ARRANQUE ELECTRICO EC 2015 EE80000CT-CBR-3 (u. 1)	OBSOLETO
	KIT ARRANQUE ELECTRICO EC 2015 0/005.480.9101 (u. 1)	
2	ALLEN 5X25 8.8 DRACOMET T0305025 (u. 5)	OBSOLETO
	ALLEN 5X25 DIN 912 DRACOMET 8.8 0/000.460.9146 (u. 5)	
3	KIT VOLANTE MAGNETICO EC 250-300 2019 EE70000CT-CSK-1 (u. 1)	
4	CORONA ARRANQUE ELECTRICO EC 2015 0/005.400.9102 (u. 1)	OBSOLETO
	CORONA ARRANQUE ELECTRICO EC 2015 EE80200GG-CBR-2 (u. 1)	
5	TORX CABEZA ABOM.ARANDELA 5X8 050808BB (u. 3)	OBSOLETO
	TORX CABEZA ABOM.ARANDELA 5X8 T0455008 (u. 3)	OBSOLETO
	TORX CABEZA ABOM.ARANDELA 5X8 ISO 7380-2 10.9 0/000.460.9154 (u. 3)	
6	EXAG.10X25 VOL.MAG.N.2018 GEOMET 0/000.460.9112 (u. 1)	OBSOLETO
	EXAG.10X25 VOL.MAG.N.2018 T02010025 (u. 1)	
7	TAPA ENCENDIDO EC 2015 ME60100GG-CBR-3 (u. 1)	
8	TORN.ESP.6x40 Fil.20 T0206040 (u. 1)	OBSOLETO
	TORN.ESP.6x40 Fil.20 GEOMET 10.9 0/000.460.9125 (u. 1)	
9	TORN.ESP.+ARAND.5x15 DIN 6921 GEOMET 10.9 0/000.460.9115 (u. 3)	OBSOLETO
	TORN.ESP.+ARAND.5x15 ZI T0205015 (u. 3)	



10	ARANDELA GRUESA 10x23x4 NG. T4001024 (u. 1)	
11	ALLEN 5X10 DIN 912 ZINC 12.9 0/000.460.9145 (u. 2)	
	ALLEN 5X10 T0305010 (u. 2)	OBSOLETO
12	CTO.BENDIX EC 2015 EE80110CT-CBR-1 (u. 1)	
13	TAPA BENDIX EC 2015 EE80130GG-CBR-2 (u. 1)	
14	MOTOR ARRAN.ELEC.EC 2015 PHI50mm EE80000GG-CBR-2 (u. 1)	OBSOLETO
	MOTOR ARRAN.ELEC.EC 2015 PHI50mm 0/005.480.9100 (u. 1)	
15	ARAN.CENTRIF.08.1X17X0.2 =ST950705 ME25616070 (u. 2)	
16	EJE ARRANQUE ELECTRICO Z10 M0.8 EE80120GG-CBR-4 (u. 1)	OBSOLETO
	EJE ARRANQUE ELECTRICO Z10 M0.8 0/005.400.9101 (u. 1)	
18	RODA.EJE CENTRI.Y BOMBA 608.Z.C3 0/000.960.9108 (u. 1)	
	RODA.EJE CENTRI.Y BOMBA 608.Z.C3 ME25616032 (u. 1)	OBSOLETO
19	SOPORTE MOTOR ARRANQUE ELECTRICO EC 2015 EE80050GG-CBR-3 (u. 1)	OBSOLETO
	SOPORTE MOTOR ARRANQUE ELECTRICO EC 2015 0/000.980.9111 (u. 1)	
20	KIT PIÑONES HELECOIDALES ARRANQUE ELECTRICO EC EE80116CT-CBR-1 (u. 1)	
21	COJINETE 61902-2ZC4 EE80070GG-CBR-1 (u. 1)	
22	SEEGER DIN-472-DIAM 28X1.2 EE80055GG-CBR-1 (u. 1)	
23	JUNTA TAPA BENDIX EC 2015 EE80135GG-CBR-1 (u. 1)	
24	AGUJA DIN5402-3 TIPO BF DIAM-3X9.8 PLANA EE80140GG-CBR-1 (u. 2)	
25	TORN.ESP.6X25 DIN 6921 GEOMET 10.9 VALONA 11MM 0/000.460.9121 (u. 3)	
	TORN.ESP.6X25(10.9) VALONA 11MM T0206025 (u. 3)	OBSOLETO
26	TORX M5X12PASO 0.8 CAB. ABOMBADA ARAND. 051208BB (u. 1)	
27	ADAPTADOR PULSADOR HIDRIA EC 2014 V2 0/000.980.9109 (u. 1)	
	ADAPTADOR PULSADOR HIDRIA EC 2014 V2 EE70216GG-CAB-2 (u. 1)	OBSOLETO
28	JUNTA TAPA VOLANTE ME94500GG-CSK-1 (u. 1)	OBSOLETO
	JUNTA TAPA VOLANTE 0/000.490.9119 (u. 1)	
29	TUERCA+ARAN.M-6 ESTR. DIN 6923 ZINC 8 0/000.340.9116 (u. 1)	
	TUERCA+ARAN.M-6 (DIN 6923) ESTR. T2206000 (u. 1)	OBSOLETO

30	ARANDELA PLANA 6X12X1.5 DIN 125 ZINC 0/000.440.9124 (u. 1)	
	ARANDELA PLANA 6X12X1.5 (DIN 125) T4006012 (u. 1)	OBSOLETO
31	TAPA ARRANQUE ELECTRICO ENDURO 2018 EE85100GG-CLJ-1 (u. 1)	OBSOLETO
	TAPA ARRANQUE ELECTRICO ENDURO 2018 0/000.220.9119 (u. 1)	
32	ALLEN 6x45 12.9 T0306045 (u. 1)	OBSOLETO
	ALLEN 6x45 DIN 912 ZINC 12.9 0/000.460.9149 (u. 1)	
33	ALLEN 6x40 12.9 (DIN 912) T0306040 (u. 1)	OBSOLETO
	ALLEN 6x40 DIN 912 ZINC 12.9 0/000.460.9148 (u. 1)	
34	TORN.ESP.6x50 Fil.20 10.9 T0206050 (u. 1)	OBSOLETO
	TORN.ESP.6x50 Fil.20 DIN 6921 GEOMET 10.9 0/000.460.9126 (u. 1)	
35	ESCOBILLAS MOTOR ARRANQUE EC EE80010GG-CBR-1 (u. 1)	

**Cigüeñal**



	CIGUEÑAL EC200-2014 ME30000CT-CBT-1 (u. 1)	<b>OBSOLETO</b>
1	CTO.CIGUEÑAL ENDURO 2018 0/005.380.9100 (u. 1)	
	CTO.CIGUEÑAL ENDURO 2018 ME30000CT-CLJ-1 (u. 1)	<b>OBSOLETO</b>
2	ROD.RV.18X22X21,8 S PIE DE BIELA ME25616035 (u. 1)	
3	CTO.BIELA ENDURO ME25612100 (u. 1)	
4	RETEN LADO IZ.CIG.TCJ 20x35x6/6.5 0/000.890.9103 (u. 1)	
	RETEN LADO IZ.CIG.TCJ 20x35x6/6.5 ME250112009 (u. 1)	<b>OBSOLETO</b>
5	COJINETE CIGUEÑAL IZQUIERDO 6206- TN9/C4 (ABIERTO) 0/000.960.9115 (u. 1)	
	COJINETE CIGUEÑAL IZQUIERDO 6206- TN9/C4 (ABIERTO) ME31010GG-CLJ-1 (u. 1)	<b>OBSOLETO</b>
6	CHAVETA 3x3.7 D.10 DIN 6888 0/005.490.9102 (u. 1)	
	CHAVETA 3x3.7xD10 TRIAL 2002 MT280234016 (u. 1)	<b>OBSOLETO</b>
7	CHAVETA LADO EMBR.(DIAM 16X5X6.5) DIN 6888 0/005.490.9100 (u. 1)	
	CHAVETA LADO EMBR.(DIAM 16X5X6.5) DIN 68 ME31030GG-CAB-1 (u. 1)	<b>OBSOLETO</b>
8	COJINETE CIGUEÑAL DERECHO 63/28-HN3/C3 GXN (ABIERTO) ME31015GG-CLJ-1 (u. 1)	<b>OBSOLETO</b>
	COJINETE CIGUEÑAL DERECHO 63/28-HN3/C3 GXN (ABIERTO) 0/000.960.9116 (u. 1)	

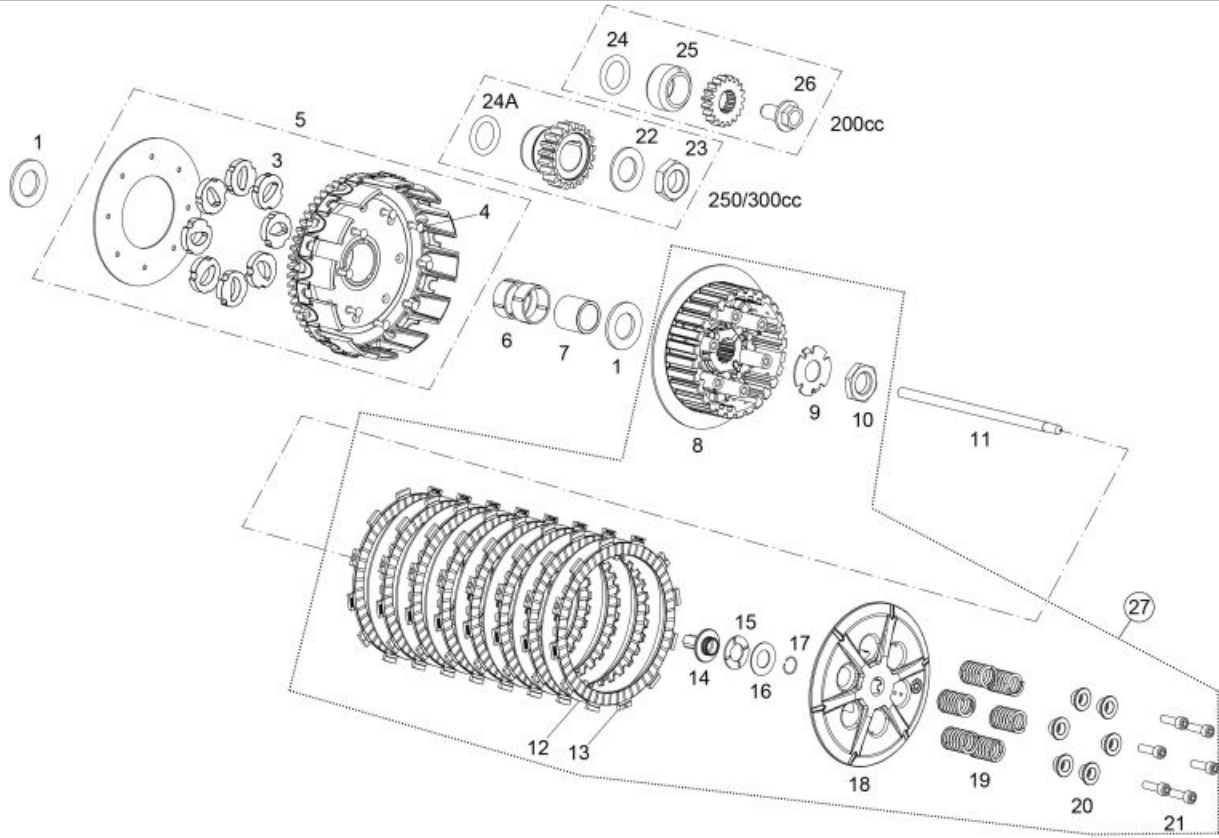
9

RETEN DCH.O.CIGUEÑAL TB2J 38-52 7  
0/000.890.9102 (u. 1)

RETEN DCH.O.CIGUEÑAL TB2J 38-52 7  
ME250112008 (u. 1)

**OBSOLETO**

**Embrague**

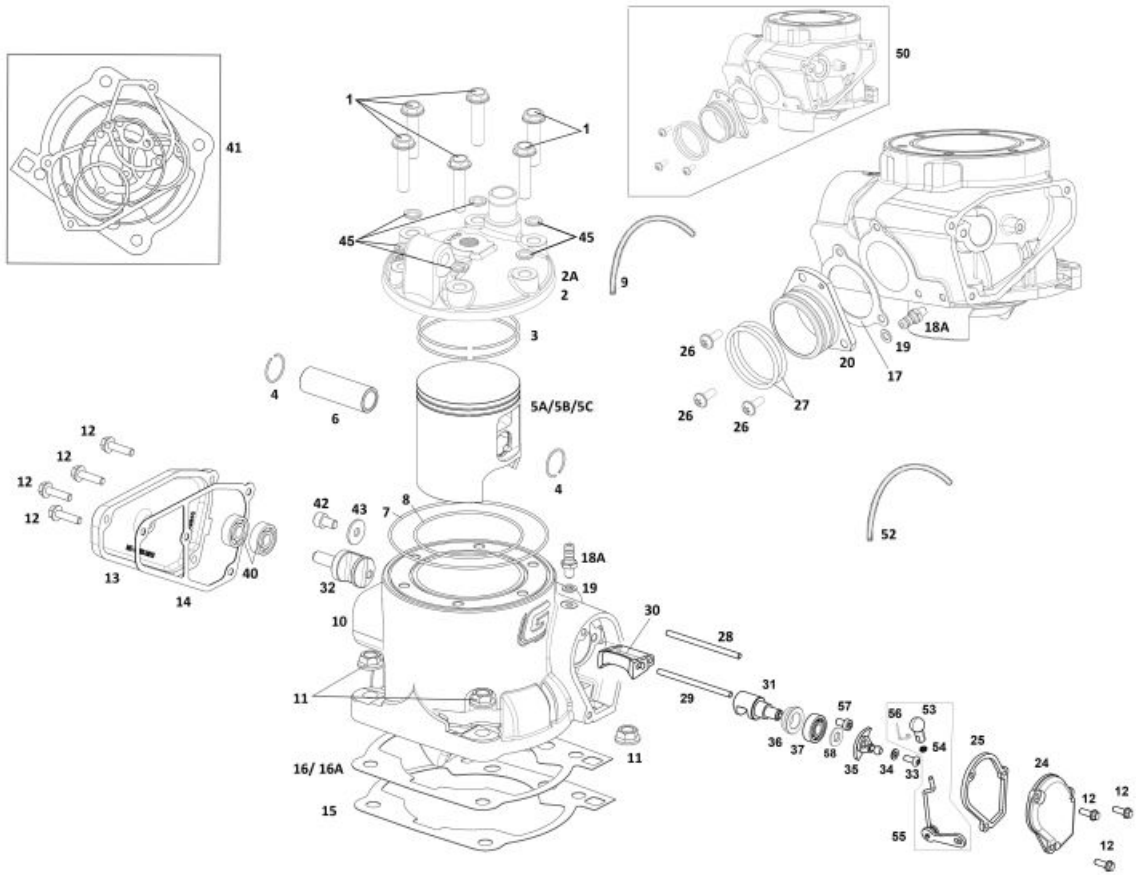


1	ARAN.CAMPANA EMBRAG.22.1X42X2.8 0/000.440.9106 (u. 2)	
2	ARAN.CAMPANA EMBRAG.22.1X42X2.8 ME25632011 (u. 2)	<b>OBSOLETO</b>
3	ARANDELA CORONA EMBR. ME20932009 (u. 1)	
4	GOMA SILENBLOC EMBRAGUE REKLUSE ME22030GG-CRB-1 (u. 8)	
5	TORNILLO CAMPANA EMBRAGUE REKLUSE ME22040GG-CRB-1 (u. 8)	
6	CTO.CORONA EMBRAGUE ENDURO GP 250-300 2018 ME21000CT-CRB-1 (u. 1)	
7	COJI.CAMP.EMB.K28X33X13FV-M1 M3 ME25632029 (u. 2)	<b>OBSOLETO</b>
8	COJI.CAMP.EMB.K28X33X13FV-M1 M3 0/000.980.9113 (u. 2)	
9	CASQ.CAMPANA EMBR. ME25632012 (u. 1)	<b>OBSOLETO</b>
10	CASQ.CAMPANA EMBR. 0/000.480.9121 (u. 1)	
11	CUBO EMBRAGUE ENDURO 2018 ME22005GG-CLJ-1 (u. 1)	
12	ARANDELA PRECINTO CORONA EMBRAGUE ENDURO 2018 ME21120GG-CLJ-1 (u. 1)	<b>OBSOLETO</b>
13	ARANDELA PRECINTO CORONA EMBRAGUE ENDURO 2018 0/000.440.9104 (u. 1)	
14	TUERCA FIJ.CUBO EMB. ME25632028 (u. 1)	<b>OBSOLETO</b>
15	TUERCA FIJ.CUBO EMB. 0/000.340.9107 (u. 1)	

11	VARILLA EMBR. 0/000.190.9105 (u. 1)	
	VARILLA EMBR. ME25632040 (u. 1)	OBSOLETO
12	DISCOS EMBRAGUE HIERRO ME22105GG-CLJ-1 (u. 7)	
13	DISCOS EMB.FORRADO 7138 ME25632007 (u. 8)	
14	CASQ.PREMSA EMBR.EC 2014 (CLUTCH PIN) 0/000.480.9120 (u. 1)	
	CASQ.PREMSA EMBR.EC 2014 (CLUTCH PIN) ME23100GG-CAB-1 (u. 1)	OBSOLETO
15	JAULA AGUJA VALV.ESCAPE AXK 1528 0/000.960.9109 (u. 1)	
	JAULA AGUJA VALV.ESCAPE AXK 1528 ME25632046 (u. 1)	OBSOLETO
16	PLACA AGUJA ROD. BOLET Y VAL. ESCAPE AS 15 ME25632016 (u. 1)	OBSOLETO
	PLACA AGUJA ROD. BOLET Y VAL. ESCAPE AS 15 0/000.440.9107 (u. 1)	
17	ANILLO PREMSA EMBR.2014 (DIN7993 Ø14X1) ME23150GG-CAB-1 (u. 1)	OBSOLETO
	ANILLO PREMSA EMBR. DIN7993 Ø14X1 0/000.300.9102 (u. 1)	
18	PREMSA PLATO ENDURO 2018 ME23000GG-CLJ-1 (u. 1)	
19	MUELLE EMBRAGUE EC-2018 ME22025GG-CLJ-1 (u. 6)	
20	CASQ.MUELLE EMBR. EC-2018 ME22020GG-CLJ-1 (u. 6)	
21	ALLEN 6X25 TA.EMB,CART,SUSP.12.9 T0306025 (u. 6)	
22	ARANDELA DIN 125 PULIDA D-20 ZINC 40-42HRC 0/000.440.9108 (u. 1)	
	ARAN.BISEL.D.20 / 125-B-M 5.6 PULIDA PIÑ ME25632019 (u. 1)	OBSOLETO
23	TUERCA BLOCAJE PIÑON CIGUEÑAL EC-2000 ME250032018 (u. 1)	OBSOLETO
	TUERCA BLOCAJE PIÑON CIGUEÑAL EC-2000 0/000.340.9106 (u. 1)	
24	TORICA PIÑON PRIM.EMBR.(Ø23*5 NBR) 0/000.490.9106 (u. 1)	
	JUNTA TORICA 20X1 ST950207 (u. 1)	OBSOLETO
	TORICA PIÑON PRIM.EMBR.(Ø23*5 NBR) ME21180GG-CAB-1 (u. 1)	OBSOLETO
25	CASQ.CIGUEÑAL 25X38X20 0/000.480.9127 (u. 1)	
	CASQ.CIGUEÑAL 25X38X20 ME200512014 (u. 1)	OBSOLETO
26	TORN.ESP.12X25X1.25 FIL.20 12.9 GEOMET 0/000.460.9114 (u. 1)	
	TORN.ESP.12X25X1.25 FIL.20 12.9 T02012025 (u. 1)	OBSOLETO

27	CTO.CUBO EMBR.ENDURO 2018 ME22005CT-CLJ-1 (u. 1)	OBSOLETO
	CTO.CUBO EMBR.ENDURO 2018 0/005.350.9100 (u. 1)	

**Cilindro**



1	TORN.EXAG.+ARAND 8X35 DELTA PROTEK 10.9 0/000.460.9130 (u. 6)	
	TORN.EXAG.+ARAND 8X35 T0208035 (u. 6)	<b>OBSOLETO</b>
2	CULATA ENDURO GP 300 2018 ME75000GG-CRB-1 (u. 1) - 300cc	
	CULATA ENDURO GP 250 2018 ME75000GG-CRC-1 (u. 1) - 250cc	
3	JUEGO AROS PISTON TT-200 ME20916040 (u. 1) - 200cc	
	JUEGO AROS PISTON TT 250 ME25616040 (u. 1) - 250cc	
	JUEGO AROS PISTON TT-300 2835CD ME30916040 (u. 1) - 300cc	
4	JUEGO CLIP BULON TT 250 ME25616126 (u. 2)	
5C	PISTON 300CC C ME30916122R (u. 1) - 300cc	
	PISTON 66.35 250 ENDURO C ME25616122R (u. 1) - 250cc	
5B	PISTON TT 200 62.46 B ME20816121 (u. 1) - 200cc	
	PISTON 250 ENDURO B ME25616121R (u. 1) - 250cc	
	PISTON TT 300 71.95 B ME300416121 (u. 1) - 300cc	



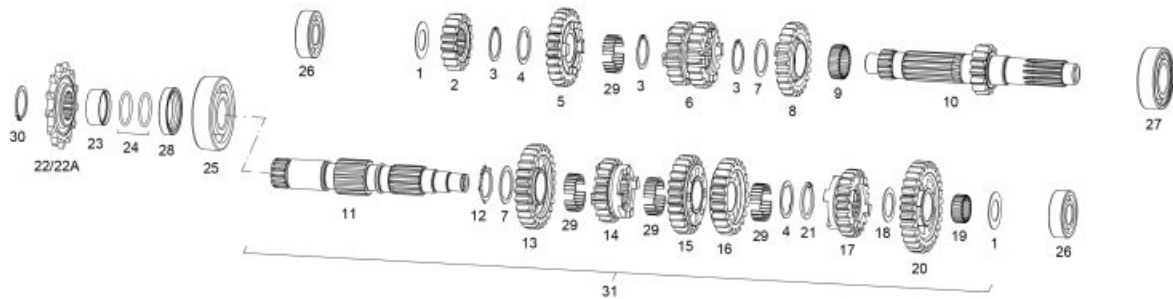
5A	PISTON TT 250 66.33 NOIR ME25616020R (u. 1) - 250cc	
	PISTON TT 300 EC-2004 ME300416020 (u. 1) - 300cc	
	PISTON TT 200 62.45 A ME20816020 (u. 1) - 200cc	
6	BULON PISTON TT 250 ME25616125 (u. 1)	
7	TORICA CULATA EXT.107.67x1.78 0/000.490.9109 (u. 1)	
	TORICA CULATA EXT.107.67x1.78 ME25916060 (u. 1)	OBSOLETO
	TORICA CULATA EXT.107.67x1.78 0/000.490.9109 (u. 1)	
	TORICA CULATA EXT.107.67x1.78 ME25916060 (u. 1)	OBSOLETO
8	TORICA CULATA INTER.75.92X1.78 VITON ME30916065 (u. 1)	OBSOLETO
	TORICA CULATA INT.VITON 72.7x1.78 0/000.490.9110 (u. 1)	
	TORICA CULATA INTER.75.92X1.78 VITON 0/000.490.9111 (u. 1)	
	TORICA CULATA INT.VITON 72.7x1.78 ME25916065 (u. 1)	OBSOLETO
9	TUBO DESV.CARTER (55 cm.) ME25610022 (u. 1)	
10	CTO.CILINDRO ENDURO 250 2018 ME70000GG-CLK-1 (u. 1) - 250cc	
	CILINDRO ENDURO 200 2018 ME70000GG-CLP-1 (u. 1) - 200cc	
	CILINDRO ENDURO 300 2018 ME70000GG-CLJ-1 (u. 1) - 300cc	
11	TUERCA DIN 6923 ZINC 8.8 ESP.10/150 C13 0/000.340.9105 (u. 4)	
	TUERCA CIL.8.8 ESP.10/150 C13 =ME2561603 M01613001 (u. 4)	OBSOLETO
12	TORN.ESP.+ARAND.5x15 DIN 6921 GEOMET 10.9 0/000.460.9115 (u. 7)	
	TORN.ESP.+ARAND.5x15 ZI T0205015 (u. 7)	OBSOLETO
13	TAPA VALV.IZQ.EC 2013 0/000.350.9104 (u. 1)	
	TAPA VALV.IZQ.EC 2013 ME100033013 (u. 1)	OBSOLETO
14	JUNTA TAPA VAL.IZDA.EC 2013 ME440063013 (u. 1)	OBSOLETO
	JUNTA TAPA VAL.IZDA.EC 2013 0/000.490.9113 (u. 1)	
15	JUNTA CIL.0.15 ME25644010 (u. 1)	
16	JUNTA CILINDRO 0,5 METALICA CON SILICONA ENDURO 2018 0/000.490.9112 (u. 1)	
	JUNTA CILINDRO METALICA CON SILICONA ENDURO 2018 ME44000GG-CLJ-1 (u. 1)	OBSOLETO
16A	JUNTA CIL.0.3 ME25644009 (u. 1)	

17	JUNTA ESCAPE ME25644012 (u. 1)	
18A	DESVAP.CARTER D.3=ME25610012 M01032001 (u. 2)	OBSOLETO
	DESVAP.CARTER D.3=ME25610012 0/000.630.9105 (u. 2)	
19	ARANDELA FIBRA 6X10X1.5 0/000.440.9123 (u. 2)	
	ARANDELA FIBRA 6X10X1.5 T4006010 (u. 2)	OBSOLETO
20	TUBERA ESCAPE 2005 ME250516019 (u. 1)	
24	TAPA VALV.DCH.EC300 2014 ME72020GG-CAB-1 (u. 1)	OBSOLETO
	TAPA VALV.DCH.EC300 2014 0/000.350.9108 (u. 1)	
25	JUNTA TAPA VALV.DER.4mm ME70055GG-CEQ-1 (u. 1)	OBSOLETO
	JUNTA TAPA VALV.DER.4mm 0/000.490.9117 (u. 1)	
26	ULS TORX 6X14 DIN 7380-1 ZINCADO 10.9 T0566014 (u. 3)	
27	TORICA TUBERA ESCAPE 44X3 FP (viton) BE250526006 (u. 2)	
28	EJE VALV.ESCAP LARGO 93mm. ME25616027 (u. 1)	
29	EJE VALV.ESCAPE CORTO 83mm. ME25616017 (u. 1)	
30	VALVULA CENTRAL ENDURO 250 2018 ME72005GG-CLK-1 (u. 1)	
	valv.escape central ec 200 2019 ME72005GG-CSM-1 (u. 1) - 250cc / 300cc	
	VALVULA CENTRAL ENDURO 250 2018 ME72005GG-CLK-1 (u. 1)	
31	VALVULA DERECHA ENDURO 250 2018 ME72000GG-CLK-1 (u. 1)	
32	VALVULA IZQUIERDA ENDURO 250 2018 ME72010GG-CLK-1 (u. 1)	
	0/000.460.2000 (u. 1)	
33	ULS 5X10 BN13255 10.9 LAMINAS ZIN. T0505010 (u. 1)	OBSOLETO
34	ARANDELA 5X12X1.5 T4005012 (u. 1)	OBSOLETO
	ARANDELA 5X12X1.5 DIN 125A ZINC 0/000.440.9121 (u. 1)	
35	CTO.PALANCA VALV.ESCAPE EC 2015 0/000.640.9103 (u. 1)	
	CTO.PALANCA VALV.ESCAPE EC 2015 ME72320CT-CEQ-1 (u. 1)	OBSOLETO
36	DIST.COJINETE VALV.ESCAPE ME25616036 (u. 1)	
37	RODAM.BOMBA AGUA 6000C3Z =M03313001 ME25610010 (u. 1)	OBSOLETO
	RODAM.BOMBA AGUA 6000C3Z =M03313001 0/000.960.9107 (u. 1)	

40	RODA.EJE CENTRI.Y BOMBA 608.Z.C3 ME25616032 (u. 2)	OBSOLETO
	RODA.EJE CENTRI.Y BOMBA 608.Z.C3 0/000.960.9108 (u. 2)	
41	KIT JUNTAS DE CIL.CULATA 300C.C. ME94620CT-CAB-1 (u. 1) - 300cc	
42	ALLEN 6X10 8.8 BOB. T0306010 (u. 2)	
43	ARANDELA 6X18X1.5 DIN 9021 ZINC 0/000.440.9126 (u. 1)	OBSOLETO
	ARANDELA 6X18X1.5 (DIN 9021) T4006018 (u. 1)	
44	ARANDELA PLANA 6X12X1.5 (DIN 125) T4006012 (u. 1)	OBSOLETO
	ARANDELA PLANA 6X12X1.5 DIN 125 ZINC 0/000.440.9124 (u. 1)	
45	ARANDELA COBRE 8.5x16x1.5 DIN 125 A ISO 7090 0/000.440.9130 (u. 6)	OBSOLETO
	ARANDELA COBRE 8.5x16x1.5 T4008516 (u. 6)	
50	CTO.CILINDRO ENDURO 300 2018 ME70000CT-CLJ-1 (u. 1)	OBSOLETO
	CTO.CILINDRO ENDURO 250 2018 0/005.190.9101 (u. 1)	
	CTO.CILINDRO ENDURO 200 2019 ME70000CT-CSM-1 (u. 1)	OBSOLETO
	CTO.CILINDRO ENDURO 300 2018 0/005.190.9100 (u. 1)	
	CTO.CILINDRO ENDURO 200 2019 0/005.190.9102 (u. 1)	
	CTO.CILINDRO ENDURO 250 2018 ME70000CT-CLK-1 (u. 1)	OBSOLETO
51	ARANDELA COBRE 6X10X1.5 TORN.VAC.AGUA CI T4006008 (u. 2)	OBSOLETO
	ARANDELA COBRE 6X10X1.5 TORN.VAC.AGUA CI 0/000.440.9122 (u. 2)	
52	TUBO RESPIRADERO VALV.S EC-2009 BE733001209 (u. 1)	
53	ROTULA DIN-71805 0/000.340.9108 (u. 1)	OBSOLETO
	CTO.VARILLA VALV.ESCAPE COMPLETO EC 2015 ME72325CT-CEQ-1 (u. 1)	
	CTO.VARILLA VALV.ESCAPE COMPLETO EC 2015 0/000.640.9104 (u. 1)	
54	ROTULA DIN-71805 ME72324GG-CEQ-1 (u. 1)	OBSOLETO
	TUERCA M 3.5X0.6 T2503006 (u. 1)	OBSOLETO
55	CTO.VARILLA VALV.ESCAPE COMPLETO EC 2015 ME72325CT-CEQ-1 (u. 1)	OBSOLETO
	CTO.VARILLA VALV.ESCAPE COMPLETO EC 2015 0/000.640.9104 (u. 1)	
56	CLIP DE SEGURIDAD ROTULA ME72326GG-CEQ-1 (u. 1)	OBSOLETO
	CLIP DE SEGURIDAD ROTULA 0/000.840.9103 (u. 1)	

58	CASQUILLO SEPARADOR COJINETE VALV.ESCAPE 0/000.480.9124 (u. 1)	
	CASQUILLO SEPARADOR COJINETE VALV.ESCAPE ME71100GG-CEQ-1 (u. 1)	OBSOLETO
59	TORNILLO ESPECIAL CON ARANDELA 5x20 T0205020 (u. 1)	OBSOLETO
	TORNILLO ESPECIAL CON ARANDELA 5x20 GEOMET 0/000.460.9117 (u. 1)	

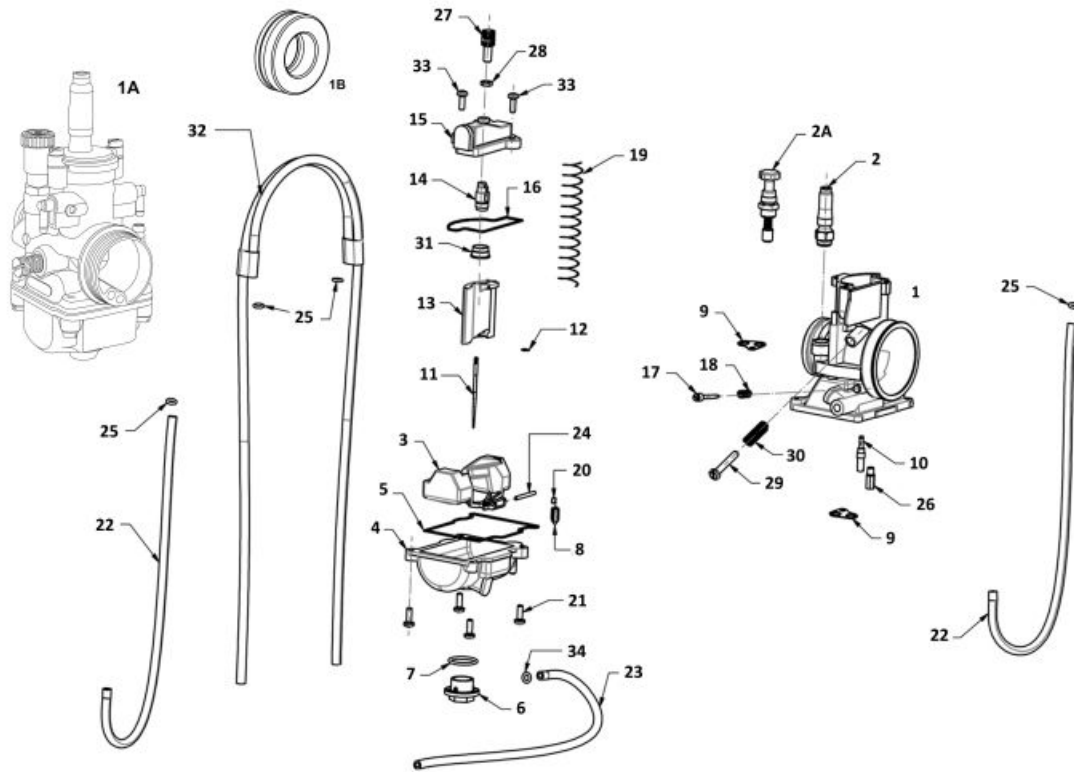
**Cambio**



1	ARANDELA 18X31.5X0.7 CAMBIO ME25636014 (u. 2)	
2	PIÑON PRIMARIO II Z-16 ME25636071 (u. 1)	
3	CIRCLIP D.25 DIN 471 0/000.300.9107 (u. 3) CIRCLIP D.25 DIN 471 ME25936084 (u. 3)	<b>OBSOLETO</b>
4	ARANDELA 31.5X(25X22)X1 SEC.3-4 ESTR.CAM ME25636091 (u. 2)	
5	PIÑON PRIMARIO VI Z-24 ME25636074 (u. 1)	
6	PIÑON PRIMARIO III Y IV ME25636072 (u. 1)	
7	ARANDELA 25.2X31.5X1 CAMBIO ME25636017 (u. 2)	
8	PIÑON PRIMARIO V Z-23 ME25636073 (u. 1)	
9	COJINETE AGUJAS K25-29-10 0/000.960.9104 (u. 1) COJINETE AGUJAS K25-29-10 M02616000 (u. 1)	<b>OBSOLETO</b>
10	EJE PRIMARIO EC 250-2002 ME250236070 (u. 1)	
11	EJE SECUNDARIO EC 08 ME410002508 (u. 1)	
12	CIRCLIP D.25 DIN 983 =25049255 ME25636095 (u. 1)	
13	PIÑON SECUNDARIO II 7-26 ME250136077 (u. 1)	
14	PIÑON SECUNDARIO VI Z-19 ME250136081 (u. 1)	
15	PIÑON SECUNDARIO III Z-24 ME25636078 (u. 1)	
16	PIÑON SECUNDARIO IV Z-22 ME25636079 (u. 1)	
17	PIÑON SECUNDARIO V Z-21 ME25636080 (u. 1)	

18	ARANDELA 20.8X29X1 CAMBIO ME25636016 (u. 1)	
19	RODA.AGUJ.K20X24X10 0/000.960.9114 (u. 1)	
	RODA.AGUJ.K20X24X10 ME25636059 (u. 1)	OBSOLETO
20	PIÑON SECUNDARIO I Z-29 ME25636076 (u. 1)	
21	CIRCLIP D.25 DIN 471 REBAIXAD D.2 SE03025200009 (u. 1)	
22	PIÑON SALIDA TG421X13T 0/005.400.9112 (u. 1)	
	PIÑON SALIDA TG421X13T ME25636025 (u. 1)	OBSOLETO
22A	PIÑON SALIDA TG421X12T MF25836025 (u. 1)	OBSOLETO
	PIÑON SALIDA TG421X12T 0/005.400.9113 (u. 1)	
23	DOLLA RETEN SALIDA CAMBIO ME25636046 (u. 1)	OBSOLETO
	DOLLA RETEN SALIDA CAMBIO 0/000.260.9100 (u. 1)	
24	TORICA 25 X 2 NBR PIÑ SAL. ME25632025 (u. 2)	OBSOLETO
	TORICA 25 X 2 NBR PIÑ SAL. 0/000.490.9107 (u. 2)	
25	RODAM.CAMBIO 6305 C3 ME25636058 (u. 1)	OBSOLETO
	RODAM.CAMBIO 6305 C3 0/000.960.9113 (u. 1)	
26	RODAM.CAMBIO 6203C3 ME25636057 (u. 2)	OBSOLETO
	RODAM.CAMBIO 6203C3 0/000.960.9112 (u. 2)	
27	RODAM.CAMBIO 6205-RSH/C3 0/000.960.9106 (u. 1)	
	RODAM.CAMBIO 6205-RSH/C3 ME250136056 (u. 1)	OBSOLETO
28	RETEN 30X40X7 DOBLE LABIO.PIÑ.SAL. ME25636024 (u. 1)	OBSOLETO
	RETEN 30X40X7 DOBLE LABIO.PIÑ.SAL. 0/000.890.9106 (u. 1)	
29	JAULA AGUJAS KD22x25x9.8 GRUPO CAMBIO ME250236102 (u. 4)	OBSOLETO
	JAULA AGUJAS KD22x25x9.8 GRUPO CAMBIO 0/005.150.9101 (u. 4)	
30	CIRCLIP D.25 DIN 471 ME25936084 (u. 1)	OBSOLETO
	CIRCLIP D.25 DIN 471 0/000.300.9107 (u. 1)	
31	CTO.CAMBIO COMP.EC-2008 ME40000CT2508 (u. 1)	OBSOLETO
	CTO. CAMBIO MARCHAS 0/005.400.9107 (u. 1)	
	CTO. CAMBIO MARCHAS ME40000CT-CSK-1 (u. 1)	OBSOLETO

**Carburador**



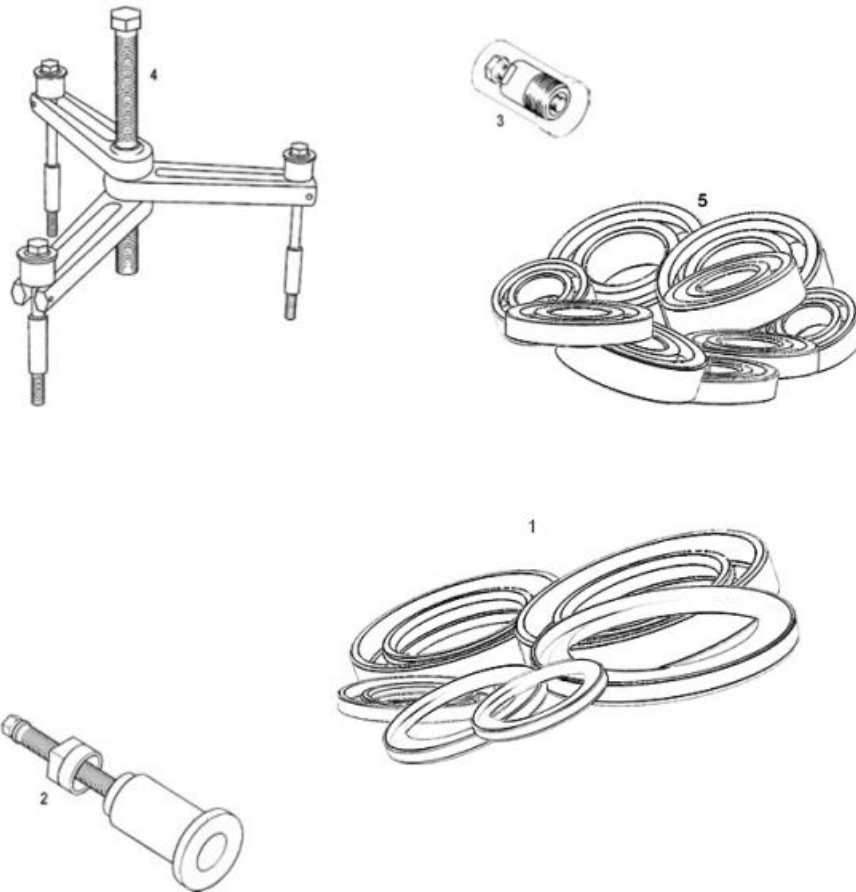
1	CARBURADOR KEIHIN PWK 38 MANDO STARTER 10FK-A73Z-00A0_ BE78000GG-CSK-1 (u. 1)	<b>OBSOLETO</b>
	CARBURADOR KEIHIN PWK 38 MANDO STARTER 10FK-A73Z-00A0_ 0/005.155.9100 (u. 1)	
1A	CARBURADOR PHBG 21 DS ENDURO 73/33 CAMPANA 40 BE78000GG-EKF-1 (u. 1)	<b>OBSOLETO</b>
	CARBURADOR PHBG 21 DS ENDURO 73/33 CAMPANA 40 0/005.155.9103 (u. 1)	
1B	ADAPTADOR CARBURADOR DELL ORTO ENDURO 2018 0/005.150.9102 (u. 1)	
	ADAPTADOR CARBURADOR DELL ORTO ENDURO 2018 BE78100GG-CLJ-1 (u. 1)	<b>OBSOLETO</b>
2A	MANDO ESTARTER 1166-818-2101 ME25690011 (u. 1)	
2	PERILLA AHOGADOR ME25000173012 (u. 1)	
3	BOYA FLOTADOR 1052-856-2101 ME25000183012 (u. 1)	
4	CUBETA FLOTADOR 1050-898-2102 ME25000193012 (u. 1)	
5	JUNTA CUBETA FLOTADOR 1051-KZ40-0001 ME25000203012 (u. 1)	
6	TAP.CUBETA 1018-ND4-7511 ME25690015 (u. 1)	
7	TORICA TAP.CUBETA 16173-001-0040 ME25690016 (u. 1)	
8	AGUJA FLOTADOR 1062-814-2103 ME25000213012 (u. 1)	
9	SUJECCIÒN TUBO RESPIRADERO 1531-KZ4H-690 ME25000223012 (u. 1)	

10B	CHICLE RALENTI 42 N424-21042 ME25690042 (u. 1)	
10A	CHICLE RALENTI 45 ME25690045 (u. 1)	OBSOLETO
11	AGUJA KEIHIN N1EF 0/005.150.9100 (u. 1)	
	AGUJA KEIHIN N1EF ME250190429 (u. 1)	OBSOLETO
11C	AGUJA NOZH N427-OZH00 ME120690435 (u. 1)	
11B	AGUJA KEIHIN N1EG (N427-1EG00) ME250290428 (u. 1)	
11A	AGUJA KEIHIN N1EE (N427-1EE00) ME250290427 (u. 1)	
12	CLIP AGUJA 16115-169-0040 ME25690021 (u. 1)	
13	COMPUERTA N°7 N502-66F00 ME25000233012 (u. 1)	OBSOLETO
	COMPUERTA N°7 N502-66F00 0/005.150.9103 (u. 1)	
14	FIJADOR AGUJA-CABLE 1101-804-2001 ME25690023 (u. 1)	
15	TAP.COMPUERTA 1030-A92A-0000 ME25000243012 (u. 1)	
16	JUNTA TORICA TAP.COMPUERTA 1202-882-6000 ME25000253012 (u. 1)	
17	TORN.REGUL. ME25000263012 (u. 1)	
18	MUELLE TORN.REGUL.AIRE 1300-416H-9900 ME25000273012 (u. 1)	
19	MUELLE COMPUERTA 1290-A53-2000 ME25000283012 (u. 1)	
20	CLIP NIVEL FLOTADOR 0405-019-1000 ME25690027 (u. 1)	
21	TORN.CUBETA 93500-04014-1H ME25000293012 (u. 4)	
22	TUBO RESPIRADERO 0803-868-0000 ME25000303012 (u. 2)	
23	TUBO RESPIRADERO-2 0803-869-0000 ME25000313012 (u. 1)	
24	EJE FLOTADOR W9525-25250 ME25690033 (u. 1)	
25	CLIP TUBO RESPIRADERO W9535-35000 ME25690034 (u. 4)	
26	CHICLE ALTA 175 (99101-357-1750) ME25690175 (u. 1)	
27	TENSOR CABLE W9581-59250 ME25000323012 (u. 1)	
28	TUERCA TENSOR CABLE 1793-130H-9900 ME25000333012 (u. 1)	OBSOLETO
29	TORN.REGUL.RALENTI 1034-853-2000 ME25690038 (u. 1)	
30	MUELLE TORN.REG.1290-963-2000 ME25690039 (u. 1)	
31	CASQ.MUELLE COMP.1118-929-7000 ME25690040 (u. 1)	



<b>32</b>	TUBO VENTILACIÒN 0803-862-0100 ME25000343012 (u. 1)
<b>33</b>	TORN.TAP.COMPUERTA ME25000353012 (u. 2)
<b>34</b>	CLIP TUBO RESPIRADERO-2 W9535-25000 ME25000363012 (u. 1)
<b>35</b>	CTO.TOPE MANDO DE GAS CARBURADOR 2006 ME250690010 (u. 1)

## Herramientas Motor



1	KIT RETENES EC-250/300 2010 ME906002510 (u. 1)	
2	EXTRACTOR COJINETE CIGUEÑAL ME25950000 (u. 1)	OBSOLETO
3	EXTRACTOR VOL.MAG.N.TRIAL 2002 MT280234045 (u. 1)	
4	EXTRACTOR CARTER ME25950005 (u. 1)	OBSOLETO
5	KIT COJINETES MOTOR EC 250 300 2018 ME90500CT-CLJ-1 (u. 1)	